

US00D792725S

(12) **United States Design Patent**  
**Patir**

(10) **Patent No.:** **US D792,725 S**

(45) **Date of Patent:** **\*\* Jul. 25, 2017**

(54) **SEATING FURNITURE**

(71) Applicant: **Seref Patir**, Munich (DE)

(72) Inventor: **Seref Patir**, Munich (DE)

(\*\*) Term: **15 Years**

(21) Appl. No.: **29/569,473**

(22) Filed: **Jun. 28, 2016**

(30) **Foreign Application Priority Data**

Jan. 29, 2016 (EM) ..... 002964114-0002

(51) **LOC (10) Cl.** ..... **06-01**

(52) **U.S. Cl.**  
USPC ..... **D6/716; D6/364; D6/356**

(58) **Field of Classification Search**  
USPC ..... D6/334-336, 356, 364, 365, 366, 374,  
D6/379, 716, 716.1, 716.3, 716.4, 716.5  
CPC ..... A47C 3/18; A47C 4/028; A47C 7/004;  
A47C 7/022; A47C 7/18; A47C 7/24;  
B60N 2/46; B60N 2/48; B60N 2/4802  
See application file for complete search history.

(56) **References Cited**

**U.S. PATENT DOCUMENTS**

3,642,320 A \* 2/1972 Ward ..... A47C 3/18  
297/344.18  
D336,791 S \* 6/1993 Stidd ..... D6/356

5,297,849 A \* 3/1994 Chancellor ..... A47C 7/004  
297/344.12  
D349,820 S \* 8/1994 Schaevitz ..... D6/364  
D361,674 S \* 8/1995 Carter, Sr. .... D6/335  
D372,132 S \* 7/1996 Infanti ..... D6/364  
D494,788 S \* 8/2004 True ..... D6/716  
D495,907 S \* 9/2004 True ..... D6/366  
D531,434 S \* 11/2006 True ..... D6/716  
D534,747 S \* 1/2007 True ..... D6/366

\* cited by examiner

*Primary Examiner* — Mimoso De

(74) *Attorney, Agent, or Firm* — Baker & Hostetler LLP

(57) **CLAIM**

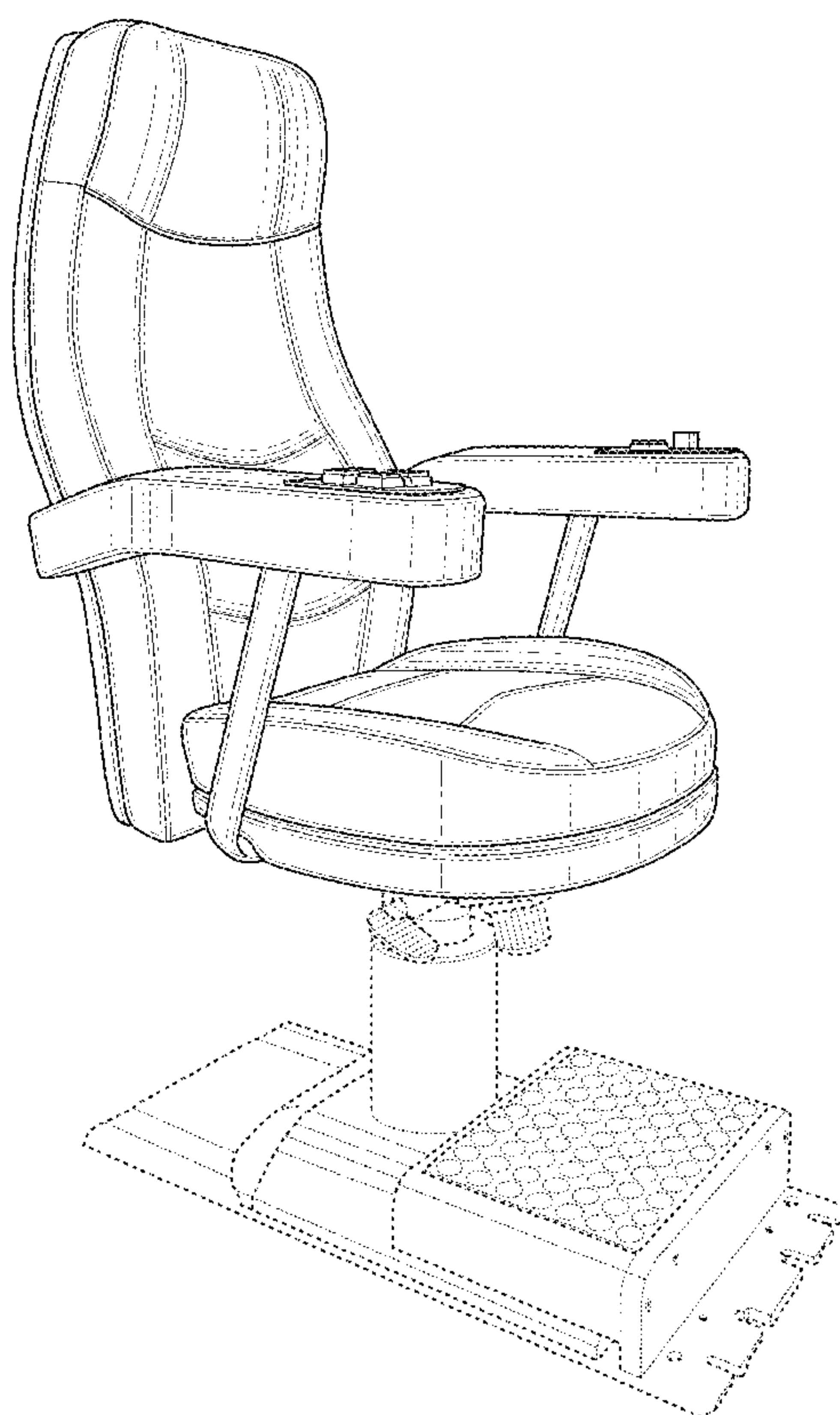
The ornamental design for a seating furniture, as shown and described.

**DESCRIPTION**

FIG. 1 is a side perspective view of the seating furniture showing the new design;  
FIG. 2 is a rear perspective view thereof;  
FIG. 3 is another rear perspective view thereof;  
FIG. 4 is a left side view thereof;  
FIG. 5 is a right side view thereof;  
FIG. 6 is a front view thereof; and,  
FIG. 7 is a rear view thereof.

The broken lines included in the drawings are for illustrative purposes and form no part of the claimed design.

**1 Claim, 7 Drawing Sheets**



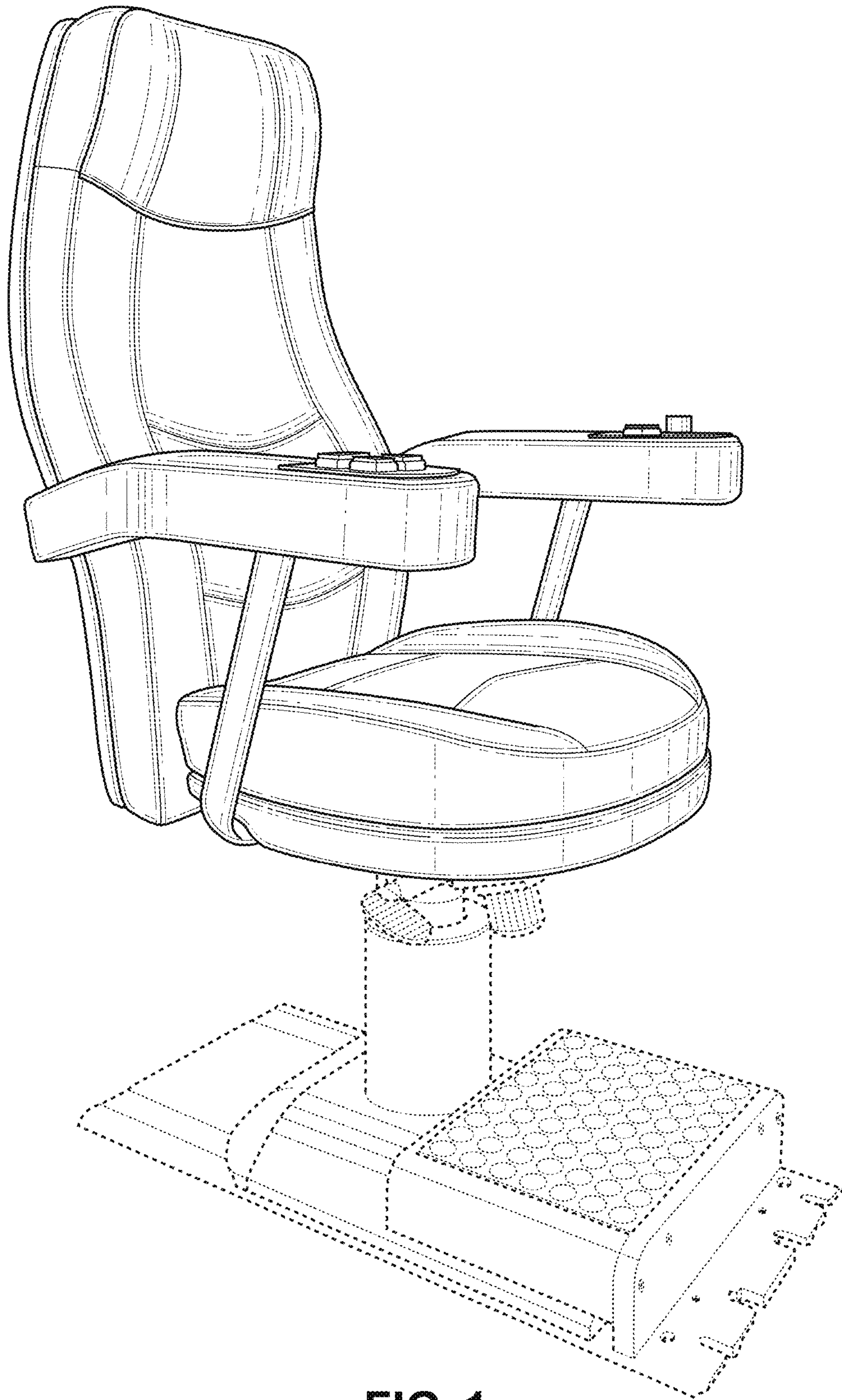


FIG. 1

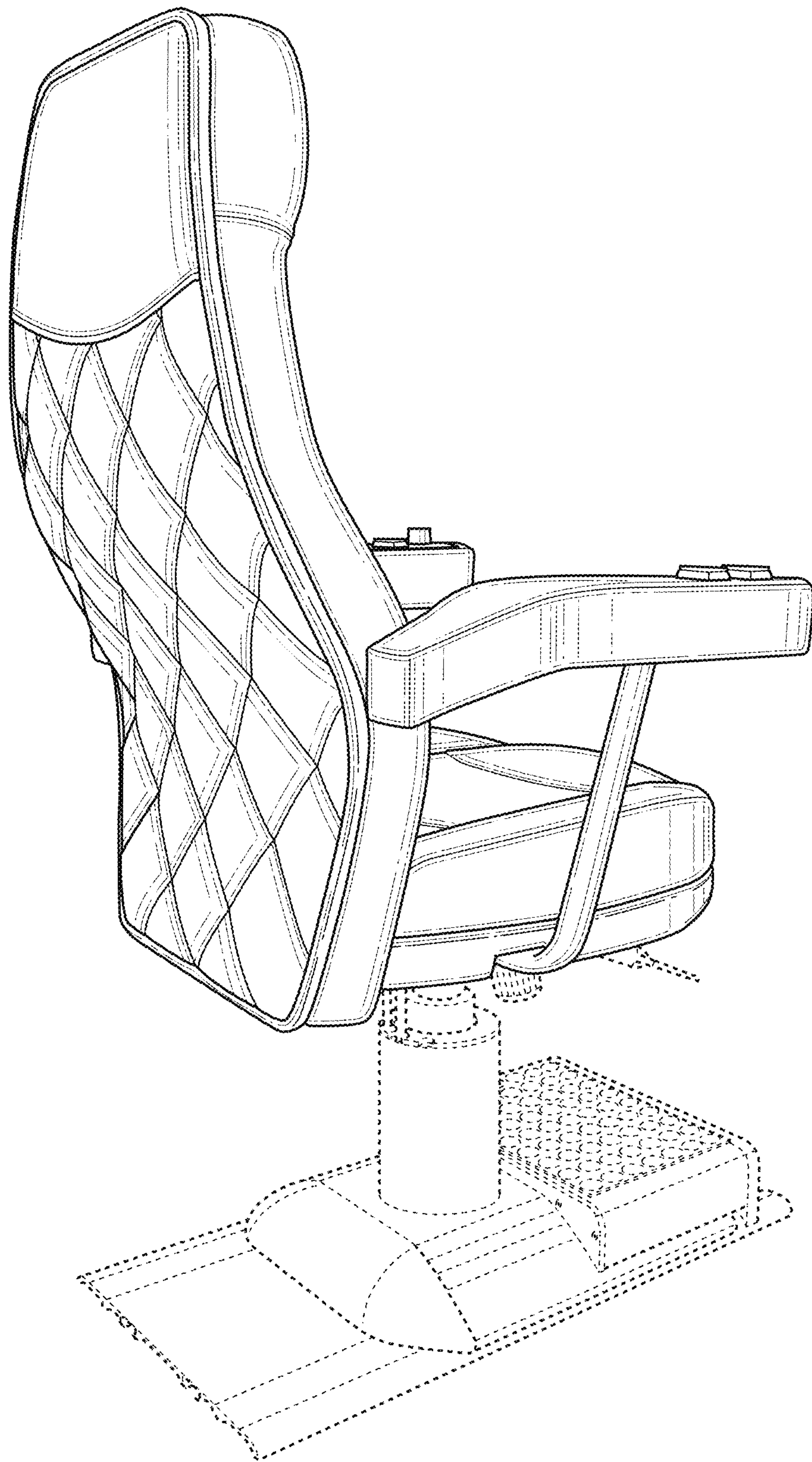
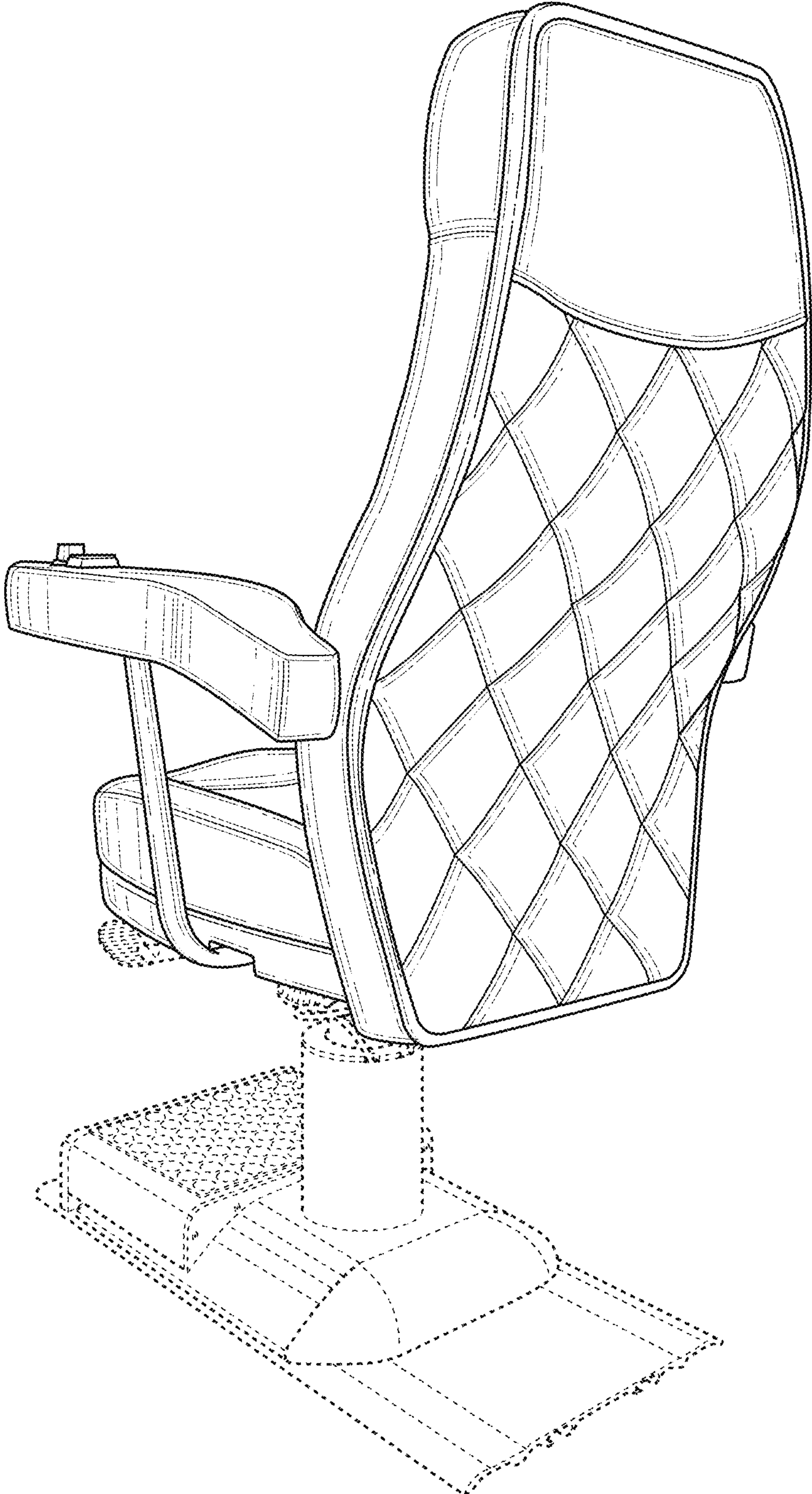


FIG. 2





**FIG. 3**

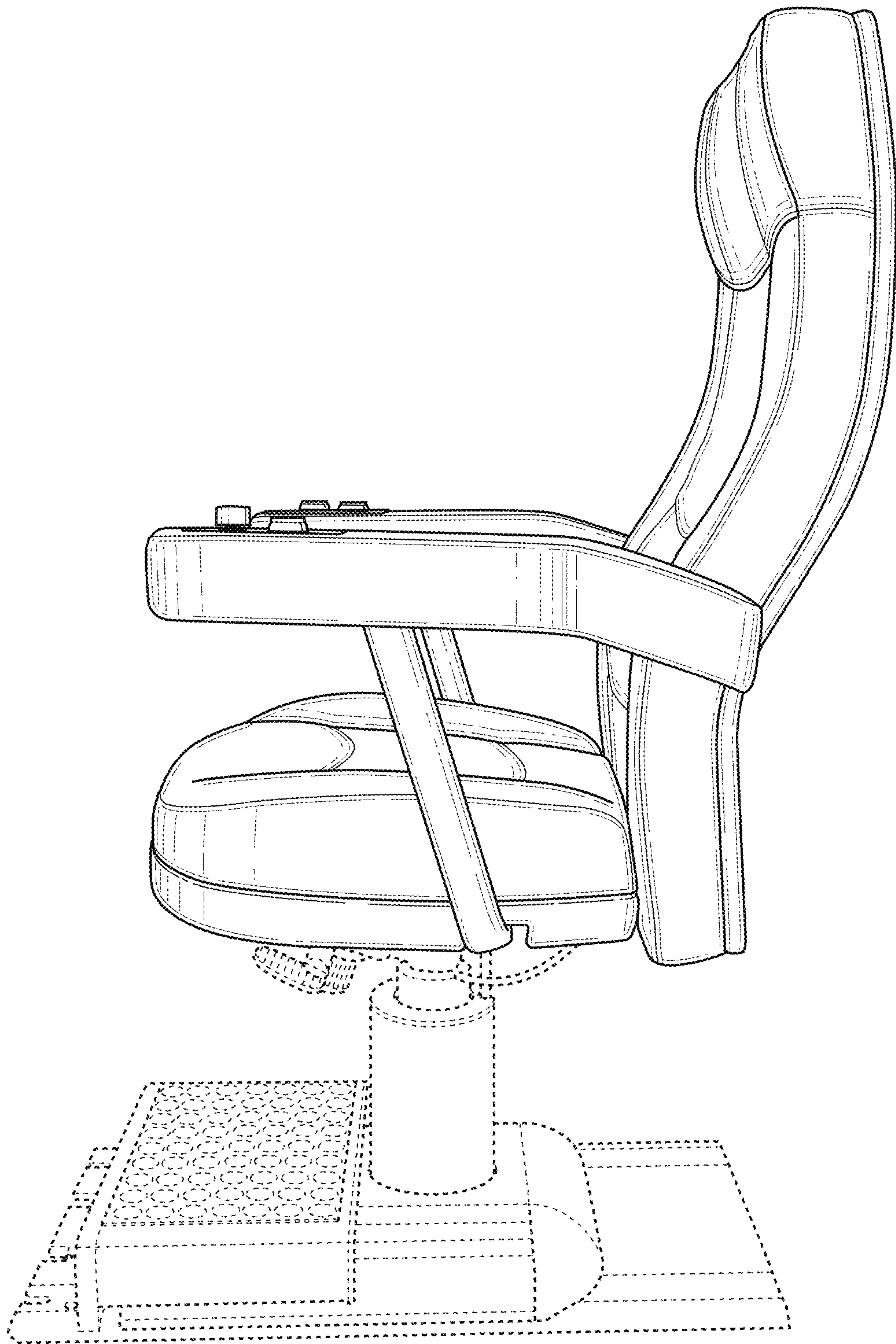


FIG. 4

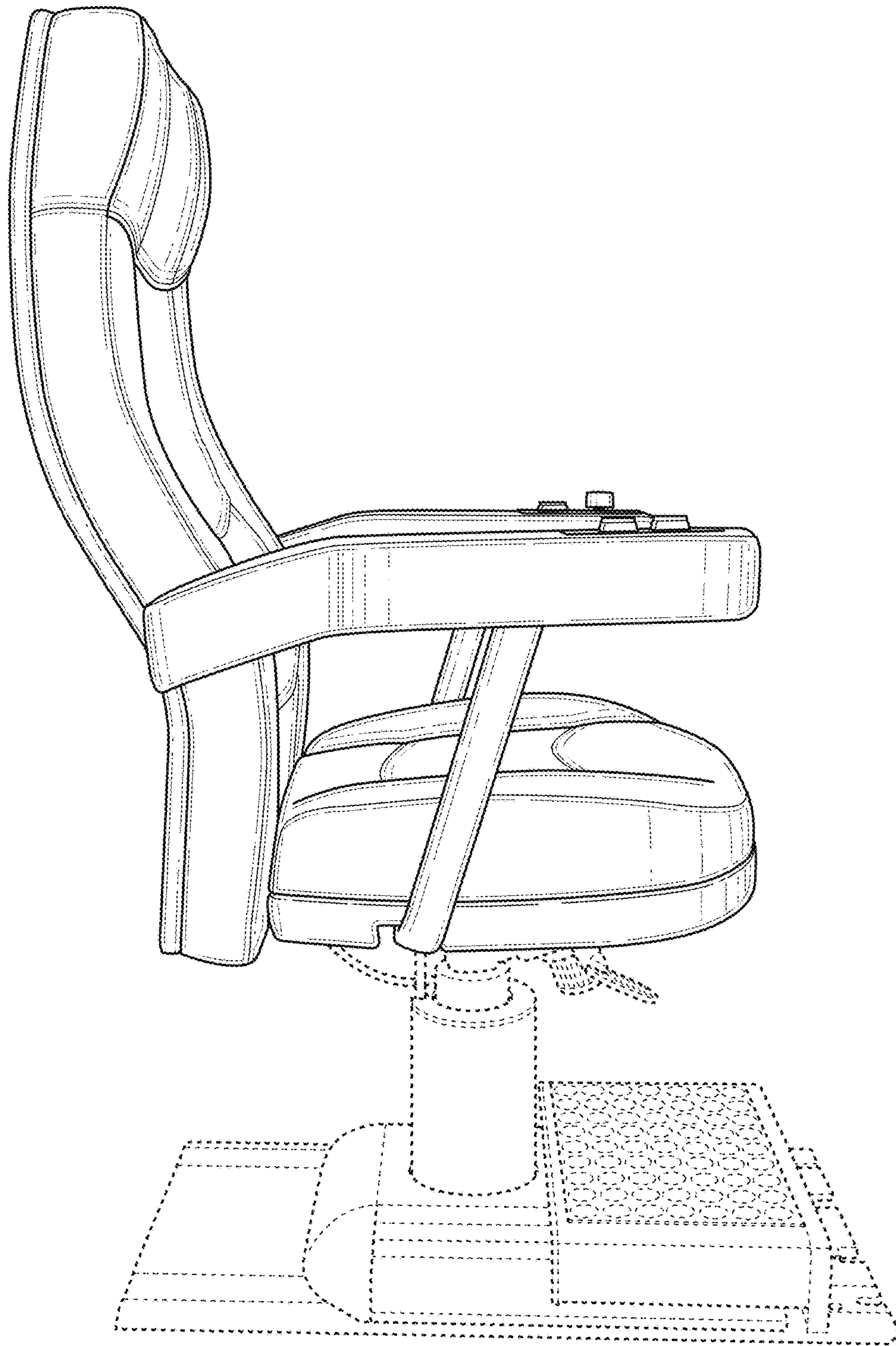
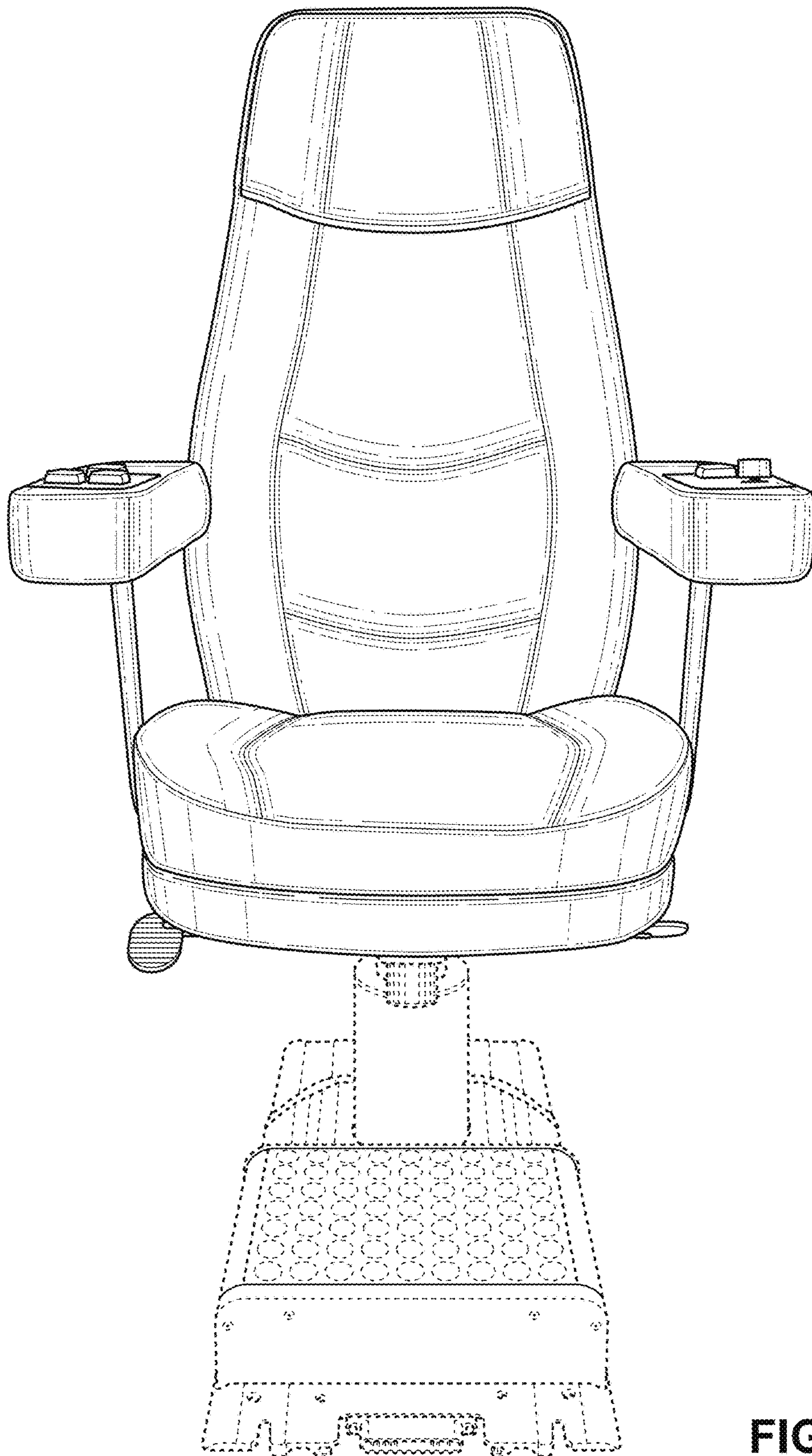


FIG. 5





**FIG. 6**

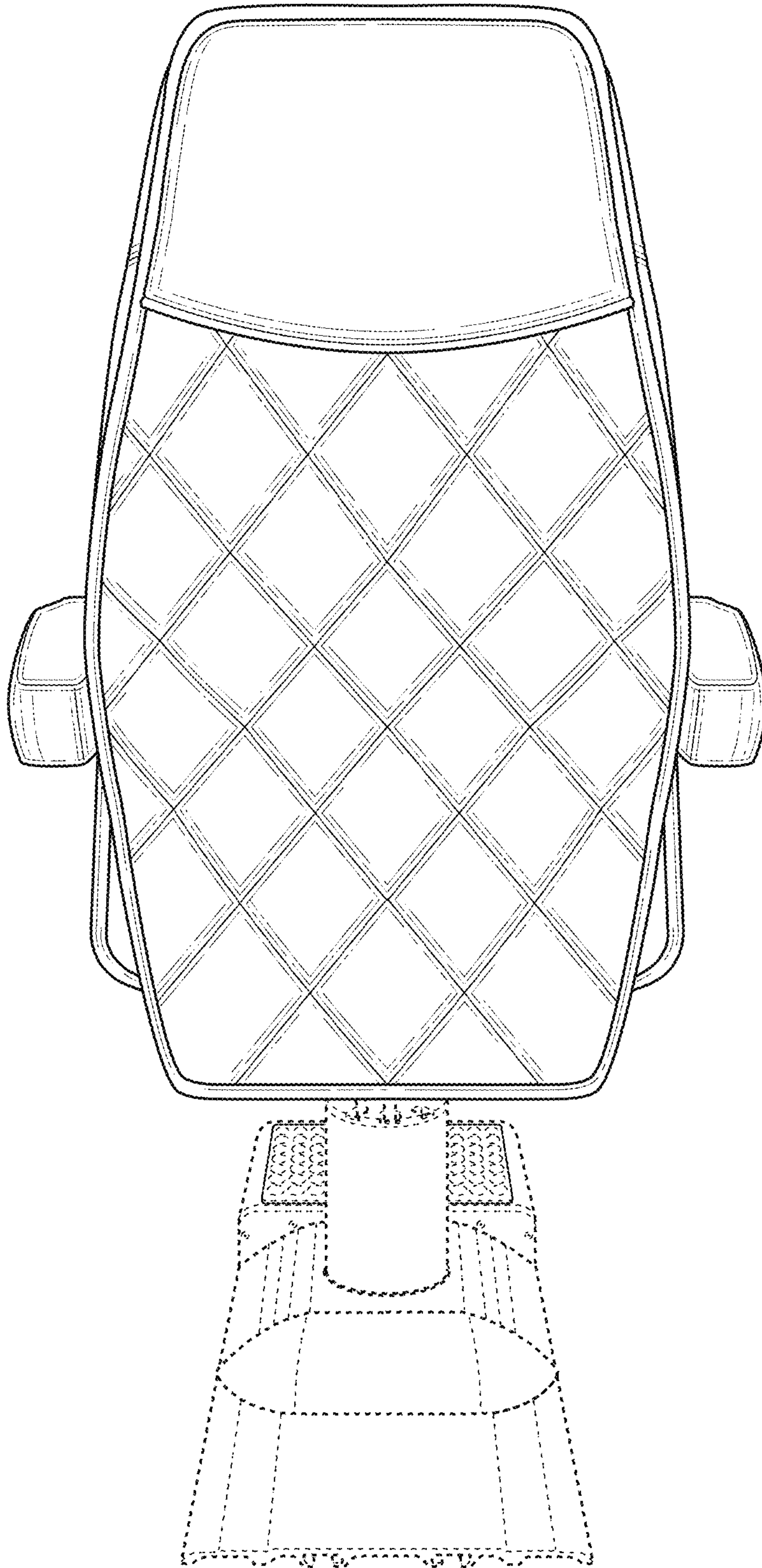


FIG. 7