



US00D792723S

(12) **United States Design Patent**
Wightman

(10) **Patent No.:** **US D792,723 S**

(45) **Date of Patent:** **** Jul. 25, 2017**

(54) **MATTRESS FOUNDATION**
(71) Applicant: **SERTA, INC.**, Hoffman Estates, IL
(US)
(72) Inventor: **Leona Wightman**, Dade City, FL (US)
(73) Assignee: **SERTA, INC.**, Hoffman Estates, IL
(US)
(**) Term: **15 Years**

5,782,190 A * 7/1998 Porter D05B 11/005
112/176
6,108,835 A * 8/2000 Hwang A47C 27/084
5/420
D458,448 S * 6/2002 Jakab D24/217
6,715,173 B2 * 4/2004 Barman A47C 21/026
5/411
D489,906 S * 5/2004 Hardy D6/300
D501,327 S * 2/2005 Keigley D6/300
D661,494 S * 6/2012 Adams-Hughes D5/57
D663,989 S * 7/2012 Steffey D6/602
D695,551 S * 12/2013 Gatto D5/59
D707,983 S * 7/2014 Hughes D6/605

(Continued)

(21) Appl. No.: **29/546,593**
(22) Filed: **Nov. 24, 2015**
(51) **LOC (10) Cl.** **06-09**
(52) **U.S. Cl.**
USPC **D6/605**
(58) **Field of Classification Search**
USPC D6/582-583, 587-592, 595-613,
D6/617-622; D21/803-809; D24/183
CPC A47G 9/00; A47G 2009/001; A47G
2009/002; A47G 2009/003; A47G
2009/005; A47G 2009/006; A47G 9/02;
A47G 9/0207; A47G 9/0215; A47G
9/0223; A47G 9/023; A47G 9/0238;
A47G 9/0246; A47G 9/0253; A47G
9/0261; A47G 9/06; A47G 9/062; A47G
9/066; A47G 9/068; A47G 9/08; A47G
2009/0276; A47G 9/0284; A47G 9/0292;
A47G 9/04; A47G 9/10
See application file for complete search history.

Primary Examiner — Mary Ann Calabrese
Assistant Examiner — Jennifer L Rempfer
(74) *Attorney, Agent, or Firm* — Cantor Colburn LLP

(57) **CLAIM**

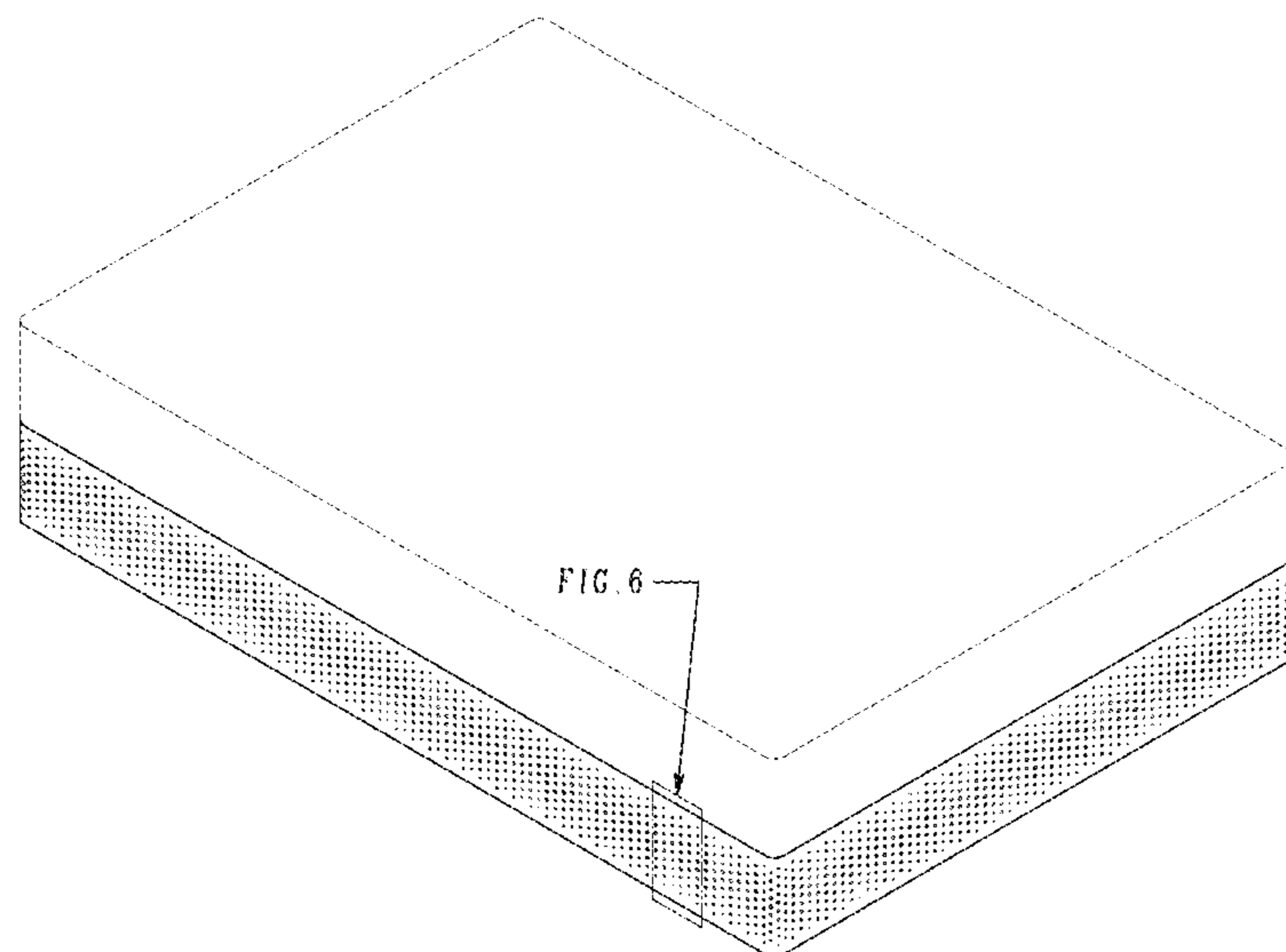
I claim the ornamental design for a mattress foundation, as shown and described.

DESCRIPTION

FIG. 1 is a left side, top perspective view of a mattress foundation embodying my design;
FIG. 2 is a bottom plan view thereof;
FIG. 3 is a left side view thereof, the right side being a mirror image thereof;
FIG. 4 is a foot end view thereof, the head end being a mirror image thereof;
FIG. 5 is a top plan view thereof in its intended environment;
FIG. 6 is an enlarged perspective view taken from FIG. 1 showing a portion of the mattress foundation; and,
FIG. 7 is an enlarged side view taken from FIG. 3 showing a portion of the mattress foundation.
The broken lines in FIGS. 1, 3, 4 and 5 showing a mattress illustrates environment and form no part of the claimed design. The broken lines showing the boundaries of the enlarged detailed views in FIGS. 6 and 7 form no part of the claimed design.

1 Claim, 5 Drawing Sheets

(56) **References Cited**
U.S. PATENT DOCUMENTS
1,721,396 A * 7/1929 Humphris E04F 13/045
52/526
4,118,288 A * 10/1978 Ruckl G03F 7/12
101/128.4
D374,936 S * 10/1996 Jakab D24/217



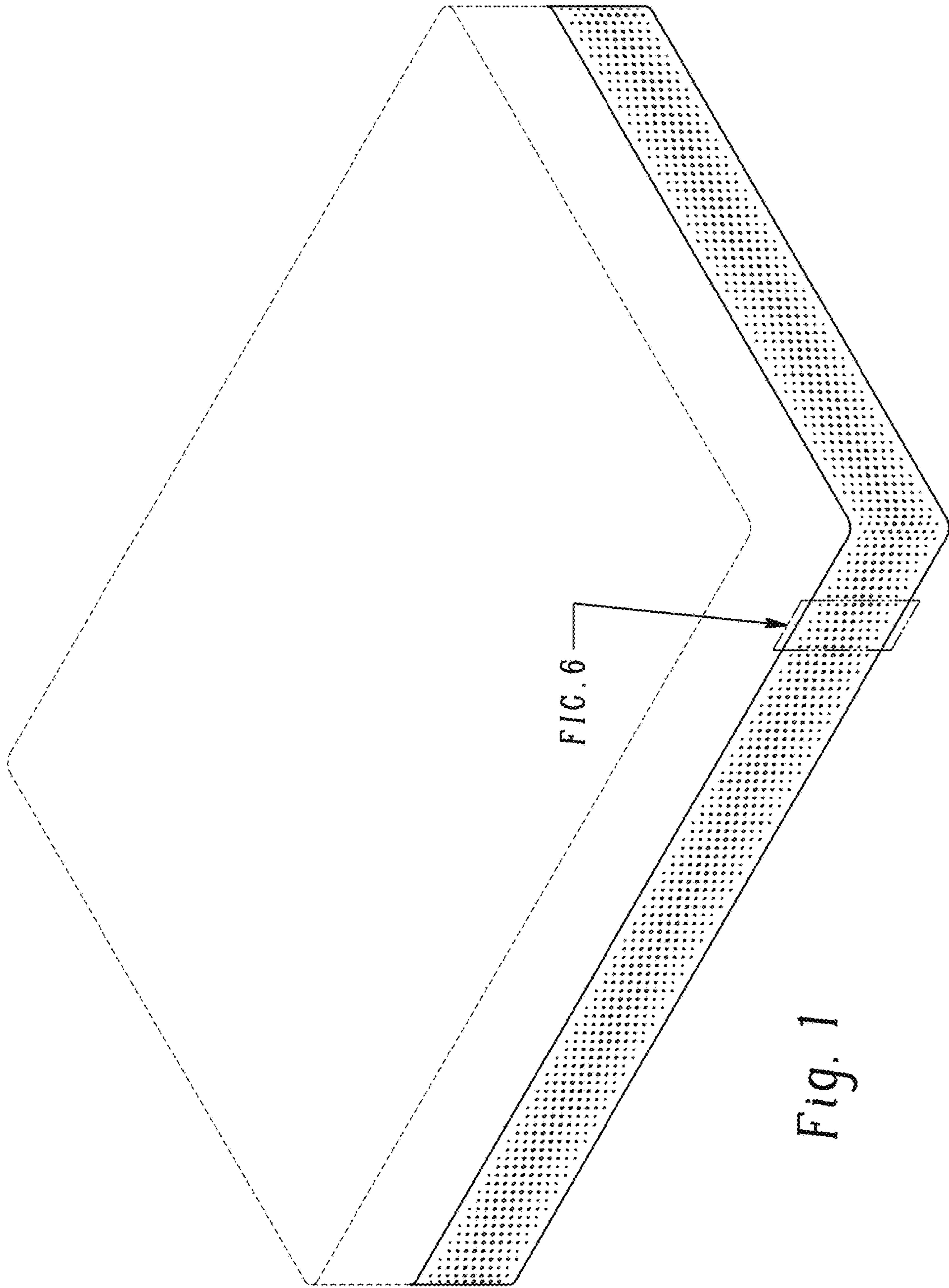
(56)

References Cited

U.S. PATENT DOCUMENTS

D731,819	S	*	6/2015	Wightman	D6/605
D737,076	S	*	8/2015	Wightman	D6/605
D758,763	S	*	6/2016	Bradford	D6/605
D773,209	S	*	12/2016	Jaigobin	D6/596
D776,960	S	*	1/2017	Suzuki	D6/605
D782,221	S	*	3/2017	Wightman	D6/605
2008/0081529	A1	*	4/2008	Gehring, Jr.	D04B 21/12 442/308

* cited by examiner



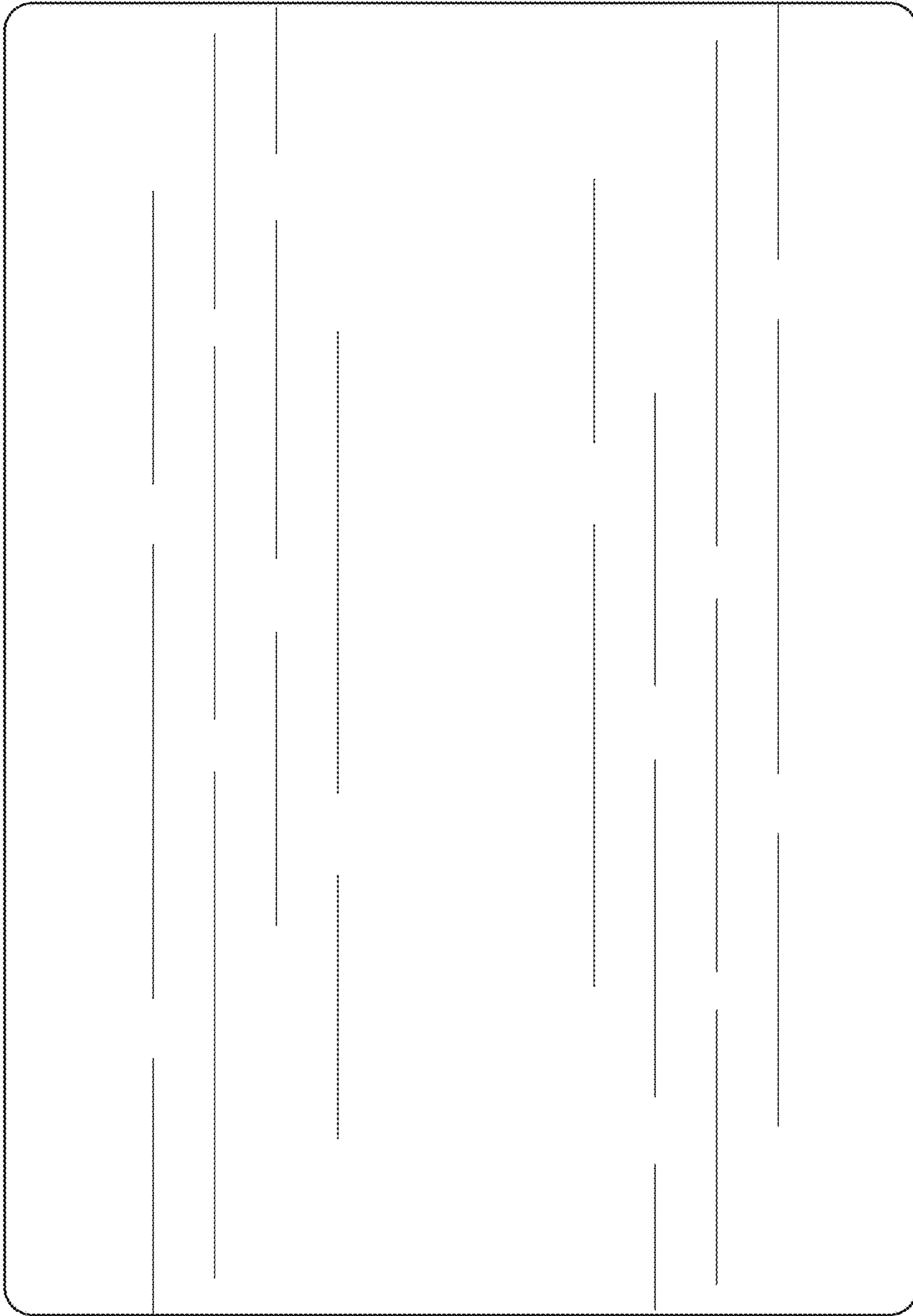


Fig. 2

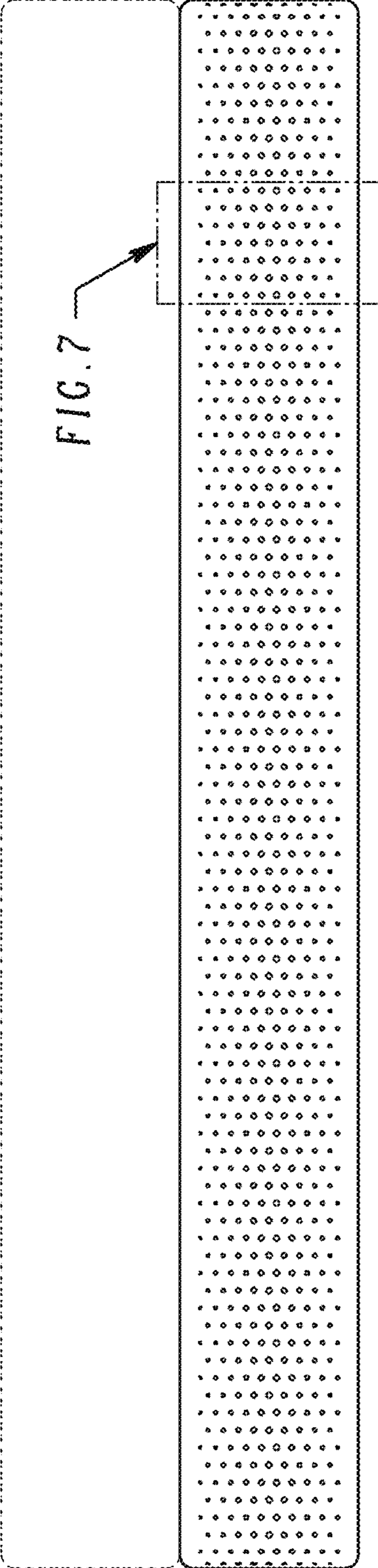


Fig. 3

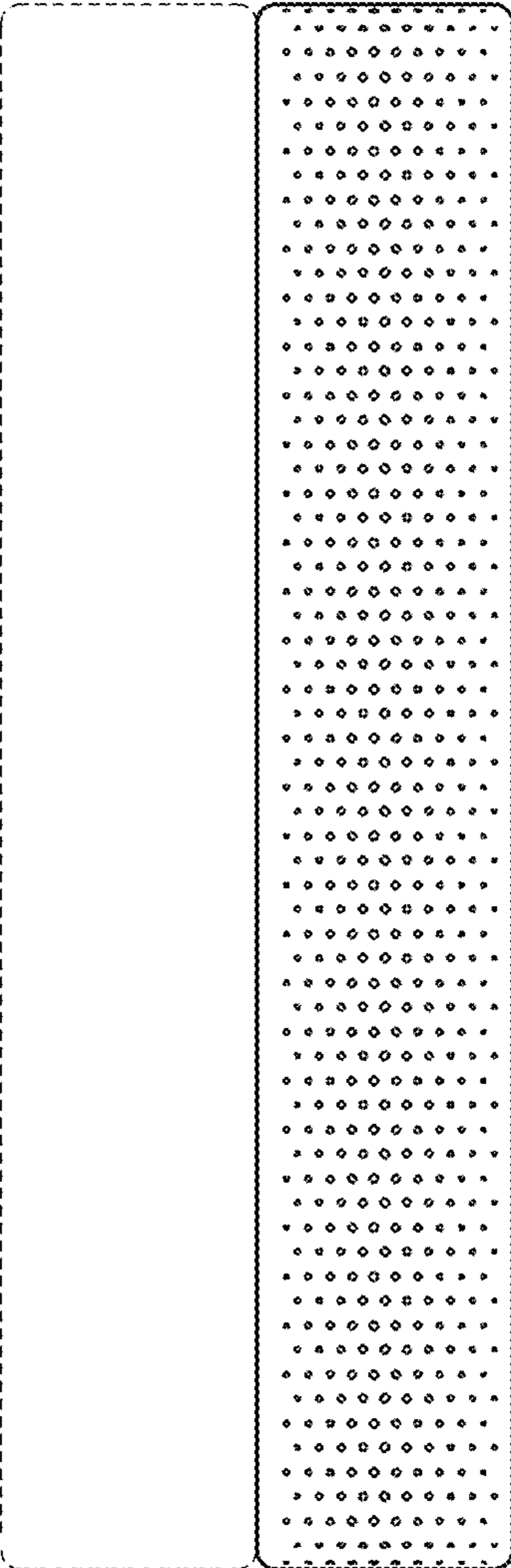


Fig. 4

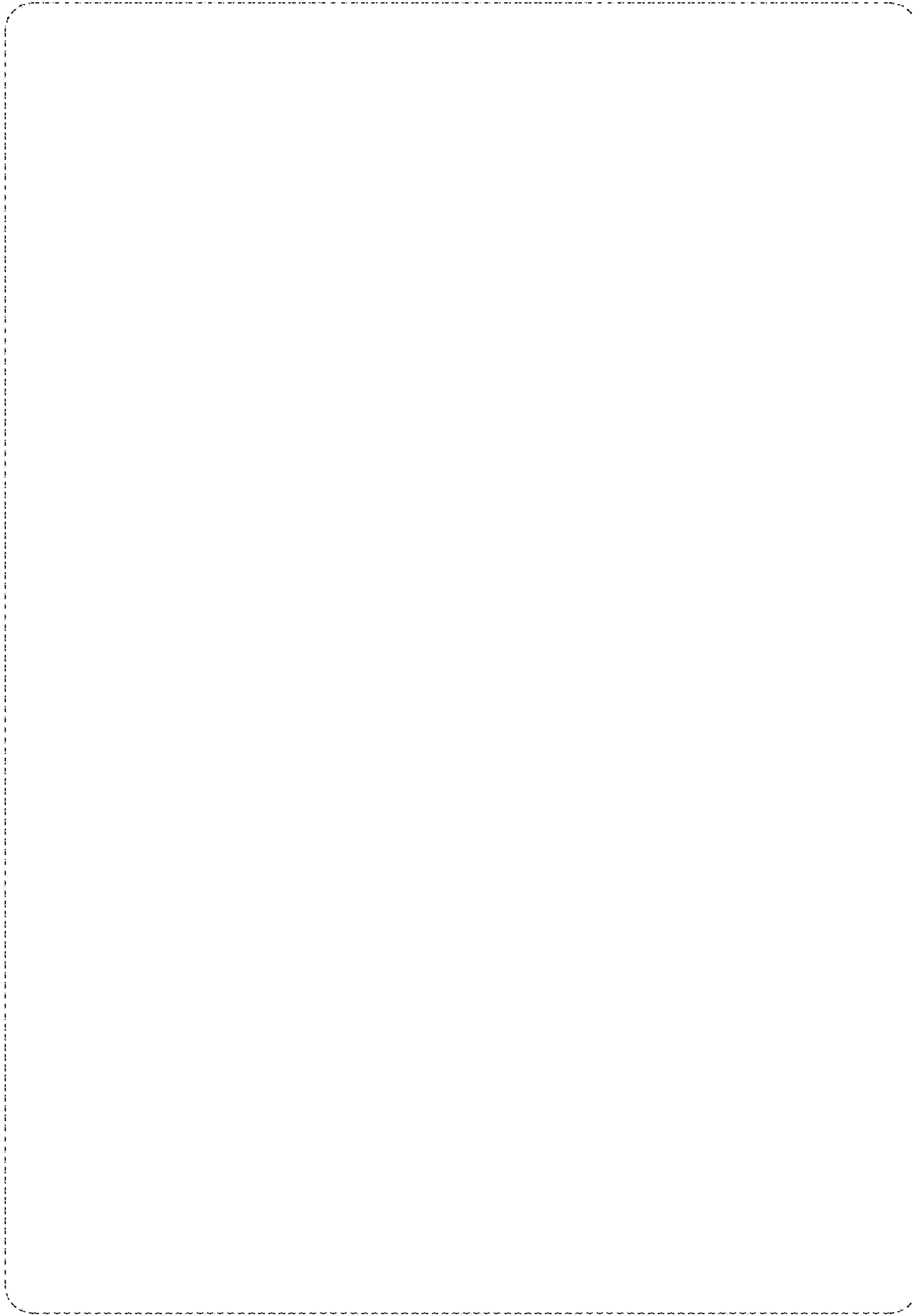


Fig. 5

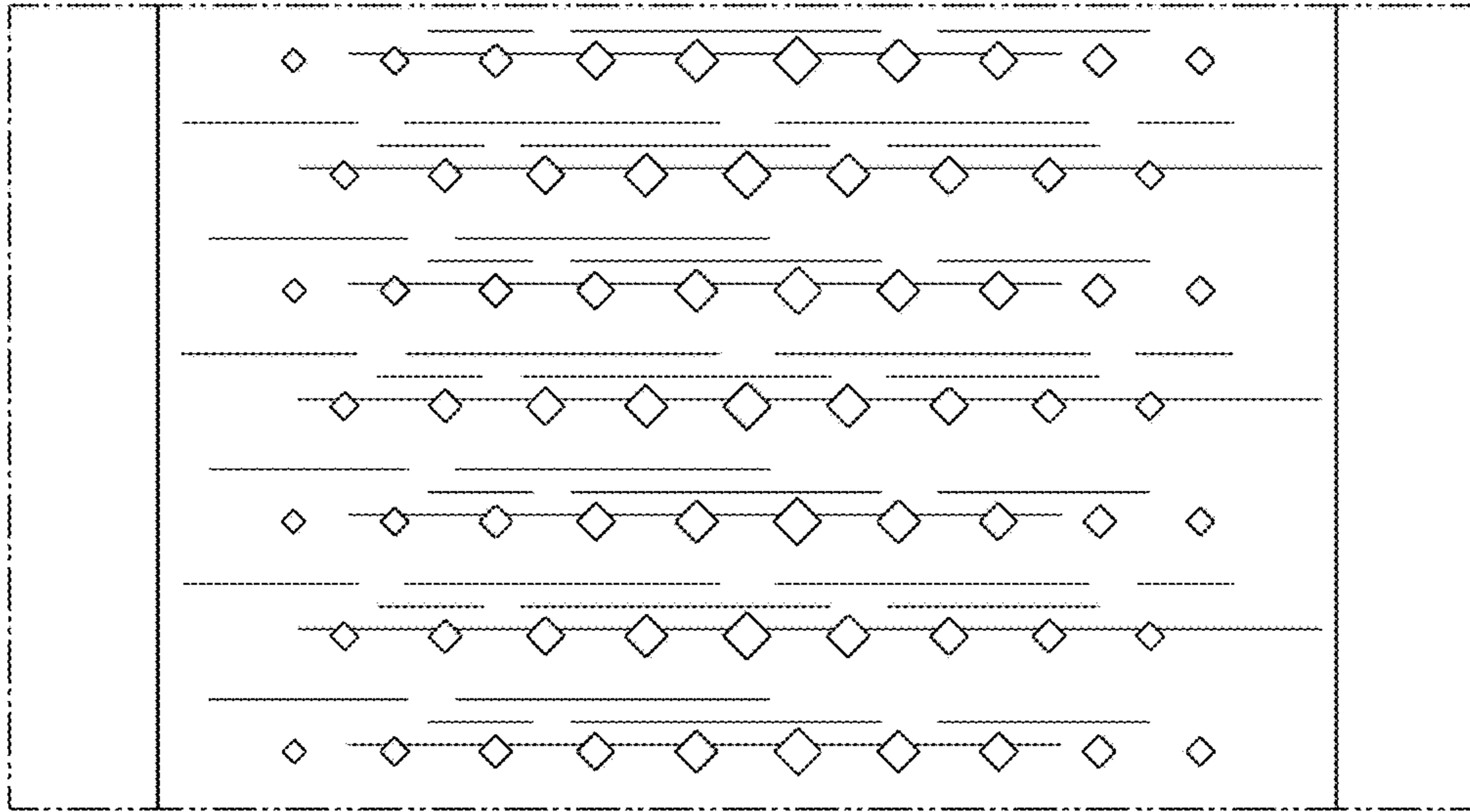


Fig. 7

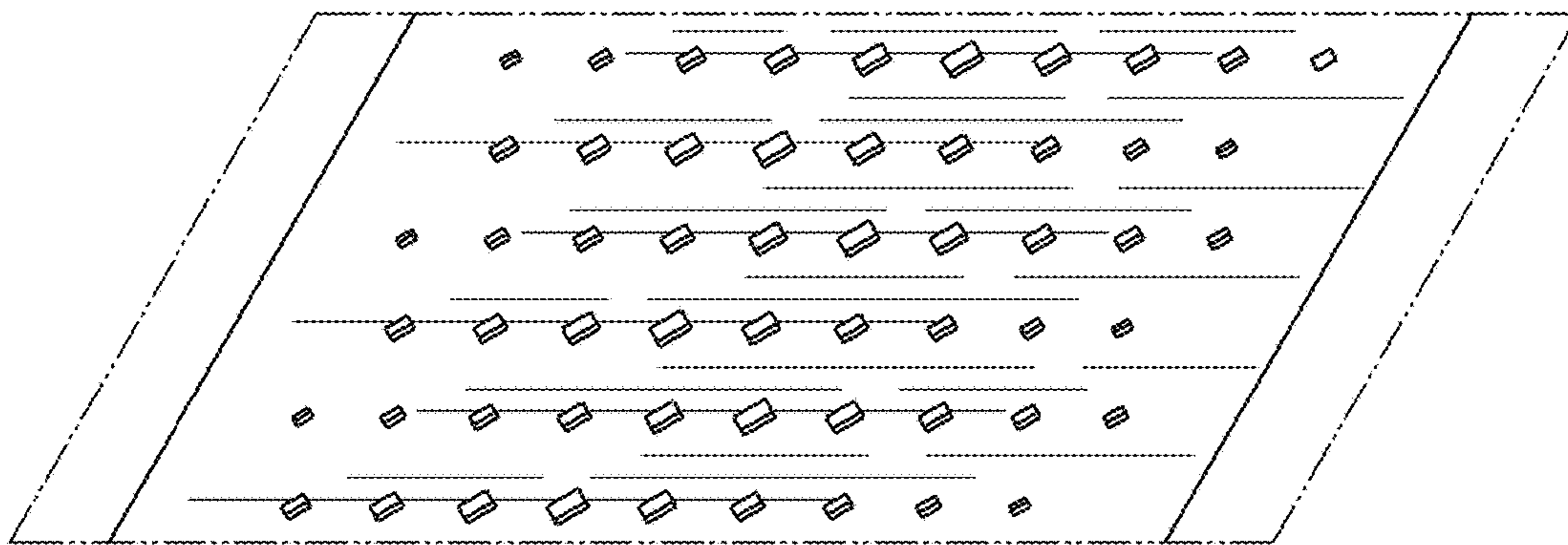


Fig. 6