



US00D792720S

(12) **United States Design Patent** (10) **Patent No.:** **US D792,720 S**
Lang (45) **Date of Patent:** **** Jul. 25, 2017**

(54) **WALL MOUNTABLE BICYCLE STAND**

(71) Applicant: **ANDREW LANG PRODUCT DESIGN LIMITED**, London (GB)

(72) Inventor: **Andrew Lang**, London (GB)

(73) Assignee: **ANDREW LANG PRODUCT DESIGN LIMITED**, London (GB)

(**) Term: **14 Years**

(21) Appl. No.: **29/503,189**

(22) Filed: **Sep. 24, 2014**

(30) **Foreign Application Priority Data**

Mar. 24, 2014 (EM) 002431551

(51) **LOC (10) Cl.** **12-11**

(52) **U.S. Cl.**
USPC **D6/552**

(58) **Field of Classification Search**
USPC D6/552; D12/115; 211/7, 8, 18, 85.7, 211/86.01, 87.01, 106.01, 117, FOR. 102; D8/354, 373; 248/224.8, 220.21, 304, 248/225.11, 691
CPC B62H 3/02; E05B 71/00; E05Y 2900/20; E05Y 2900/132; E05Y 2900/531; E05D 7/0407; E05D 7/0423
See application file for complete search history.

(56) **References Cited**

U.S. PATENT DOCUMENTS

4,076,350 A * 2/1978 Crist E04H 1/1238 312/242
D442,409 S * 5/2001 Curran D6/559

D468,638 S * 1/2003 Nogami D9/423
D557,542 S * 12/2007 Brandon D6/559
D565,881 S * 4/2008 Brandon D6/559
D686,845 S * 7/2013 Brink D6/525
D717,567 S * 11/2014 Bloomquist D6/559

* cited by examiner

Primary Examiner — Wan Laymon

Assistant Examiner — Mark Booker

(74) *Attorney, Agent, or Firm* — Saul Ewing LLP

(57) **CLAIM**

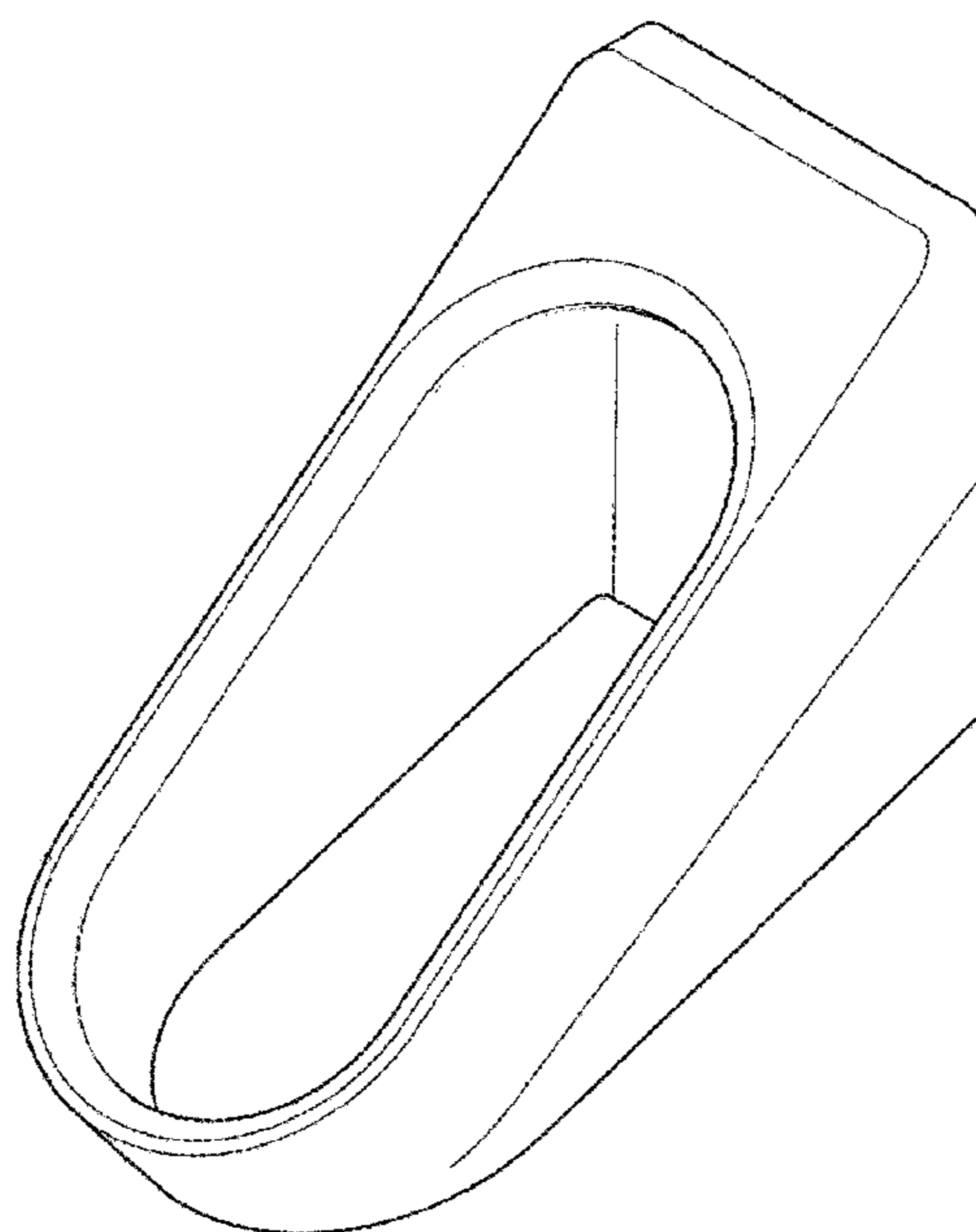
The ornamental design for a wall mountable bicycle stand, as shown and described.

DESCRIPTION

FIG. 1 is a front perspective view of the wall mountable bicycle stand;
FIG. 2 is a side view of the wall mountable bicycle stand of FIG. 1;
FIG. 3 is a top view of the wall mountable bicycle stand of FIG. 1;
FIG. 4 is a bottom view of the wall mountable bicycle stand of FIG. 1;
FIG. 5 is a back view of the wall mountable bicycle stand of FIG. 1; and,
FIG. 6 is a front view of the wall mountable bicycle stand of FIG. 1.

The broken lines shown in the figures represent portions of article that form no part of the claimed design.

1 Claim, 6 Drawing Sheets



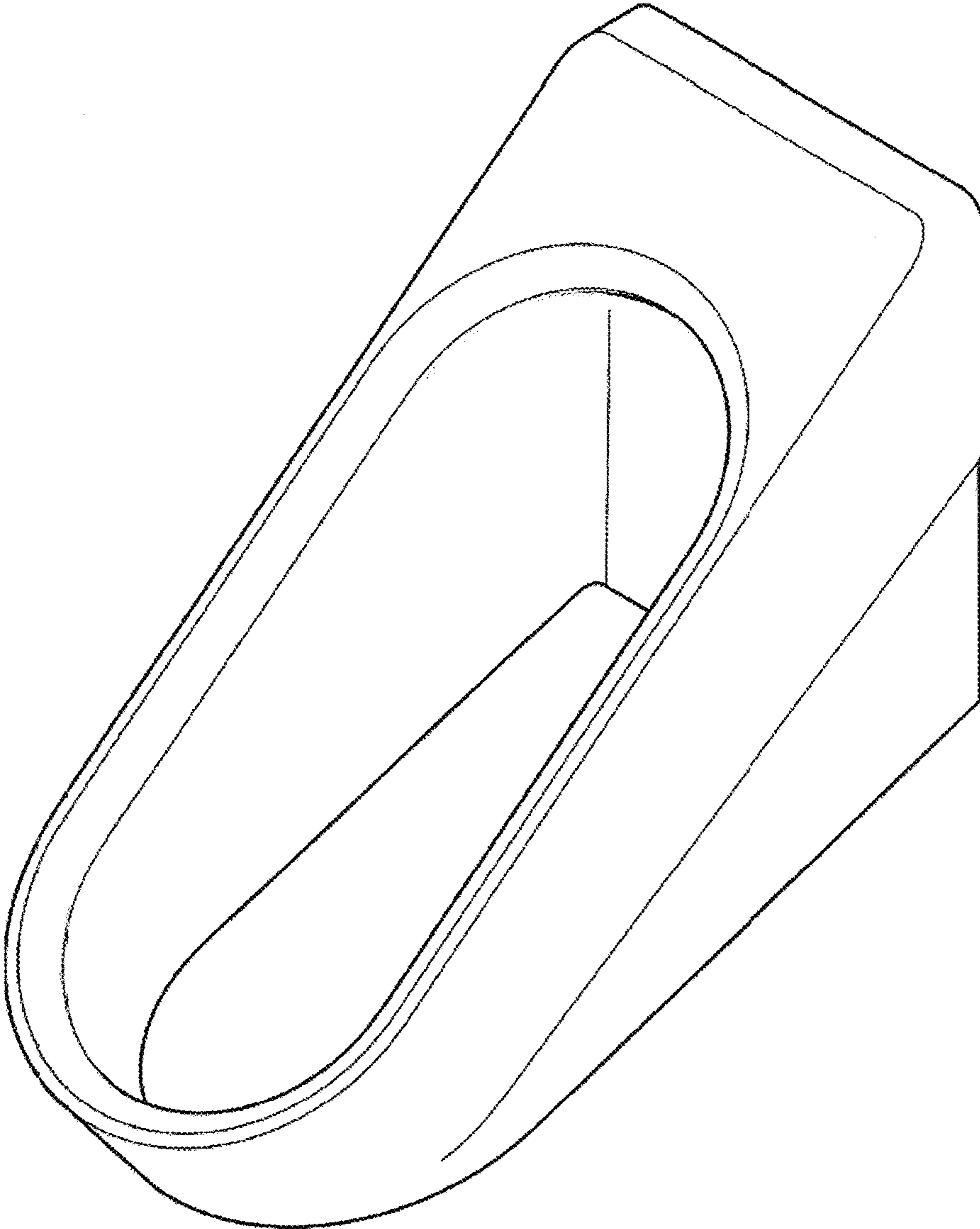


FIG. 1

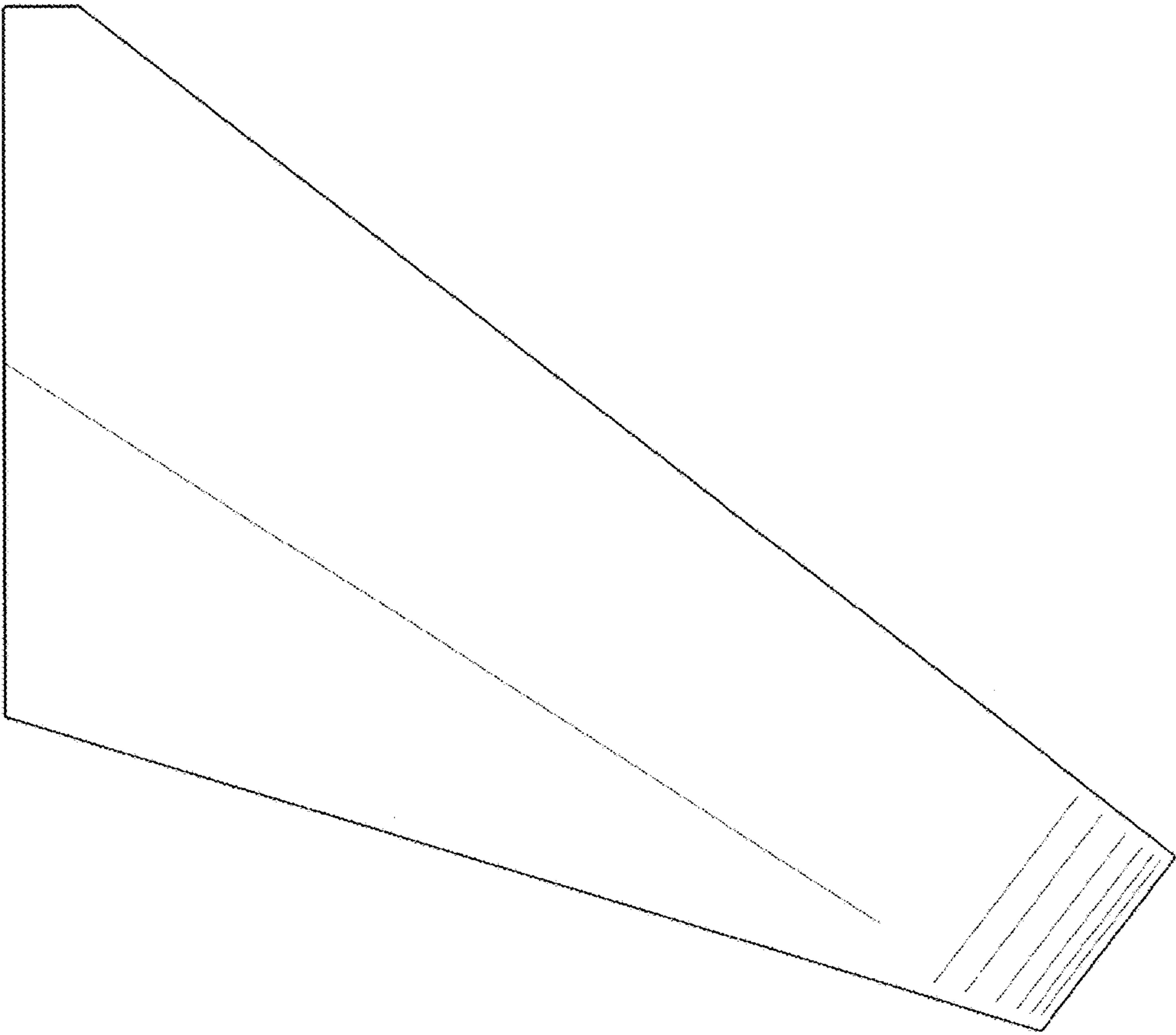


FIG. 2

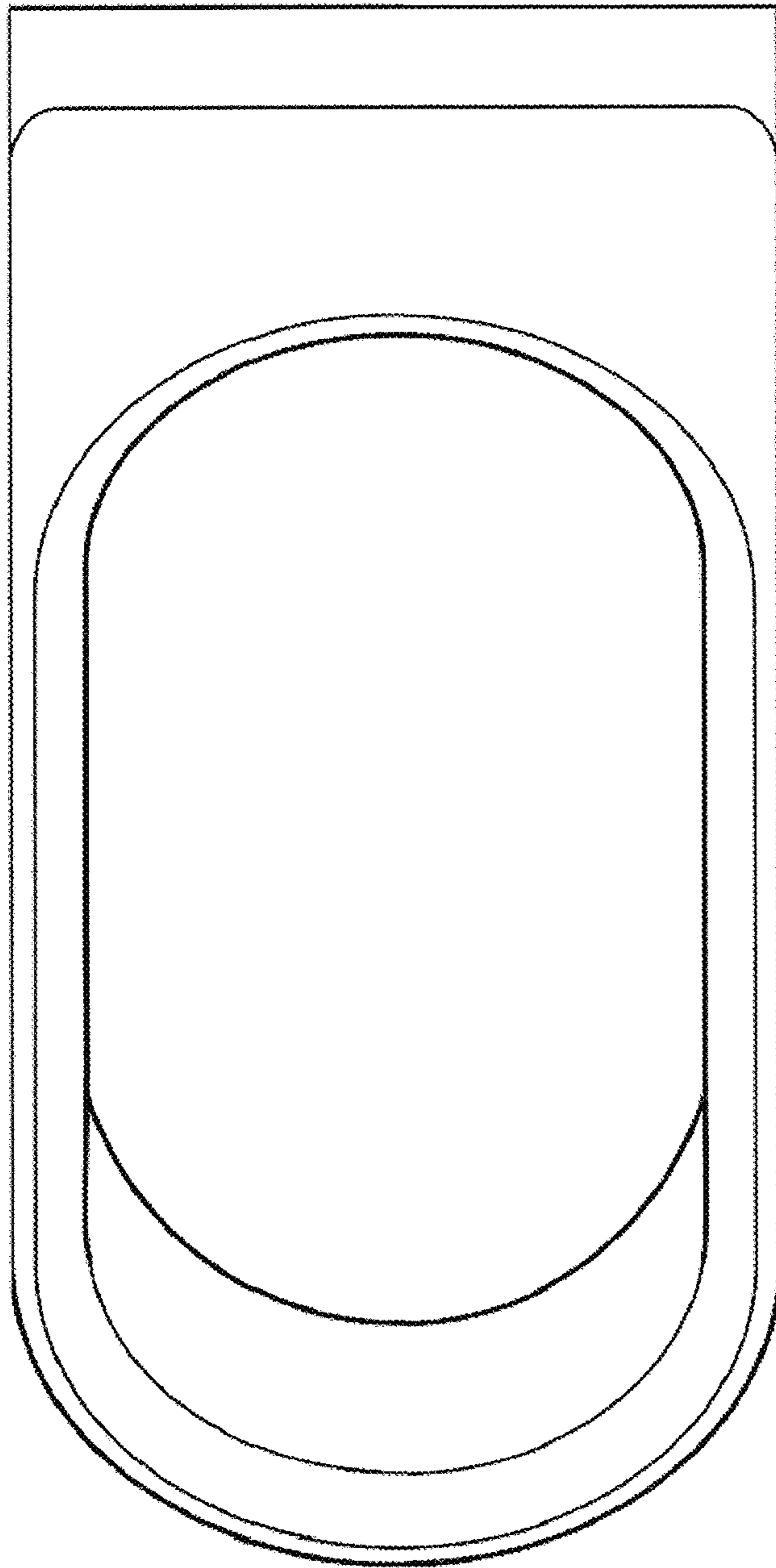


FIG. 3

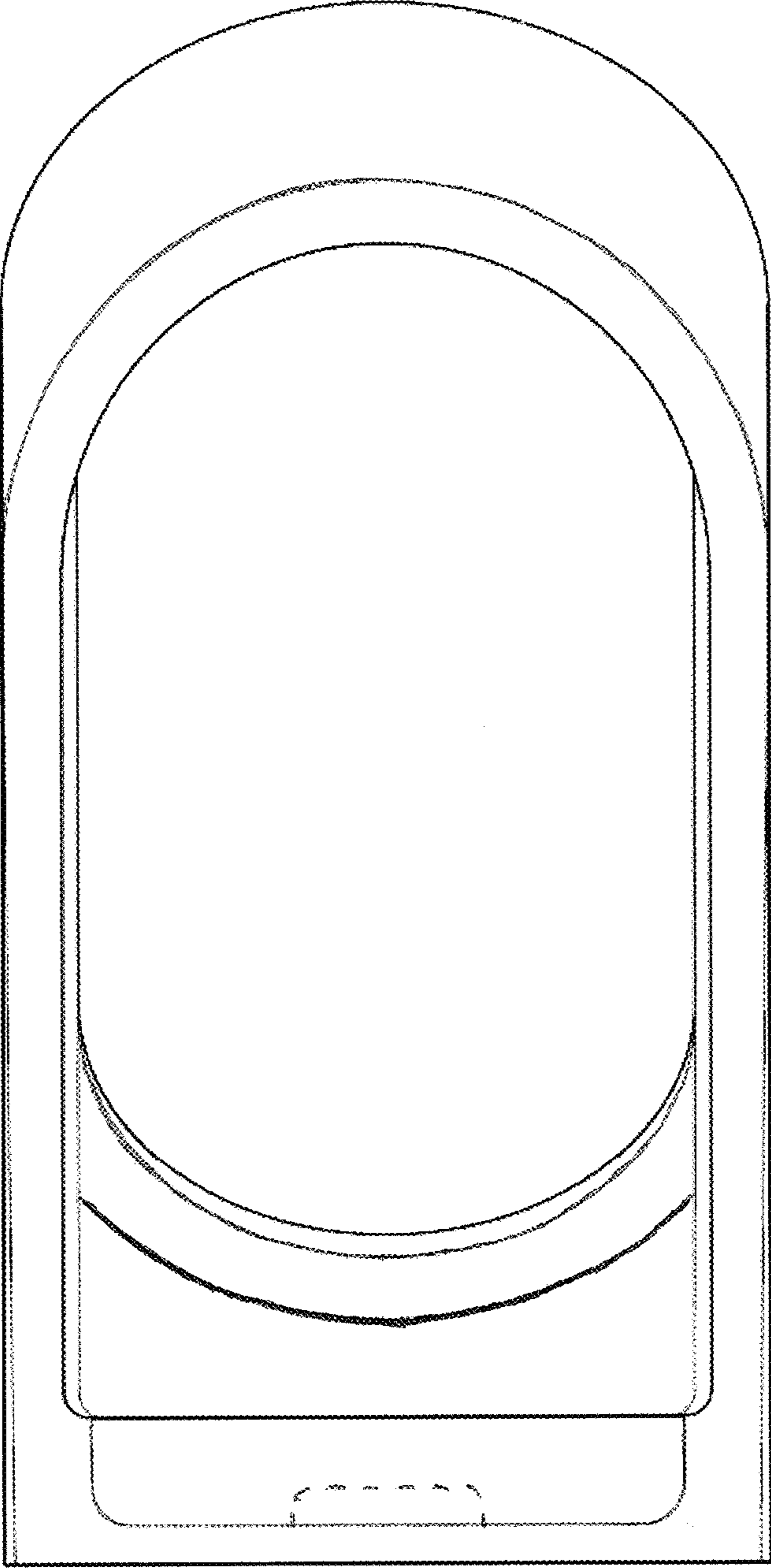


FIG. 4

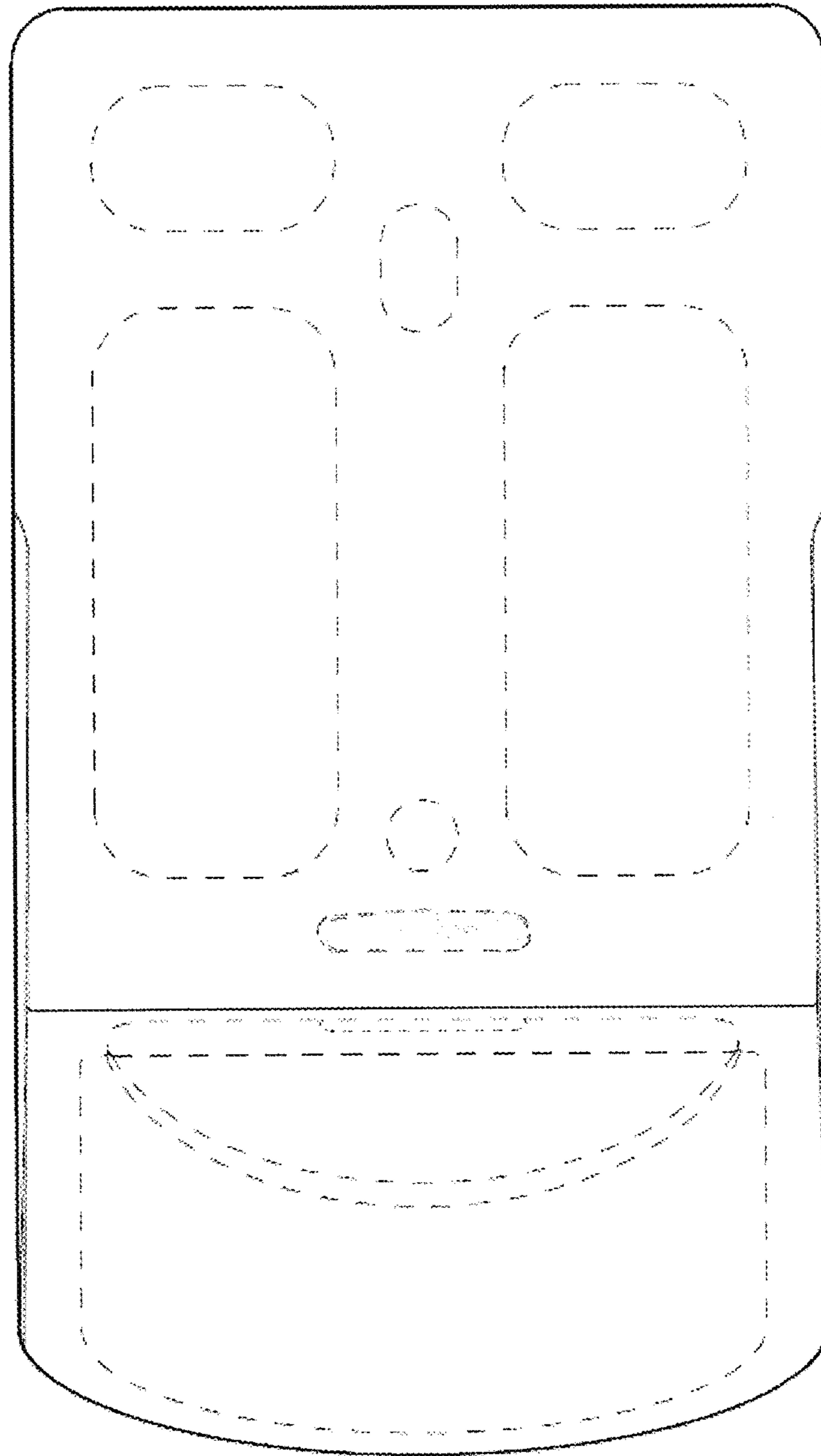


FIG. 5

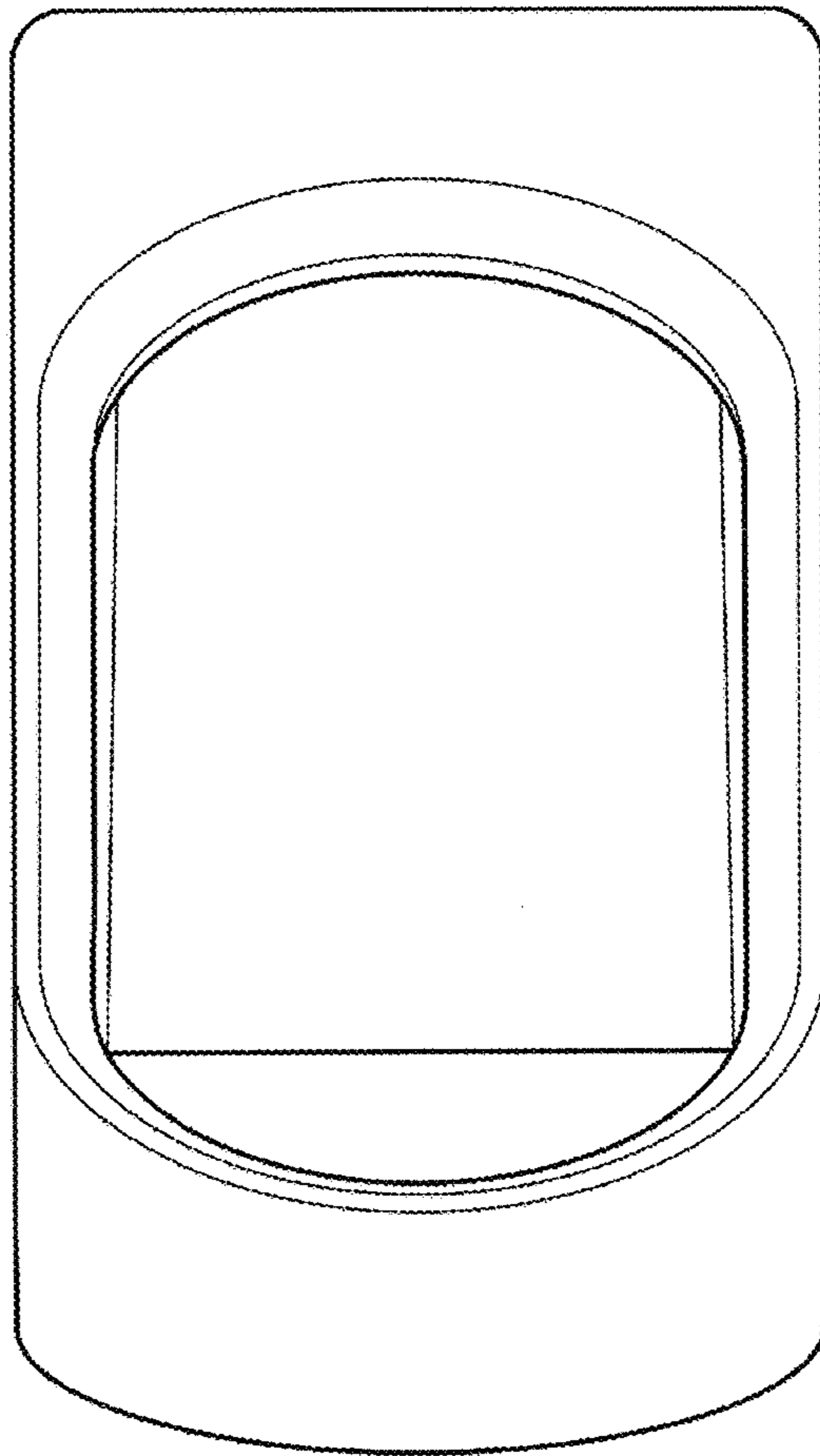


FIG. 6