



US00D792719S

(12) **United States Design Patent** (10) **Patent No.:** **US D792,719 S**
Wortell (45) **Date of Patent:** **** Jul. 25, 2017**

(54) **BRUSH AND RAZOR STAND**

(71) Applicant: **Joseph Wortell**, Chicago, IL (US)

(72) Inventor: **Joseph Wortell**, Chicago, IL (US)

(**) Term: **15 Years**

(21) Appl. No.: **29/569,036**

(22) Filed: **Jun. 23, 2016**

(51) **LOC (10) Cl.** **28-03**

(52) **U.S. Cl.**
USPC **D6/526**

(58) **Field of Classification Search**
USPC D6/526, 524, 540, 534, 528; D9/748,
D9/749; 206/208, 209, 228, 361, 362.1,
206/362.2, 362.3; 211/13.1, 66, 70.6,
211/86.01, 87.01, 89.01; 248/127, 176.1,
248/200, 205.5, 309.1, 314
CPC . B26B 19/3806; B26B 19/3853; B26B 21/52;
B26B 21/10; B26B 21/4006; B26B
21/522

See application file for complete search history.

(56) **References Cited**

U.S. PATENT DOCUMENTS

D425,255 S *	5/2000	Chen	D28/73
D544,264 S *	6/2007	Gallagher	D6/524
D576,436 S *	9/2008	Provost	D6/526
D677,090 S *	3/2013	Floyd	D6/526
D677,503 S *	3/2013	Floyd	D6/526
D699,473 S *	2/2014	Szczepanowski	D6/526

OTHER PUBLICATIONS

royalshave.com, Dovo Z Stand for Straight Razor and Shaving Brush-Stainless Steel, May 28, 2017, royalshave.com, URL:https://www.royalshave.com/dovo-z-stand-for-straight-razor-and-shaving-brush-stainless-steel, 6 pages, retrived on May 28, 2017.*

* cited by examiner

Primary Examiner — Wan Laymon

Assistant Examiner — Mark Booker

(74) *Attorney, Agent, or Firm* — Lesley A. Wallerstein, LLC

(57) **CLAIM**

The ornamental design for this brush and razor stand, as shown and described.

DESCRIPTION

FIG. 1 is a perspective view of a brush and razor stand according to the present invention.

FIG. 2 is a front view of the brush and razor stand of FIG. 1.

FIG. 3 is a rear view of the brush and razor stand of FIG. 1.

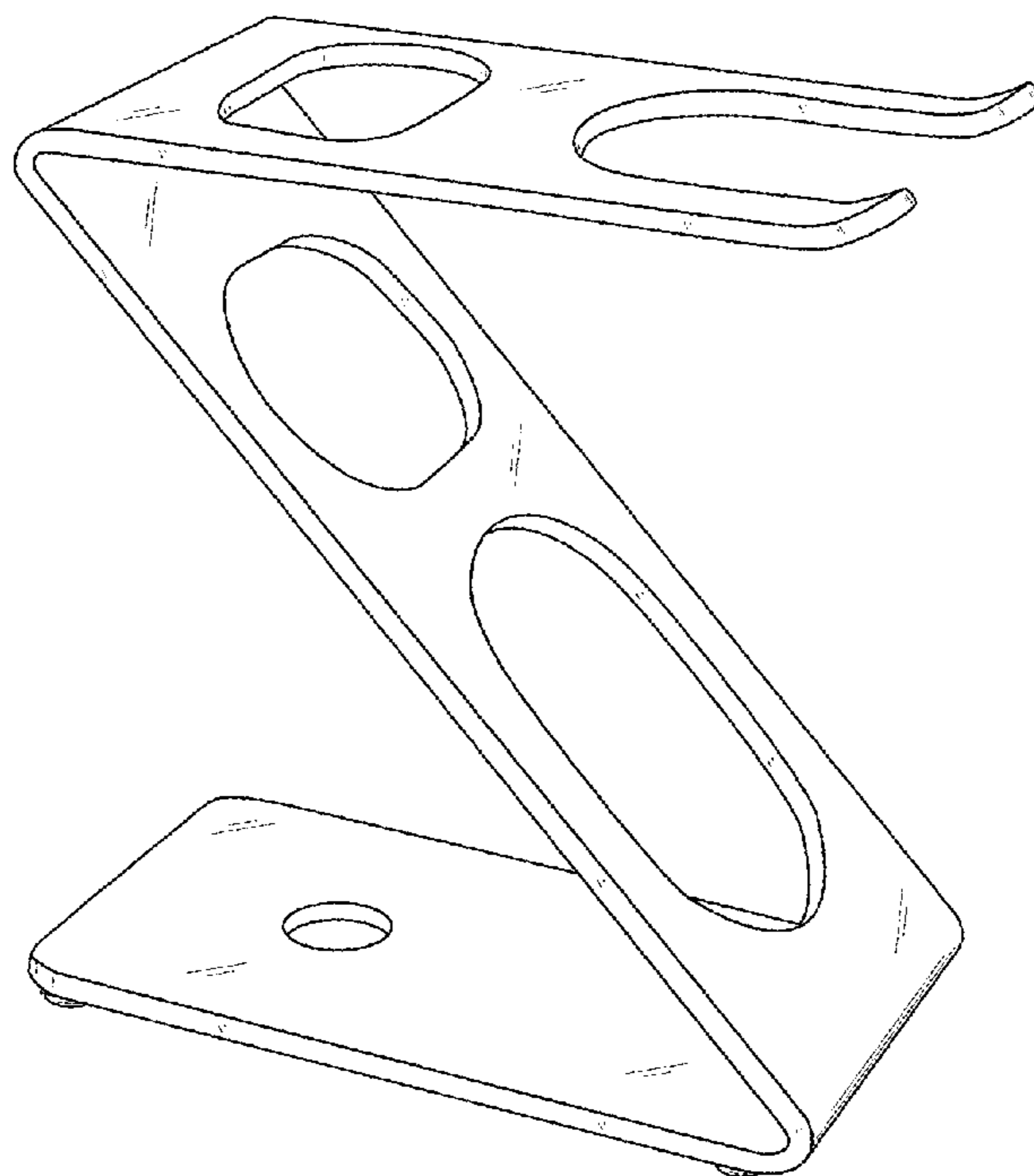
FIG. 4 is a left side view of the brush and razor stand of FIG. 1.

FIG. 5 is a right side view of the brush and razor stand of FIG. 1.

FIG. 6 is a top view of the brush and razor stand of FIG. 1; and,

FIG. 7 is a bottom view of the brush and razor stand of FIG. 1.

1 Claim, 4 Drawing Sheets



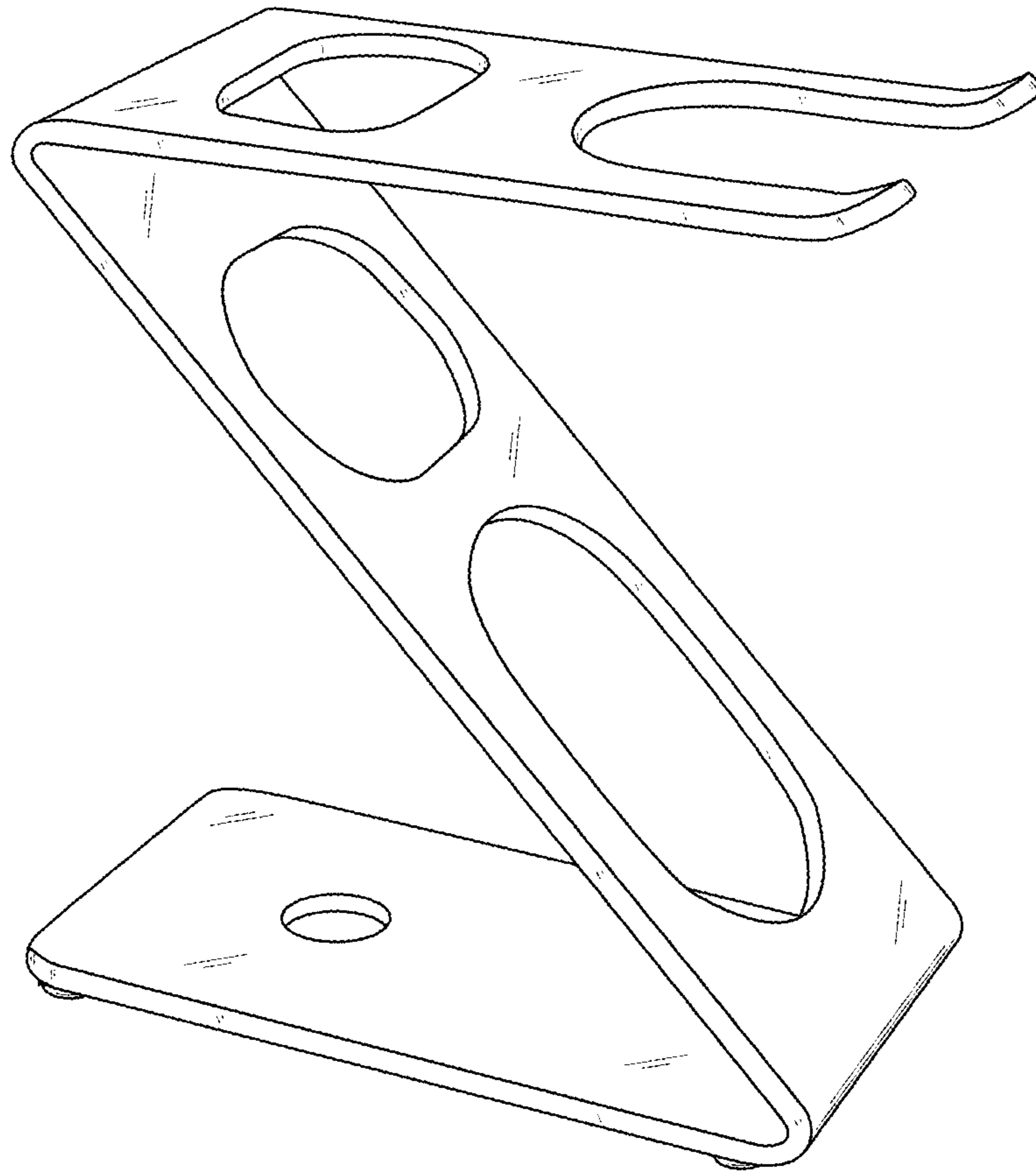


FIG. 1

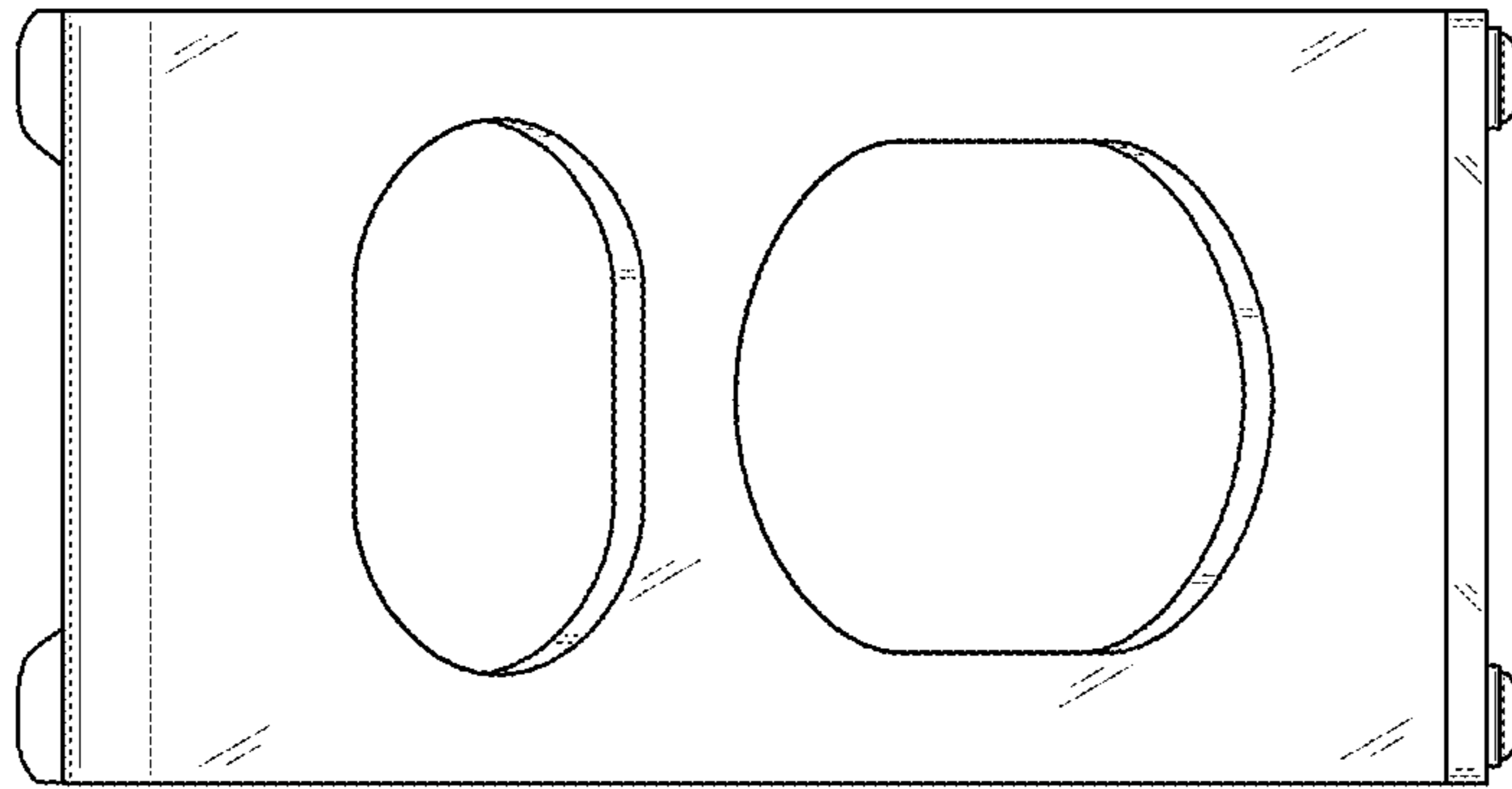


FIG. 3

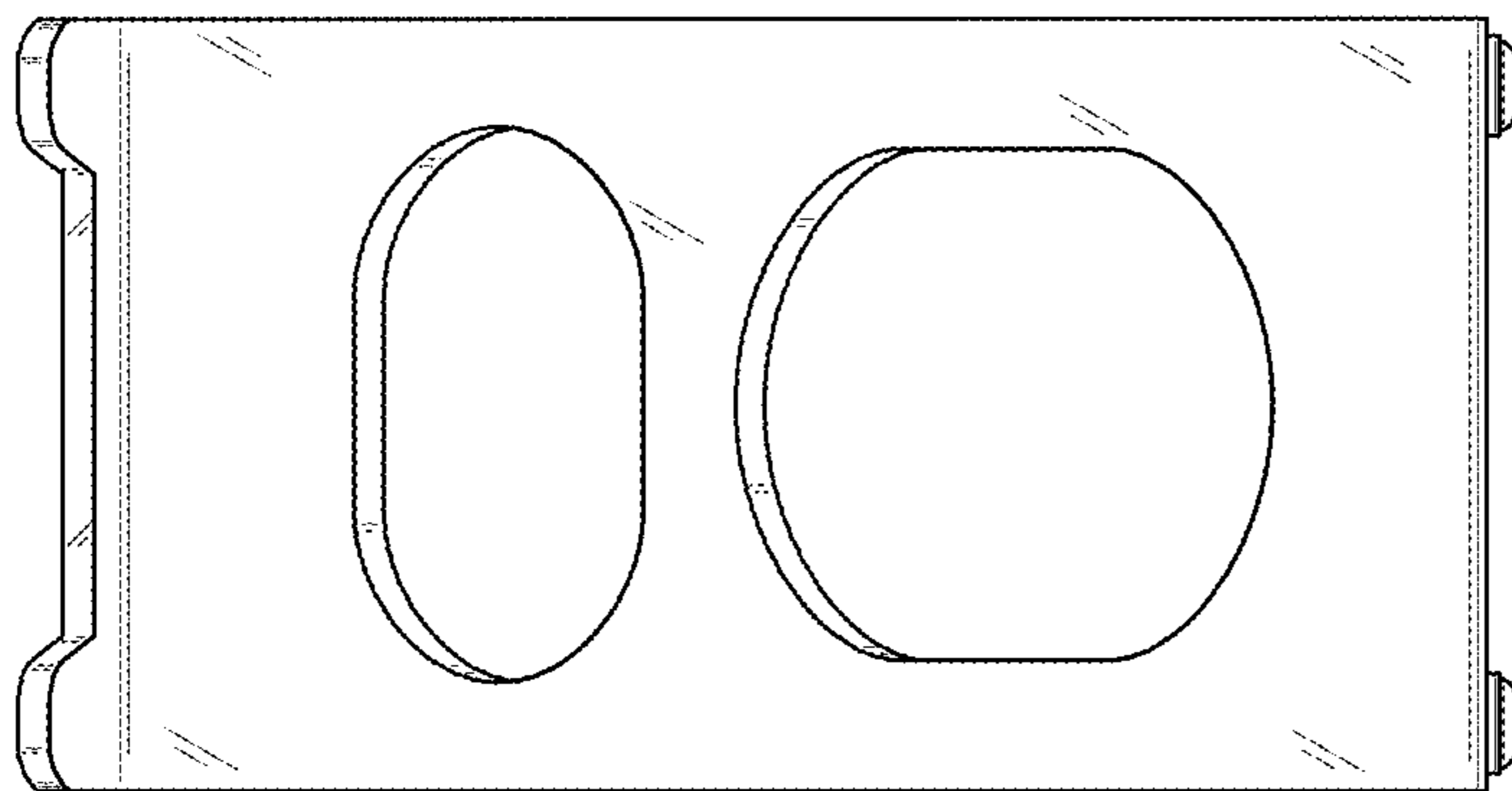


FIG. 2

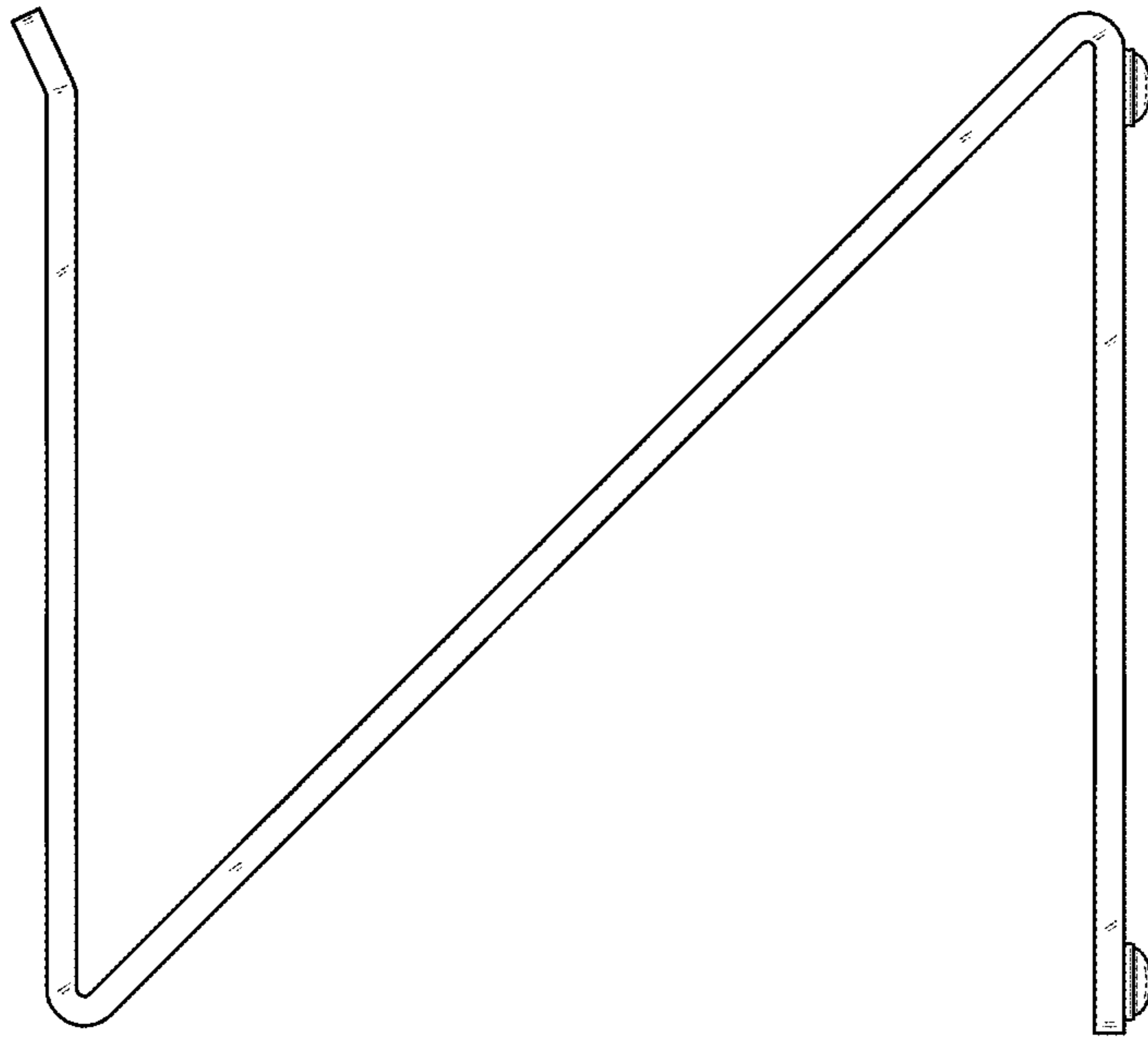


FIG. 5

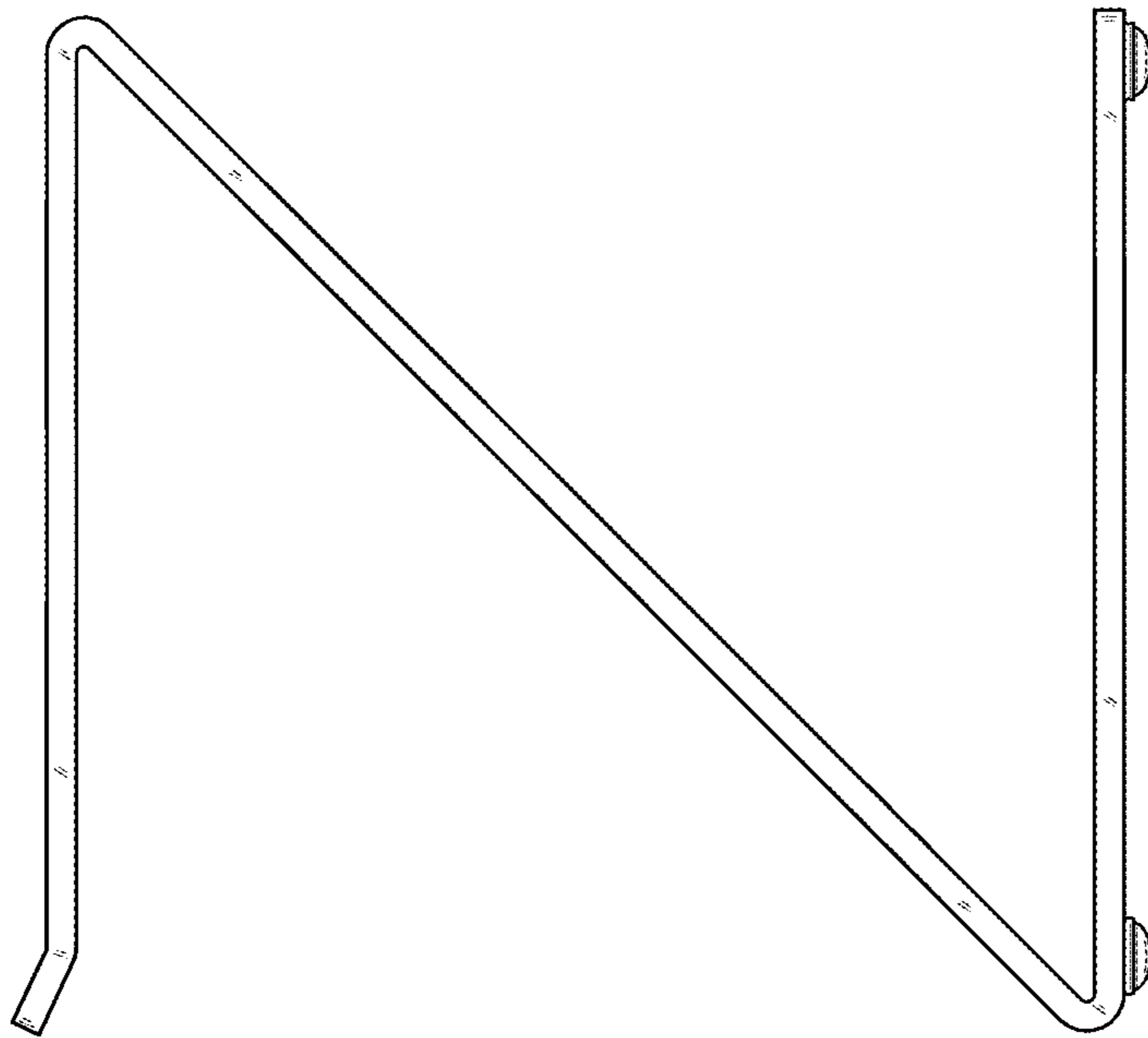


FIG. 4

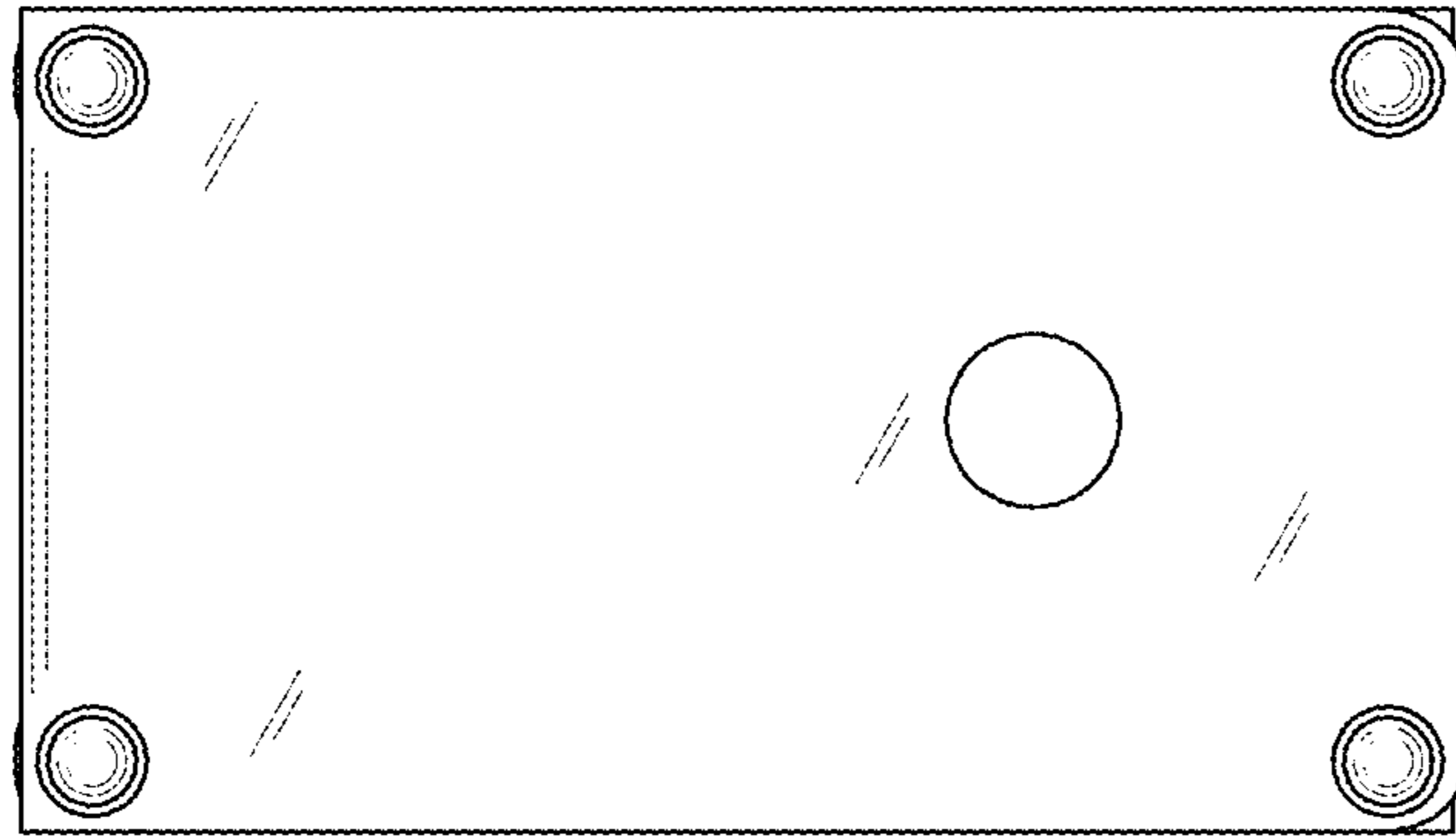


FIG. 6

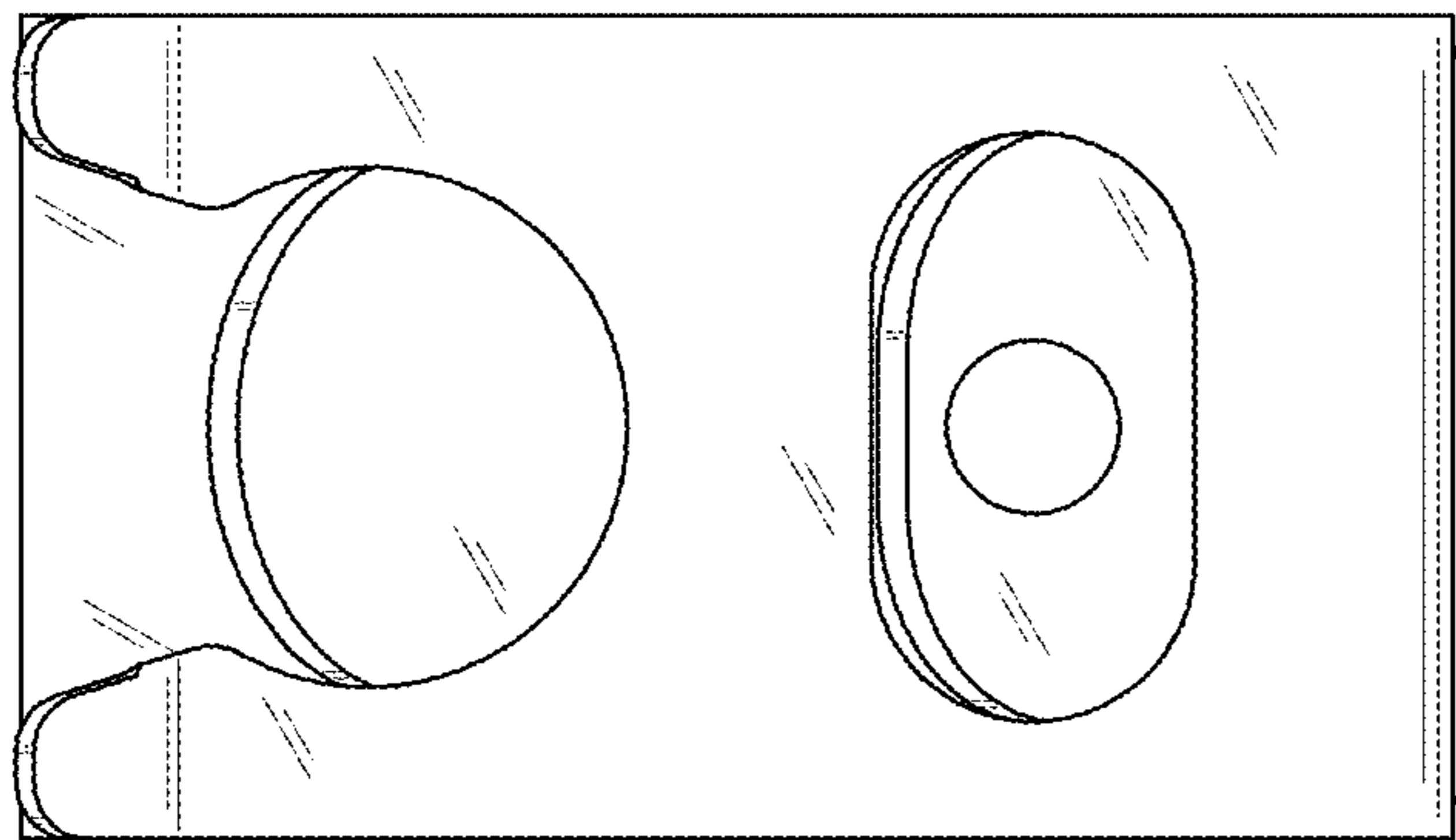


FIG. 7