



US00D792718S

(12) **United States Design Patent**
Grabowski et al.

(10) **Patent No.:** **US D792,718 S**
(45) **Date of Patent:** **** Jul. 25, 2017**

(54) **CHAIR**

(71) Applicant: **Ditto Sales, Inc.**, Jasper, IN (US)

(72) Inventors: **Daniel Grabowski**, East Grand Rapids, MI (US); **Michael A. Johnson**, West Olive, MI (US); **Dmitrii M. Marinin**, Jasper, IN (US); **Erik L. Dismore**, Ireland, IN (US); **Charles G. Wagner**, Jasper, IN (US)

(73) Assignee: **Ditto Sales, Inc./Versteel**, Jasper, IN (US)

(**) Term: **15 Years**

(21) Appl. No.: **29/536,129**

(22) Filed: **Aug. 13, 2015**

(51) **LOC (10) Cl.** **06-01**

(52) **U.S. Cl.**
USPC **D6/375**

(58) **Field of Classification Search**
USPC D6/334-336, 371-373, 374, 375, 376, D6/379, 380, 716, 716.1, 716.2, 716.3, D6/716.4
CPC A47C 3/04; A47C 3/12; A47C 4/02; A47C 4/03; A47C 5/04; A47C 5/12; A47C 7/16
See application file for complete search history.

(56) **References Cited**

U.S. PATENT DOCUMENTS

D183,009 S * 6/1958 Mackintosh D6/375
D374,130 S * 10/1996 Braun D6/379

D519,294 S * 4/2006 Frenkler D6/374
D566,412 S * 4/2008 de Brabandere D6/375
D648,562 S * 11/2011 Lievore D6/375
D648,563 S * 11/2011 Lievore D6/375
D663,132 S * 7/2012 Morrison D6/375
D665,593 S * 8/2012 Morrison D6/375
D666,428 S * 9/2012 Morrison D6/375
D715,569 S * 10/2014 Laub D6/375
D715,570 S * 10/2014 Laub D6/375
D715,571 S * 10/2014 Laub D6/375
D762,999 S * 8/2016 Huang D6/375

* cited by examiner

Primary Examiner — Mimosa De

(74) *Attorney, Agent, or Firm* — Maginot, Moore & Beck, LLP

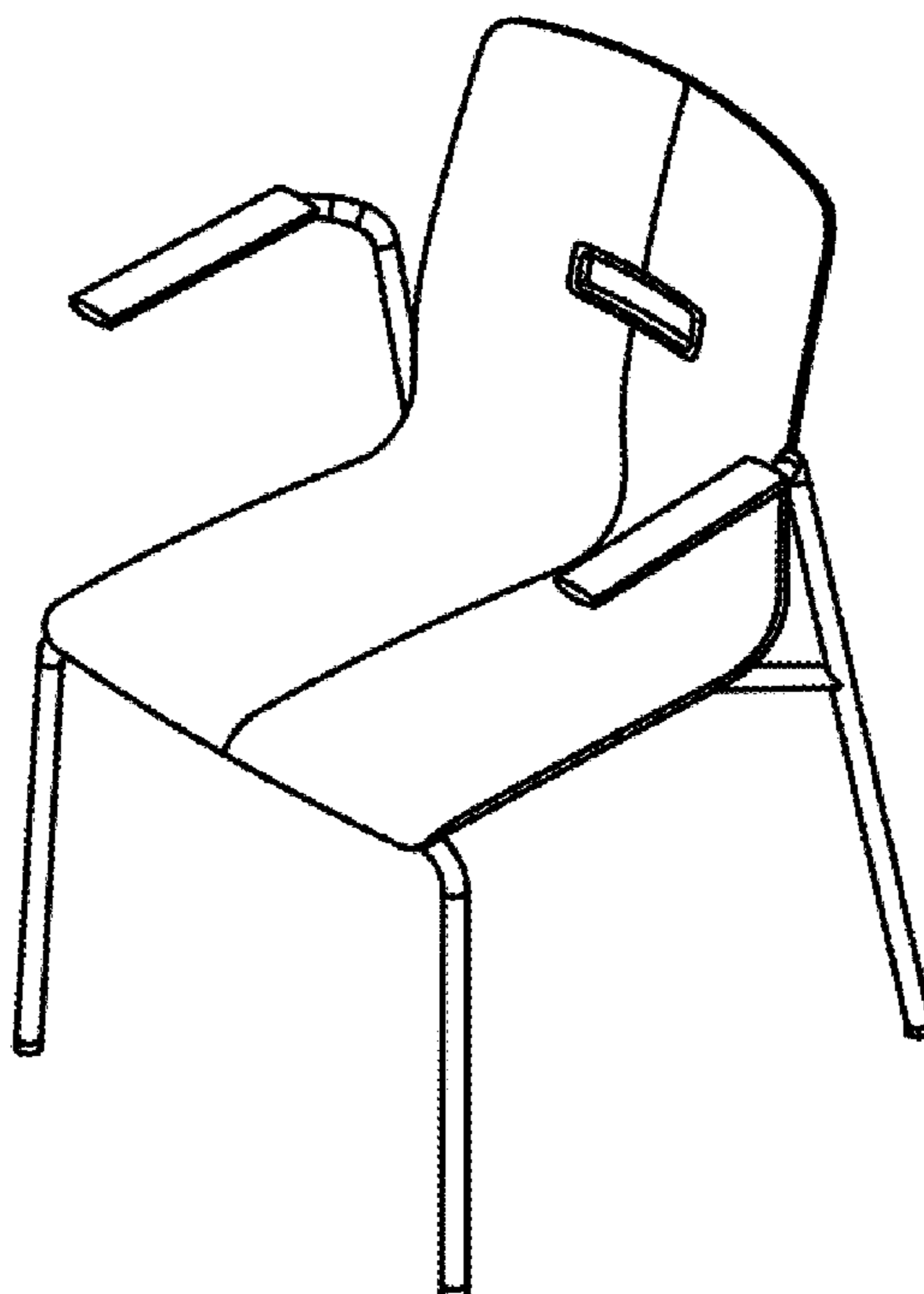
(57) **CLAIM**

The ornamental design for a chair, as shown and described.

DESCRIPTION

FIG. 1 is a front perspective view of a design for a chair; FIG. 2 is a front elevational view of the design shown in FIG. 1; FIG. 3 is a top plan view of the design shown in FIG. 1; FIG. 4 is a bottom plan view of the design shown in FIG. 1; FIG. 5 is an enlargement from FIG. 4; FIG. 6 is an enlargement from FIG. 4; FIG. 7 is an enlargement from FIG. 4; FIG. 8 is a side elevational view of the design shown in FIG. 1 in which the opposite side is a mirror image; and, FIG. 9 is an enlargement from FIG. 8. The broken lines shown in the drawings illustrate portions of the chair that form no part of the claimed design.

1 Claim, 2 Drawing Sheets



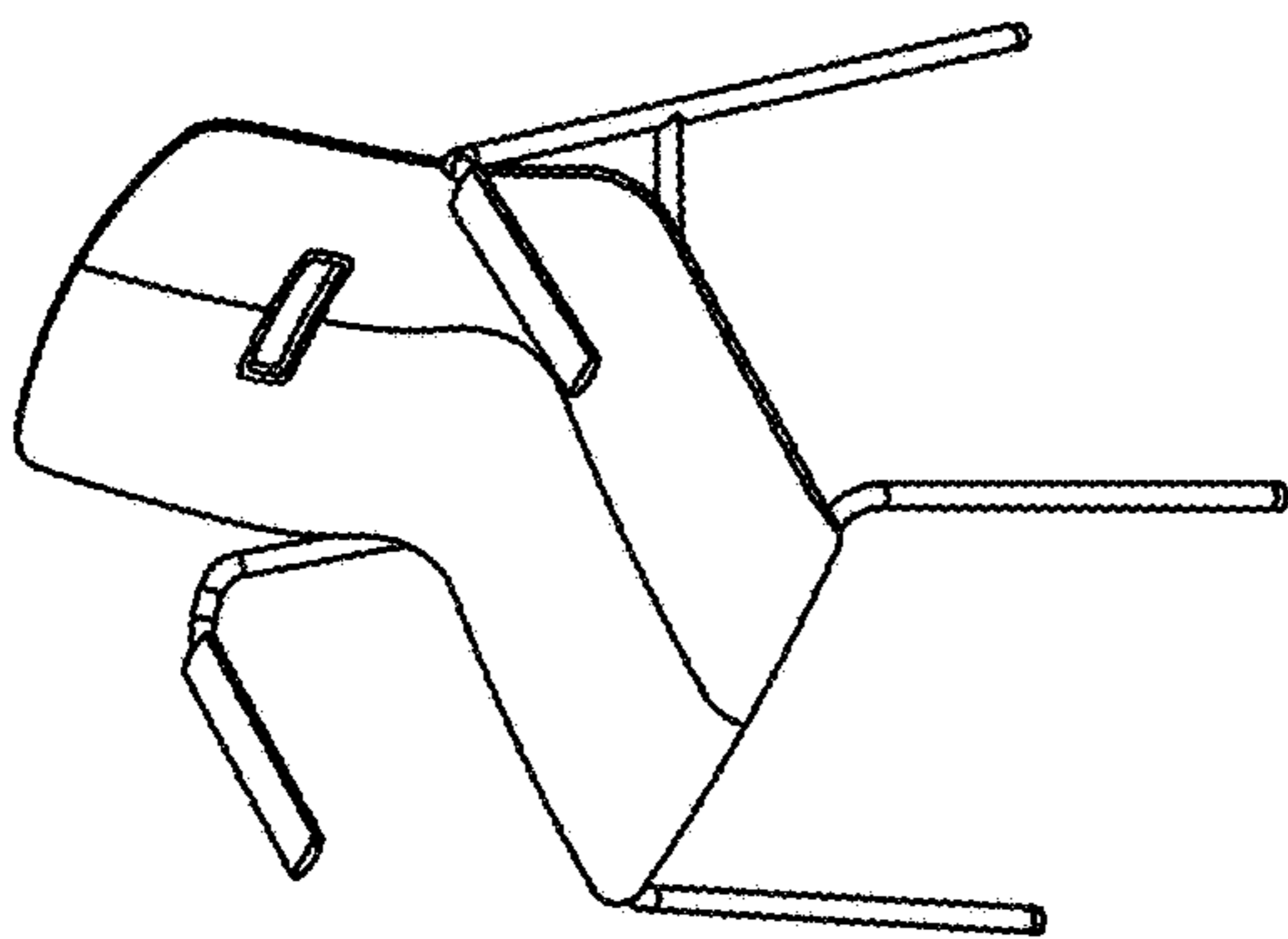


FIG. 1

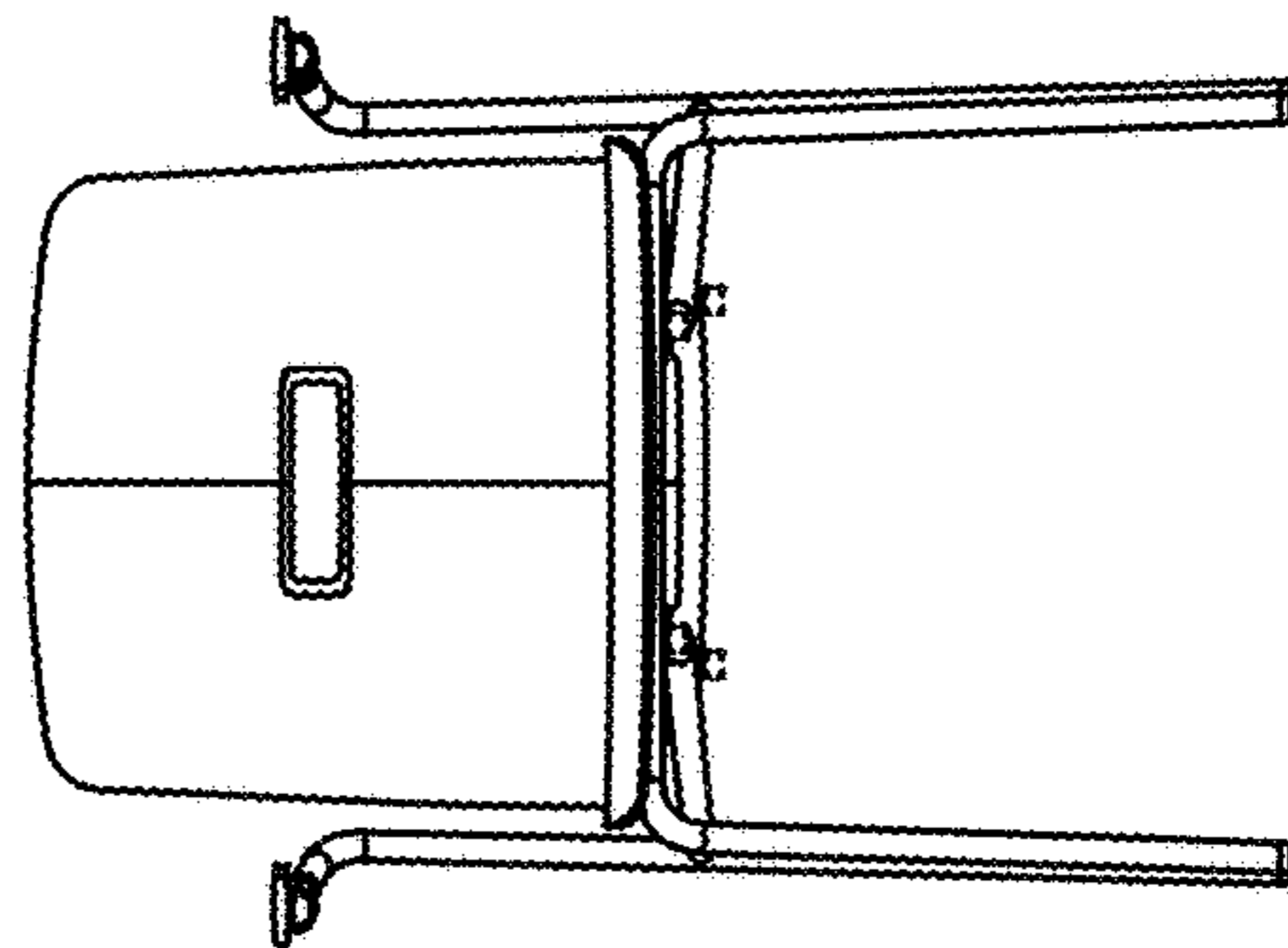


FIG. 2

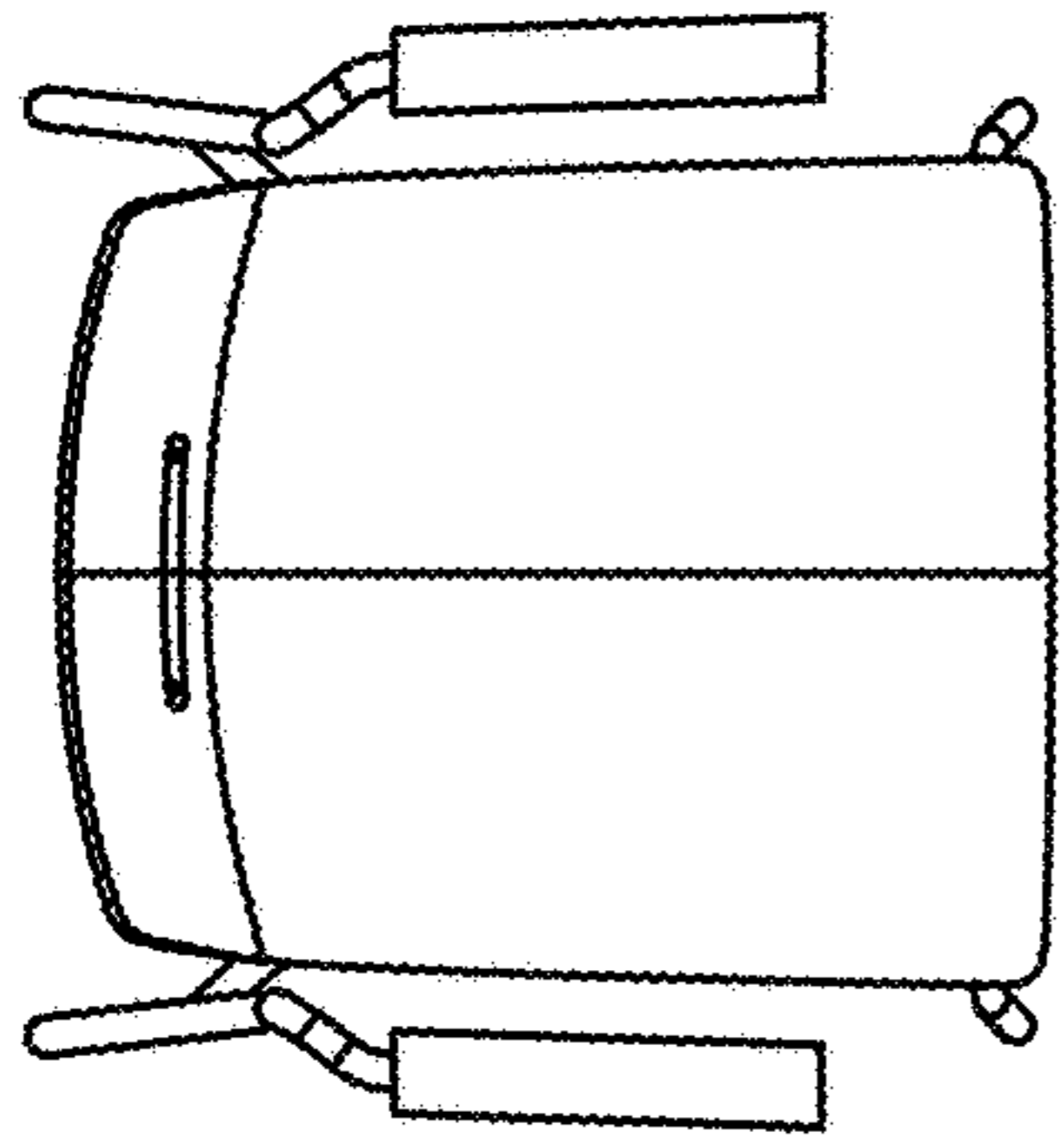


FIG. 3

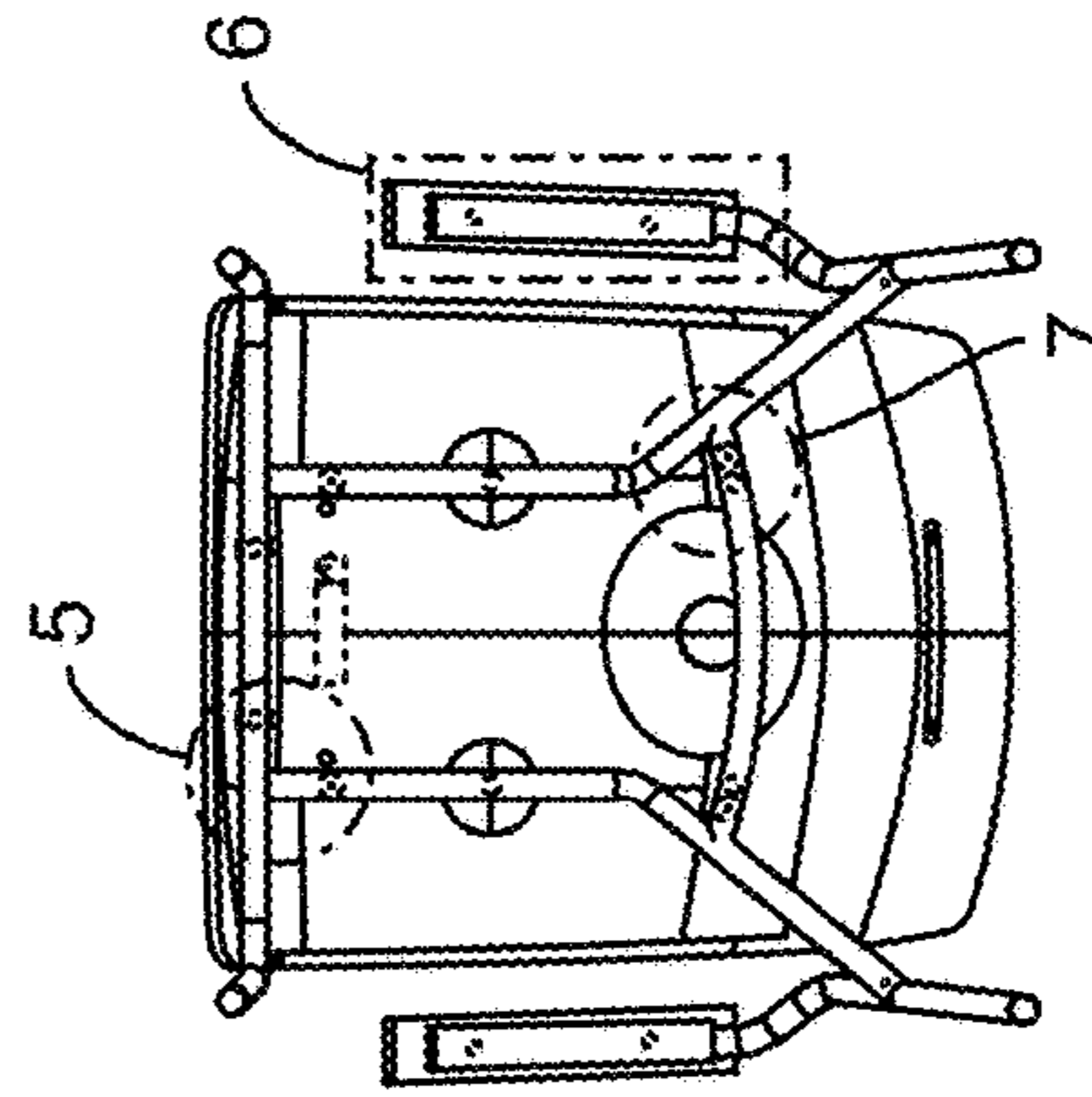


FIG. 4

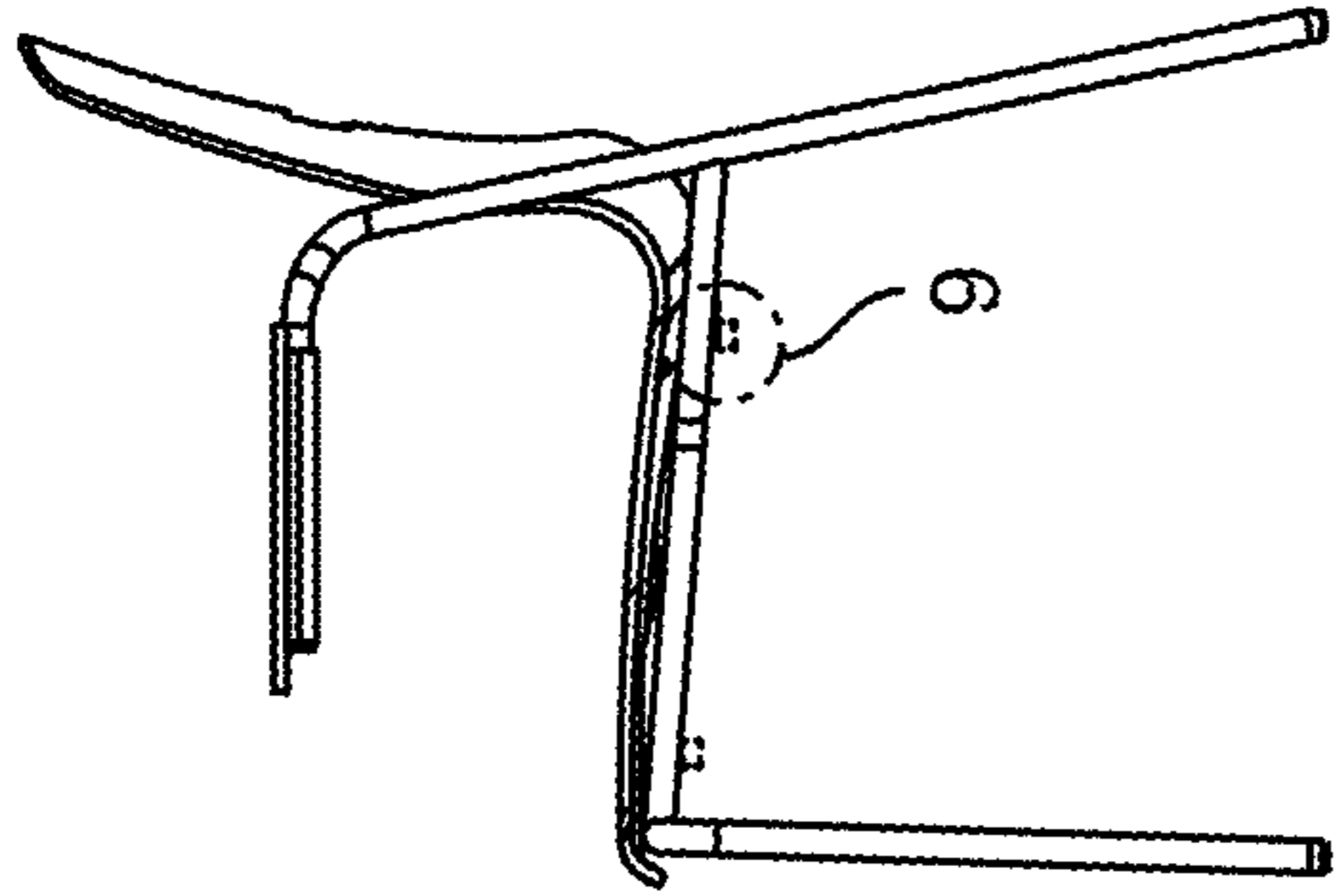


FIG. 8

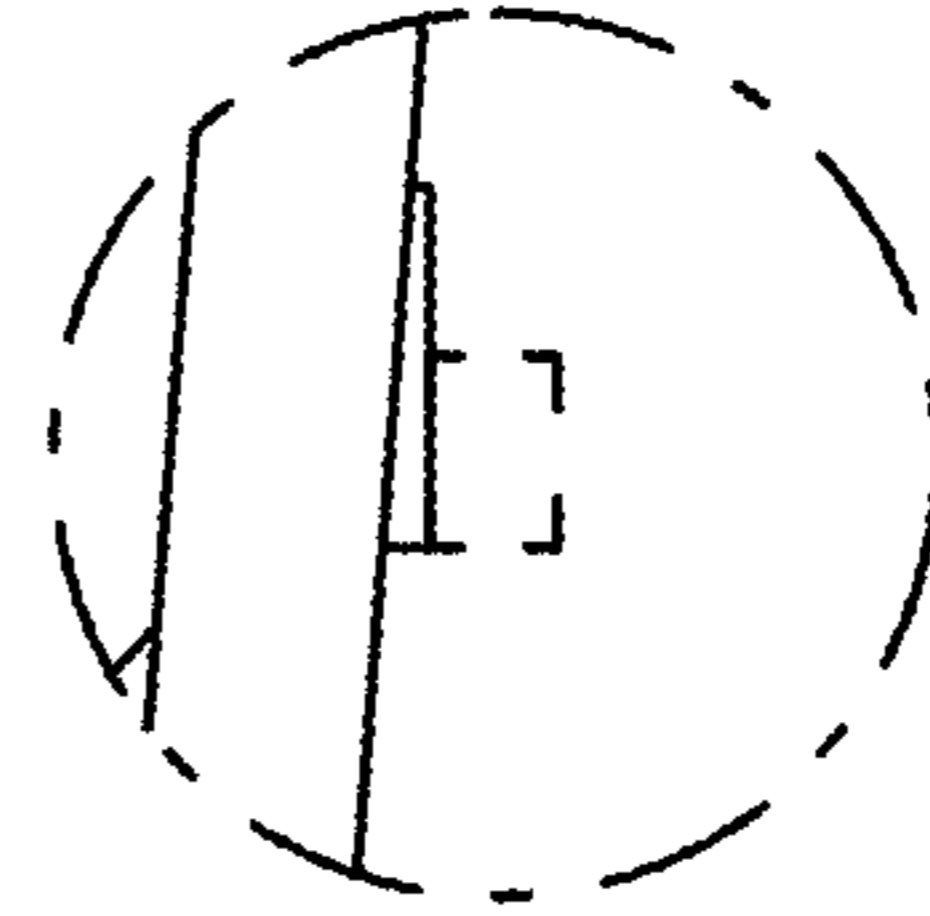


FIG. 9

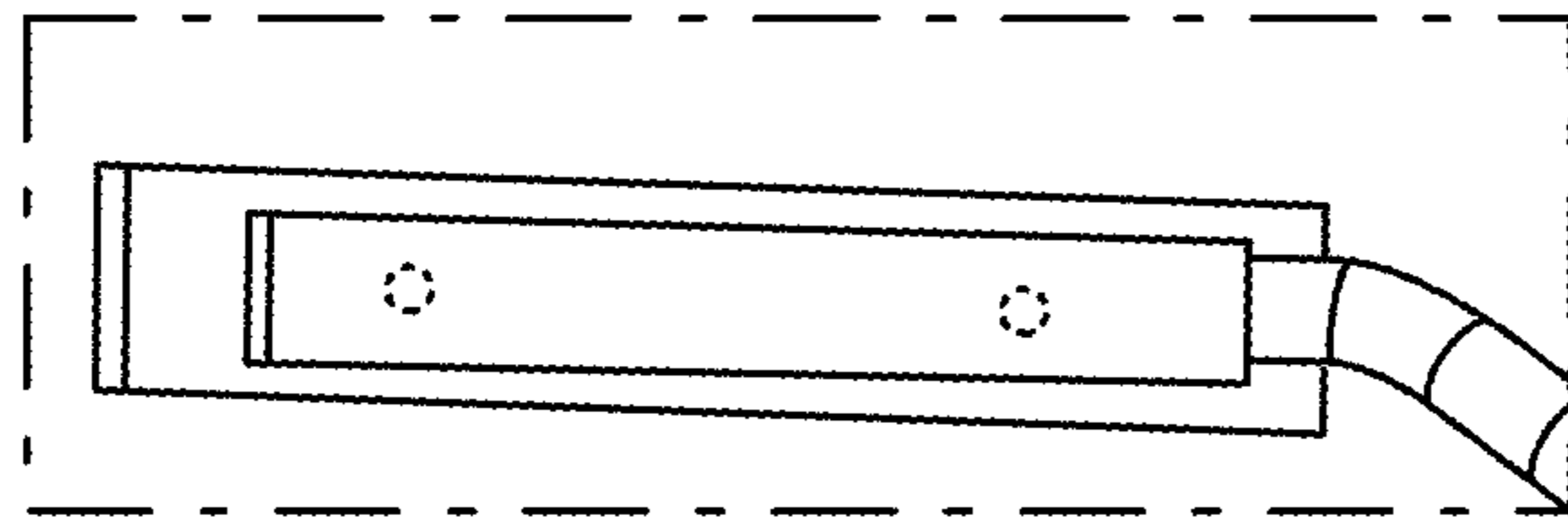


FIG. 6

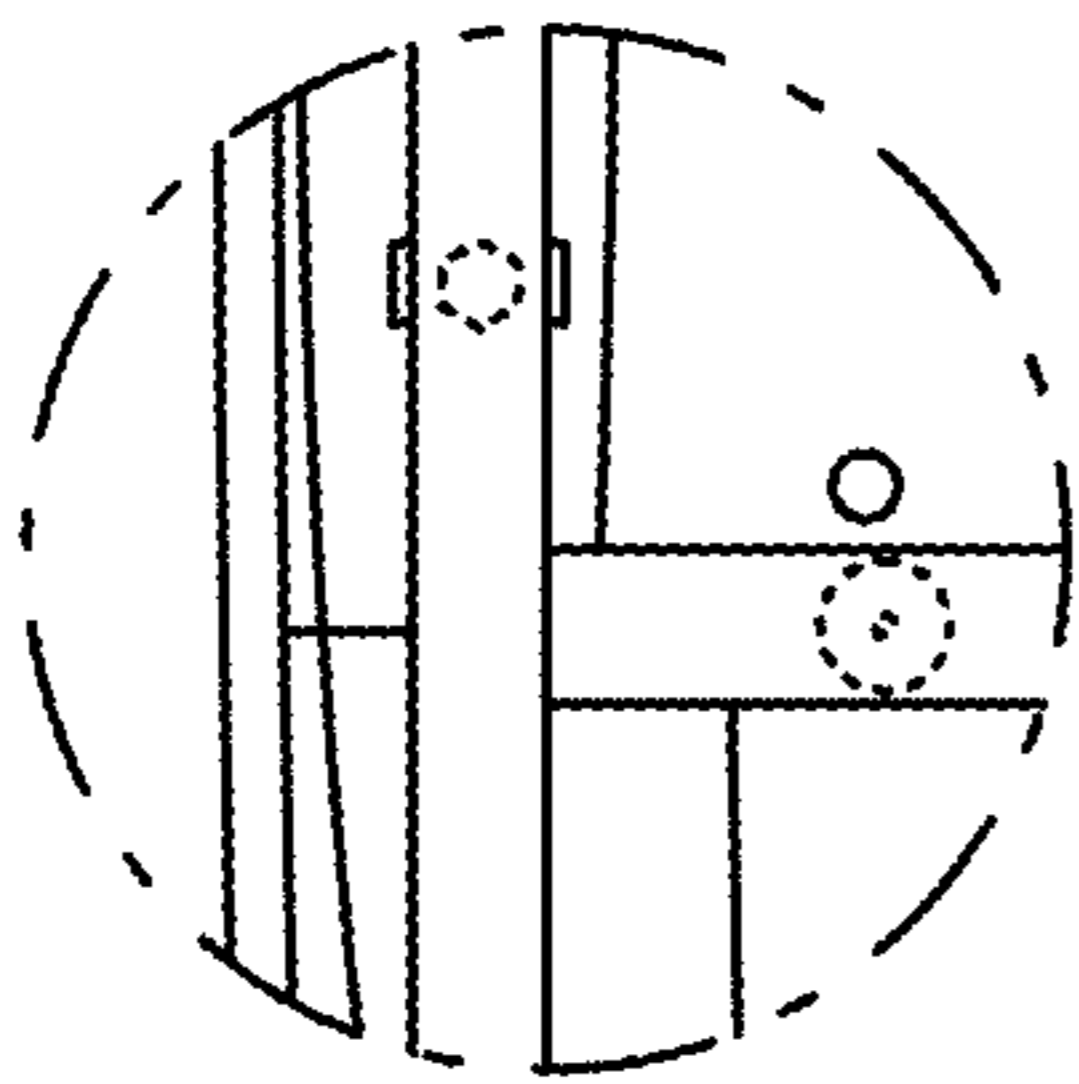


FIG. 5

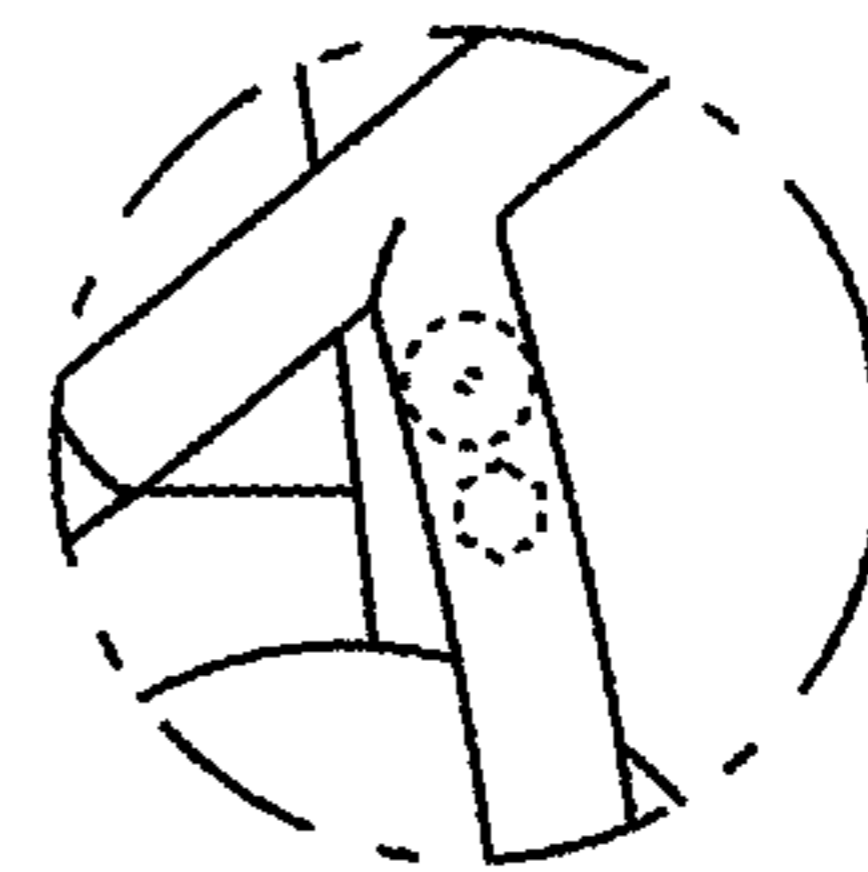


FIG. 7