



US00D792717S

(12) **United States Design Patent**
Webb

(10) **Patent No.:** **US D792,717 S**
(45) **Date of Patent:** **** Jul. 25, 2017**

(54) **CHAIR**

(71) Applicant: **Roger Webb**, London (GB)

(72) Inventor: **Roger Webb**, London (GB)

(**) Term: **15 Years**

(21) Appl. No.: **29/552,096**

(22) Filed: **Jan. 20, 2016**

(30) **Foreign Application Priority Data**

Jul. 24, 2015 (EM) 001437537

(51) **LOC (10) Cl.** **06-01**

(52) **U.S. Cl.**
USPC **D6/366**

(58) **Field of Classification Search**
USPC D6/334-336, 364, 365, 366, 374, 379,
D6/380, 716, 716.1, 716.2, 716.4, 716.5
CPC .. A47C 7/38; A47C 7/022; A47C 7/40; A47C
7/18; A47C 7/004; A47C 4/028; A47C
7/383; A47C 7/46; A47C 7/54; B60N
2/66

See application file for complete search history.

(56) **References Cited**

U.S. PATENT DOCUMENTS

7,159,943 B2 * 1/2007 Costaglia A47C 7/46
297/301.4
D542,580 S * 5/2007 Loew D6/366
7,334,845 B2 * 2/2008 Peterson A47C 7/022
297/452.3
7,344,194 B2 * 3/2008 Maier A47C 7/46
297/284.4

7,347,495 B2 * 3/2008 Beyer A47C 7/46
297/284.3
D650,617 S * 12/2011 Chen D6/366
D655,524 S * 3/2012 Kim D6/366
D665,590 S * 8/2012 Wagner D6/366
D673,394 S * 1/2013 Hurford D6/716
D694,541 S * 12/2013 Breen D6/366
D697,330 S * 1/2014 Chen D6/366
D703,966 S * 5/2014 Wu D6/366
D707,976 S * 7/2014 Smith D6/366
D724,367 S * 3/2015 Sander D6/366
D734,971 S * 7/2015 Izawa D6/716.4
D755,532 S * 5/2016 Su D6/366
D767,320 S * 9/2016 Xingchang D6/716.4

* cited by examiner

Primary Examiner — Mimosa De

(74) *Attorney, Agent, or Firm* — The Belles Group, P.C.

(57) **CLAIM**

I claim the ornamental design for a chair, as shown and described.

DESCRIPTION

FIG. 1 is a front perspective view of a chair showing my new design;
FIG. 2 is a rear perspective view thereof;
FIG. 3 is a front view thereof;
FIG. 4 is a rear view thereof;
FIG. 5 is a right-side view thereof;
FIG. 6 is a left-side view thereof;
FIG. 7 is a top view thereof; and,
FIG. 8 is a bottom view thereof.

The broken lines in the drawings are included to show portions of the article that form no part of the claimed design.

1 Claim, 8 Drawing Sheets





FIG. 1

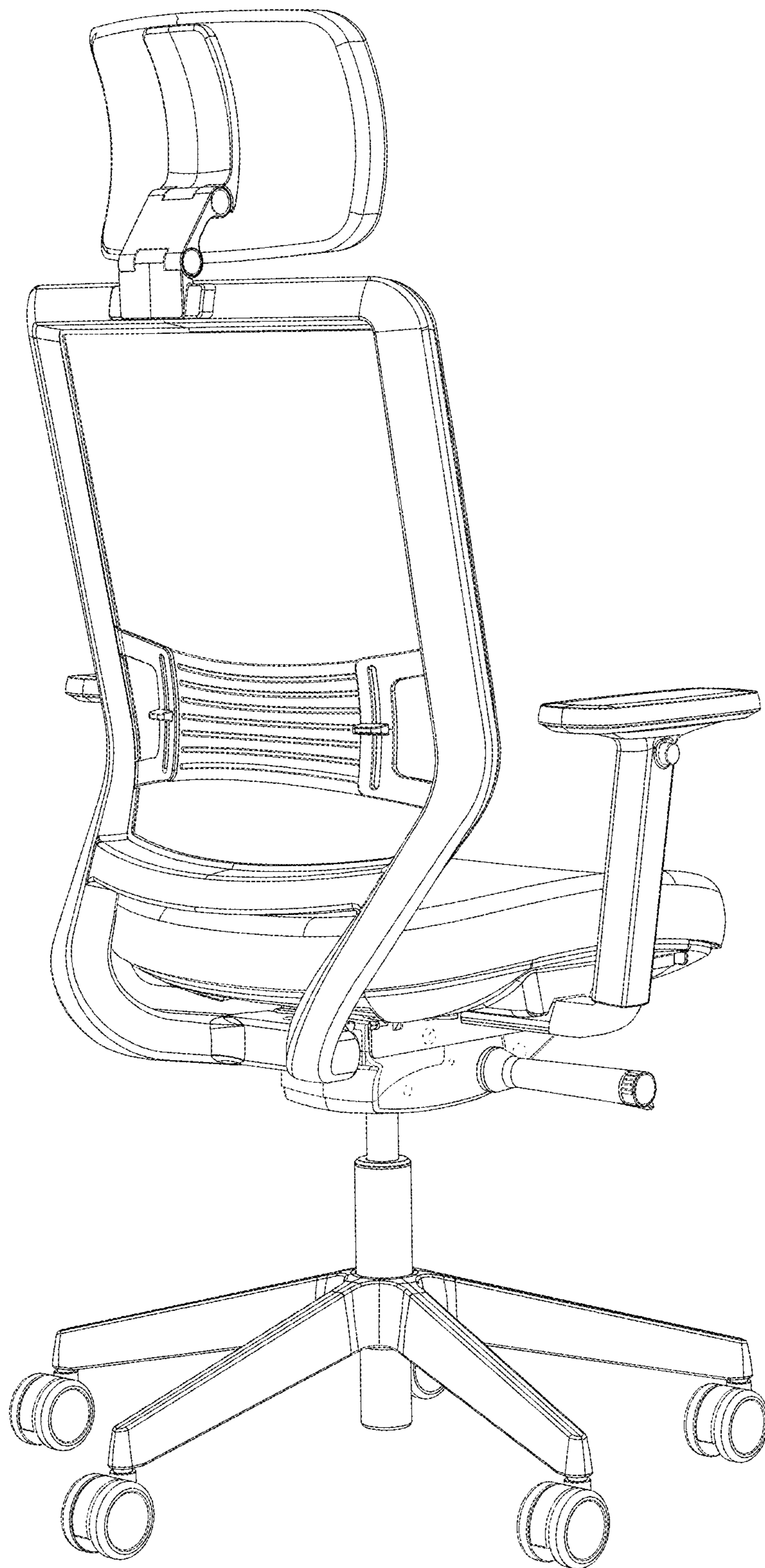


FIG. 2

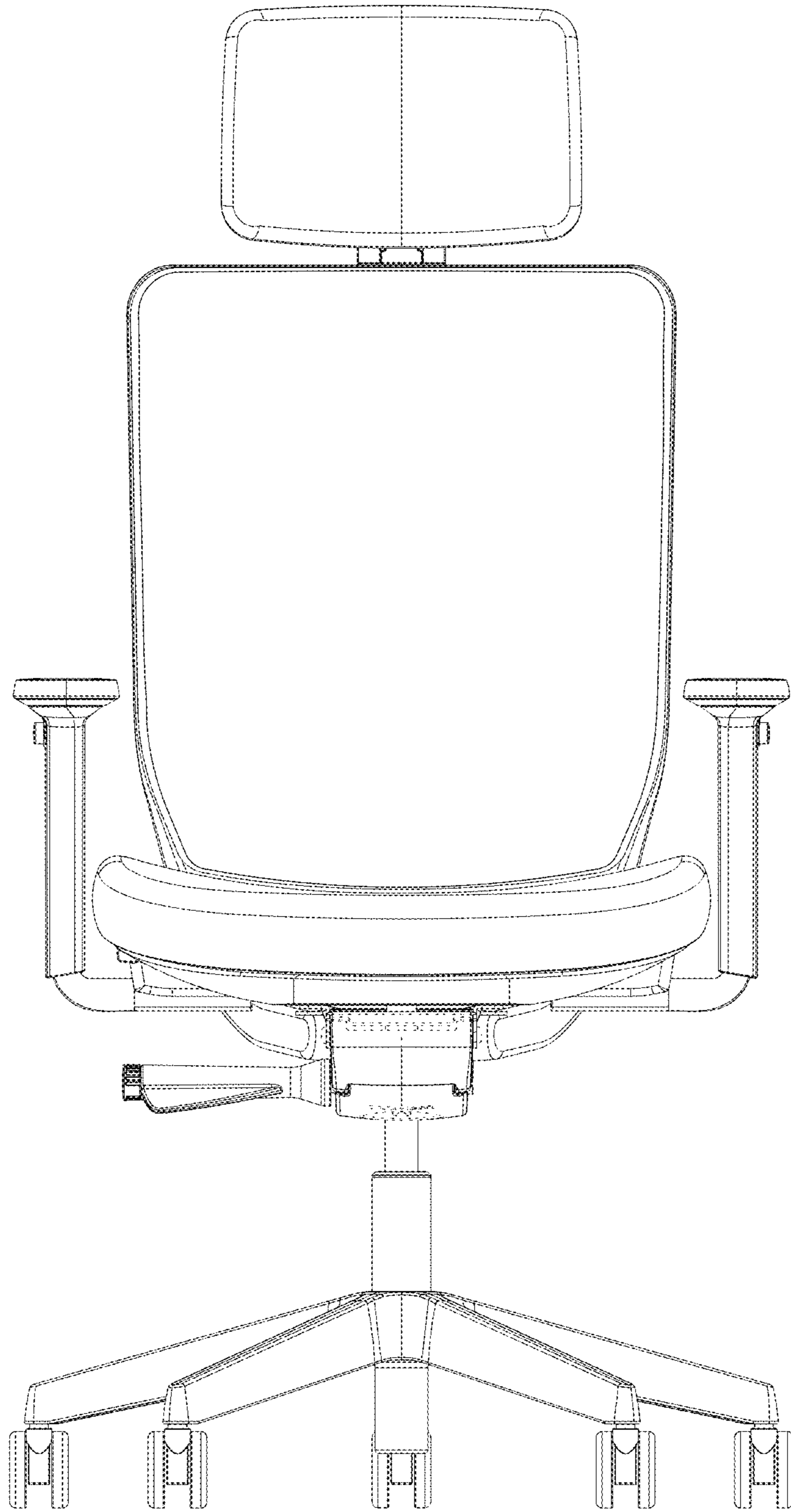


FIG. 3

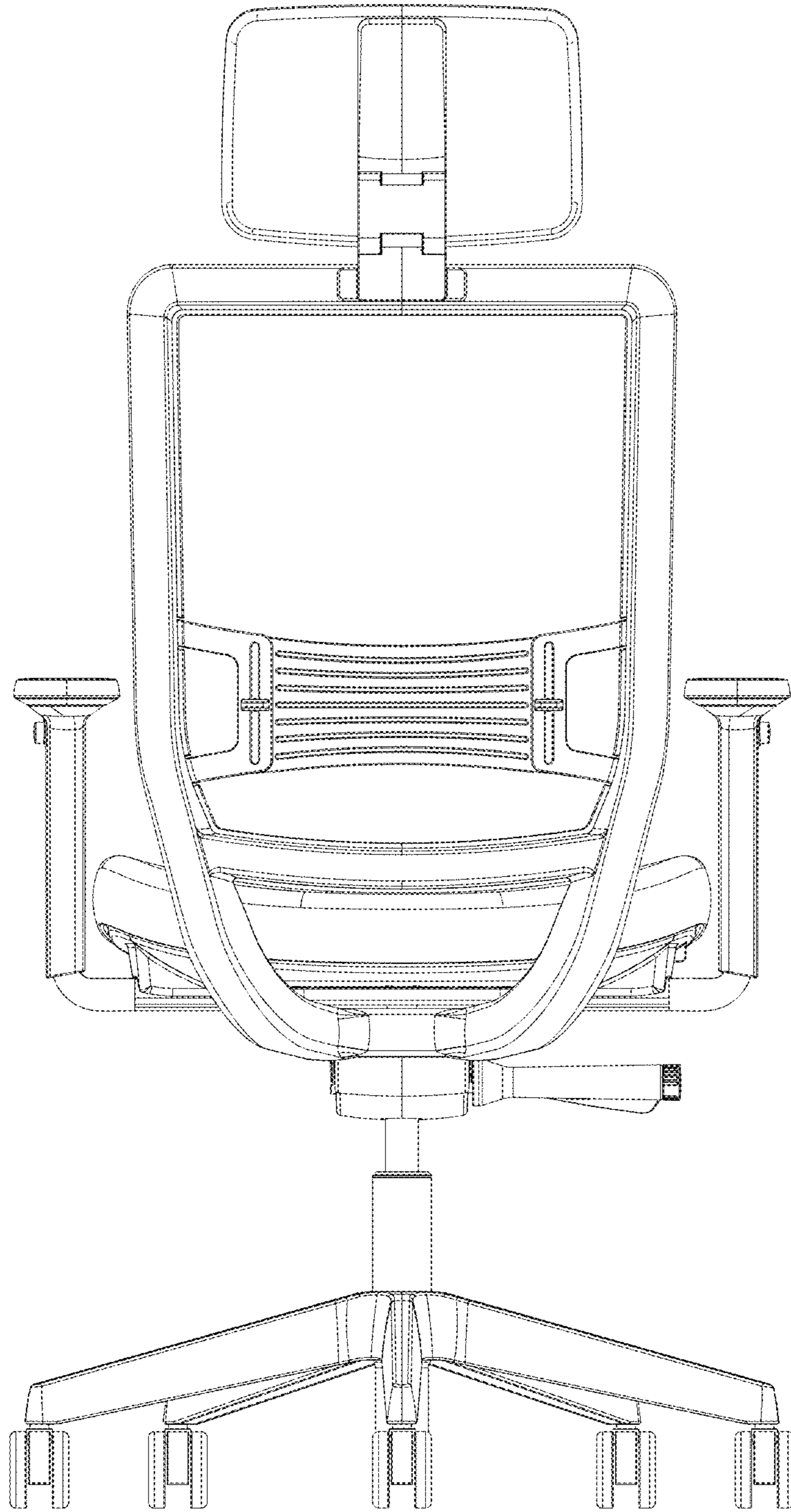


FIG. 4

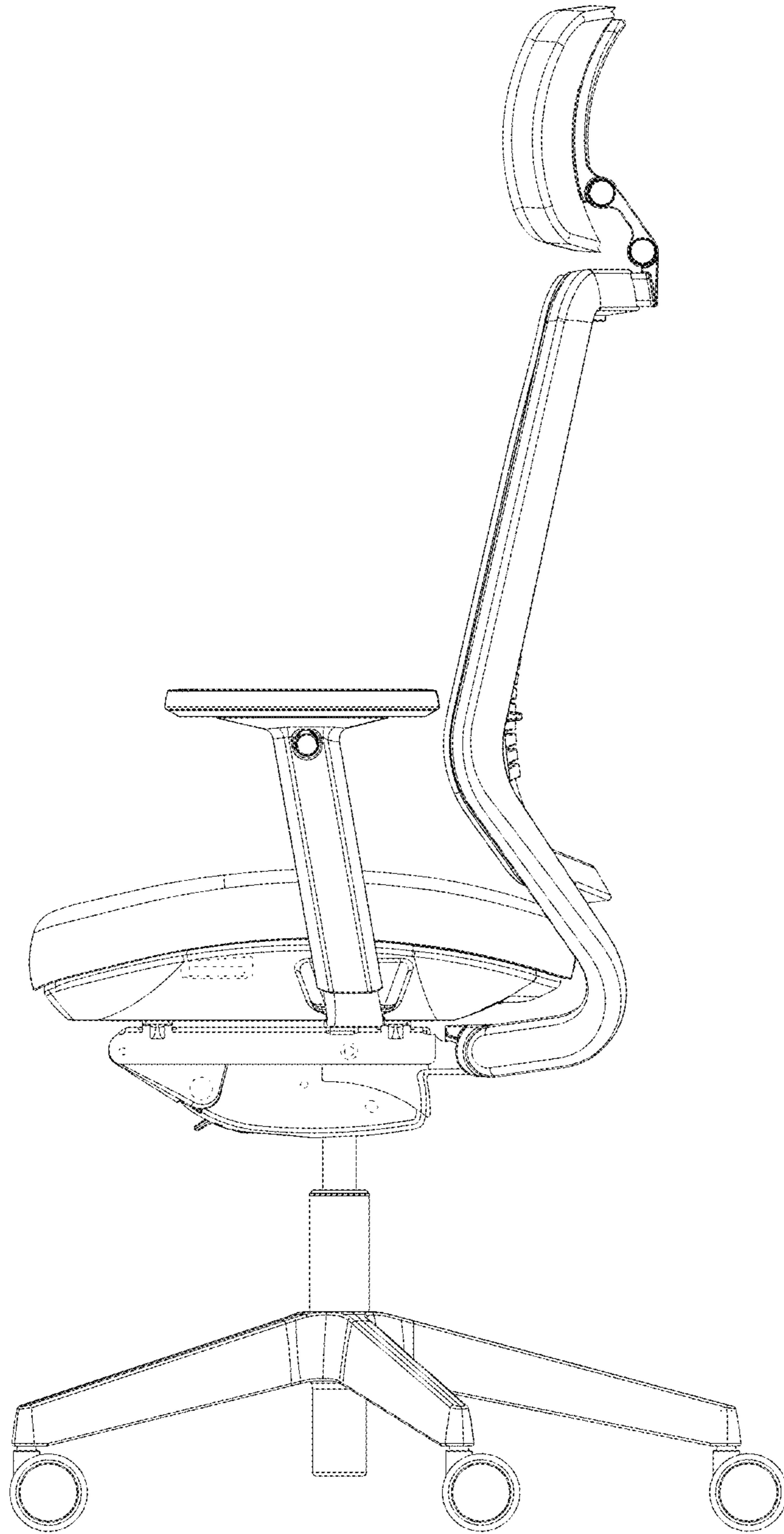


FIG. 5

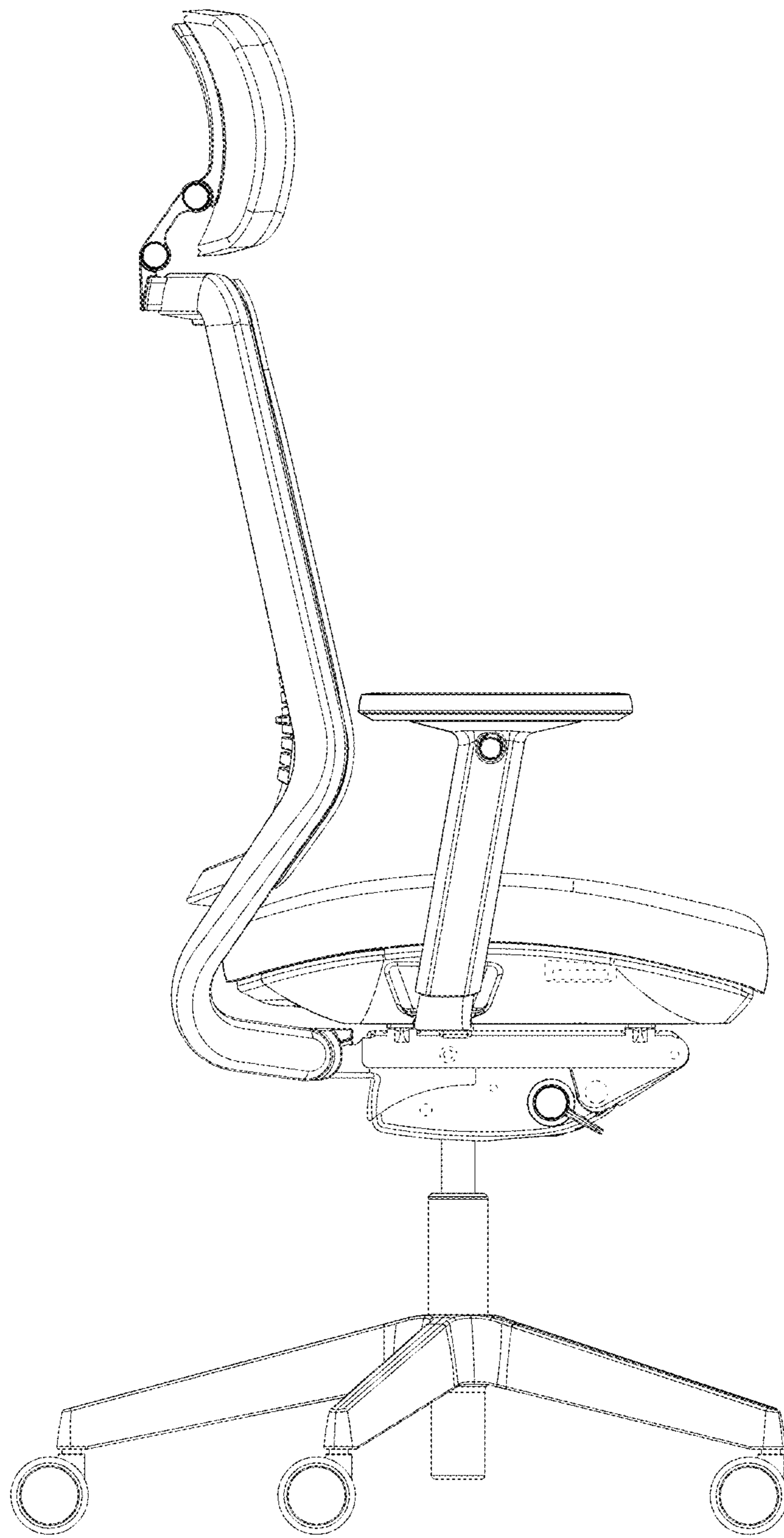


FIG. 6

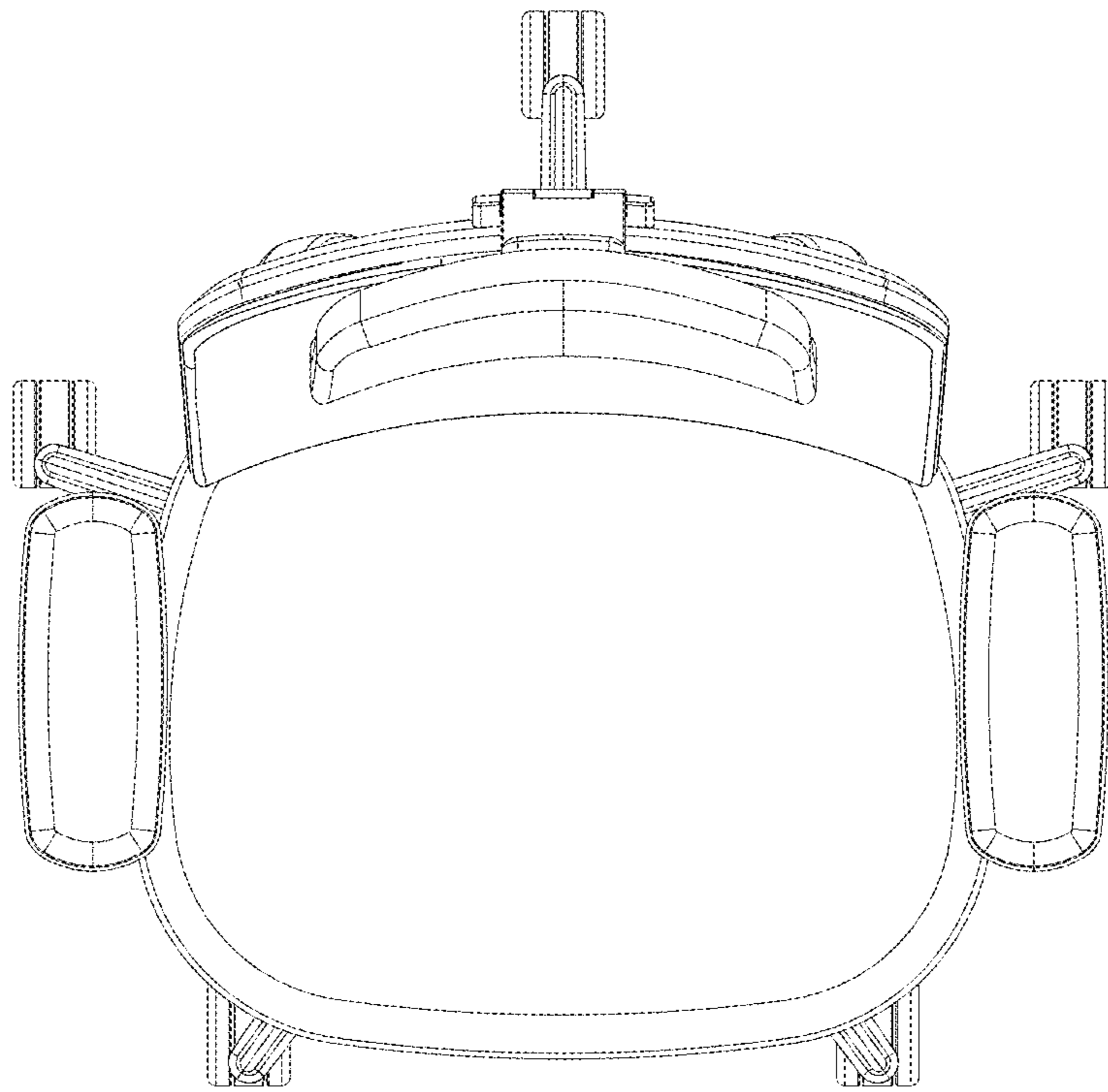


FIG. 7

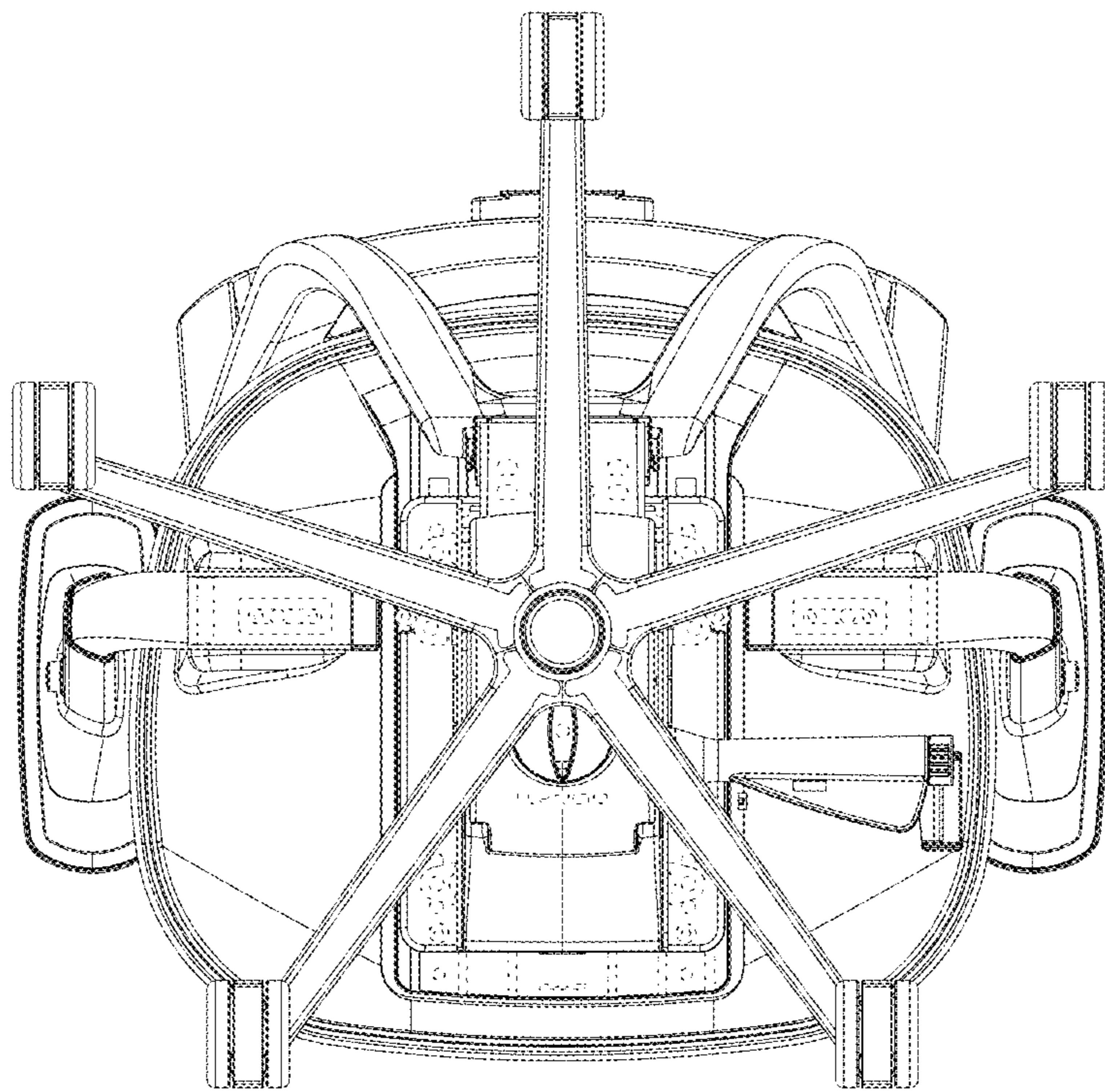


FIG. 8