



US00D792715S

(12) **United States Design Patent**
Liu et al.

(10) **Patent No.:** **US D792,715 S**
(45) **Date of Patent:** **** Jul. 25, 2017**

(54) **LEG-CONTROL CUSHION FOR SCOOTERS**

(71) Applicant: **NINEBOT(BEIJING)TECH. CO.,LTD**, Beijing (CN)

(72) Inventors: **Lei Liu**, Beijing (CN); **Xudong Jiang**, Beijing (CN); **Hui Zhang**, Beijing (CN); **Ye Wang**, Beijing (CN)

(73) Assignee: **Ninebot (Beijing) Tech. Co., Ltd.**, Beijing (CN)

(**) Term: **15 Years**

(21) Appl. No.: **35/500,798**

(22) Filed: **Nov. 11, 2015**

(80) **Hague Agreement Data**

Int. Filing Date: **Nov. 11, 2015**
Int. Reg. No.: **DM/089914**
Int. Reg. Date: **Nov. 11, 2015**
Int. Reg. Pub. Date: **Apr. 8, 2016**

(30) **Foreign Application Priority Data**

May 12, 2015 (CN) 2015 3 0136757

(51) **LOC (10) Cl.** **06-04**

(52) **U.S. Cl.**
USPC **D6/354**

(58) **Field of Classification Search**

USPC D12/1; D6/354
CPC B62J 1/005; B62J 1/002; B60N 2/002
See application file for complete search history.

(56) **References Cited**

U.S. PATENT DOCUMENTS

531,333 A * 12/1894 Rogers B62J 1/005
297/201
701,390 A * 6/1902 Provoost B62J 1/005
297/201

4,387,925 A * 6/1983 Barker B62J 1/002
297/195.13
4,512,608 A * 4/1985 Erani B62J 1/002
297/195.12
D295,120 S * 4/1988 Gordon D6/354
5,387,025 A * 2/1995 Denisar B62J 1/002
297/201
5,709,430 A * 1/1998 Peters B62J 1/002
297/201
5,823,618 A * 10/1998 Fox B62J 1/005
297/195.1
D401,427 S * 11/1998 Jalkanen D6/354
6,068,333 A * 5/2000 Dixon B62J 1/002
297/195.13
6,652,025 B2 * 11/2003 Sylvester B62J 1/005
297/201
6,866,107 B2 3/2005 Heinzmann
6,907,949 B1 6/2005 Wang
D528,468 S 9/2006 Arling
7,243,572 B1 7/2007 Arling
D551,592 S 9/2007 Chang
D551,722 S 9/2007 Chang

(Continued)

Primary Examiner — George D Kirschbaum
(74) *Attorney, Agent, or Firm* — Oppedahl Patent Law Firm LLC

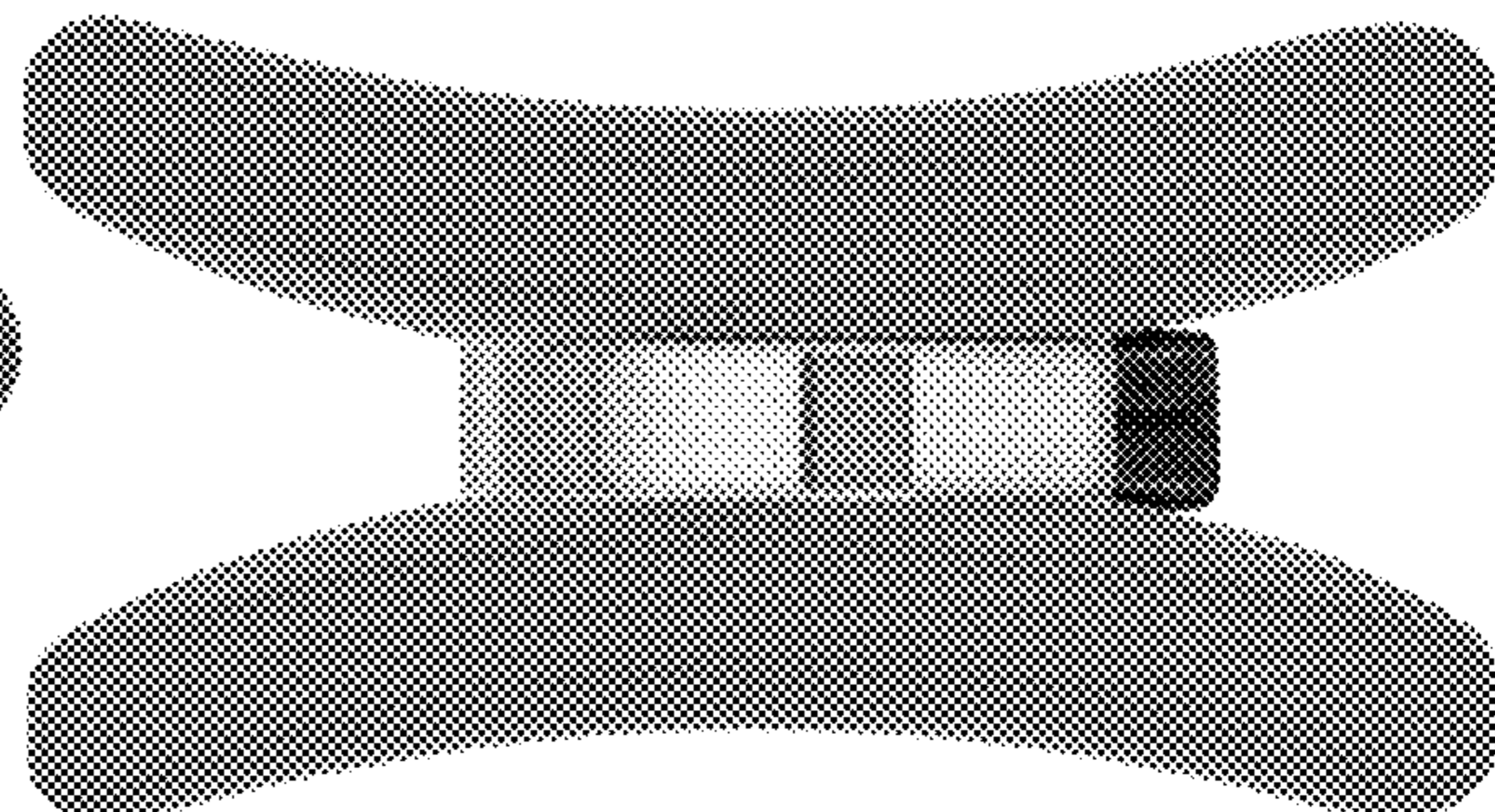
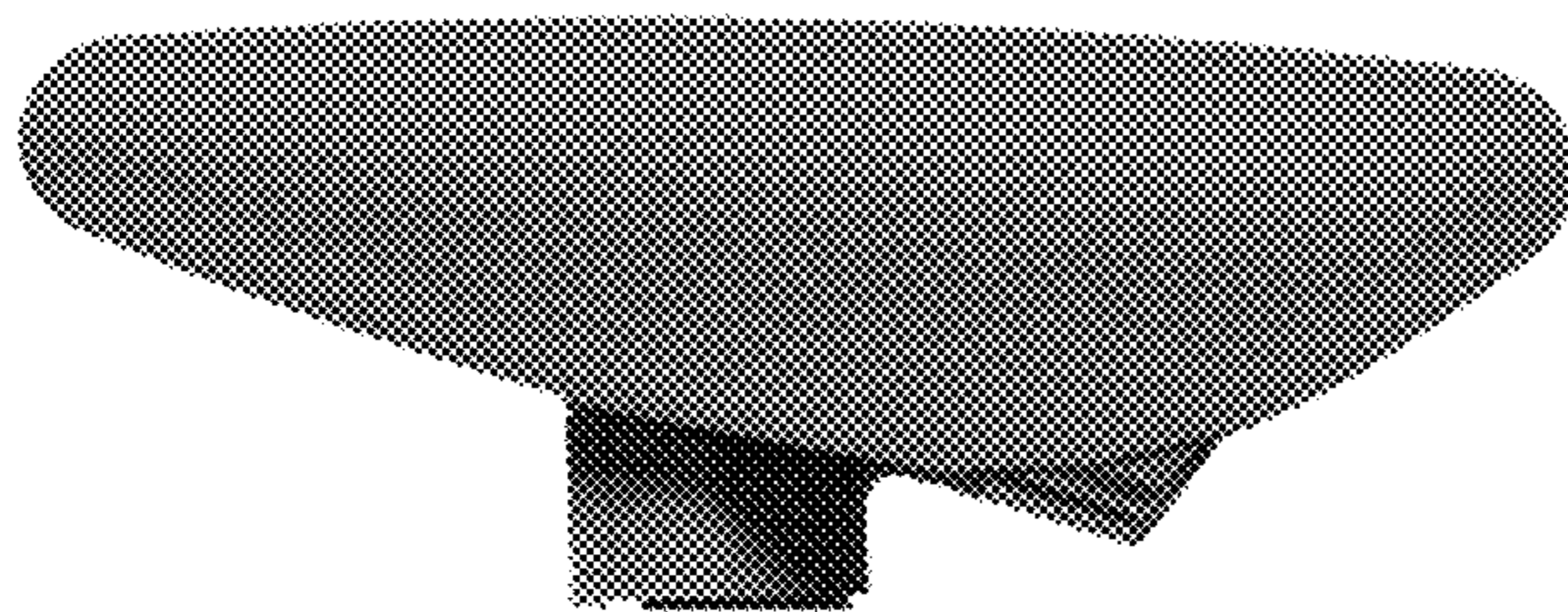
(57) **CLAIM**

The ornamental design for a leg-control cushion for scooters, as shown and described.

DESCRIPTION

- 1. Leg-control cushion for scooters
- 1.1 : Front
- 1.2 : Back
- 1.3 : Left
- 1.4 : Right
- 1.5 : Top
- 1.6 : Bottom
- 1.7 : Perspective
- 1.8 : Perspective

1 Claim, 8 Drawing Sheets



(56)

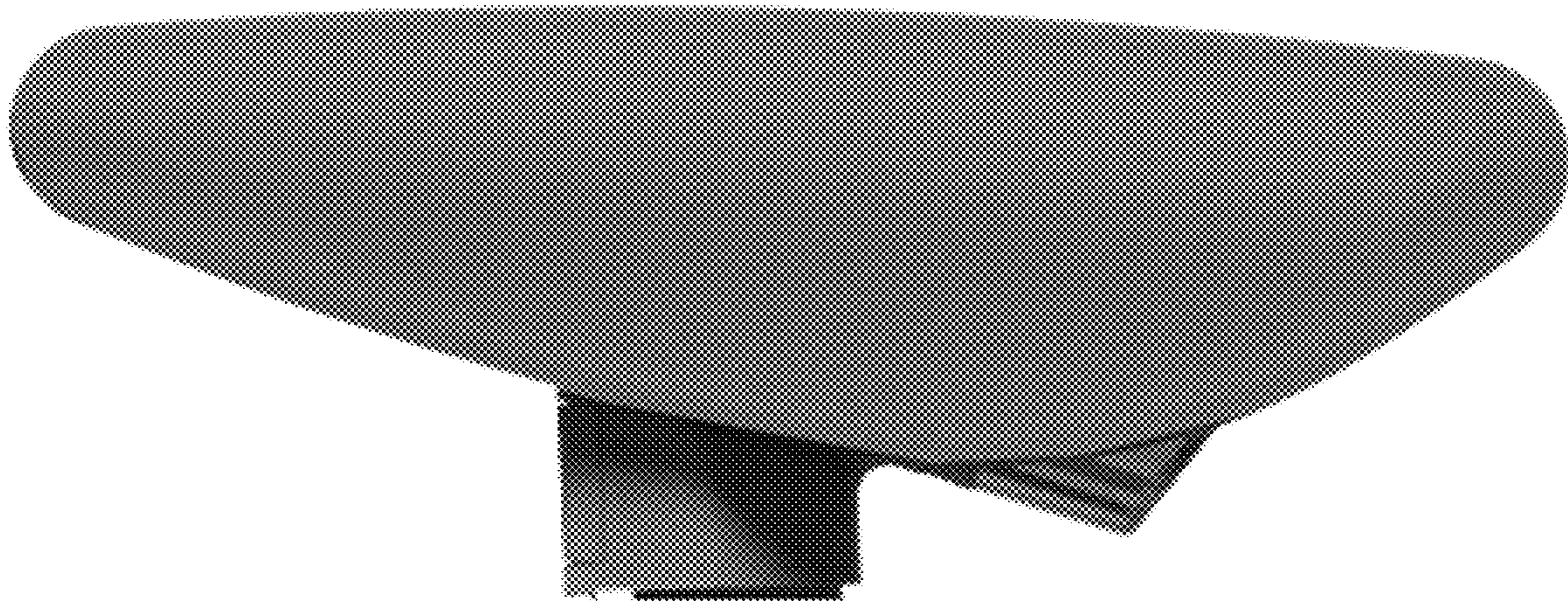
References Cited

U.S. PATENT DOCUMENTS

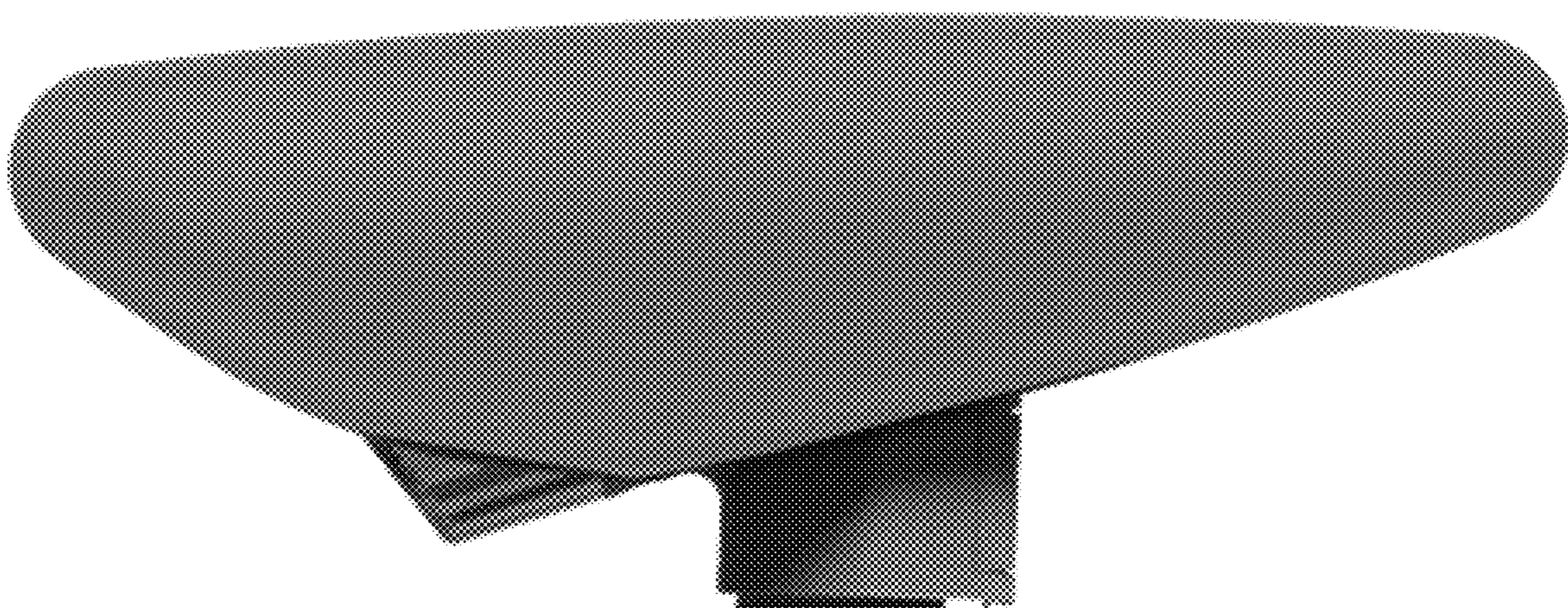
7,494,181	B2 *	2/2009	Tucker	B62J 1/005 248/298.1
8,201,653	B2 *	6/2012	Strassman	B60N 2/002 180/218
8,322,478	B2	12/2012	Kim	
8,453,768	B2	6/2013	Kamen	
D748,533	S	2/2016	Collins et al.	
9,400,502	B2	7/2016	Kamen et al.	
D774,600	S	12/2016	Tao	
2005/0134014	A1	6/2005	Xie	
2008/0245594	A1	10/2008	Ishii	

* cited by examiner

1.1



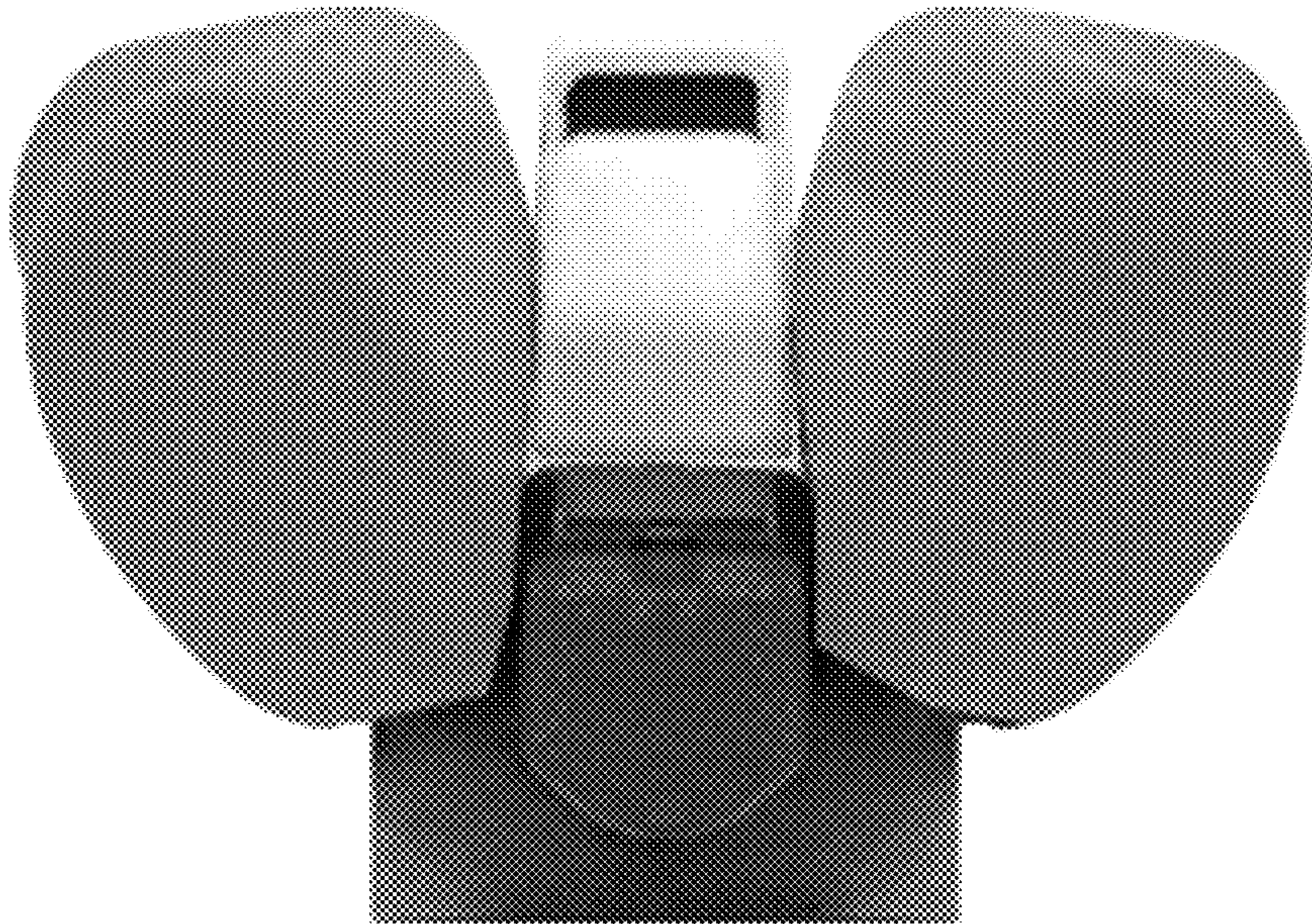
1.2



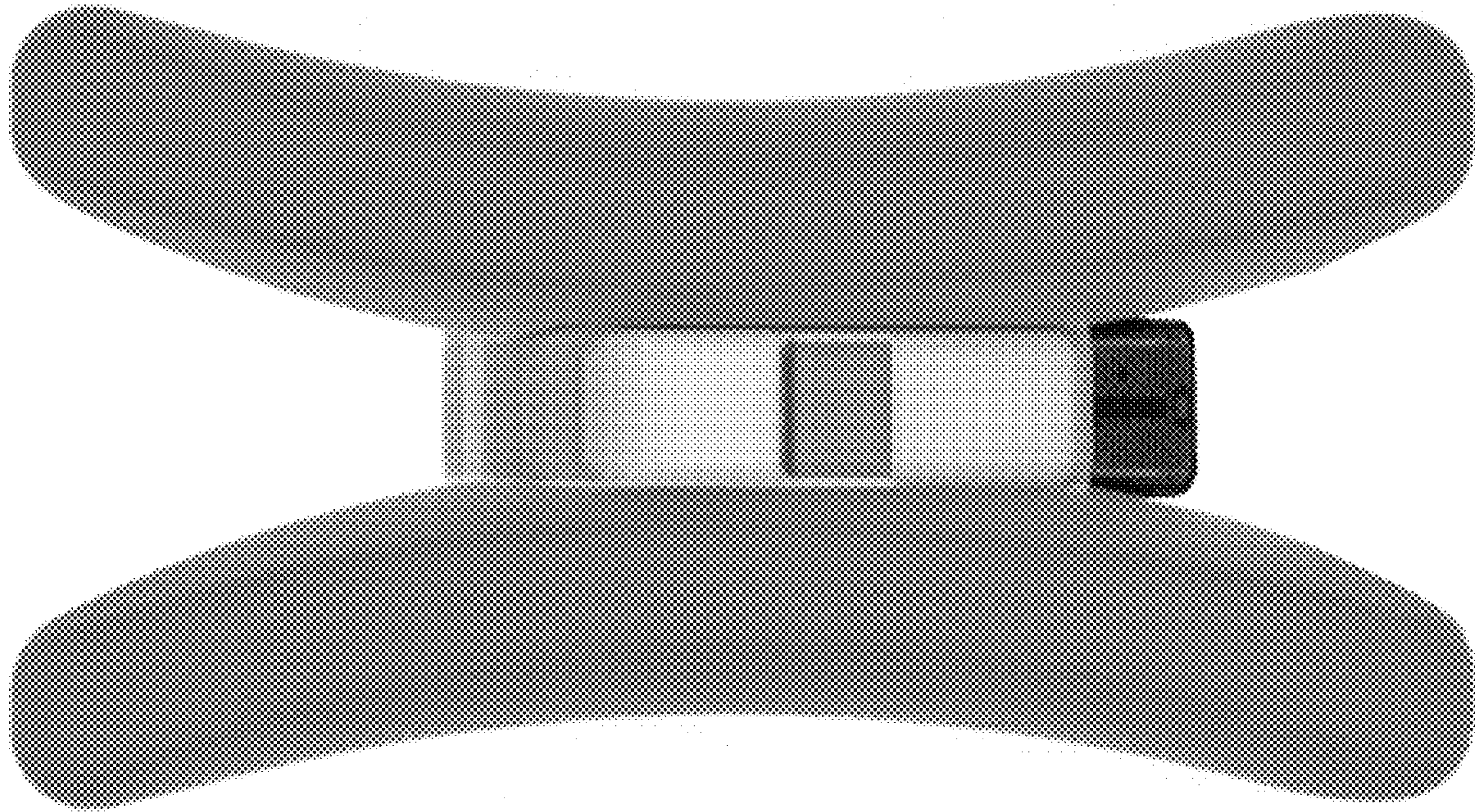
1.3



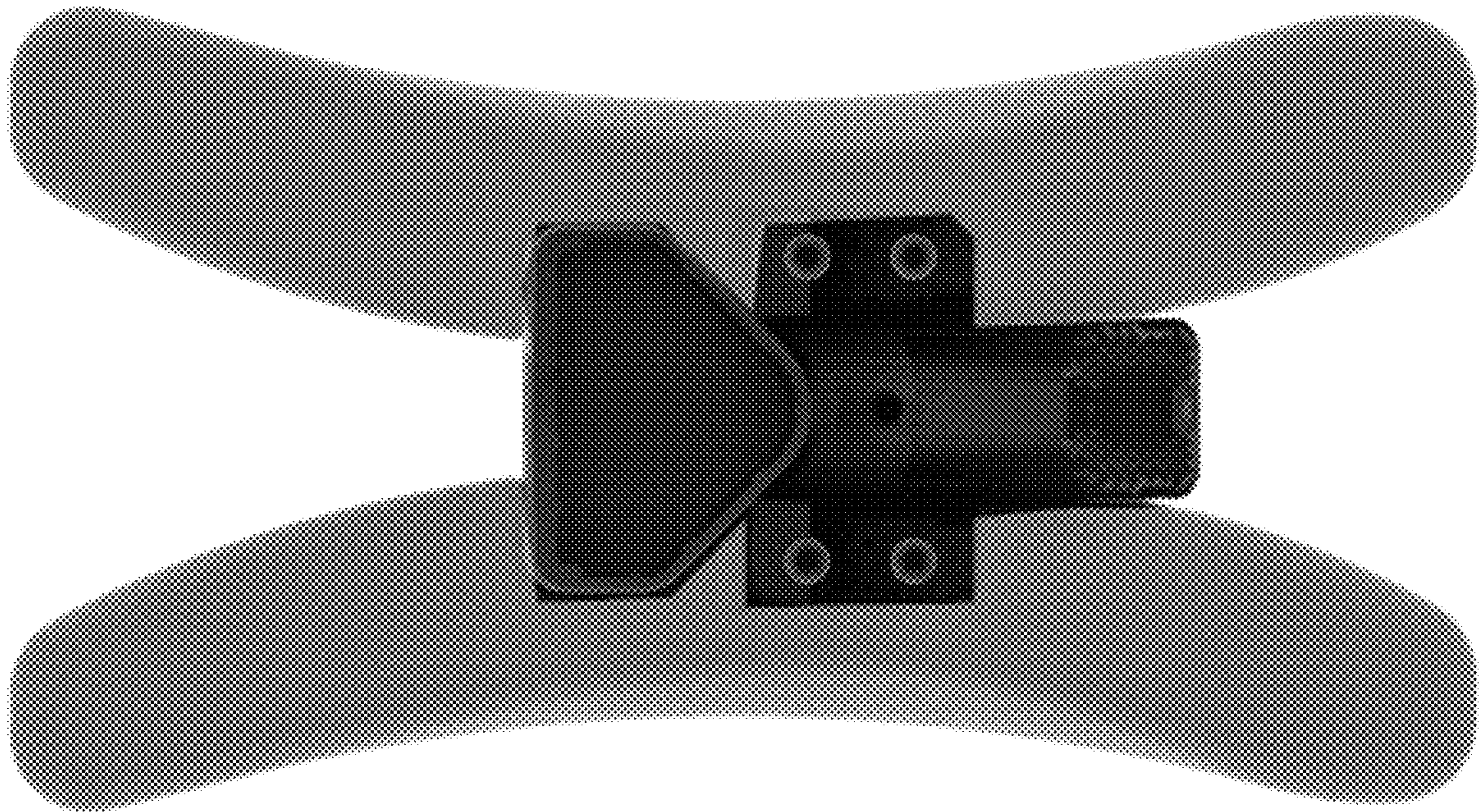
1.4



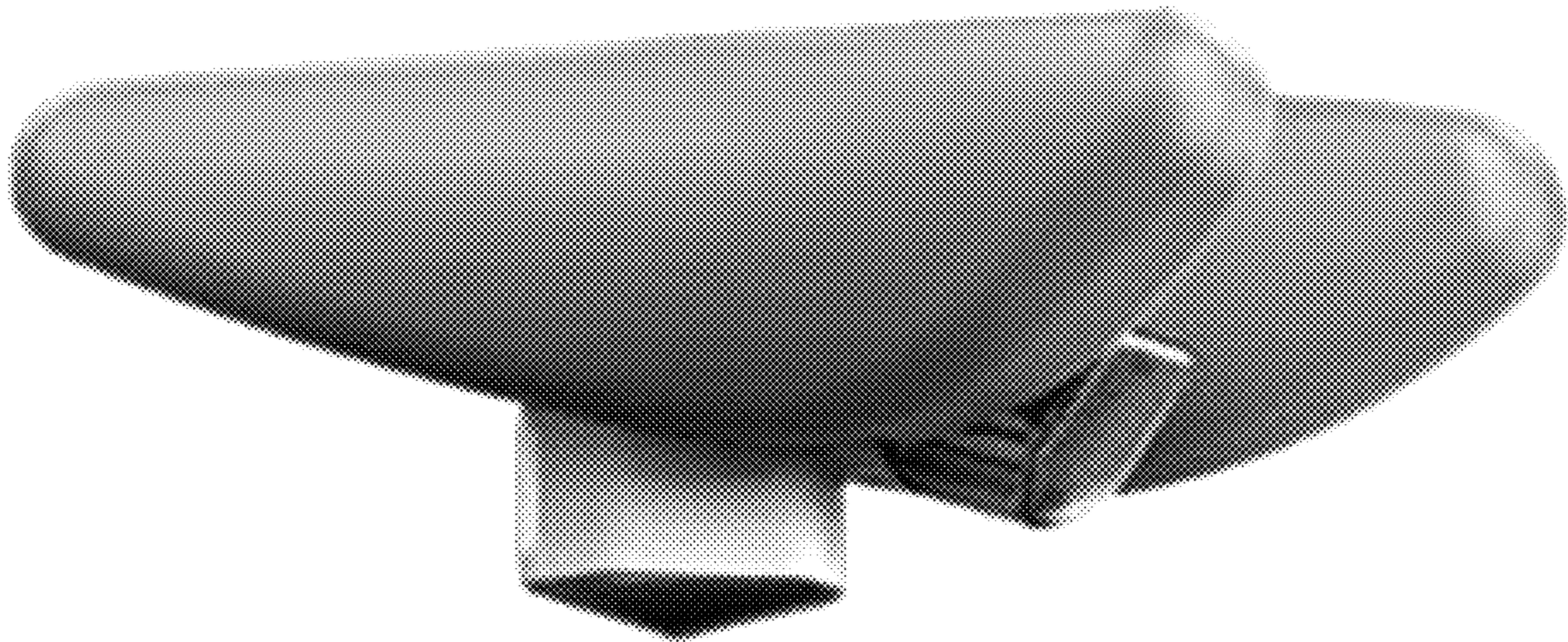
1.5



1.6



1.7



1.8

