



US00D792710S

(12) **United States Design Patent**
McDuffie et al.

(10) **Patent No.:** **US D792,710 S**

(45) **Date of Patent:** **** Jul. 25, 2017**

(54) **BEARD COLORANT BRUSH**

(71) Applicants: **The Dial Corporation**, Scottsdale, AZ
(US); **Henkel AG & Co. KGaA**,
Duesseldorf (DE)

(72) Inventors: **Marcus McDuffie**, Tempe, AZ (US);
Christopher Joseph Wolpert,
Scottsdale, AZ (US); **Clemence**
Bernaille, Duesseldorf (DE); **Erin**
Walter, Scottsdale, AZ (US)

(73) Assignee: **Henkel AG & Co. KGaA** (DE)

(**) Term: **15 Years**

(21) Appl. No.: **29/560,362**

(22) Filed: **Apr. 6, 2016**

(51) **LOC (10) Cl.** **04-01**

(52) **U.S. Cl.**

USPC **D4/117**; D28/7; D28/25

(58) **Field of Classification Search**

USPC D4/116, 117, 132; D28/7, 20, 21, 25, 30,
D28/31

CPC A45D 24/18; A45D 44/18; A46B 5/0095;
A46B 15/0055; A46B 15/0071; A46B
15/0081; A46B 15/0087; A46B 17/04;
A46B 2200/1066; A46D 1/10; A61C
15/048; A61C 17/34; A61C 17/222

See application file for complete search history.

(56) **References Cited**

U.S. PATENT DOCUMENTS

2,272,151 A * 2/1942 Hertzberg A45D 24/18
132/120
D159,106 S * 6/1950 STamp 132/120

D236,296 S * 8/1975 Hyman D28/25
D268,225 S * 3/1983 Ellenson D28/25
D290,065 S * 6/1987 Battaglia D28/25
D527,843 S * 9/2006 Bartsch D28/7
D539,549 S * 4/2007 Kipry D4/132
D646,018 S * 9/2011 Anderson D28/7

* cited by examiner

Primary Examiner — Keli L Hill

(74) *Attorney, Agent, or Firm* — David K. Benson

(57) **CLAIM**

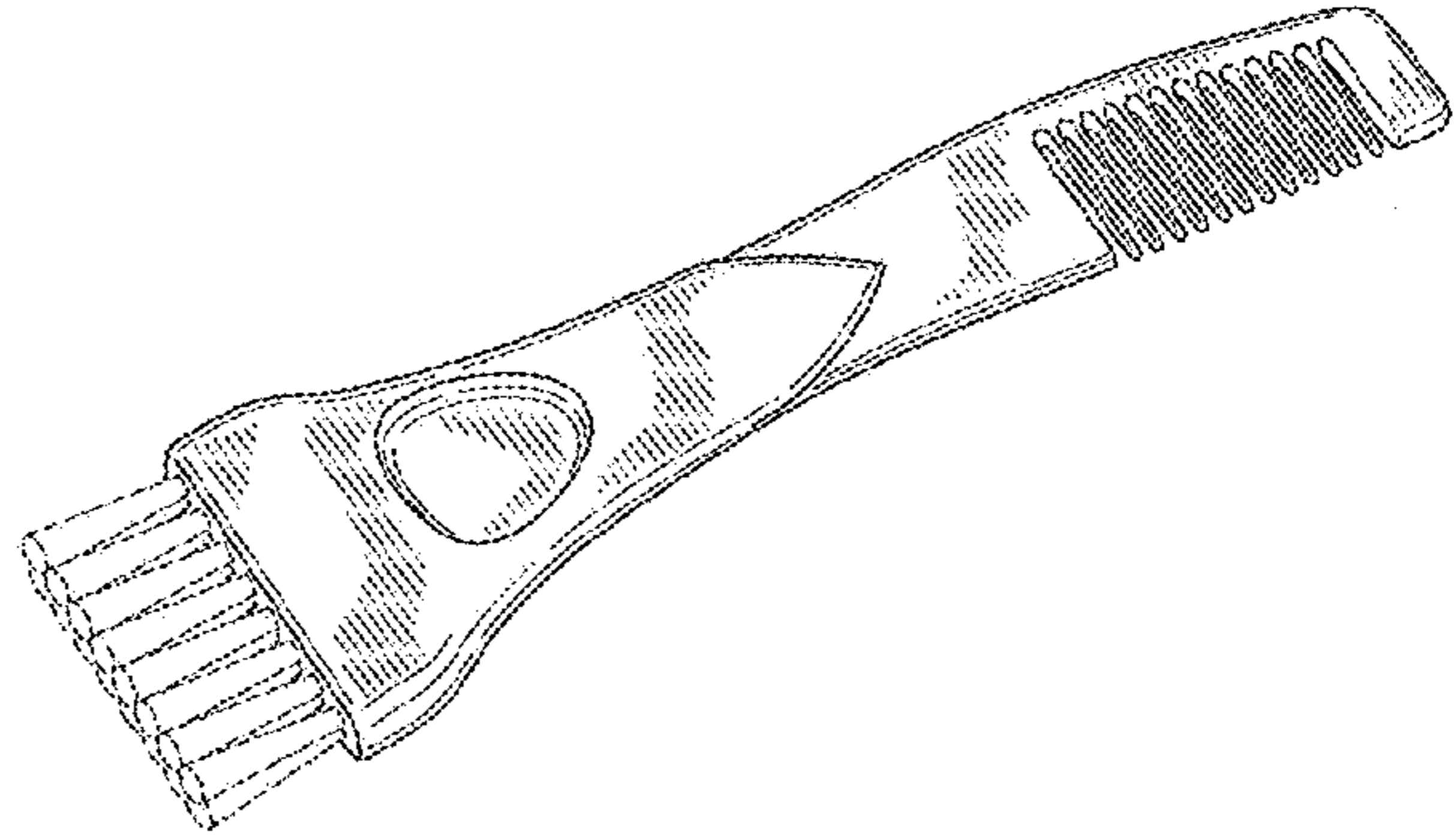
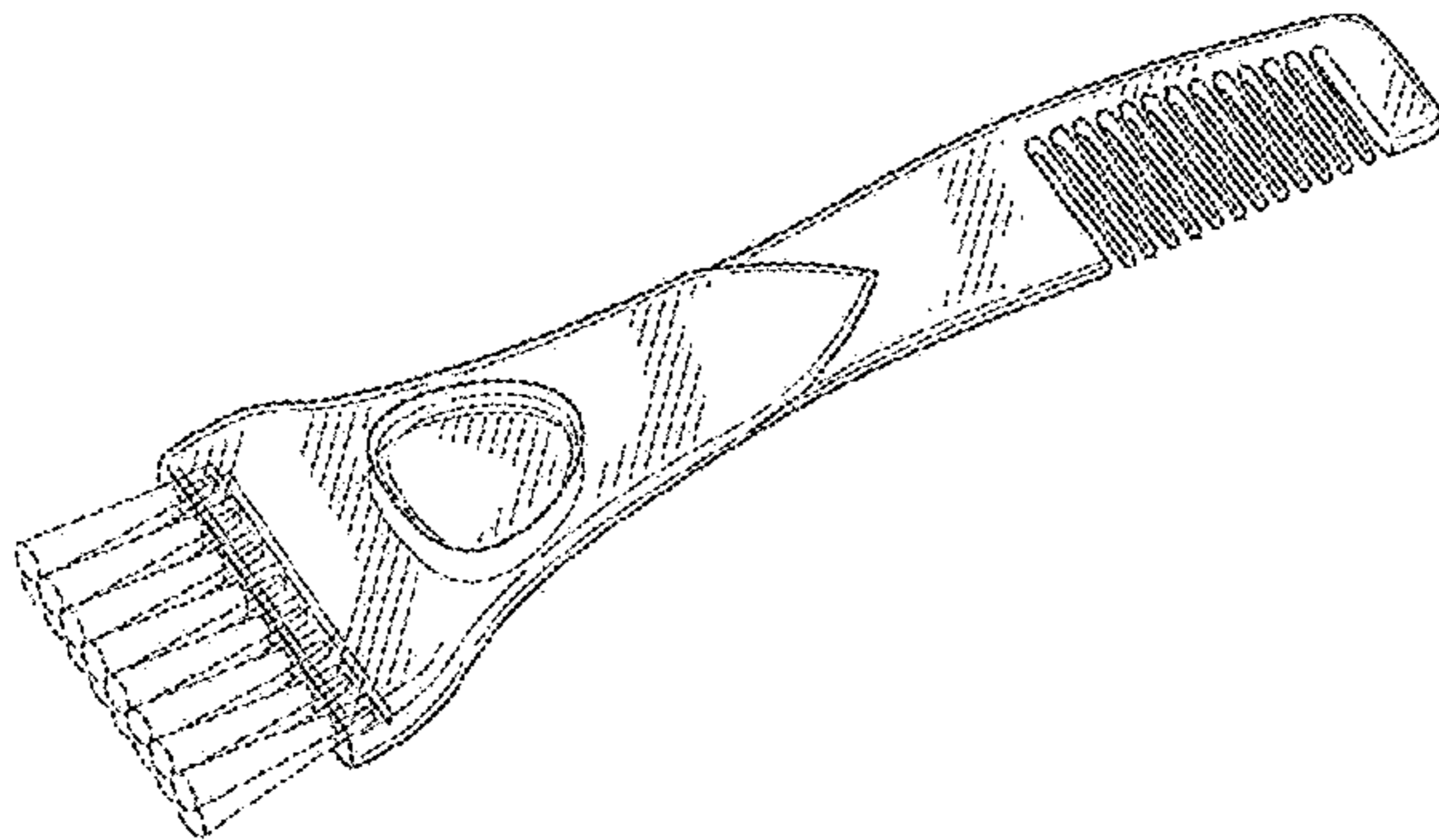
The ornamental design for a beard colorant brush, as shown and described.

DESCRIPTION

FIG. 1 is a front perspective view of a first embodiment of a beard colorant brush, embodying our new design; FIG. 2 is a front elevation view thereof; FIG. 3 is a rear elevation view thereof; FIG. 4 is a right side elevation view thereof; FIG. 5 is a left side elevation view thereof; FIG. 6 is a top plan view thereof; FIG. 7 is a bottom view thereof; FIG. 8 is a front perspective view of a second embodiment of a beard colorant brush, embodying our new design; FIG. 9 is a front elevation view thereof; FIG. 10 is a rear elevation view thereof; FIG. 11 is a right side elevation view thereof; FIG. 12 is a left side elevation view thereof; FIG. 13 is a top plan view thereof; and, FIG. 14 is a bottom view thereof.

The broken lines shown are included for the purpose of illustrating portions of the beard colorant brush that form no part of the claim.

1 Claim, 4 Drawing Sheets



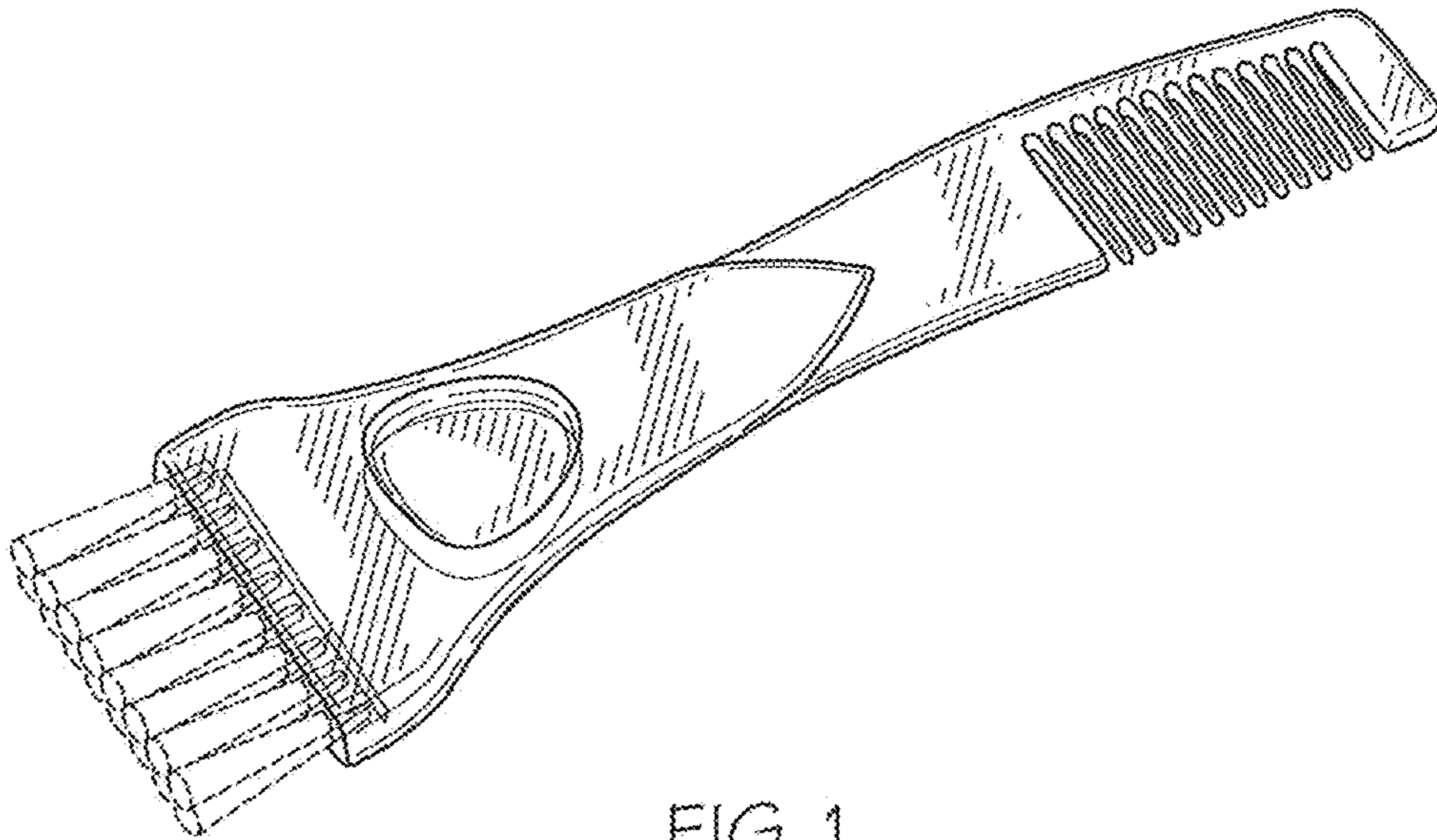


FIG. 1

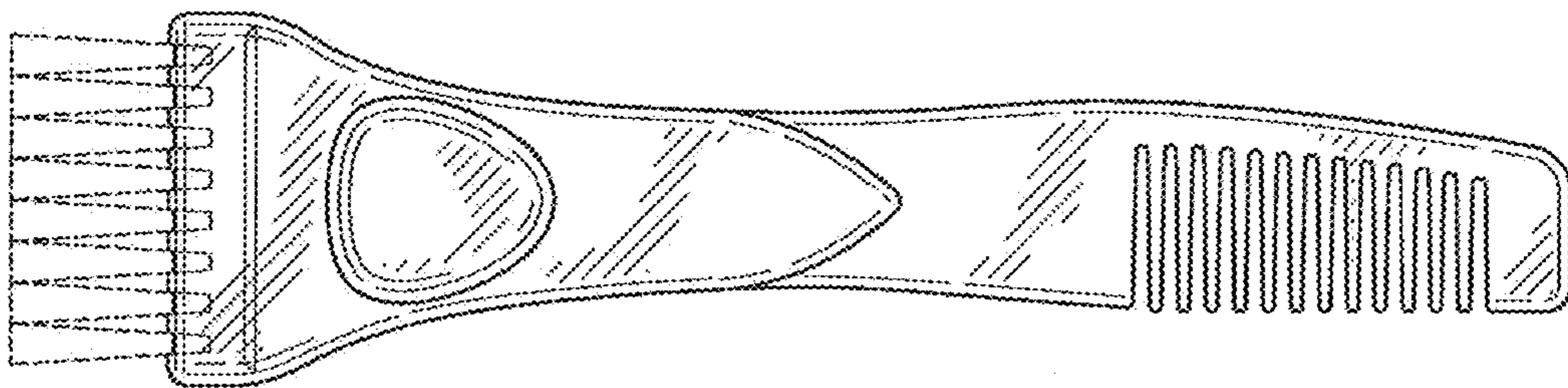


FIG. 2

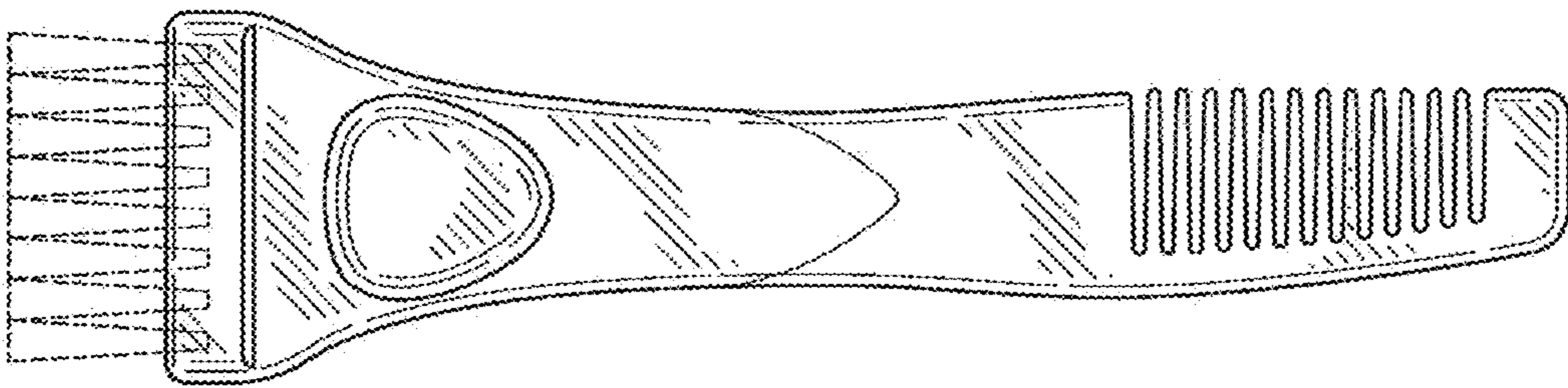


FIG. 3

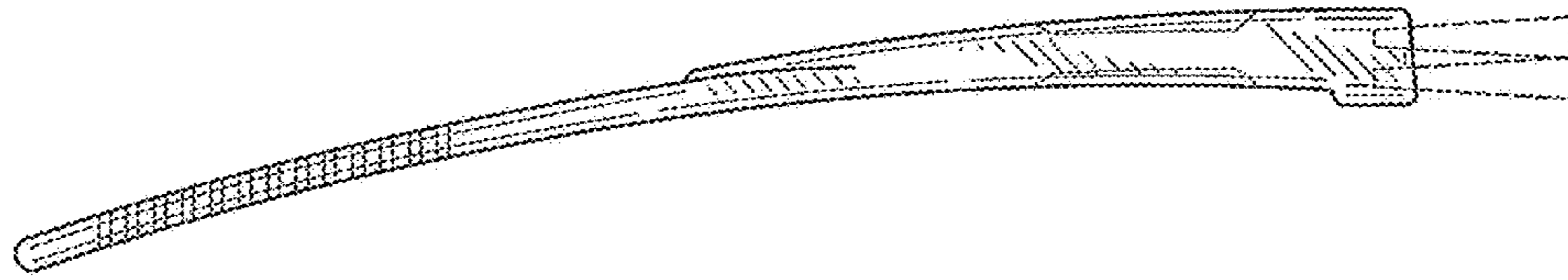


FIG. 4

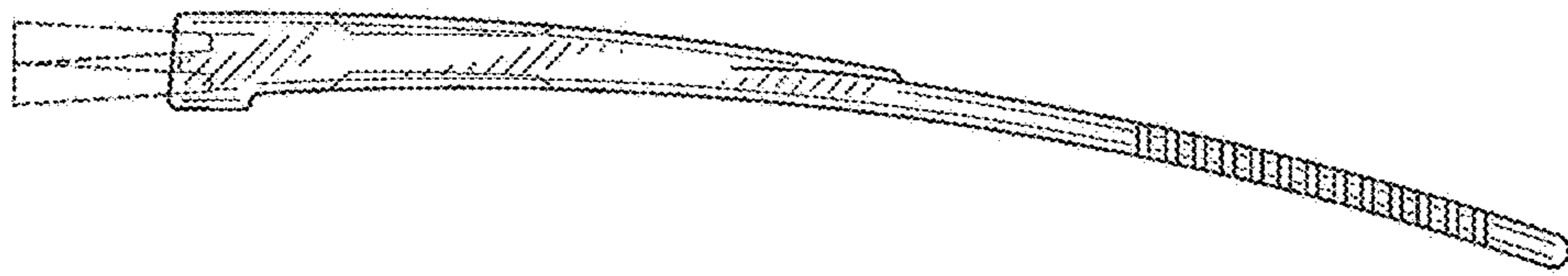


FIG. 5

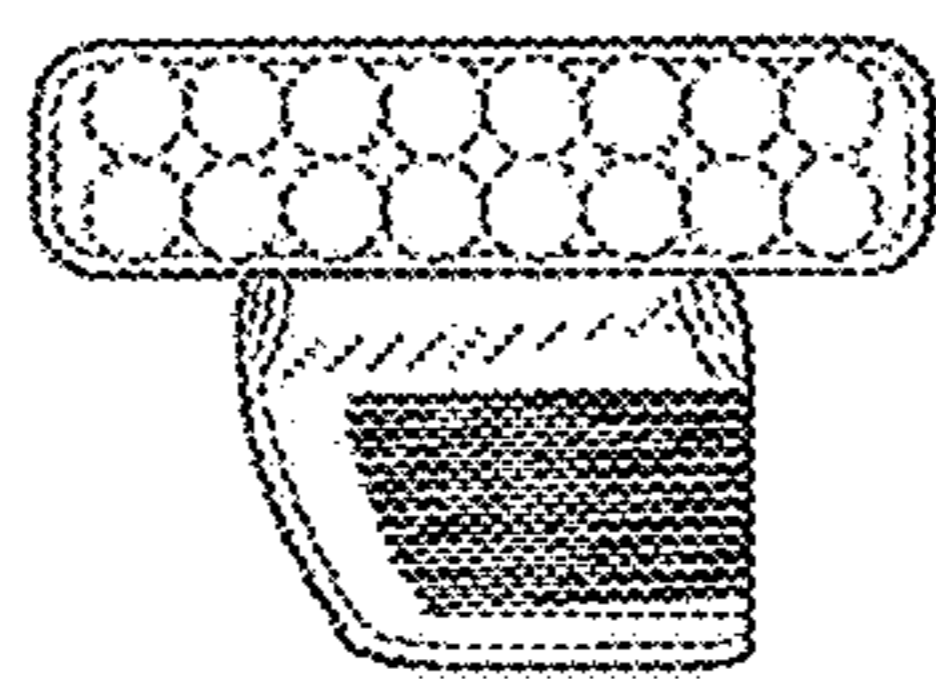


FIG. 6

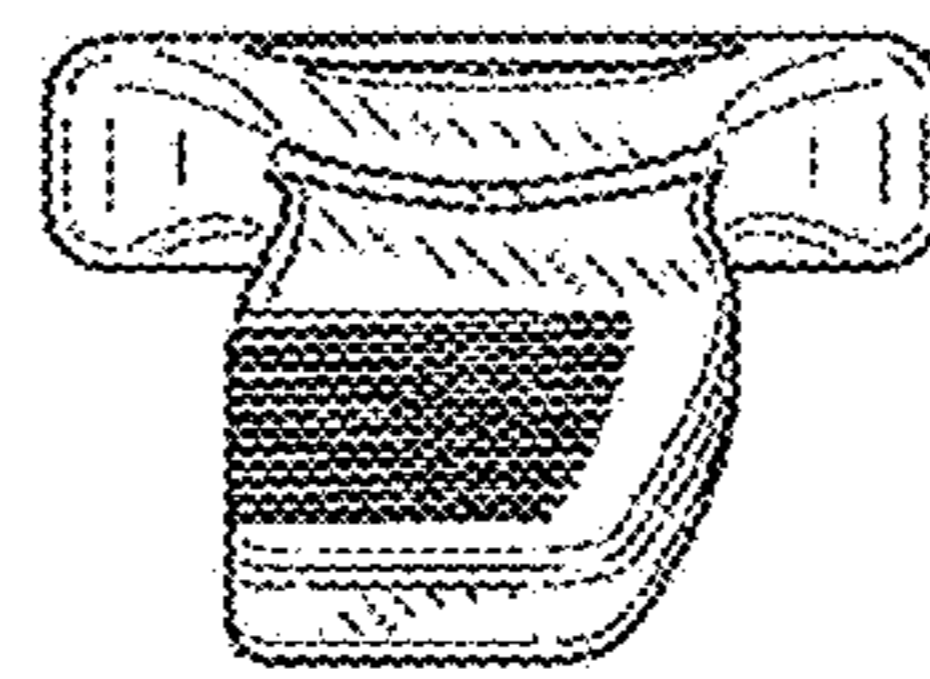


FIG. 7

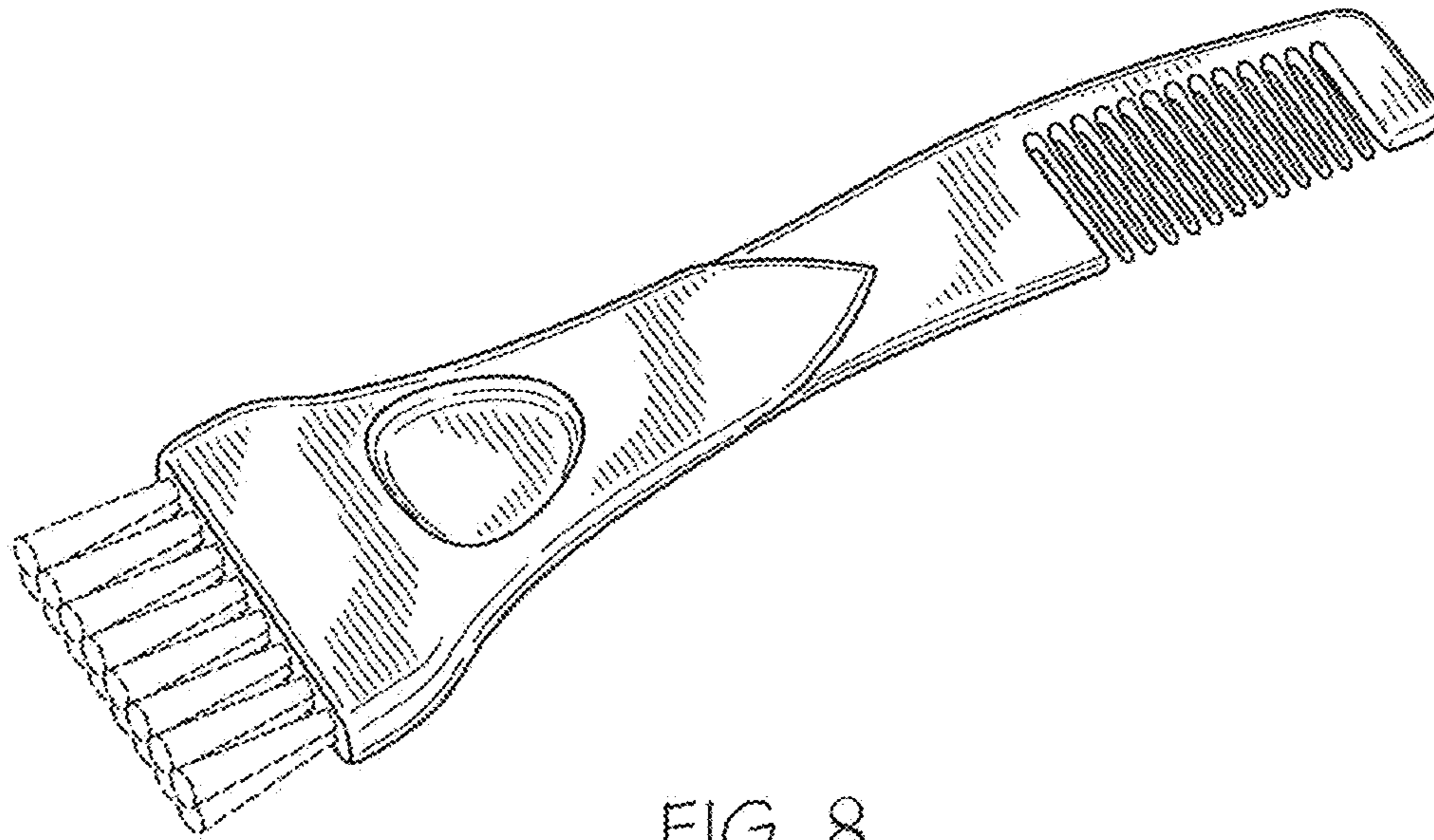


FIG. 8

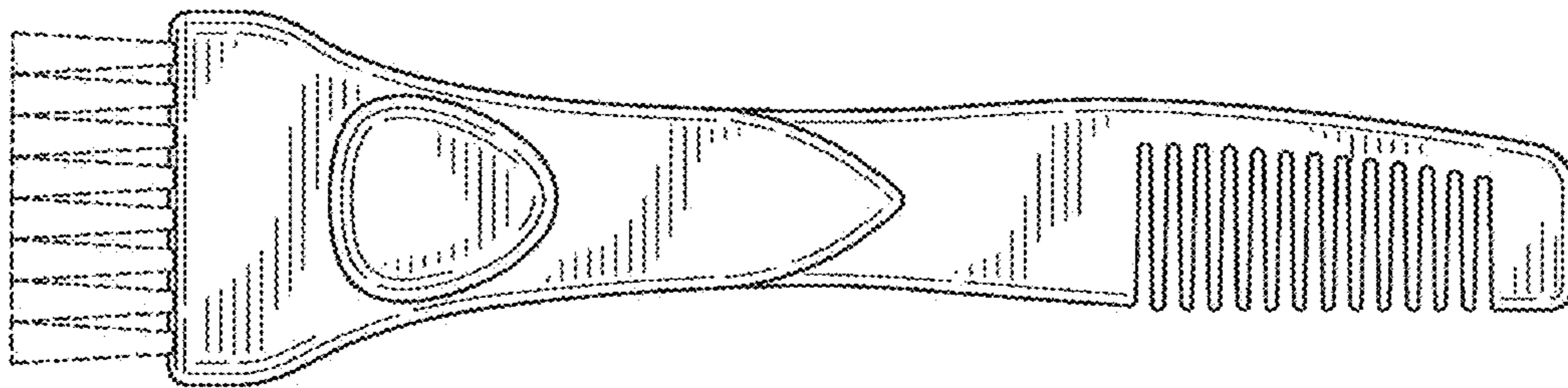


FIG. 9

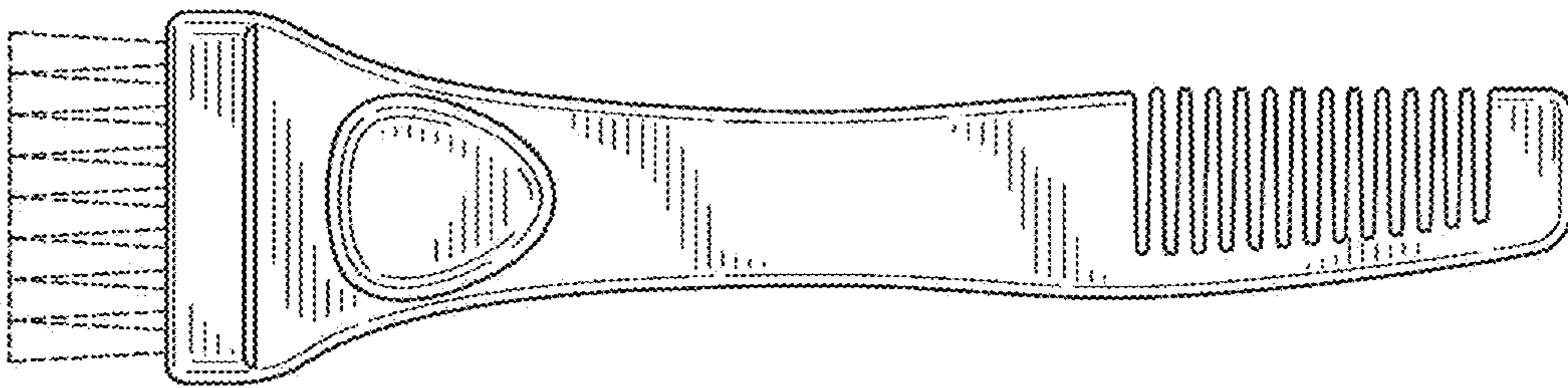


FIG. 10

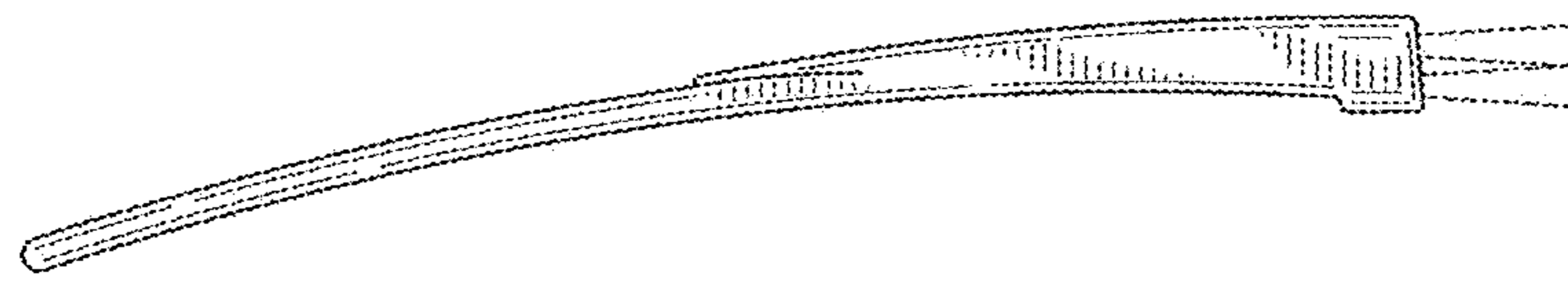


FIG. 11

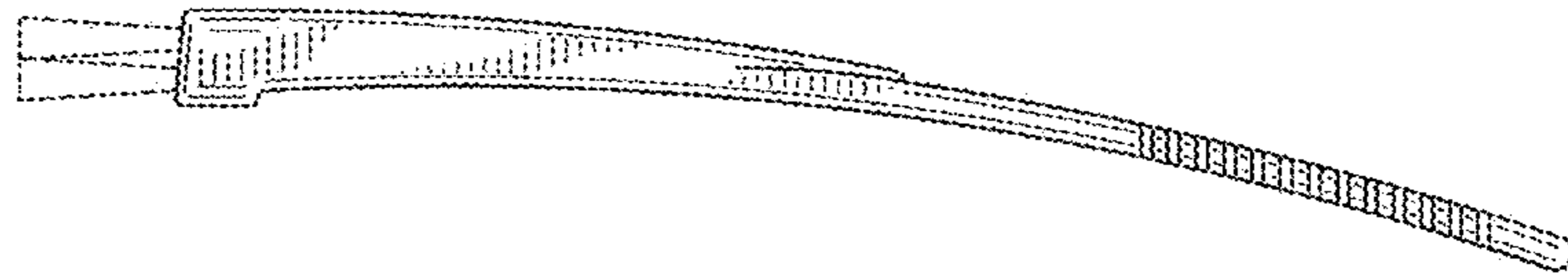


FIG. 12

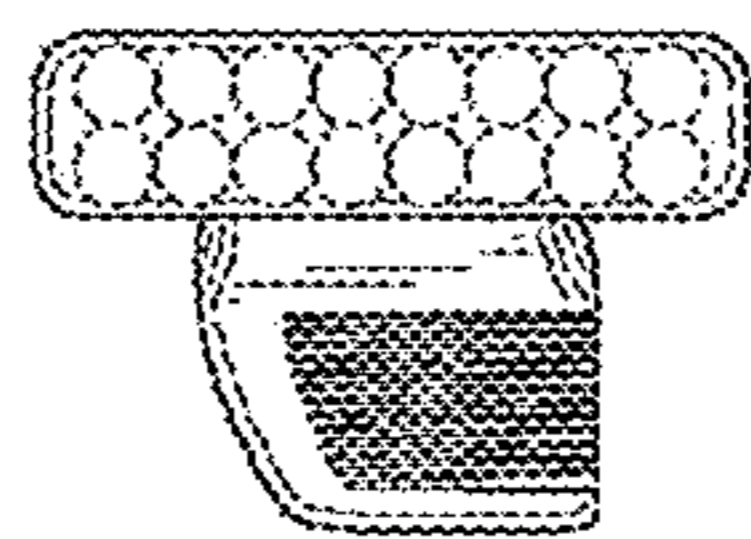


FIG. 13

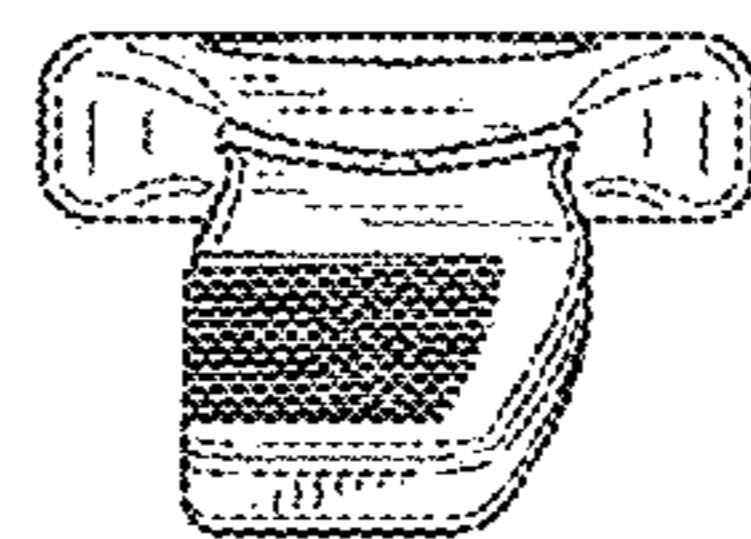


FIG. 14