

US00D792694S

(12) **United States Design Patent** (10) **Patent No.:** **US D792,694 S**
Cin (45) **Date of Patent:** **** Jul. 25, 2017**

(54) **SHOE UPPER**
(71) Applicant: **NIKE, Inc.**, Beaverton, OR (US)
(72) Inventor: **David Jonathan Cin**, Portland, OR (US)
(73) Assignee: **NIKE, Inc.**, Beaverton, OR (US)
(**) Term: **15 Years**
(21) Appl. No.: **29/545,970**
(22) Filed: **Nov. 17, 2015**
(51) **LOC (10) Cl.** **02-04**
(52) **U.S. Cl.**
USPC **D2/969**
(58) **Field of Classification Search**
USPC D2/896, 898, 900, 903, 907, 919-923,
D2/942, 945, 951, 969; 36/45, 11.5, 8.1,
36/77 M, 77 R, 83, 7
CPC A43B 3/00; A43B 3/14; A43B 3/16; A43B
3/10
See application file for complete search history.

D545,558 S 7/2007 McDowell
D549,440 S 8/2007 Hlavacs
D550,947 S 9/2007 Caine
D554,845 S * 11/2007 Caine D2/972
D568,601 S 5/2008 Chang
D572,455 S 7/2008 Lubrano
D604,035 S * 11/2009 Lemaster D2/972
D608,538 S 1/2010 Dillenbeck
D610,340 S 2/2010 Cooper
D636,578 S 4/2011 Young
D672,129 S 12/2012 Bell et al.
D677,874 S 3/2013 Hardman
D683,124 S 5/2013 Raasch
D683,945 S 6/2013 O'Shea
D684,759 S 6/2013 Lee et al.

(Continued)

Primary Examiner — Holly Baynham
Assistant Examiner — Rashida C Walshon
(74) *Attorney, Agent, or Firm* — Banner & Witcoff, Ltd.

(57) **CLAIM**

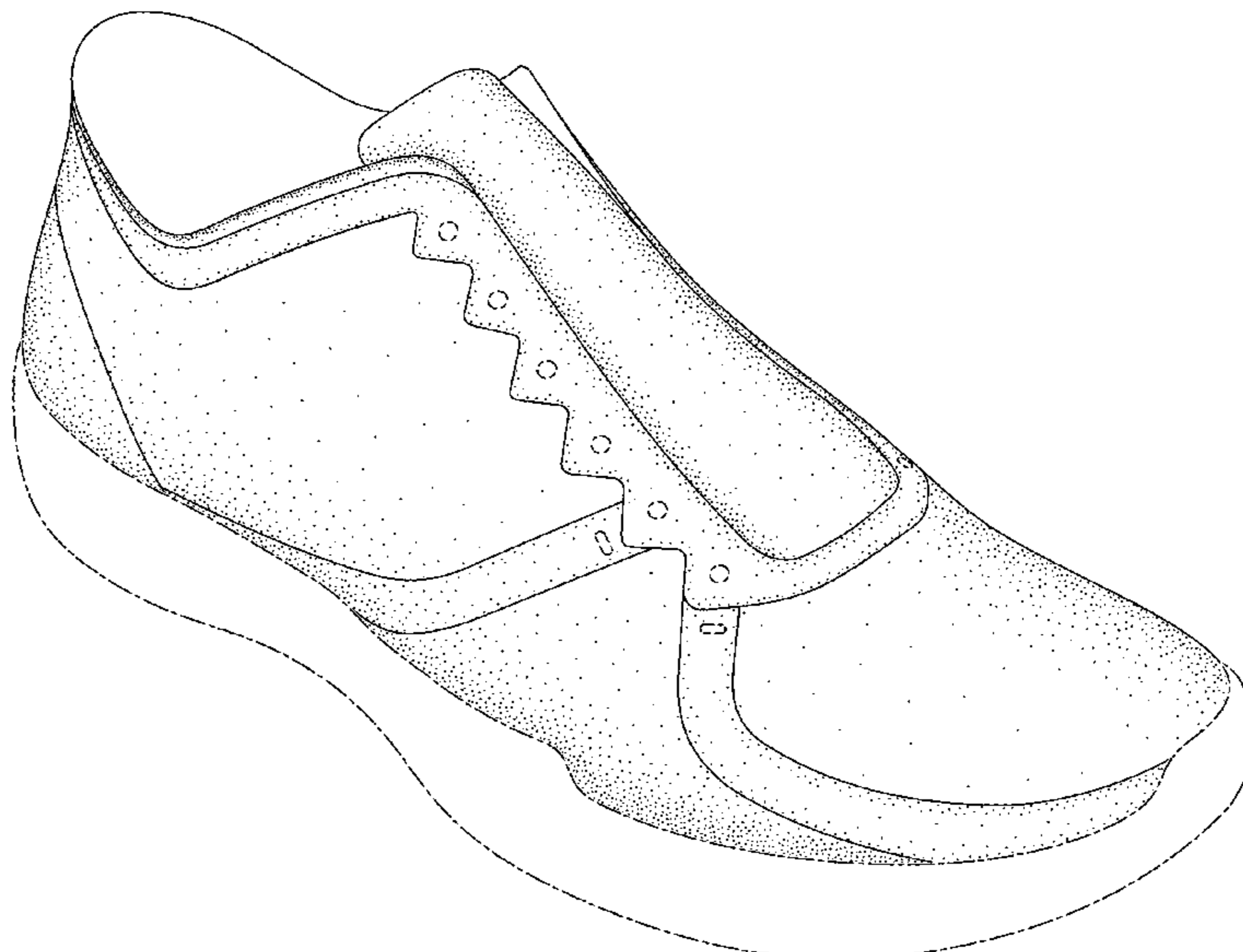
The ornamental design for a shoe upper, as shown and described.

DESCRIPTION

FIG. 1 is a front perspective view of a shoe upper showing our new design;
FIG. 2 is a side view thereof;
FIG. 3 is an opposite side view thereof;
FIG. 4 is a front view thereof;
FIG. 5 is a rear view thereof; and,
FIG. 6 is a top view thereof.
The broken lines immediately adjacent to the shaded area represent unclaimed boundaries of the design. The unshaded regions within the shaded area that are demarcated by broken lines form no part of the claimed design. The broken lines showing the remainder of the shoe are for environmental purposes only and form no part of the claimed design.

(56) **References Cited**
U.S. PATENT DOCUMENTS
D273,437 S * 4/1984 Kohno D2/908
D281,115 S * 10/1985 Campbell D2/907
D291,384 S * 8/1987 Campbell D2/907
D319,723 S 9/1991 Greene
D326,763 S * 6/1992 Holbrook D2/907
D329,530 S 9/1992 Bailey
D330,968 S 11/1992 Smith, III
D330,969 S 11/1992 Smith, III
D333,554 S 3/1993 Greene
D401,047 S 11/1998 Serna
D465,902 S 11/2002 Ammon et al.
D480,543 S 10/2003 Robbins
D498,579 S * 11/2004 Lemaster D2/972
D500,196 S 12/2004 Belley
D544,686 S 6/2007 Shin

1 Claim, 5 Drawing Sheets



(56)

References Cited

U.S. PATENT DOCUMENTS

D688,040 S	8/2013	Williams, Jr.	
D696,847 S	1/2014	McCullagh	
D702,931 S	4/2014	Raysse	
D712,133 S	9/2014	Miner	
D714,536 S	10/2014	Lee	
D725,895 S	4/2015	Cin	
D765,376 S *	9/2016	de Costa Pereira Machado	D2/969

* cited by examiner

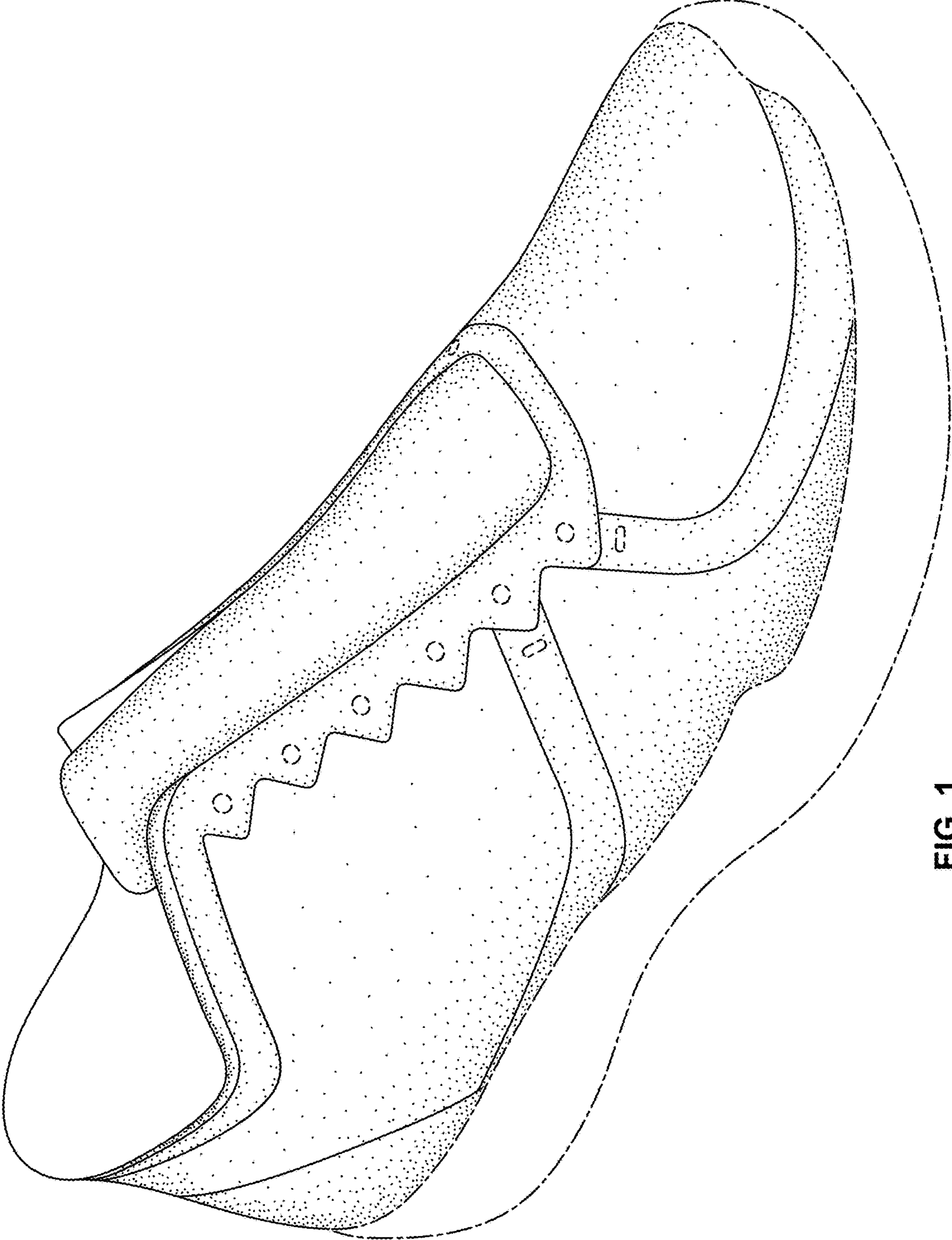


FIG. 1

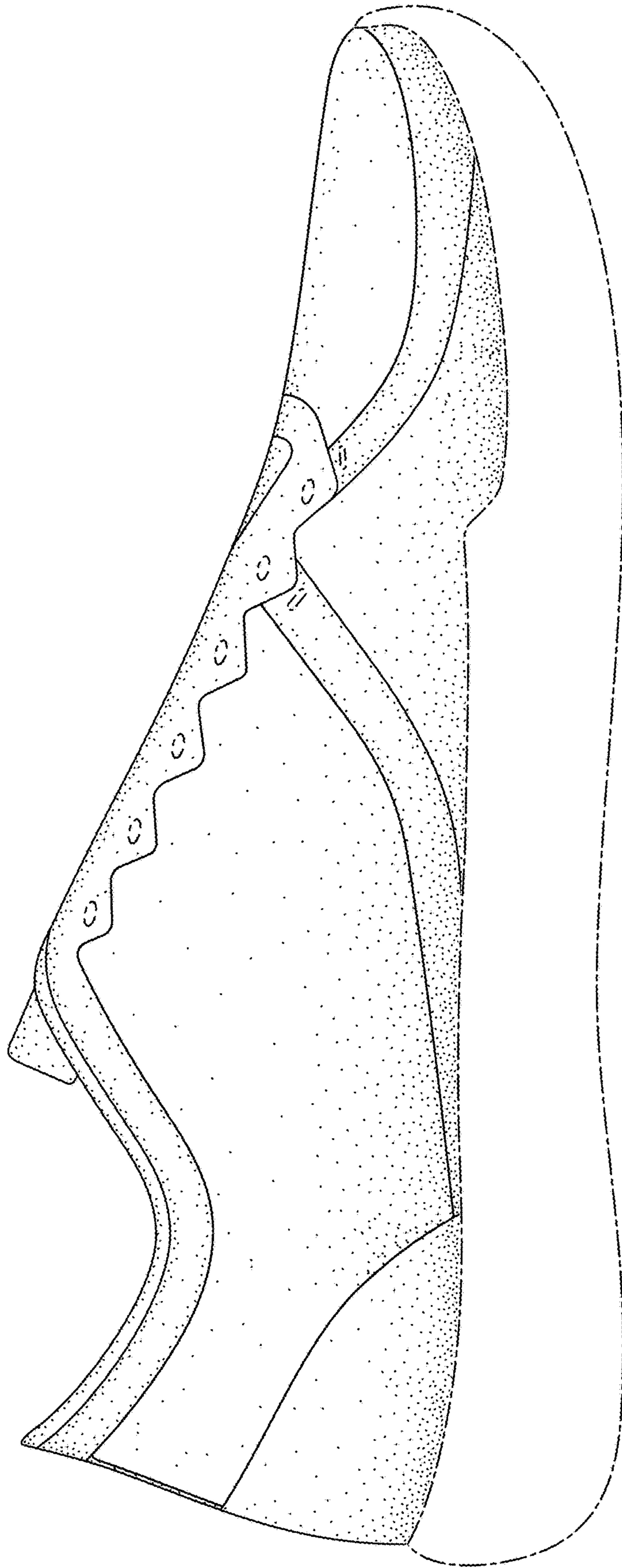


FIG. 2

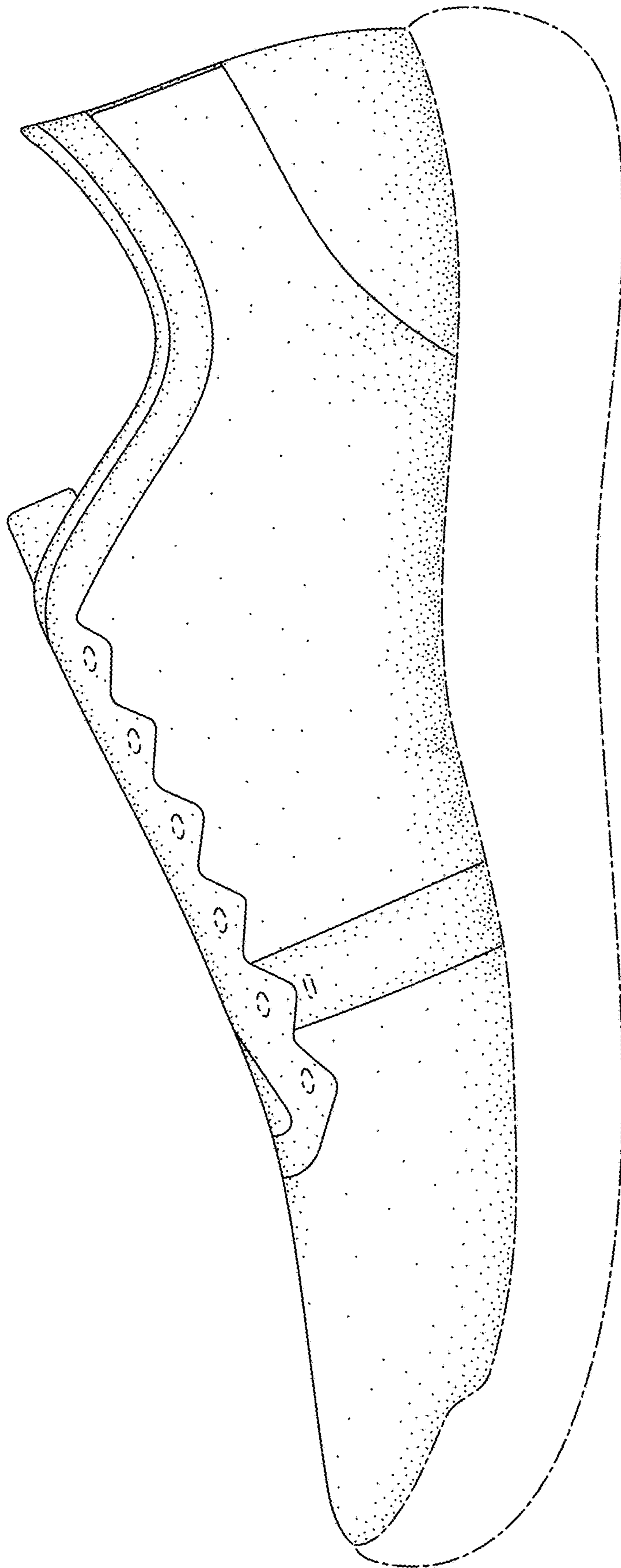


FIG. 3

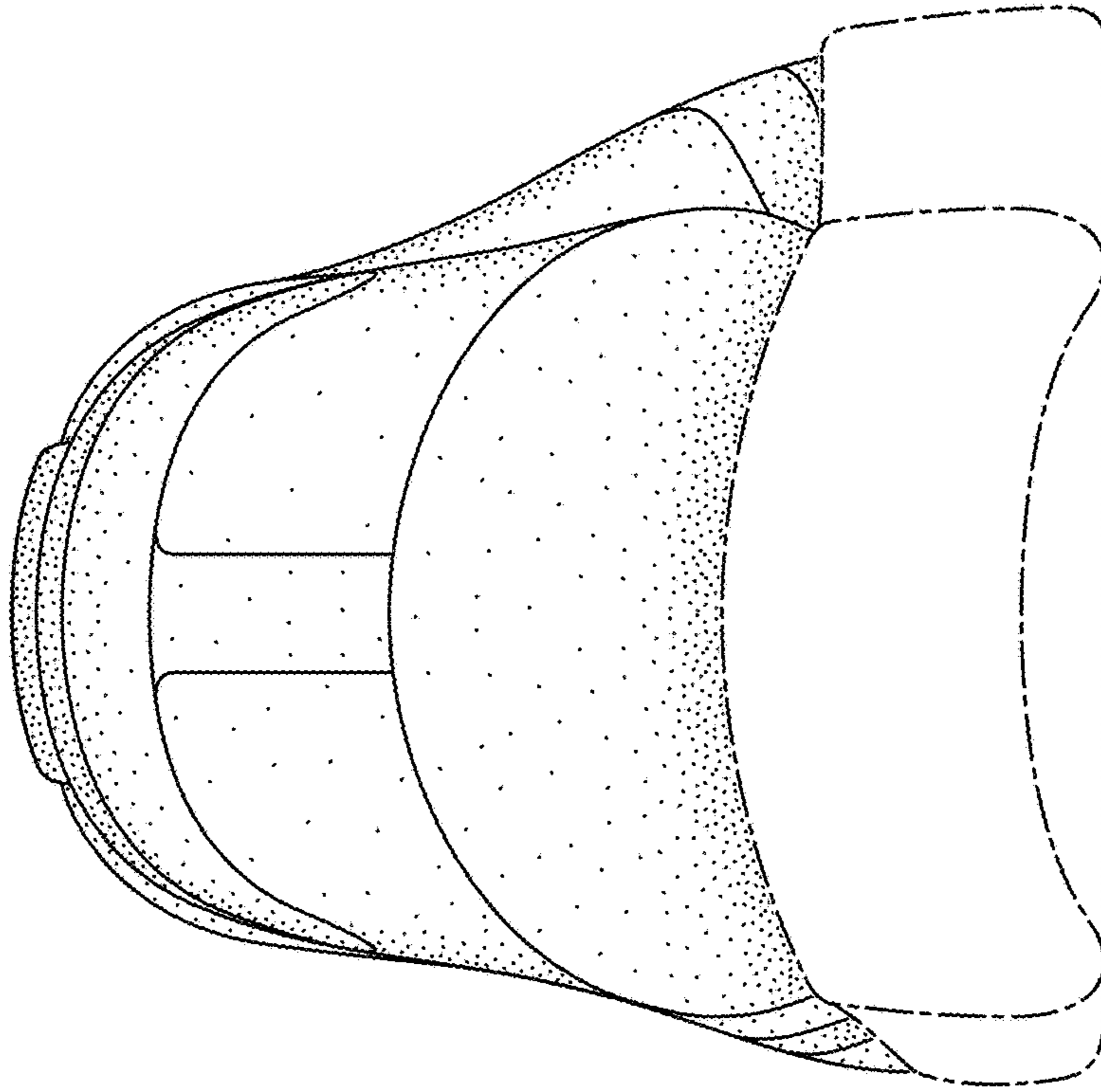


FIG. 5

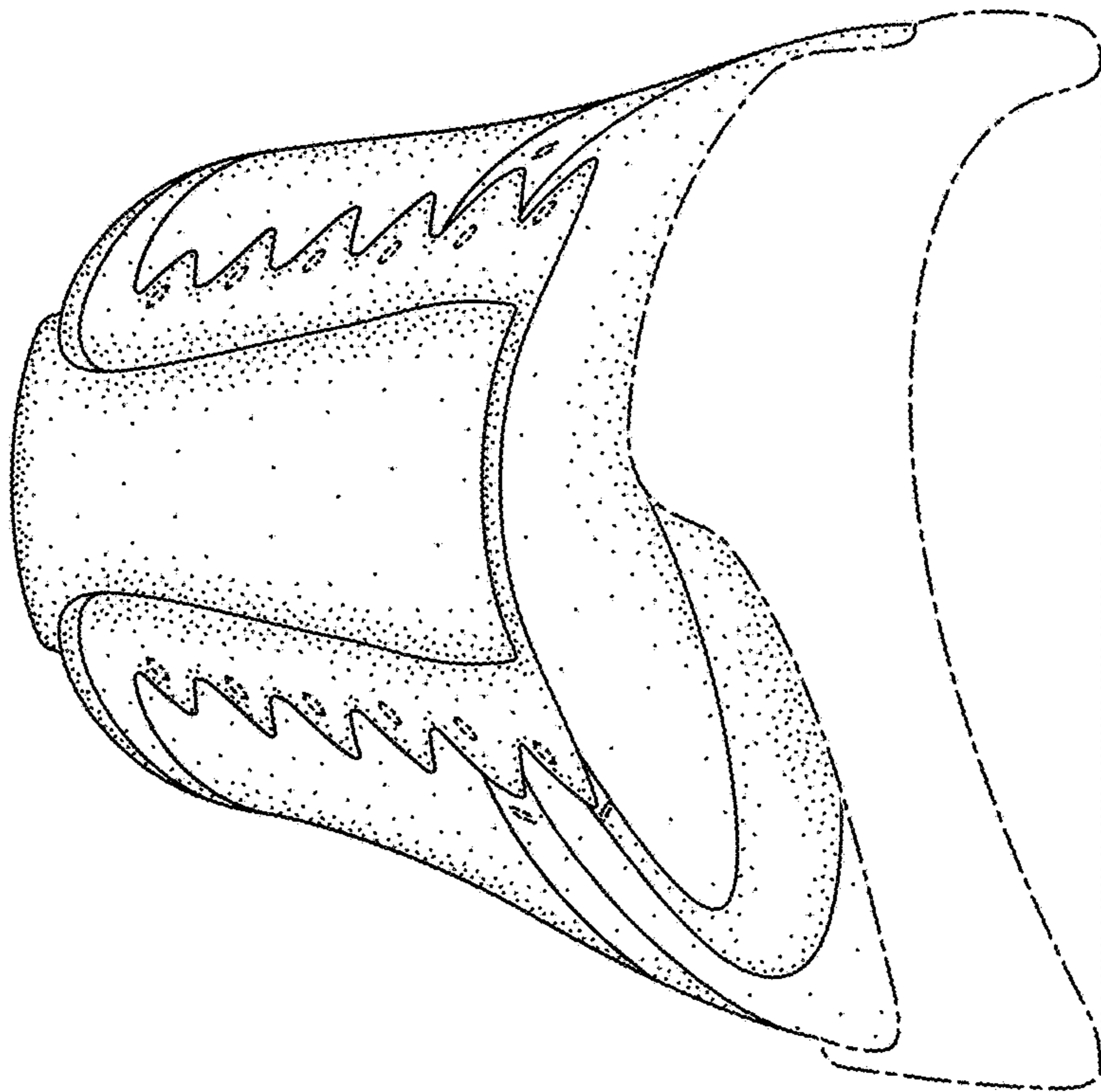


FIG. 4

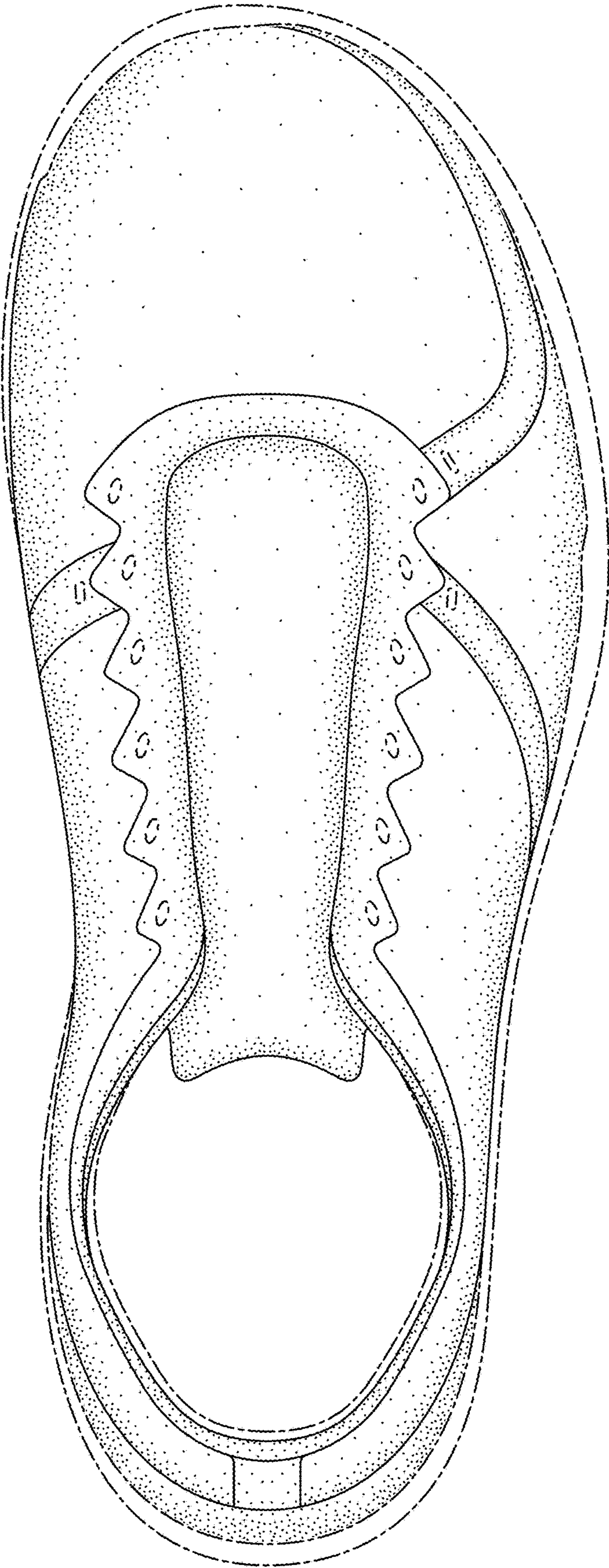


FIG. 6