



US00D792689S

(12) **United States Design Patent**
Mokos

(10) **Patent No.:** **US D792,689 S**
(45) **Date of Patent:** **** Jul. 25, 2017**

(54) **SOLE FOR FOOTWEAR**
(71) Applicant: **Cole Haan LLC**, New York, NY (US)
(72) Inventor: **Jeffrey Mokos**, Greenland, NH (US)
(73) Assignee: **COLE HAAN LLC**, New York, NY (US)
(**) Term: **15 Years**

(21) Appl. No.: **29/571,187**
(22) Filed: **Jul. 15, 2016**
(51) **LOC (10) Cl.** **02-04**
(52) **U.S. Cl.**
USPC **D2/953**; D2/951; D2/960
(58) **Field of Classification Search**
USPC D2/902, 906, 908, 916, 918, 925,
D2/946-962, 977; 36/1, 1.5, 3 B, 22 R,
36/24.5, 25 R, 28, 32 R, 34 R, 59 C,
36/67 A, 101-107, 114-116, 117.3, 117.4,
36/124-136
CPC A43B 13/00; A43B 13/02; A43B 13/023;
A43B 13/026; A43B 13/04; A43B 13/08;
A43B 13/10; A43B 13/12; A43B 13/14;
A43B 13/141; A43B 13/143; A43B
13/16; A43B 13/18; A43B 13/181; A43B
13/187; A43B 13/189; A43B 13/20; A43B
13/22; A43B 13/223; A43B 13/24; A43B
13/28; A43B 13/30; A43B 13/32; A43B
13/34; A43B 13/36
See application file for complete search history.

(56) **References Cited**

U.S. PATENT DOCUMENTS

3,971,145 A * 7/1976 Stegerwald A43B 5/10
36/32 R
D247,998 S * 5/1978 Lobosco D2/953
D253,319 S * 11/1979 Dassler D2/953
D255,059 S * 5/1980 Riley D2/908
D255,171 S * 6/1980 Bowers D2/908

D316,773 S * 5/1991 Valle D2/953
D321,978 S * 12/1991 Hatfield D2/953
D322,881 S * 1/1992 Bushman D2/953
(Continued)

FOREIGN PATENT DOCUMENTS

CN 204218027 * 3/2015 A43B 13/14
CN 104814567 * 8/2015 A43B 13/22

OTHER PUBLICATIONS

Boothbay Slip on Loafer, ColeHaan.com, [online], [site visited Apr. 18, 2017]. <URL: http://www.colehaan.com/boothbay-slip-on-loafer-ironstone/C24693.html?dwvar_C24693_color=Ironstone&dwvar_C24693_width=>>.*
(Continued)

Primary Examiner — T. Chase Nelson
Assistant Examiner — Jonathan J Han
(74) *Attorney, Agent, or Firm* — Thompson Coburn LLP;
Alan Norman

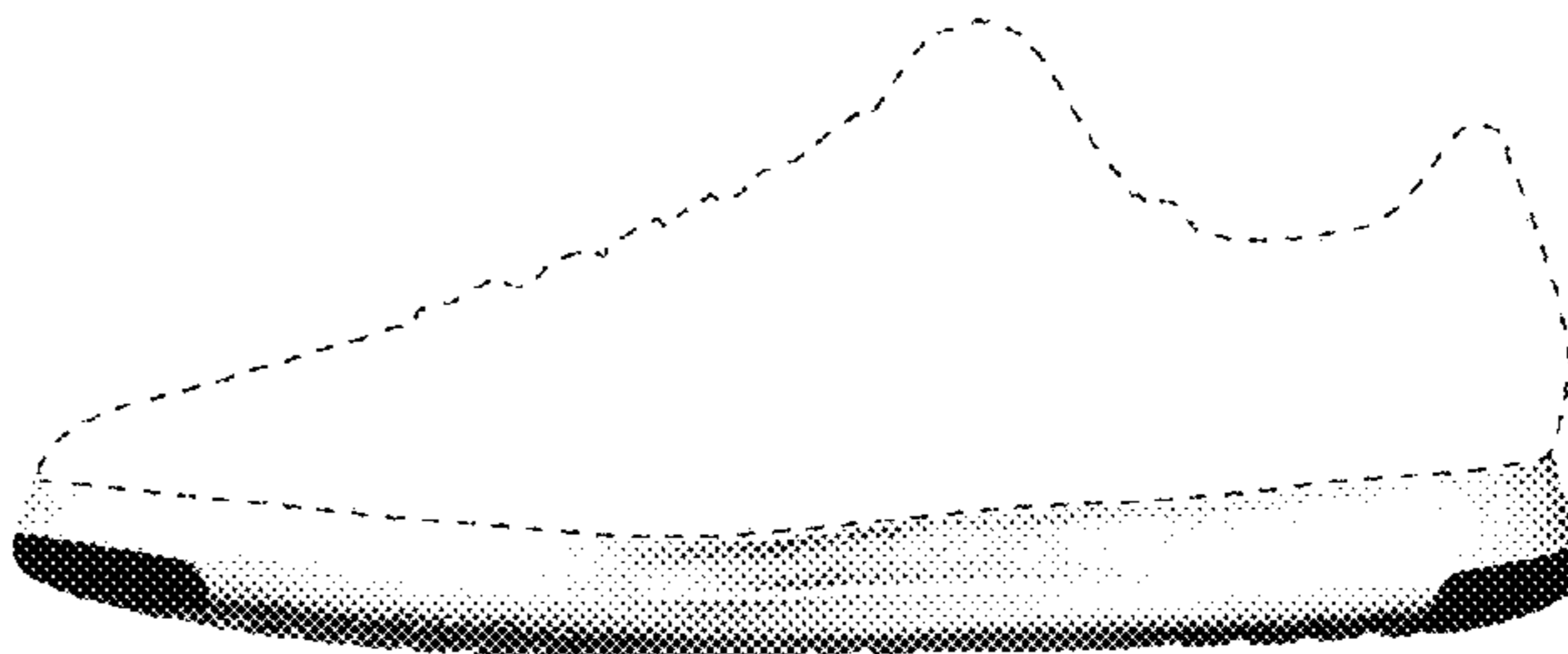
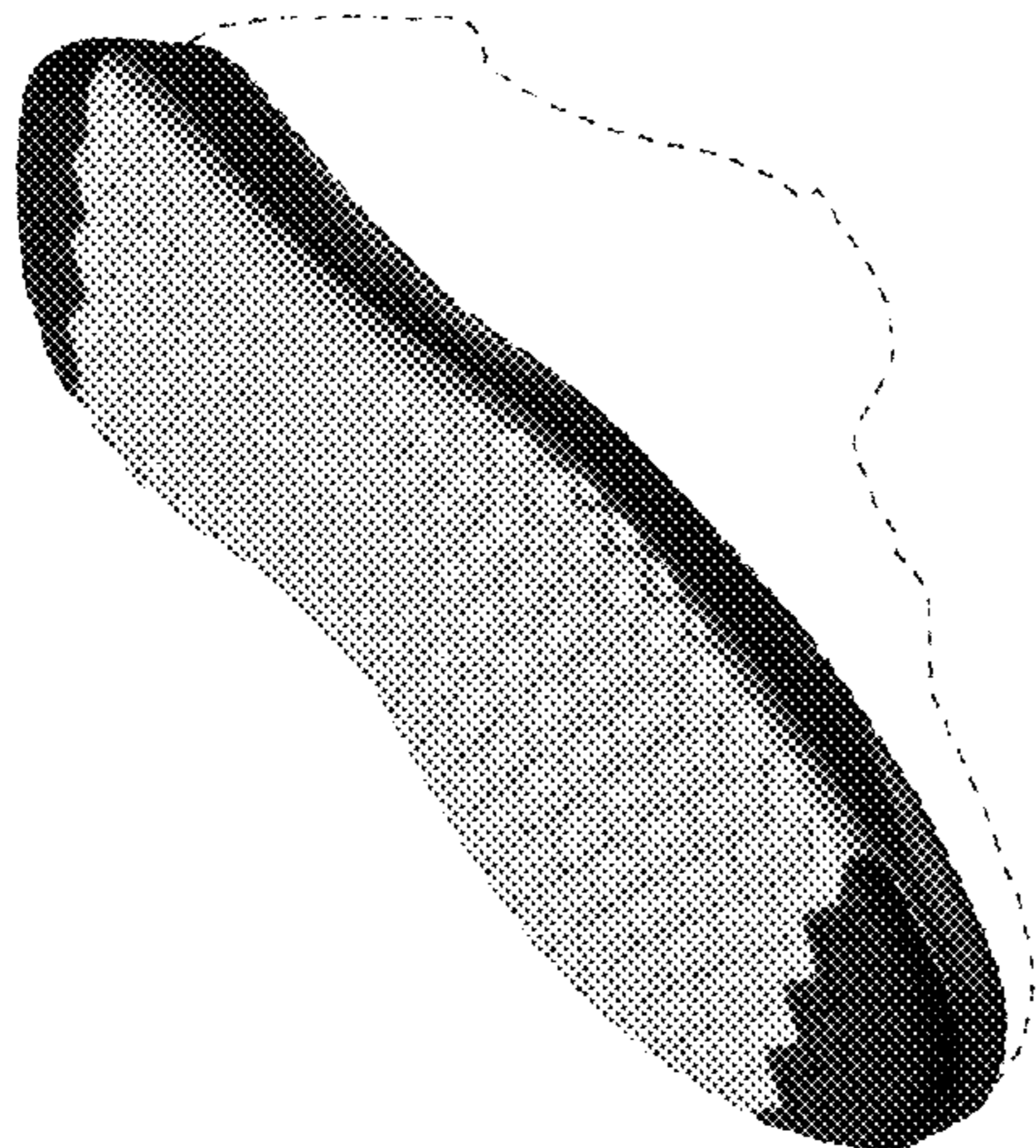
(57) **CLAIM**

The ornamental design for a sole for footwear, as shown and described.

DESCRIPTION

FIG. 1 is a lateral perspective view of a sole for footwear showing my new design;
FIG. 2 is a medial perspective view thereof;
FIG. 3 is a lateral side view thereof;
FIG. 4 is a medial side view thereof;
FIG. 5 is a front view thereof;
FIG. 6 is a rear view thereof; and,
FIG. 7 is a bottom plan view thereof.
The broken lines immediately adjacent the photographic area represent unclaimed boundaries of the design. The broken lines showing the remainder of the footwear are for environmental purposes only and form no part of the claimed design. Color and contrast are unclaimed and form no part of the claimed design.

1 Claim, 7 Drawing Sheets



(56)

References Cited

U.S. PATENT DOCUMENTS

D324,448	S *	3/1992	Blissett	D2/953
D333,555	S *	3/1993	Hatfield	D2/953
D394,946	S *	6/1998	Gaudio	D2/960
D408,972	S *	5/1999	Greenberg	D2/951
D450,178	S *	11/2001	Boncutter	D2/916
D540,514	S *	4/2007	Hendricks	D2/916
D540,516	S *	4/2007	Weitzman	D2/951
D604,482	S *	11/2009	Fletcher	D2/917
D638,616	S *	5/2011	Gibson	D2/951
D641,145	S *	7/2011	Della Valle	D2/953
D659,358	S *	5/2012	Van Zyll De Jong	D2/951
8,186,079	B2 *	5/2012	Carboy	A43B 13/14 36/102
D666,391	S *	9/2012	Van Zyll De Jong	D2/951
D702,025	S *	4/2014	Della Valle	D2/908
D713,133	S *	9/2014	Della Valle	D2/944
D729,503	S *	5/2015	Carroll	D2/902
D731,761	S *	6/2015	Carroll	D2/907
D740,002	S *	10/2015	Della Valle	D2/944
D754,424	S *	4/2016	Spring	D2/960
D776,412	S *	1/2017	Carboy	D2/951
2010/0281714	A1 *	11/2010	Carboy	A43B 13/223 36/25 R
2013/0118036	A1 *	5/2013	Gibson	A43B 13/223 36/103
2015/0181976	A1 *	7/2015	Cooper	A43B 13/187 36/28

OTHER PUBLICATIONS

Men's Pinch Weekender, ColeHaan.com, [online], [site visited Apr. 18, 2017]. <URL: http://www.colehaan.com/mens-pinch-weekender-cornwall-blue-madras/C24800.html?dwvar_C24800_color=Cornwall%20Blue%20Madras&dwvar_C24800_width=>>.*

Men's GrandPro Tennis Sneaker, ColeHaan.com, [online], [site visited Apr. 18, 2017]. <URL: http://www.colehaan.com/mens-grandpro-tennis-sneaker-cornwall-blue-nubuck/C25160.html?dwvar_C25160_color=Cornwall%20Blue%20Nubuck&dwvar_C25160_width=>>.*

Cole Haan Men's Grandpro Tennis Fashion Sneaker, Amazon.com, Date first available at Amazon.com: Jun. 11, 2016, [online], [site visited Apr. 18, 2017]. <URL: <https://www.amazon.com/Cole-Haan-Grandpro-Tennis-Fashion/dp/B01EBCUXTU>>.*

Finally, a Performance Sneaker You Can Wear With a Suit, Esquire.com, by Jonathan Evans, May 5, 2016, [online], [site visited Apr. 18, 2017]. <URL: <http://www.esquire.com/style/news/a44624/colehaan-grand-pro/>>>.*

Here's How You Can Buy Nike's First Two HyperAdapt 1.0 Colorways, FootWearNEws.com, by Peter Verry / Nov. 29, 2016, [online], [site visited Apr. 18, 2017]. <URL: <http://footwearnews.com/2016/focus/athletic-outdoor/nike-hyperadapt-1-0-sneakers-release-new-york-city-280590/>>>.*

* cited by examiner

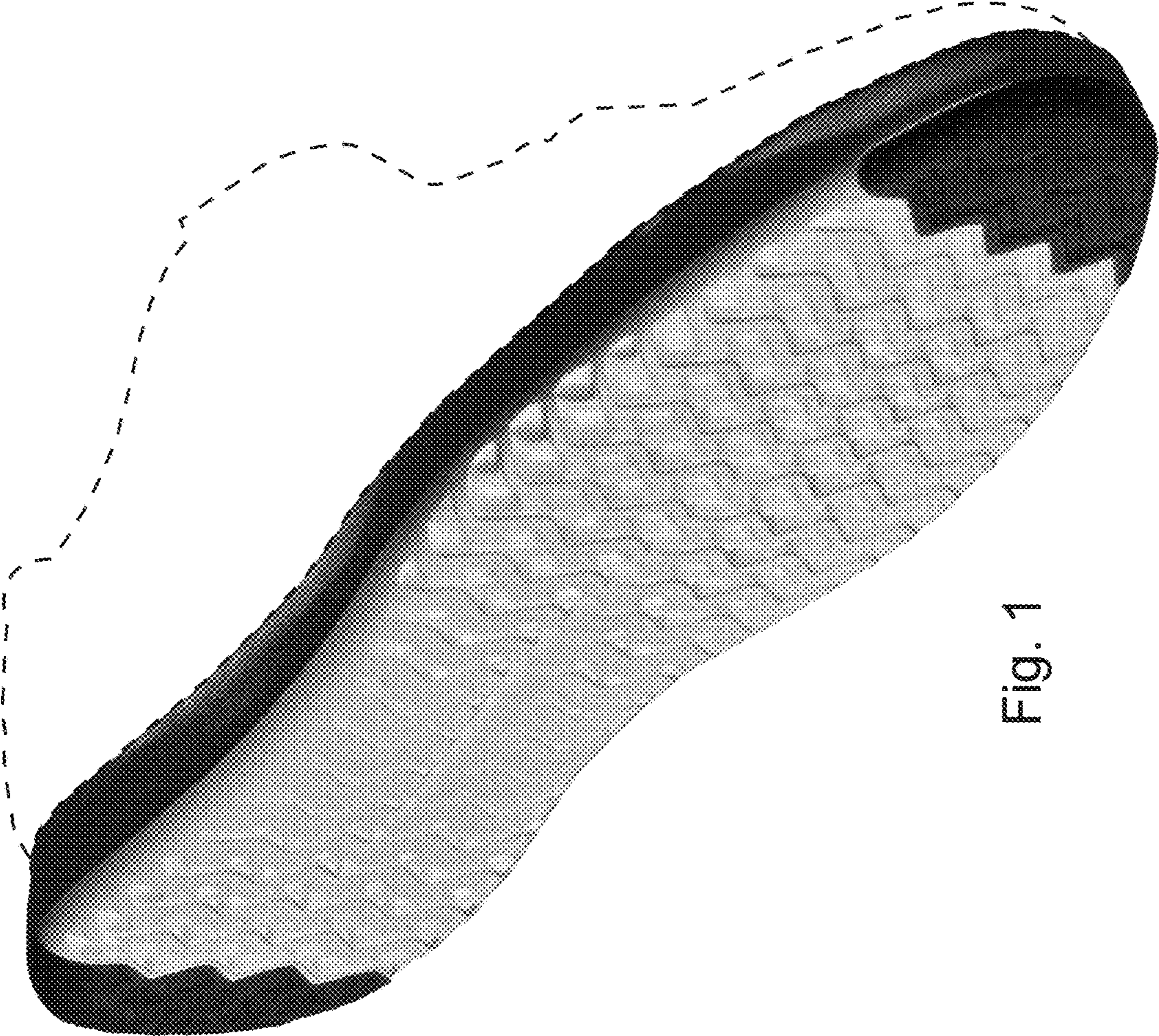


Fig. 1

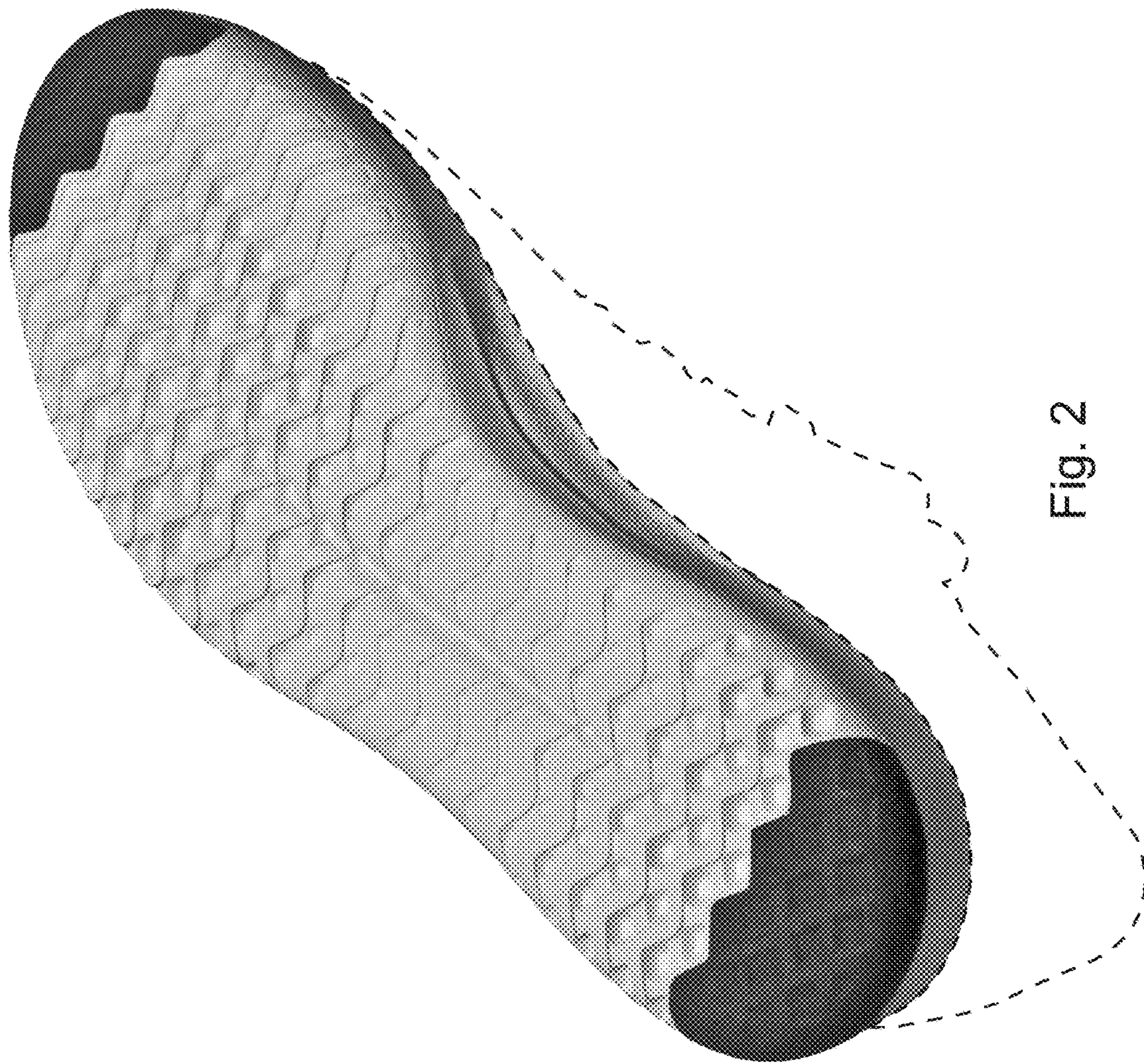


Fig. 2

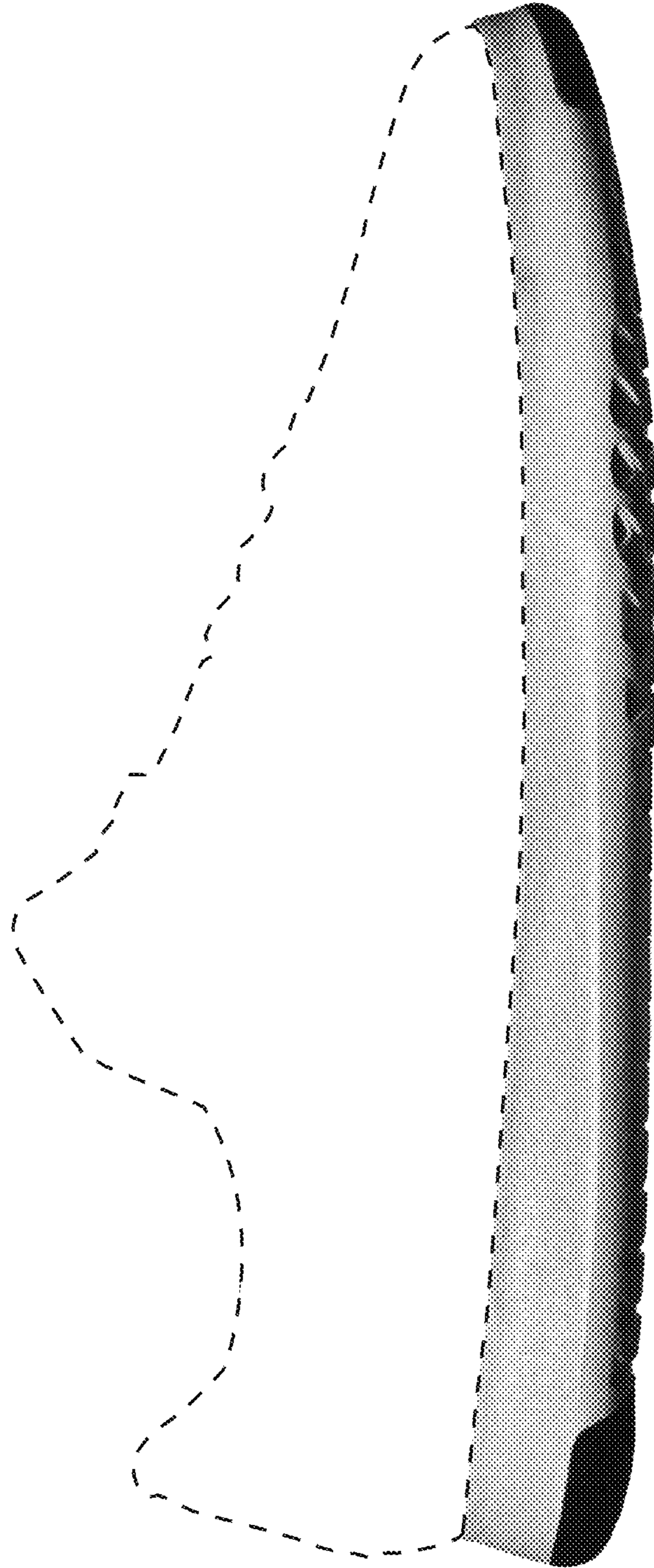


Fig. 3

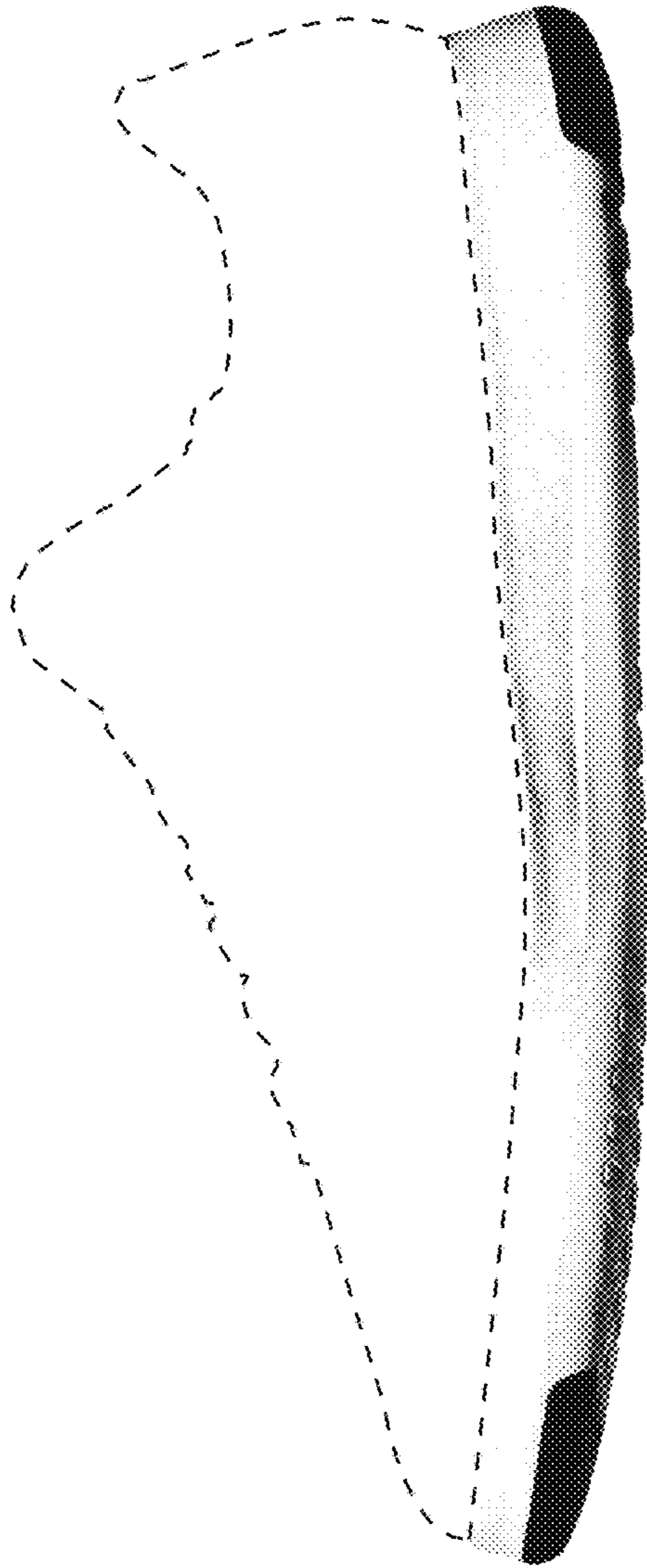


Fig. 4

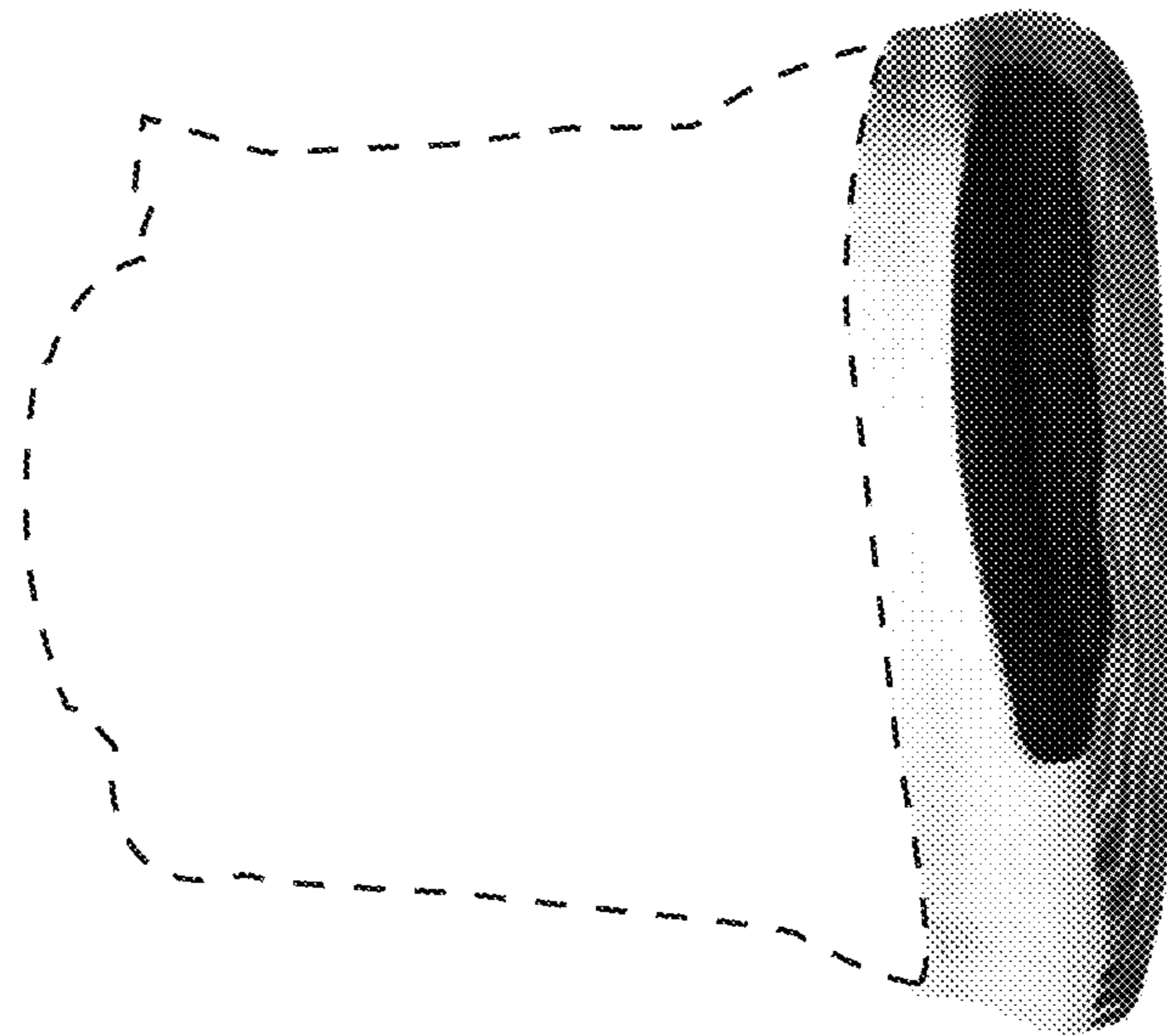


Fig. 5

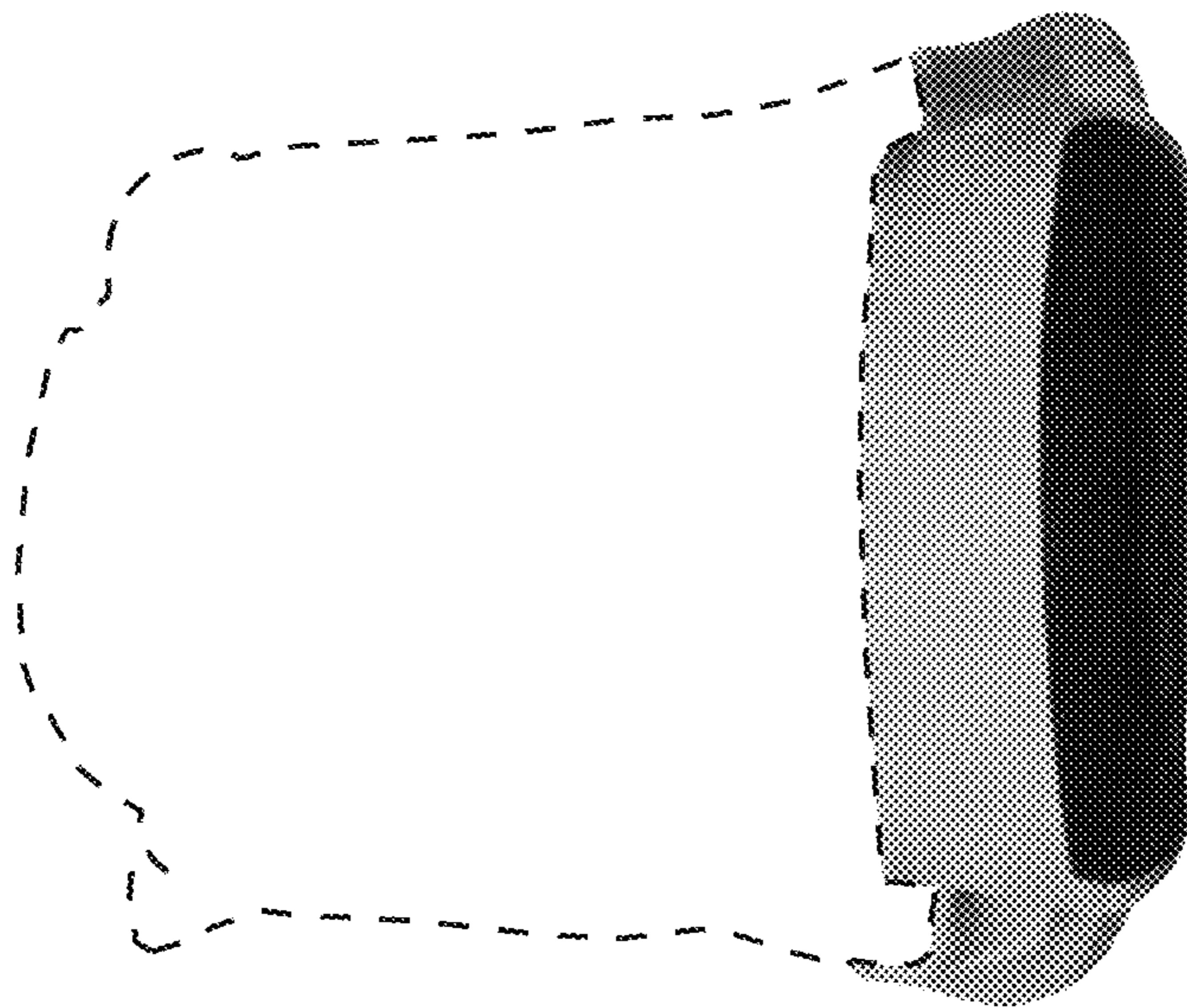


Fig. 6

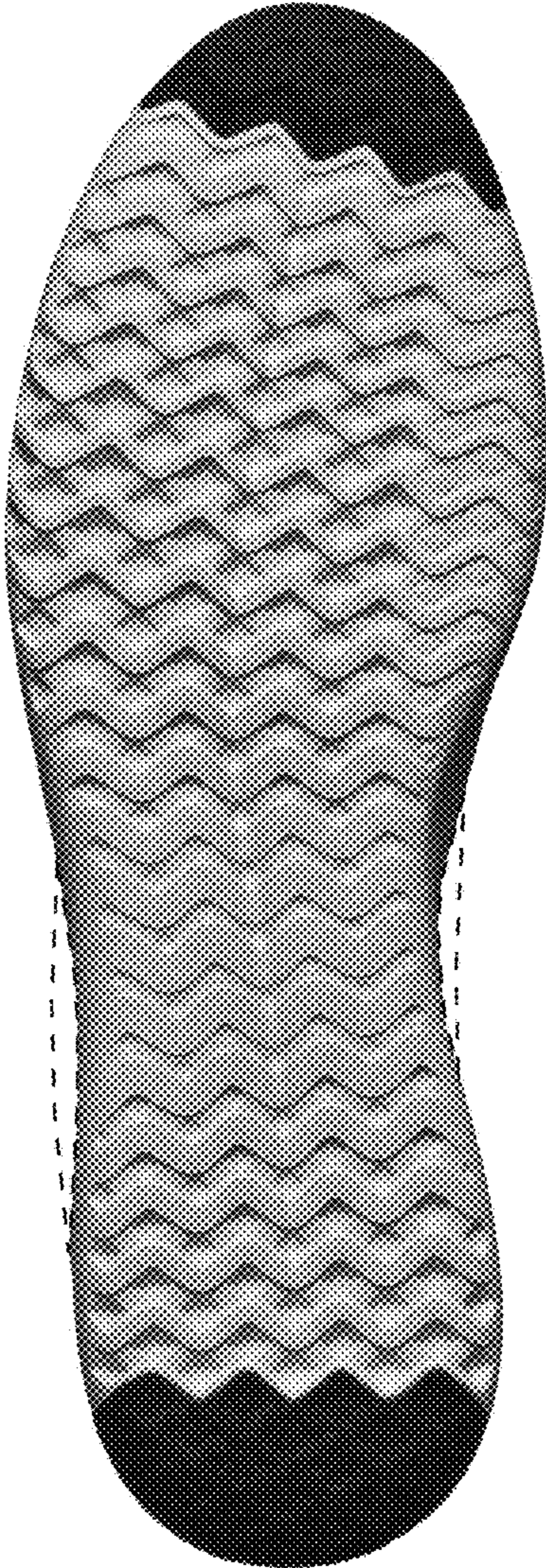


Fig. 7