



US00D792683S

(12) **United States Design Patent** (10) **Patent No.:** **US D792,683 S**  
**Carroll et al.** (45) **Date of Patent:** **\*\* Jul. 25, 2017**

(54) **CANVAS SHOE WITH TOE COVER,  
DECORATIVE SINGLE STITCHING,  
DECORATIVE TOE BUMPER PATTERN,  
AND TWO DECORATIVE FOXING STRIPES  
ALONG THE SOLE**

(71) Applicant: **Payless Shoesource Worldwide, Inc.,**  
Topeka, KS (US)

(72) Inventors: **Robert Michael Carroll**, Lawrence, KS  
(US); **Jodi Elizabeth Myers Carrier**,  
White Plains, NY (US)

(73) Assignee: **PAYLESS SHOESOURCE  
WORLDWIDE, INC.**, Topeka, KS  
(US)

(\*\*) Term: **14 Years**

(21) Appl. No.: **29/525,848**

(22) Filed: **May 4, 2015**

**Related U.S. Application Data**

(62) Division of application No. 29/437,614, filed on Nov.  
19, 2012, now Pat. No. Des. 731,761.

(51) **LOC (10) Cl.** ..... **02-04**

(52) **U.S. Cl.**  
USPC ..... **D2/902**

(58) **Field of Classification Search**  
USPC ..... D2/896, 902, 905, 906, 907, 908, 909,  
D2/910, 911, 912, 943, 944, 945, 946,  
D2/947, 953, 972, 976, 977

(Continued)

(56) **References Cited**

**U.S. PATENT DOCUMENTS**

1,581,783 A 4/1926 Bullock ..... 36/89  
1,708,156 A 4/1929 Scroggins ..... 36/89

(Continued)

**OTHER PUBLICATIONS**

Converse Chuck Taylor All Star, dated 2011.

(Continued)

*Primary Examiner* — Elizabeth J Oswecki

(74) *Attorney, Agent, or Firm* — Fox Rothschild LLP

(57) **CLAIM**

The ornamental design for a canvas shoe with toe cover,  
decorative single stitching, decorative toe bumper pattern,  
and two decorative foxing stripes along the sole, as shown  
and described.

**DESCRIPTION**

FIG. 1 is a right side perspective view of a first embodiment  
of a canvas shoe with toe cover, decorative single stitching,  
decorative toe bumper pattern, and two decorative foxing  
stripes along the sole showing our new design;

FIG. 2 is a top plan view thereof;

FIG. 3 is a right side elevation view thereof;

FIG. 4 is bottom plan view thereof;

FIG. 5 is a left side elevation view thereof;

FIG. 6 is a rear elevation view thereof;

FIG. 7 is a right side perspective view of a second embodi-  
ment of a canvas shoe with toe cover, decorative single  
stitching, decorative toe bumper pattern, and two decorative  
foxing stripes along the sole showing our new design;

FIG. 8 is a top plan view thereof;

FIG. 9 is a right side elevation view thereof;

FIG. 10 is bottom plan view thereof;

FIG. 11 is left side elevation view thereof;

FIG. 12 is a rear elevation view thereof;

FIG. 13 is a right side perspective view of a third embodi-  
ment of a canvas shoe with toe cover, decorative single  
stitching, decorative toe bumper pattern, and two decorative  
foxing stripes along the sole showing our new design;

FIG. 14 is top plan view thereof;

FIG. 15 is a right side elevation view thereof;

FIG. 16 is a bottom plan view thereof;

FIG. 17 is left side elevation view thereof;

FIG. 18 is a rear elevation view thereof;

(Continued)

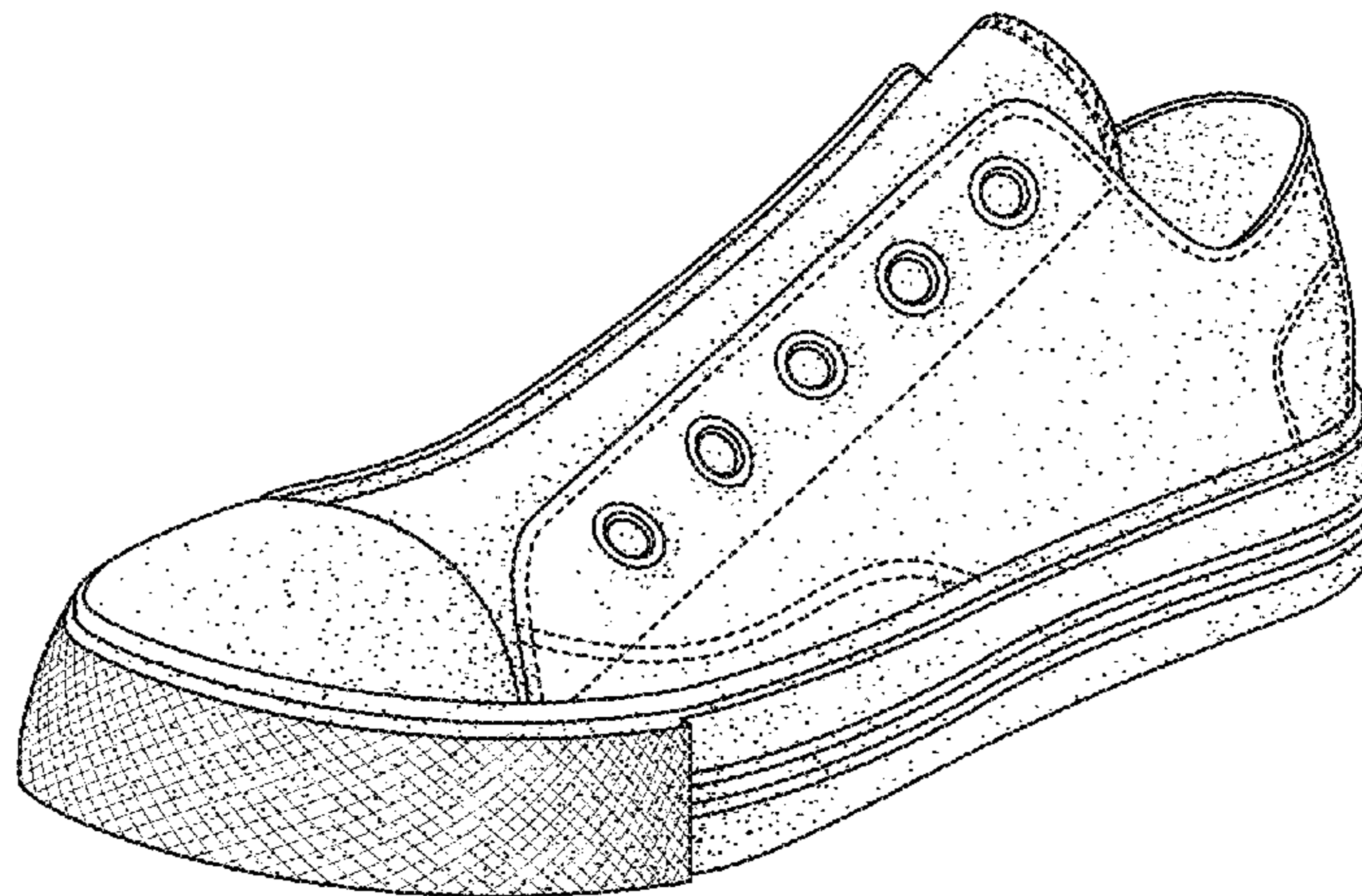




FIG. 19 is a right side perspective view of a fourth embodiment of a canvas shoe with toe cover, decorative single stitching, decorative toe bumper pattern, and two decorative foxing stripes along the sole showing our new design; FIG. 20 is top plan view thereof; FIG. 21 is a right side elevation view thereof; FIG. 22 is a bottom plan view thereof; FIG. 23 is a left side elevation view thereof; and, FIG. 24 is a rear elevation view thereof. The broken lines shown on the shoe represent thread stitching.

All surfaces not shown form no part of the claimed design.

**1 Claim, 12 Drawing Sheets**

**(58) Field of Classification Search**

CPC .... A43B 1/00; A43B 3/00; A43B 5/00; A43B 5/001; A43B 5/002; A43B 5/003; A43B 5/005; A43B 5/006; A43B 5/007; A43B 5/008; A43B 5/02; A43B 5/025; A43B 5/06; A43B 5/08; A43B 5/10; A43B 5/14  
See application file for complete search history.

**(56) References Cited**

**U.S. PATENT DOCUMENTS**

1,952,628	A	3/1934	MacDonald	36/4
D173,030	S	9/1954	Hoza	D2/902
2,994,972	A	8/1961	Blair	36/92
3,613,273	A	10/1971	Marquis	36/89
D233,805	S	12/1974	Kubo	D2/902
D273,244	S	4/1984	Norton et al.	D2/902
D279,139	S	6/1985	Gamm	D2/902
4,584,783	A	4/1986	Dobbin	36/50.1
D555,332	S	11/2007	Liles	D2/902
D555,333	S	11/2007	Riebesell	D2/902
D590,138	S	4/2009	Cofinco	D2/902
D590,579	S	4/2009	Cofinco	D2/902
D611,240	S	3/2010	Choi	D2/969
D615,734	S	5/2010	Di Nucci	D2/907
D634,519	S	3/2011	Choi	D2/902
D634,520	S	3/2011	Choi	D2/902
D641,546	S	7/2011	Choi	D2/969
D641,963	S	7/2011	Choi	D2/969
D656,715	S	4/2012	Katz et al.	D2/902
D665,562	S	8/2012	Di Nucci	D2/902
D670,479	S	11/2012	Maier	D2/907
D680,714	S *	4/2013	Della Valle	D2/908
D681,314	S	5/2013	Dumain	D2/902
D701,680	S	4/2014	Della Valle et al.	D2/902
D702,024	S	4/2014	Della Valle et al.	D2/902
D702,423	S	4/2014	Della Valle et al.	D2/902
D725,353	S *	3/2015	Della Valle	D2/944
D729,503	S *	5/2015	Carroll	D2/902
D731,761	S *	6/2015	Carroll	D2/907
D738,084	S *	9/2015	Feeney	D2/907
D751,797	S *	3/2016	Slimane	D2/908
D762,358	S *	8/2016	Slimane	D2/929
D762,359	S *	8/2016	Slimane	D2/925
D762,364	S *	8/2016	Siegel	D2/944
D768,372	S *	10/2016	Bernardoni	D2/972
9,474,330	B2 *	10/2016	Panian	A43C 1/006
D774,288	S *	12/2016	Pina	D2/908
D775,807	S *	1/2017	Rauner	D2/972
D776,910	S *	1/2017	Johnson	D2/972

D776,912	S *	1/2017	Heinrich	D2/973
2004/0211085	A1 *	10/2004	Passke	A43B 13/189 36/3 B
2010/0275470	A1 *	11/2010	Hoffer	A43B 1/0009 36/3 R

**OTHER PUBLICATIONS**

PF Flyers, Source: *Zappos.com*, <http://www.zappos.com/multiview/7742896/291927> (last visited Mar. 29, 2012).  
 PF Flyer Kids Center Hi (toddler/youth), dated 2012.  
 Advertisement showing P.F. Shoes made by B.F. Goodrich and Hood; undated, believed to be available in 1950; 1 page.  
 Original PRO-Keds 69er; undated, believed to be available in 1970; 1 page.  
 Pro-Keds Unisex Royal Hi Leather Sneaker, 2012.  
 1925 Keds Advertisement, dated 1925.  
 Keds, Source: *Old Sneakers—1934 Keds*, Charlie's Sneaker Pages, <http://sneakers.pair.com/o-34keds.htm> (last visited Mar. 1, 2012).  
 Spalding, Source: *Sports Memorabilia Museum—Basketball History*, <http://www.sportsmemorabilia-museum.com/basketballhistory/1930s-spalding-basketball-shoes.shtml> (last visited Mar. 1, 2012).  
 Spaulding SS advertisement showing its signature orange sole; undated, believed to be available in 1970; 1 page.  
 Sears Source: *Old Sneakers—1946 Basketball High—Tops*, Charlie's Sneaker Pages, <http://sneakers.pair.com/o-46high.htm> (last visited Mar. 1, 2012).  
 Levi's Source: *Zappos.com*, <http://www.zappos.com/multiview/7818893/16191> (last visited Mar. 29, 2012).  
 Crocs Source: *6pm.com*, <http://www.6pm.com/multiview/7818893/16191> (last visited Mar. 29, 2012).  
 Keen Source: *Zappos.com*, <http://www.zappos.com/multiview/7490213/218884> (last visited Mar. 29, 2012).  
 Prada Source: *Bluefly.com*, [http://www.bluefly.com/prada-pradasport-petrol-velvet-cap-toesneakers/PRODUCT\\_FEED/315295801/detail.fly](http://www.bluefly.com/prada-pradasport-petrol-velvet-cap-toesneakers/PRODUCT_FEED/315295801/detail.fly) (last visited Mar. 29, 2012).  
 Pony Shooter, '78 Source: *Amazon.com*, <http://www.amazon.com/Pony-Mens-Shooter-Canvas-Cream/dp/B000AXMIXY> (last visited Mar. 29, 2012).  
 Diesel II, dated 2012.  
 Burberry Check Lace-Up Sneaker, <http://shop.norstrom.com/s/burberry-check-lace-up-sneaker/2964612> [Apr. 2, 2012 11:17:29 AM].  
 Calvin Klein Jeans Len, <http://www.zappos.com/multiview/7841091/4854> [Apr. 2, 2012 11:15:46 AM].  
 Coach: Bonny Sneaker, <http://www.coach.com/...eaker&price=11800&style=Q1456&size=null&color=KHAKI/SILVER%20MLTCOLOR&colorString=amy> [Apr. 2, 2012 11:16:37AM].  
 Zappos.com, Ed Hardy Devinette, 2012.  
 Zappos.com, Ed Hardy Highrise, 2012.  
 Belstaff 'Jair' High Top Trainer, 2012.  
 Juicy Couture, 6PM.com, 2012.  
 Montauk High-Top Sneaker, [http://ralphlauren.com/product/index.jsp?productId=12571509&utm\\_medium=feeds&utm\\_source=RLGoole%2BShopping&utm\\_campaign=Product%2BSearch](http://ralphlauren.com/product/index.jsp?productId=12571509&utm_medium=feeds&utm_source=RLGoole%2BShopping&utm_campaign=Product%2BSearch) [Apr. 2, 2012 11:11:18:59 AM].  
 Skechers Kids Twinkles Toes—S Lights—Shuffles—Lightening Hearts, <http://www.zappos.com/multiview/7752294/276341> [Apr. 2, 2012 11:25:48 AM].  
 Stride Rite, 6PM.com, 2012.  
 Sanrio Hello Kitty Hi Top Color Canvas Shoes Vivitix, 2012.  
 Diane Von Furstenberg for GAP Printed DVF Hearts Women7, <http://www.ebay.com/itm/Diane-Von-Furstenburg-GAP-Printed-DVF-Hearts-Hi-Tops-Shoes-SIZE-Kids5-Women7-/130673443490#vi-content> [Apr. 2, 2012 11:21:17 AM].  
 Civic Duty 'Illumination' Sneaker, 2012.

\* cited by examiner



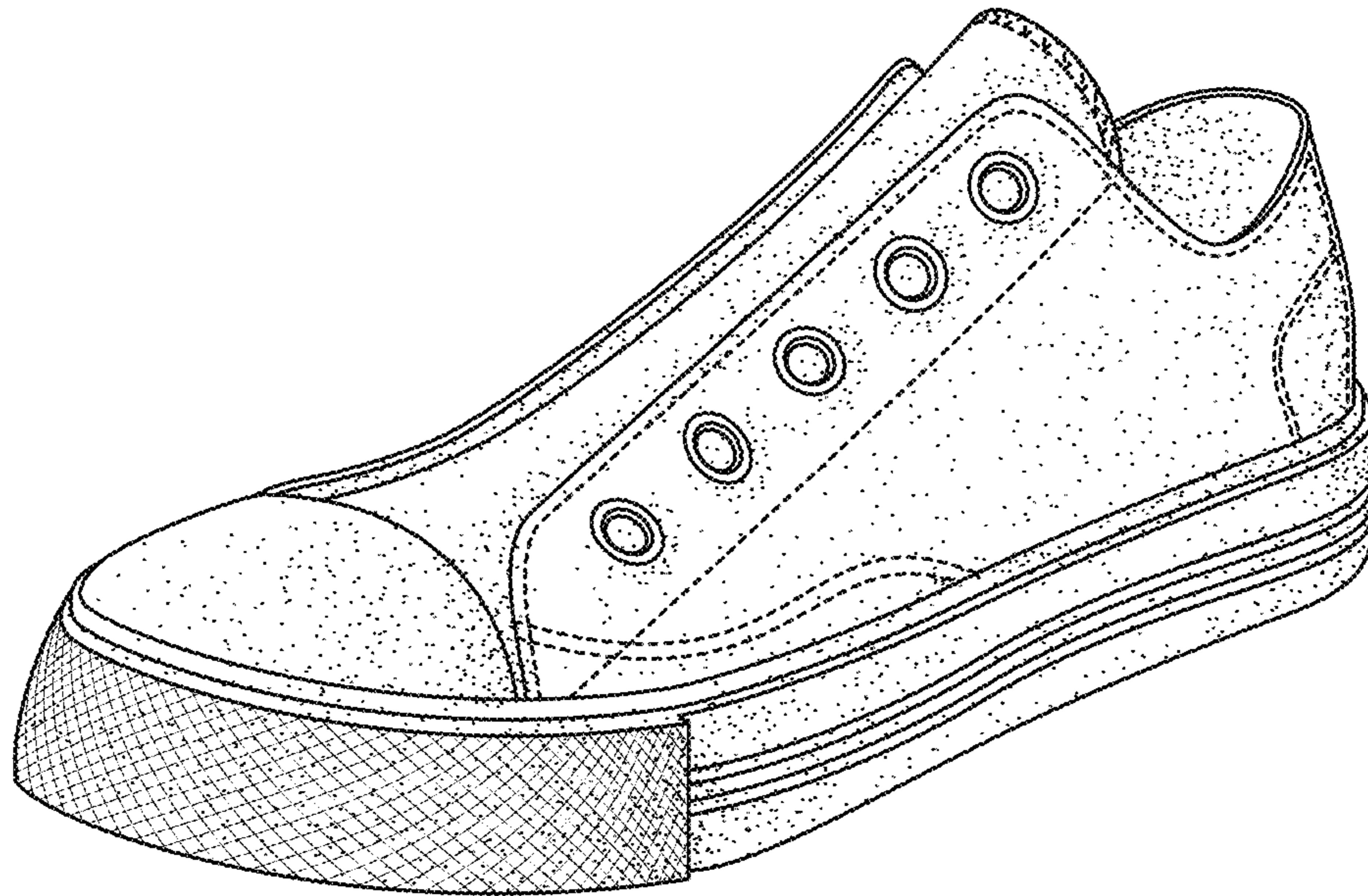


FIG. 1

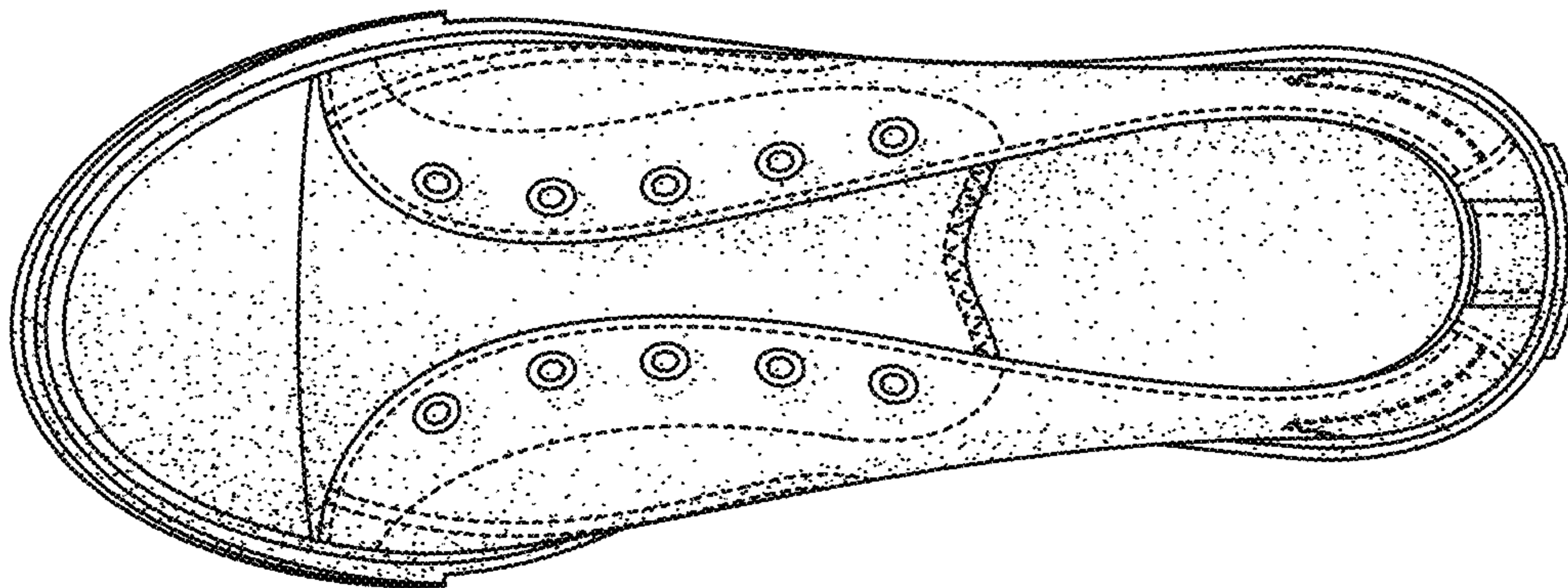


FIG. 2

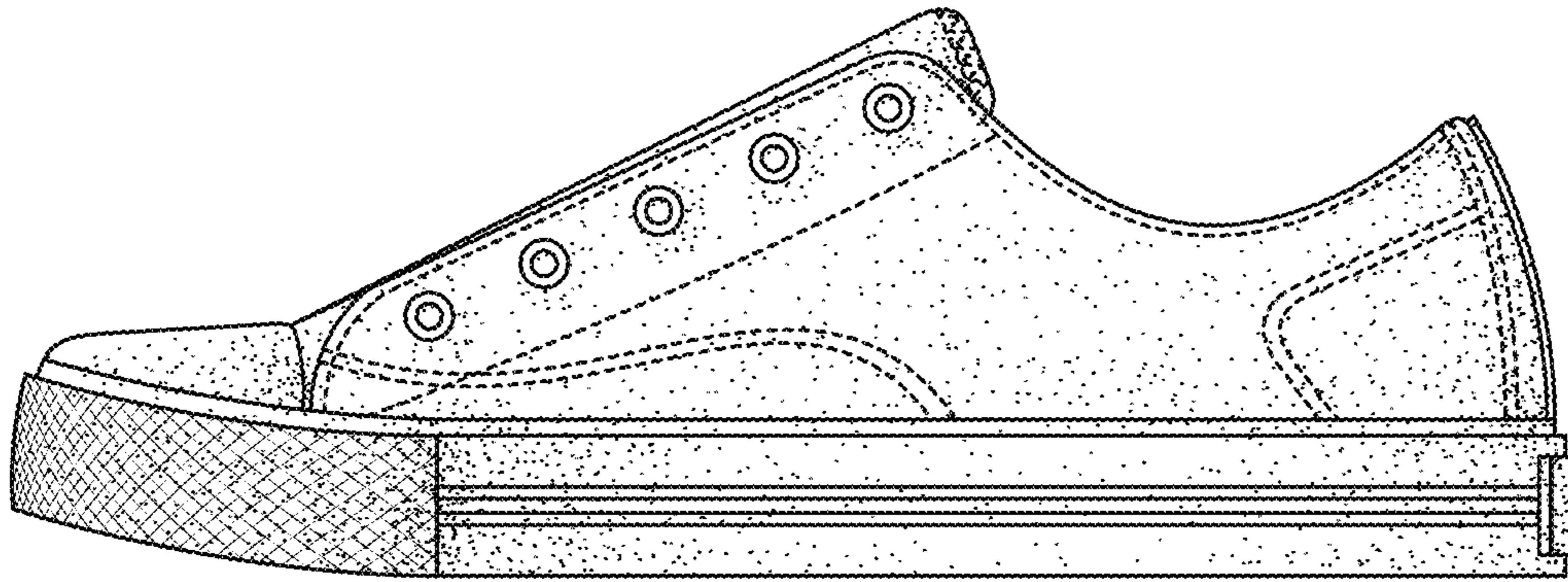


FIG. 3

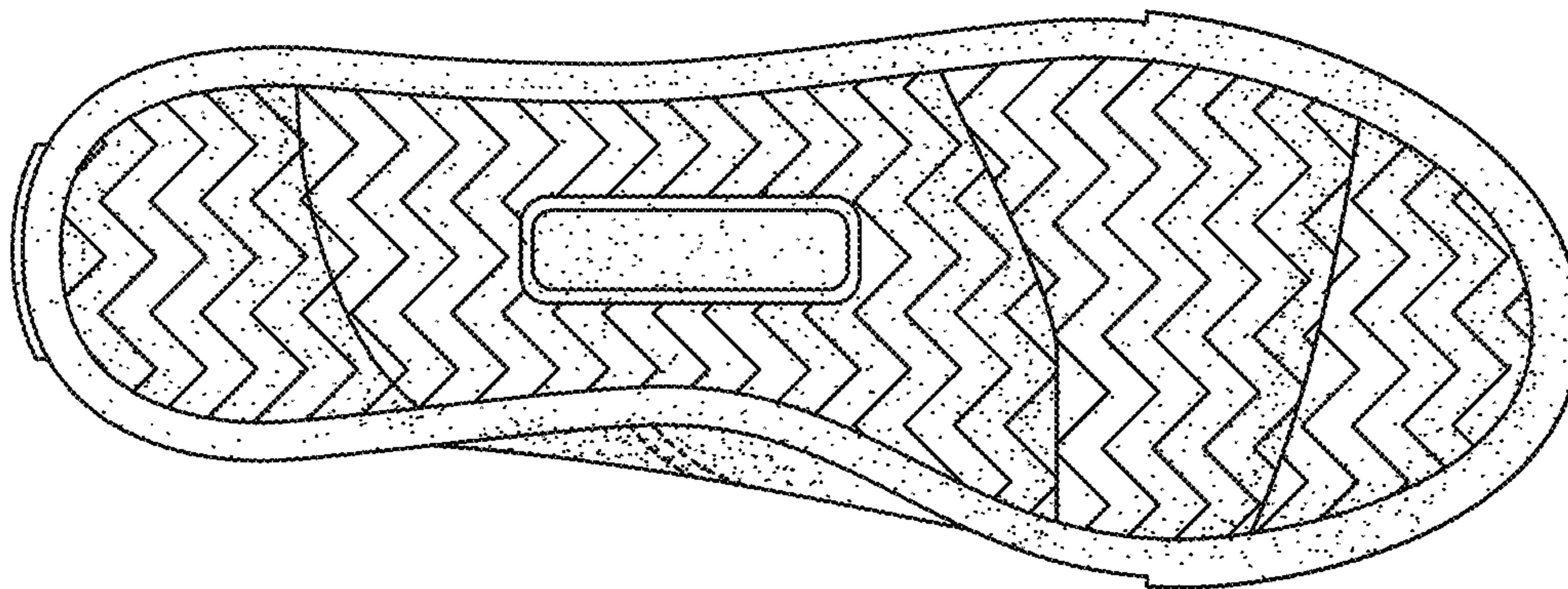


FIG. 4

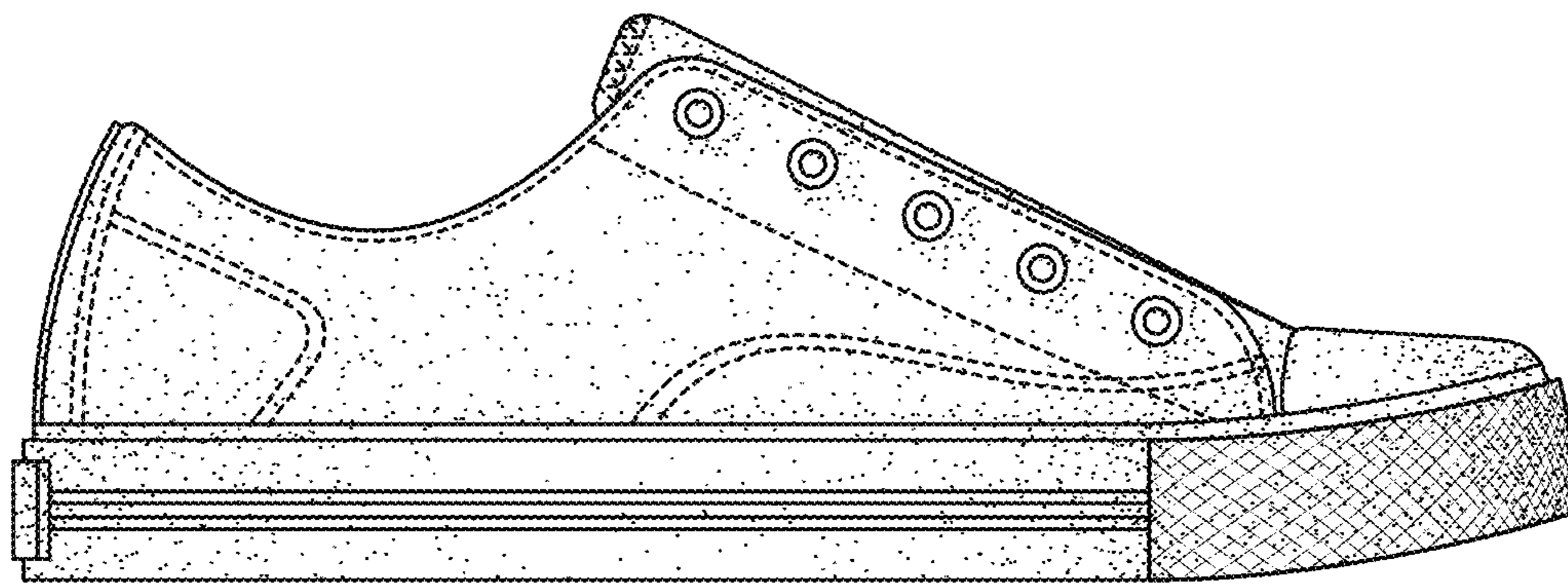


FIG. 5

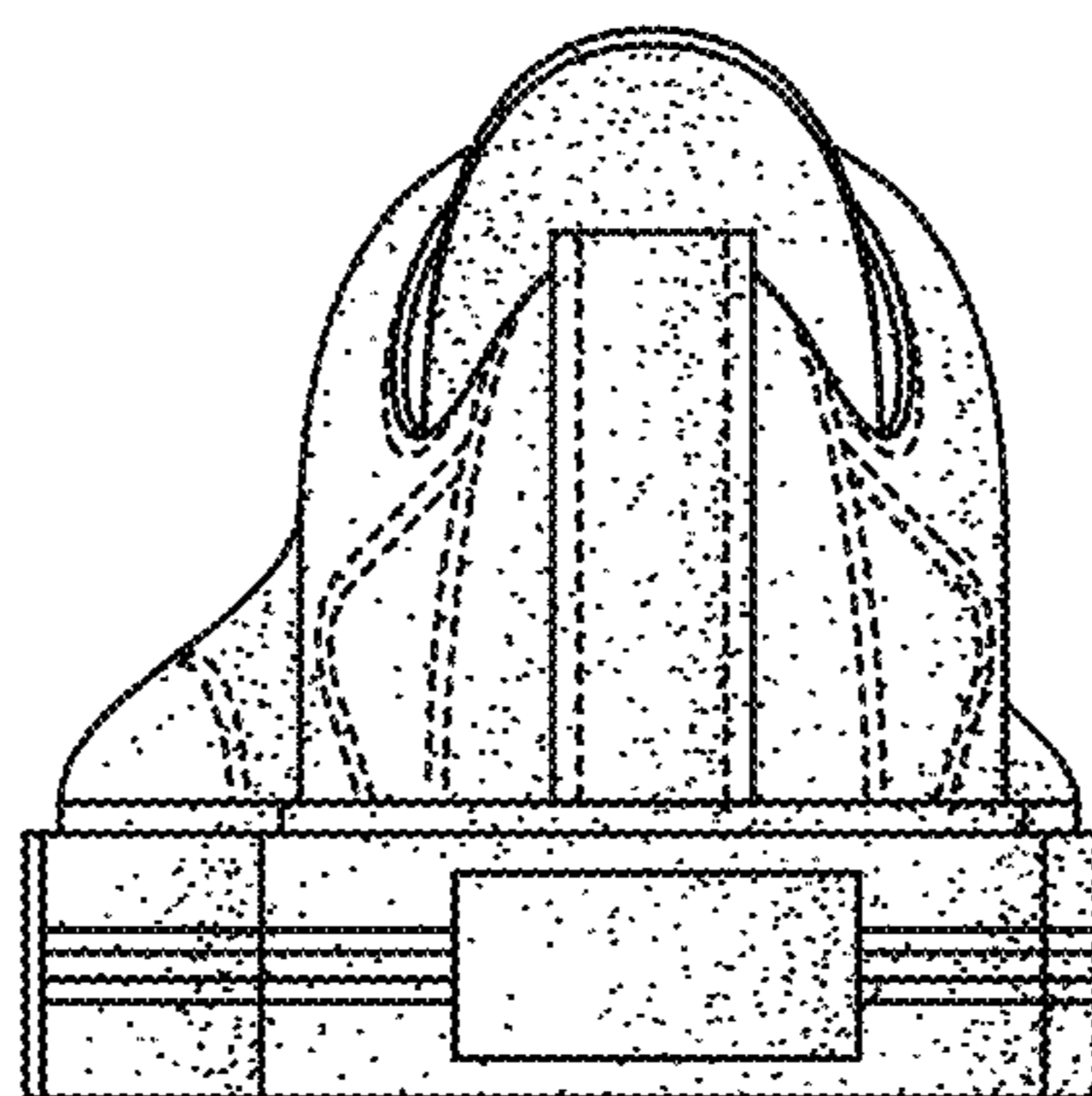


FIG. 6



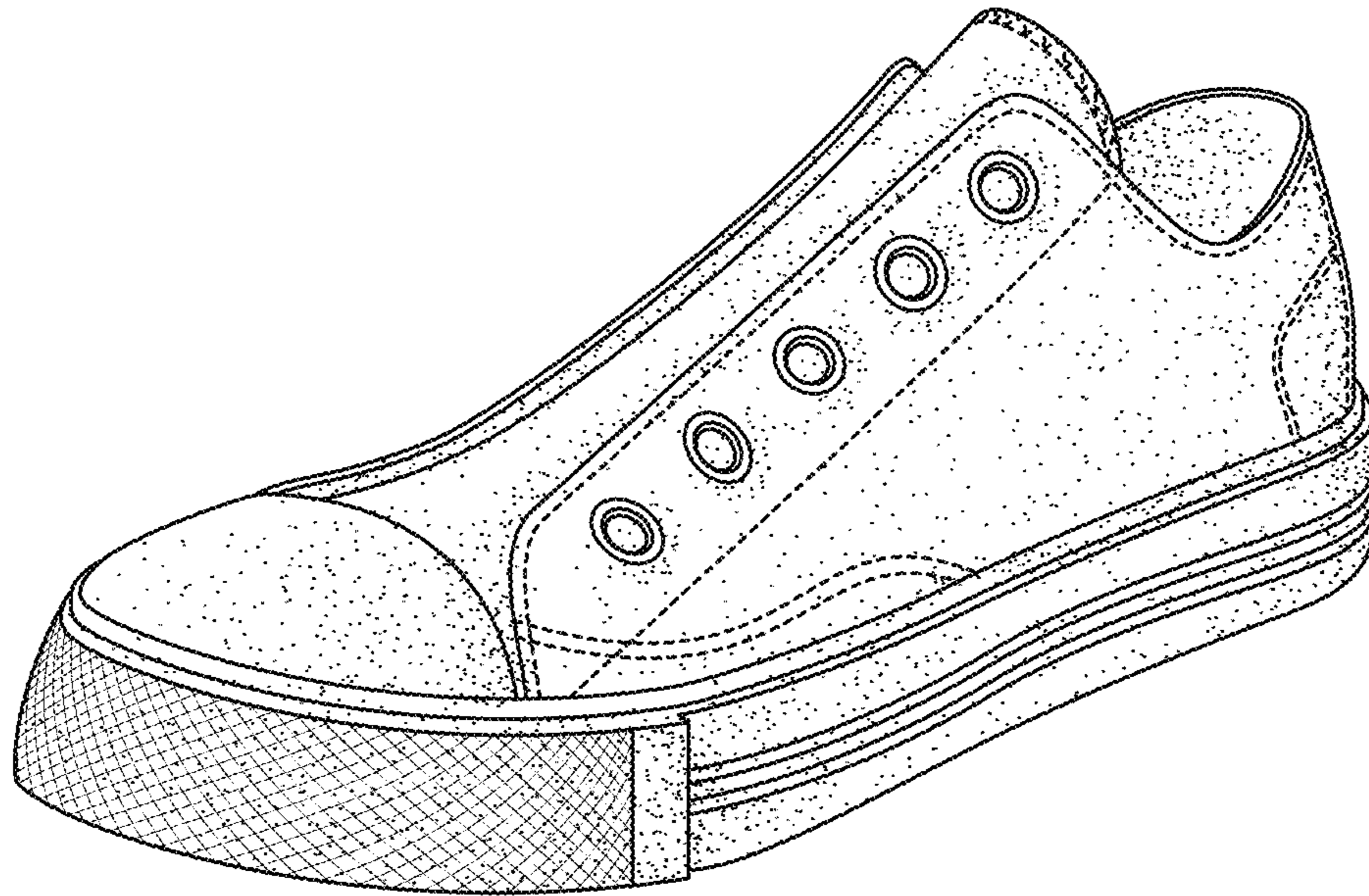


FIG. 7

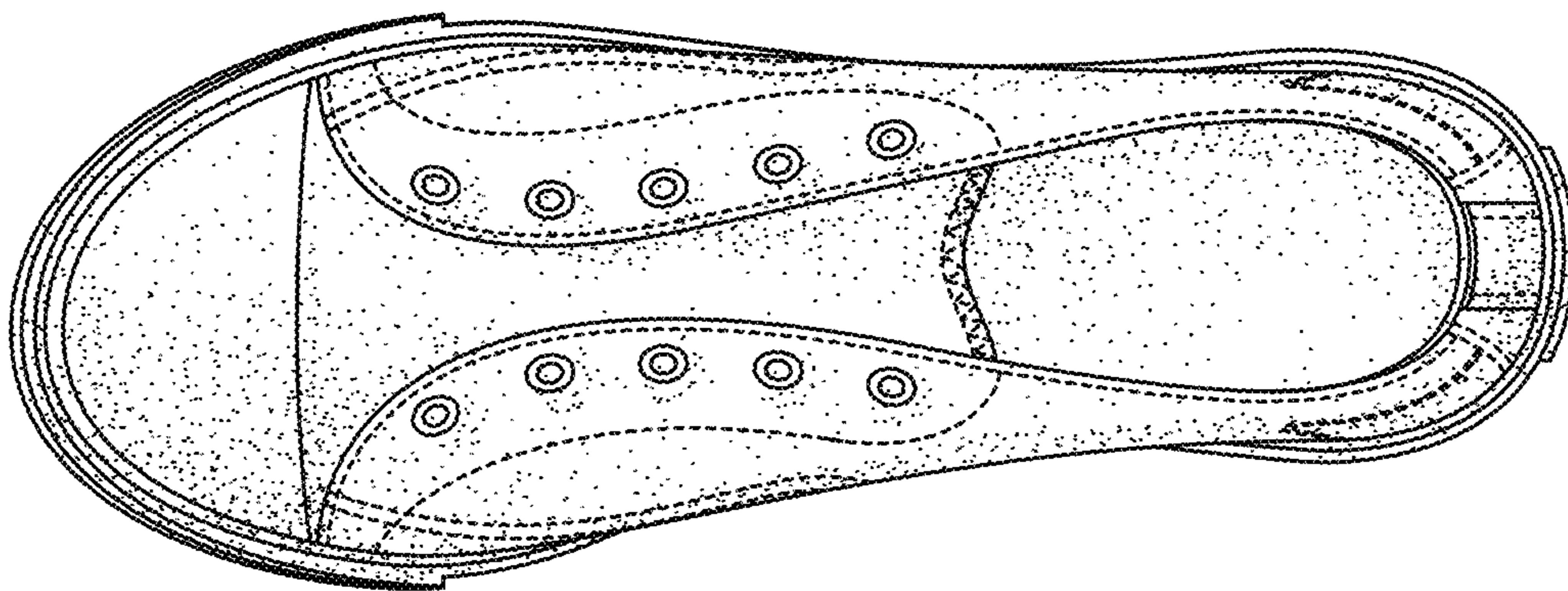


FIG. 8

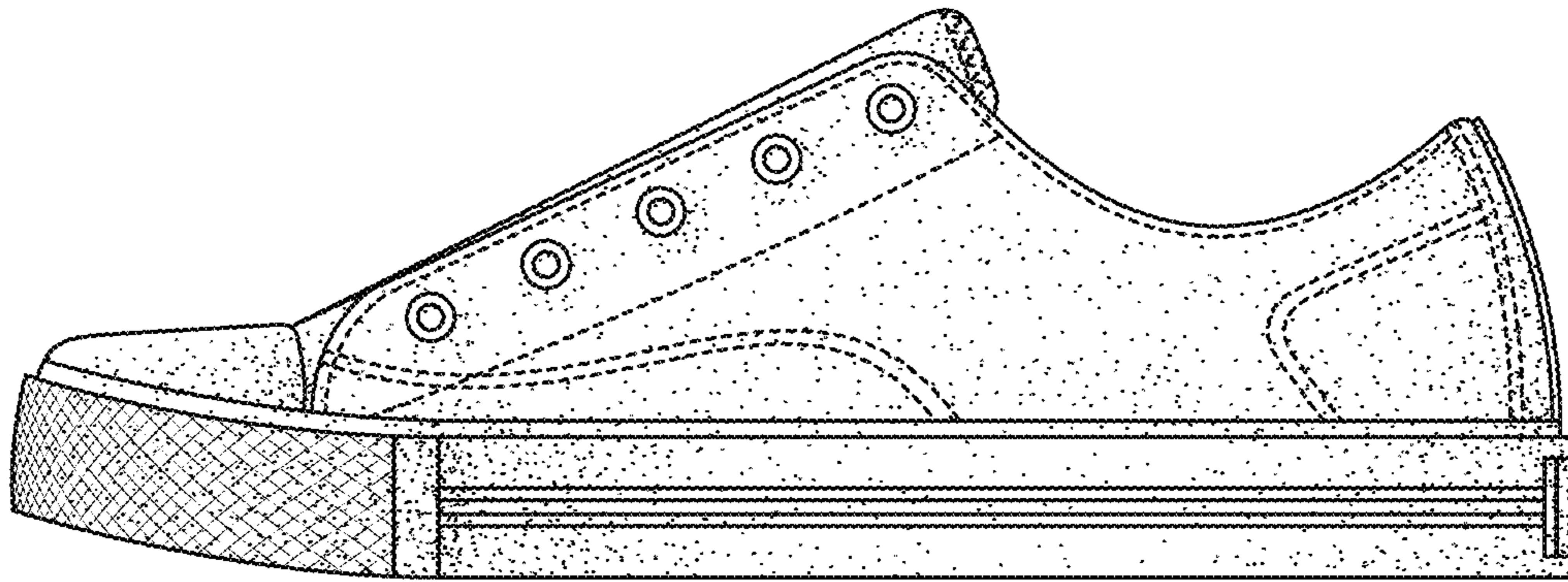


FIG. 9

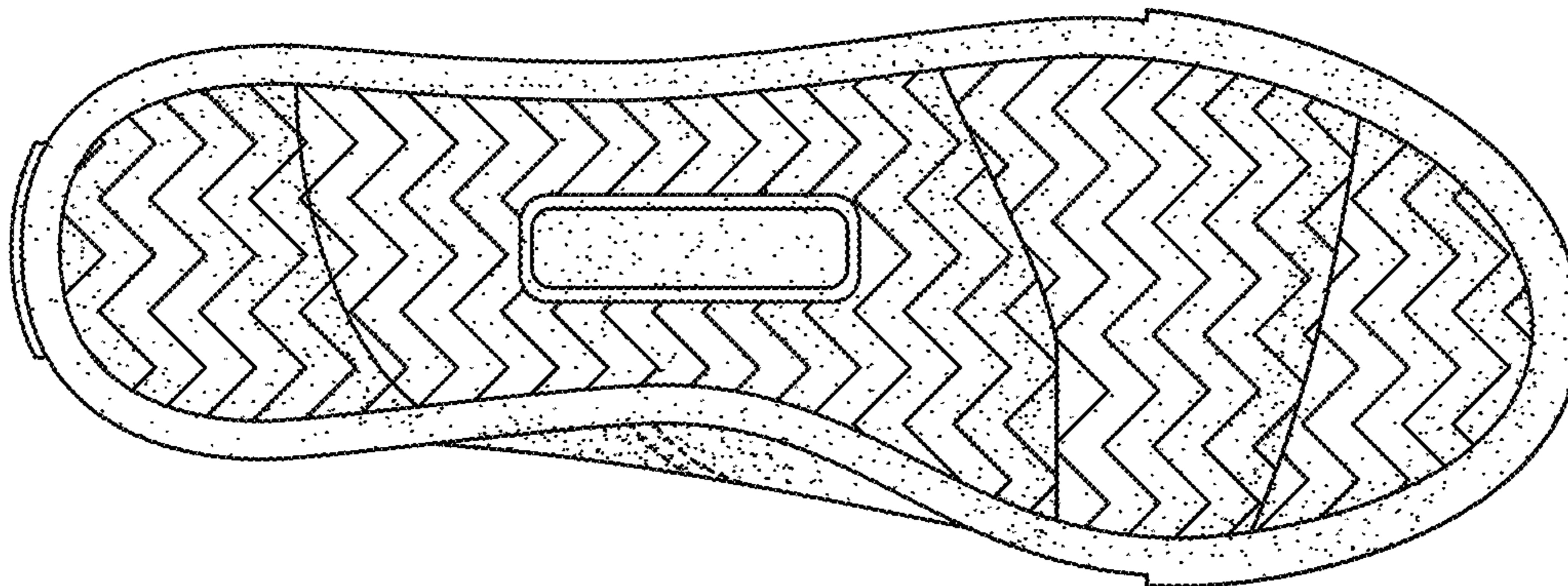


FIG. 10

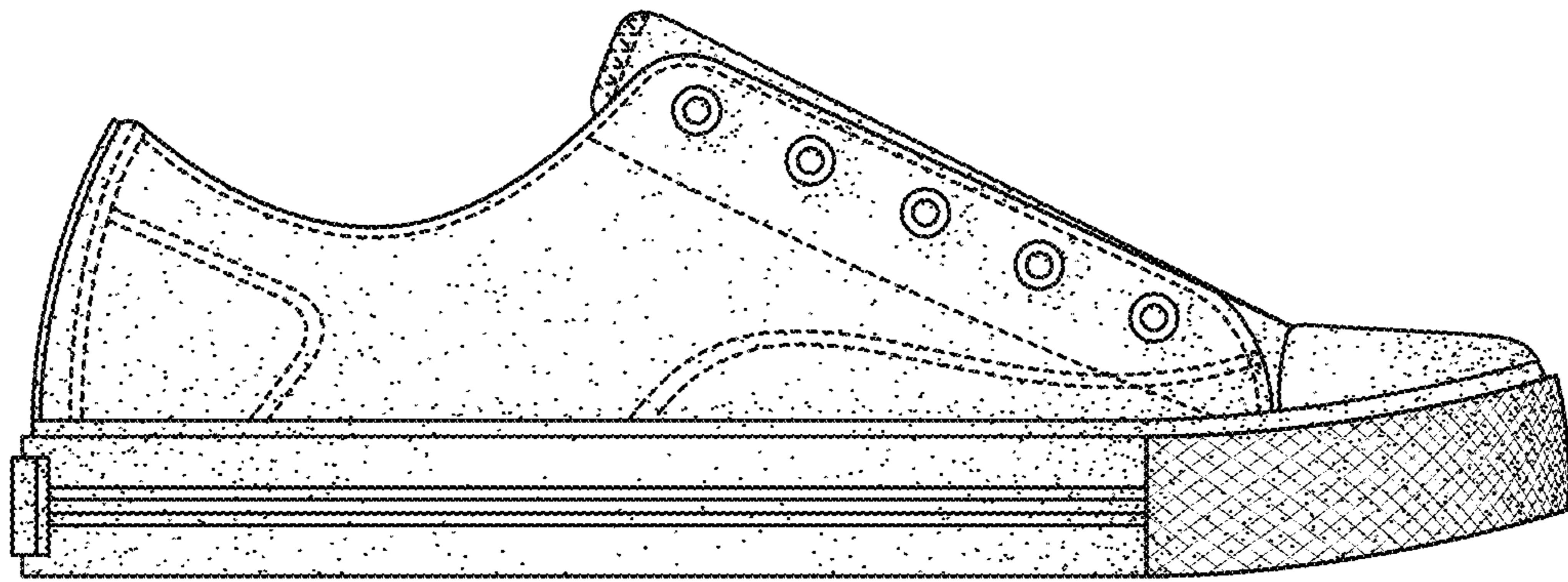


FIG. 11

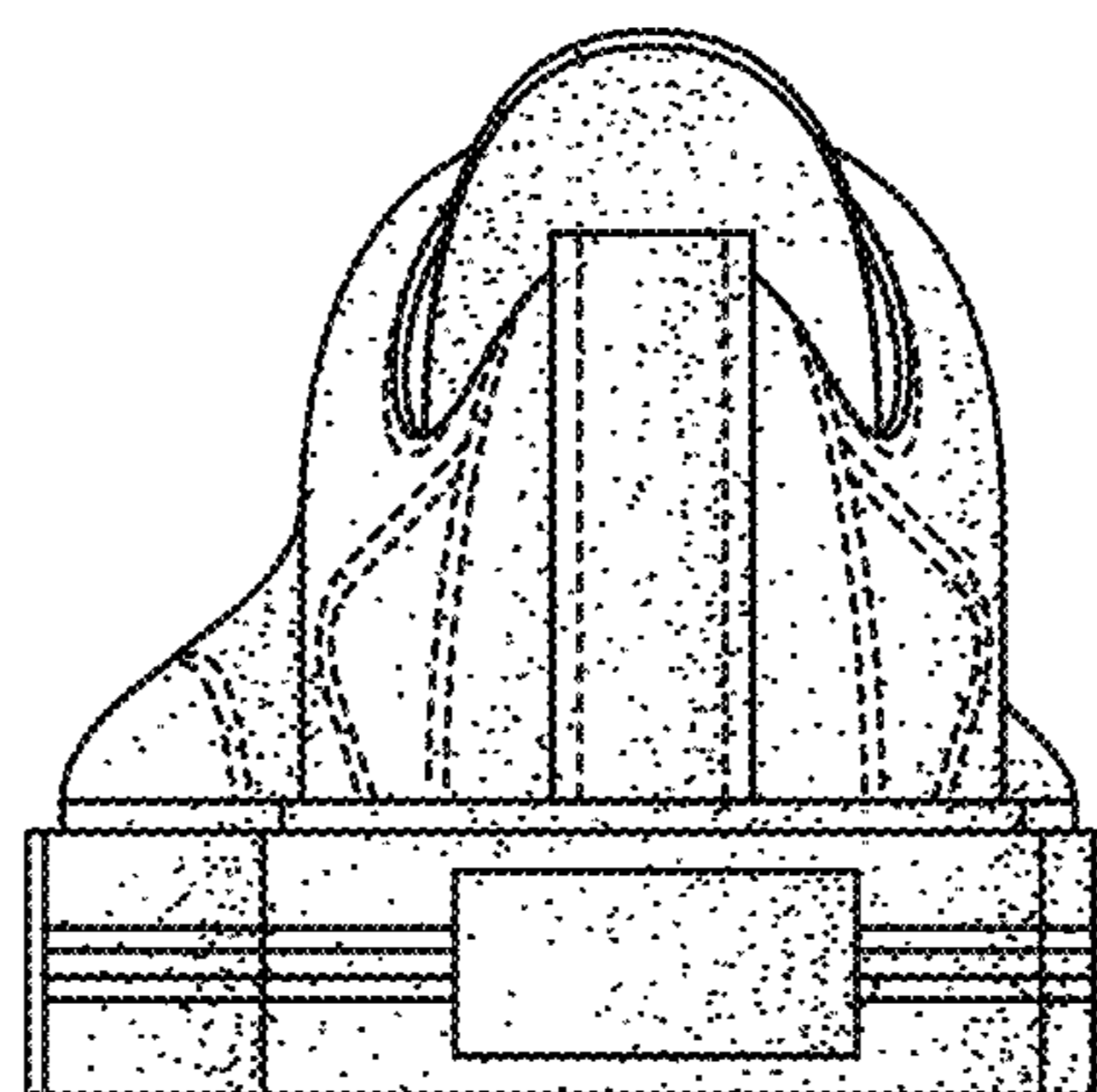


FIG. 12



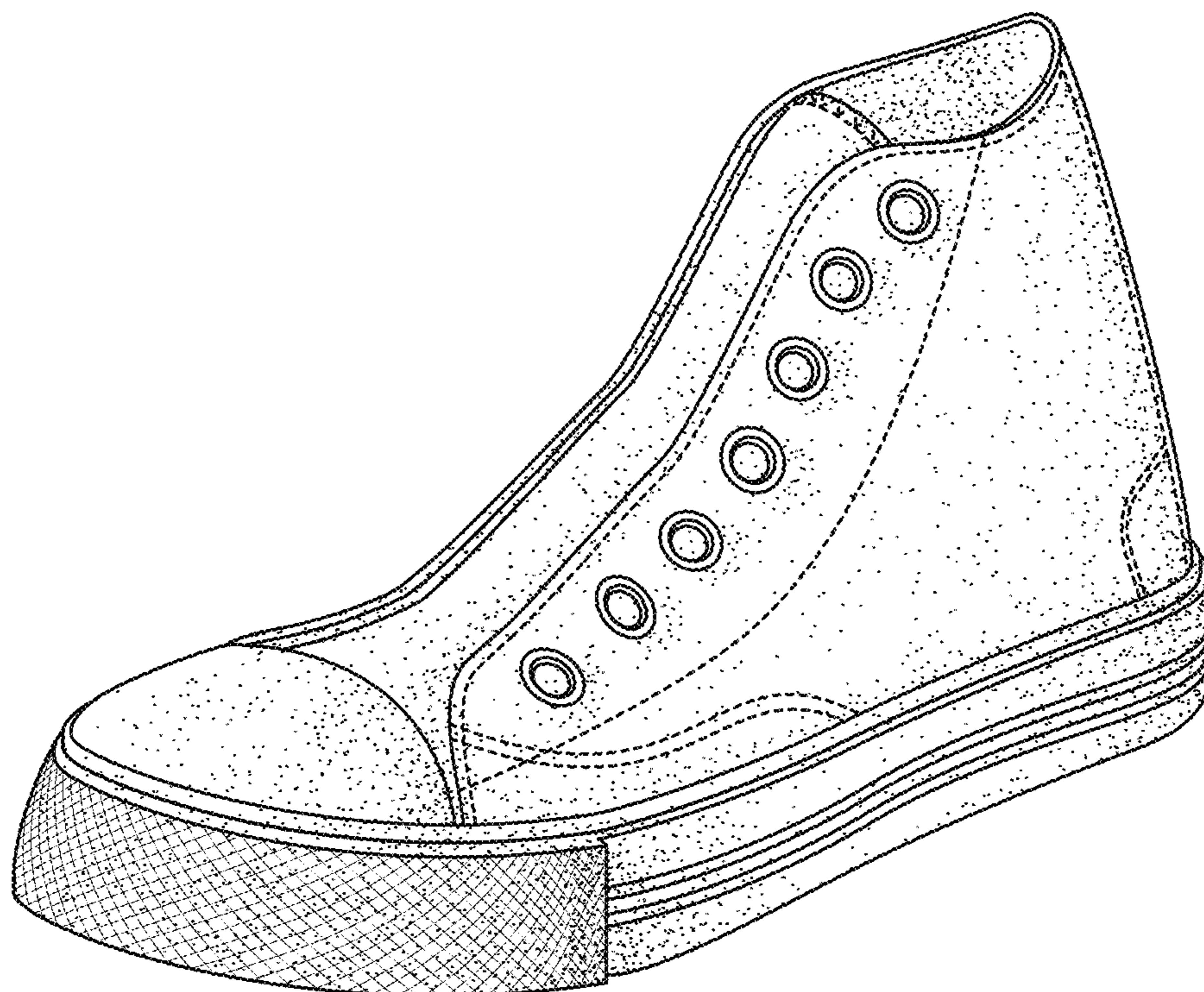


FIG. 13

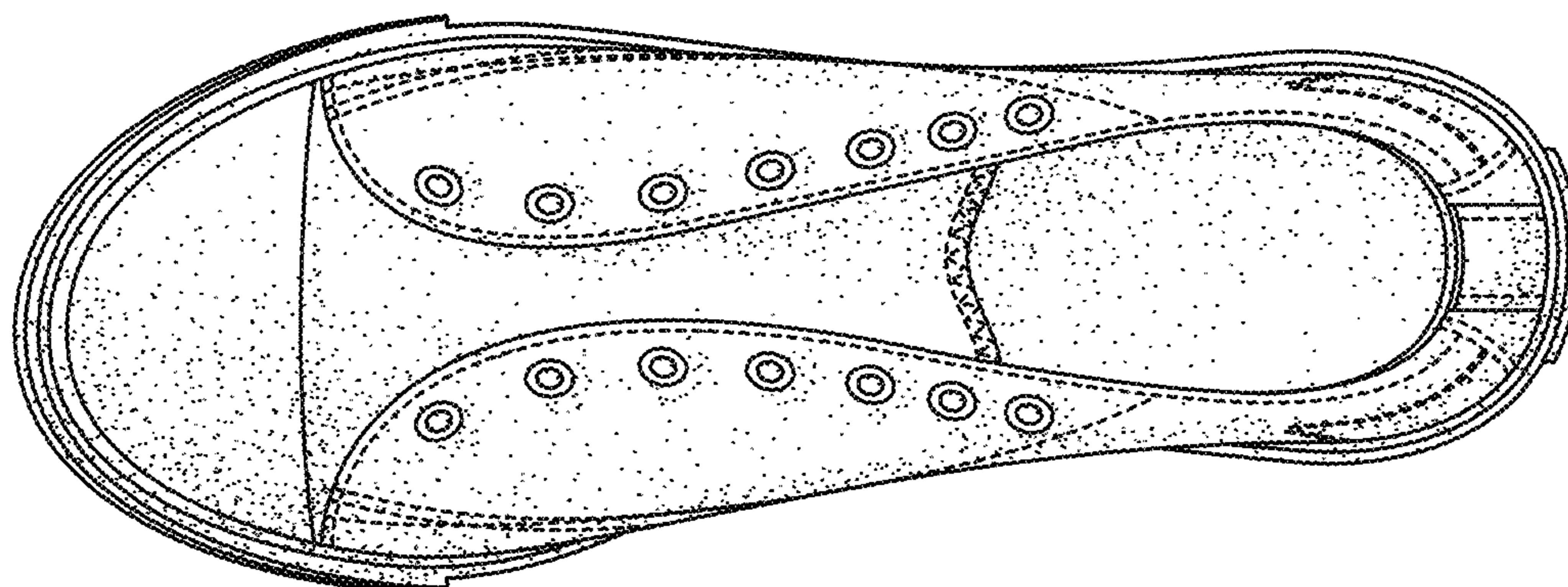


FIG. 14

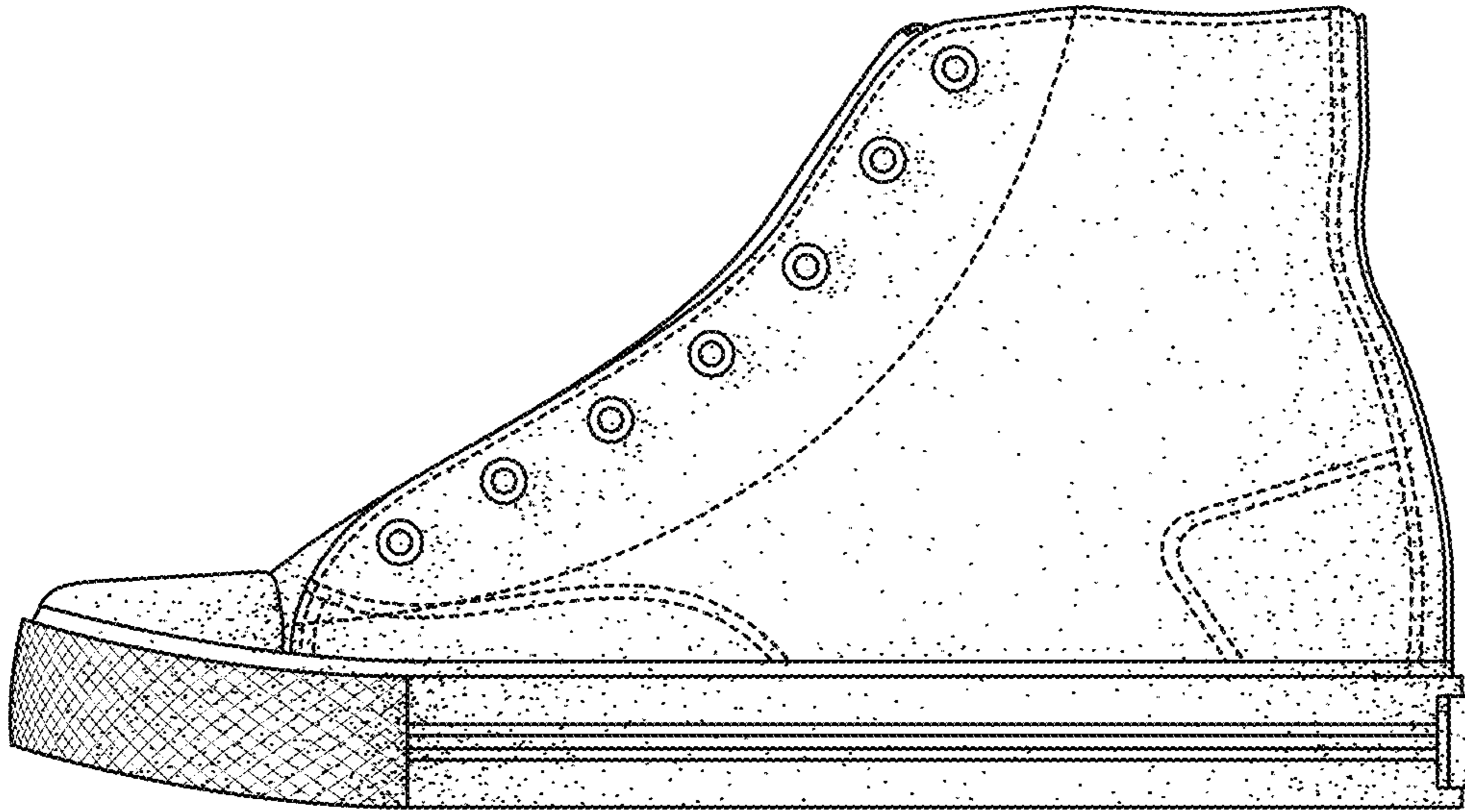


FIG. 15

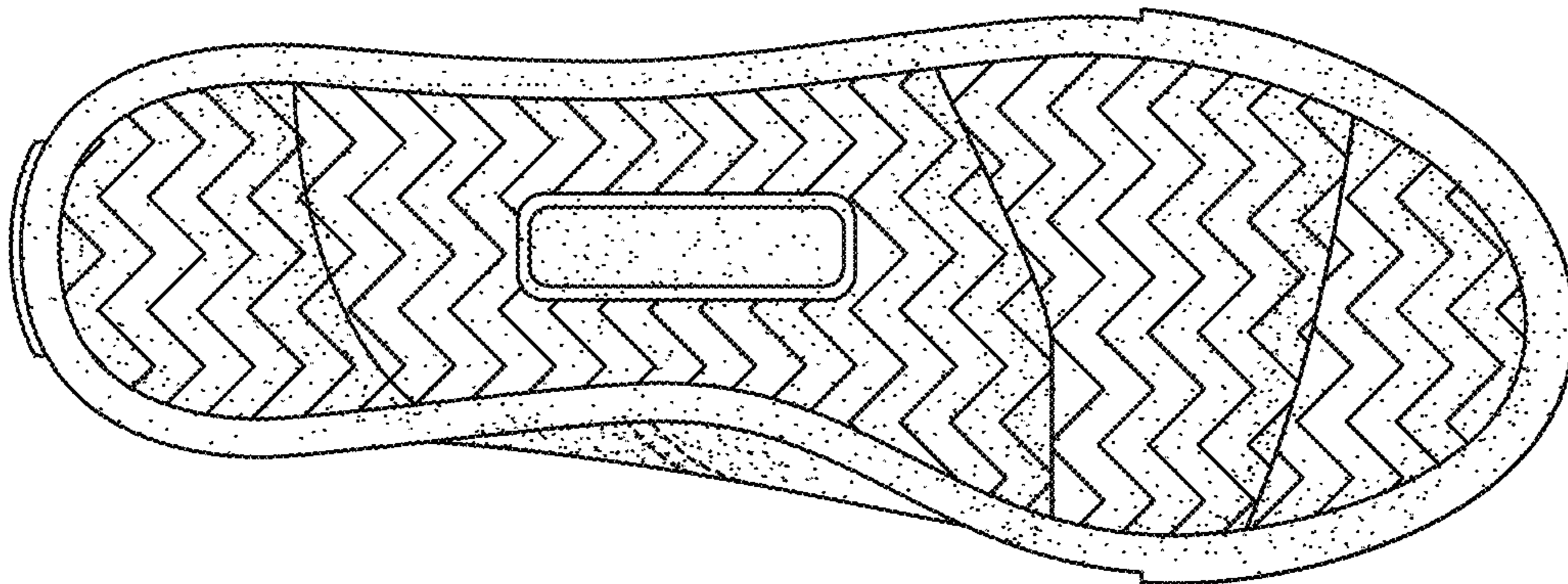


FIG. 16



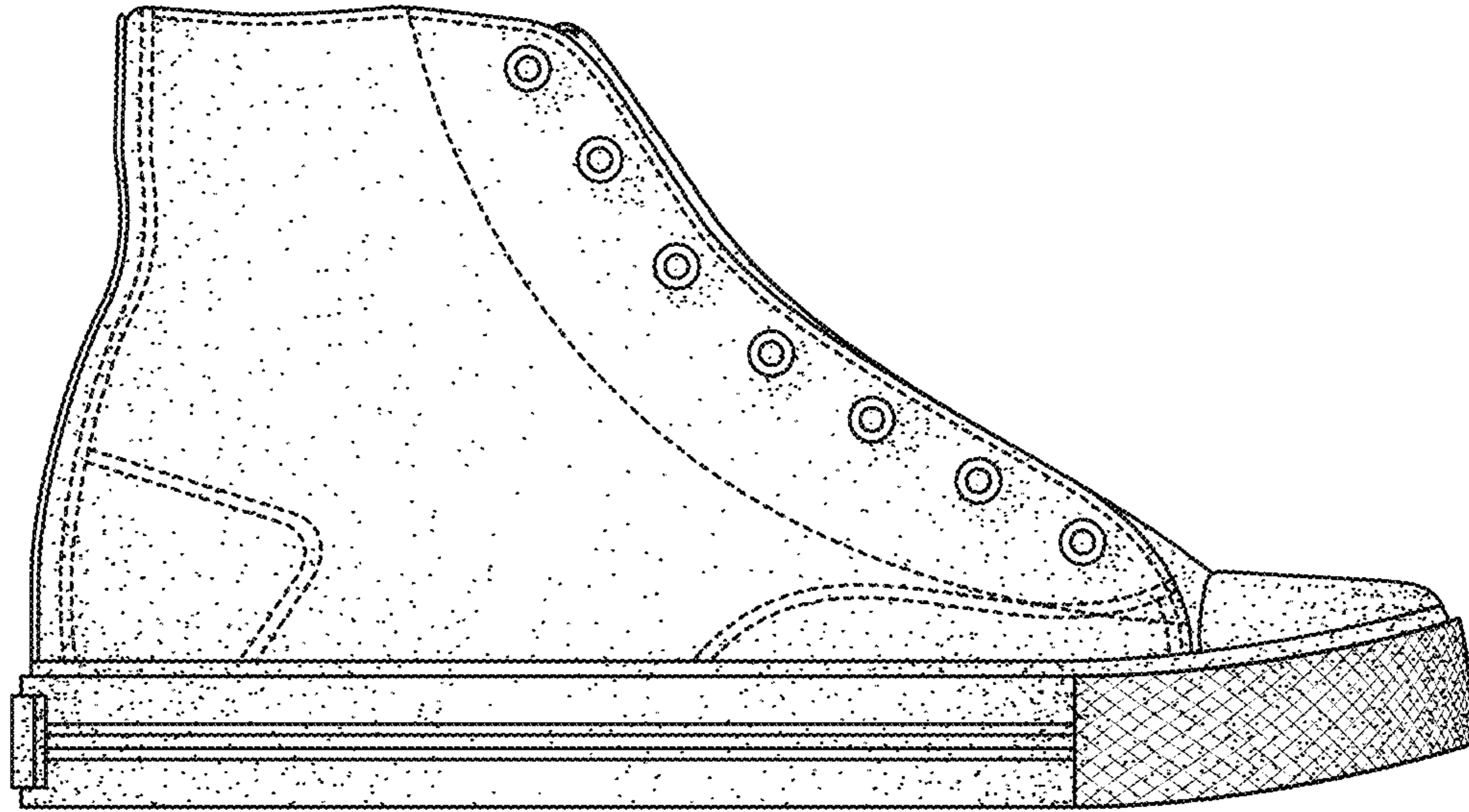


FIG. 17

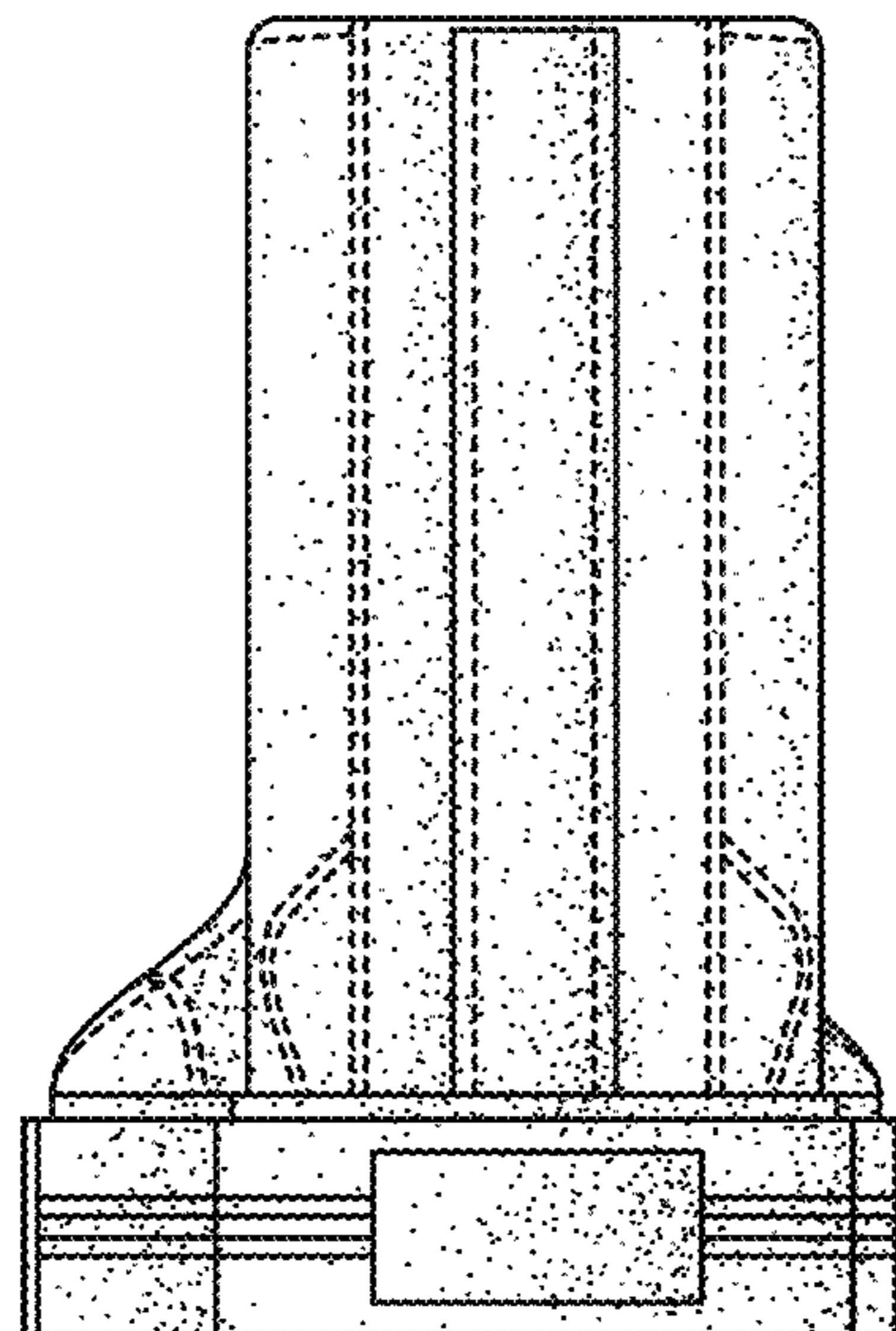


FIG. 18

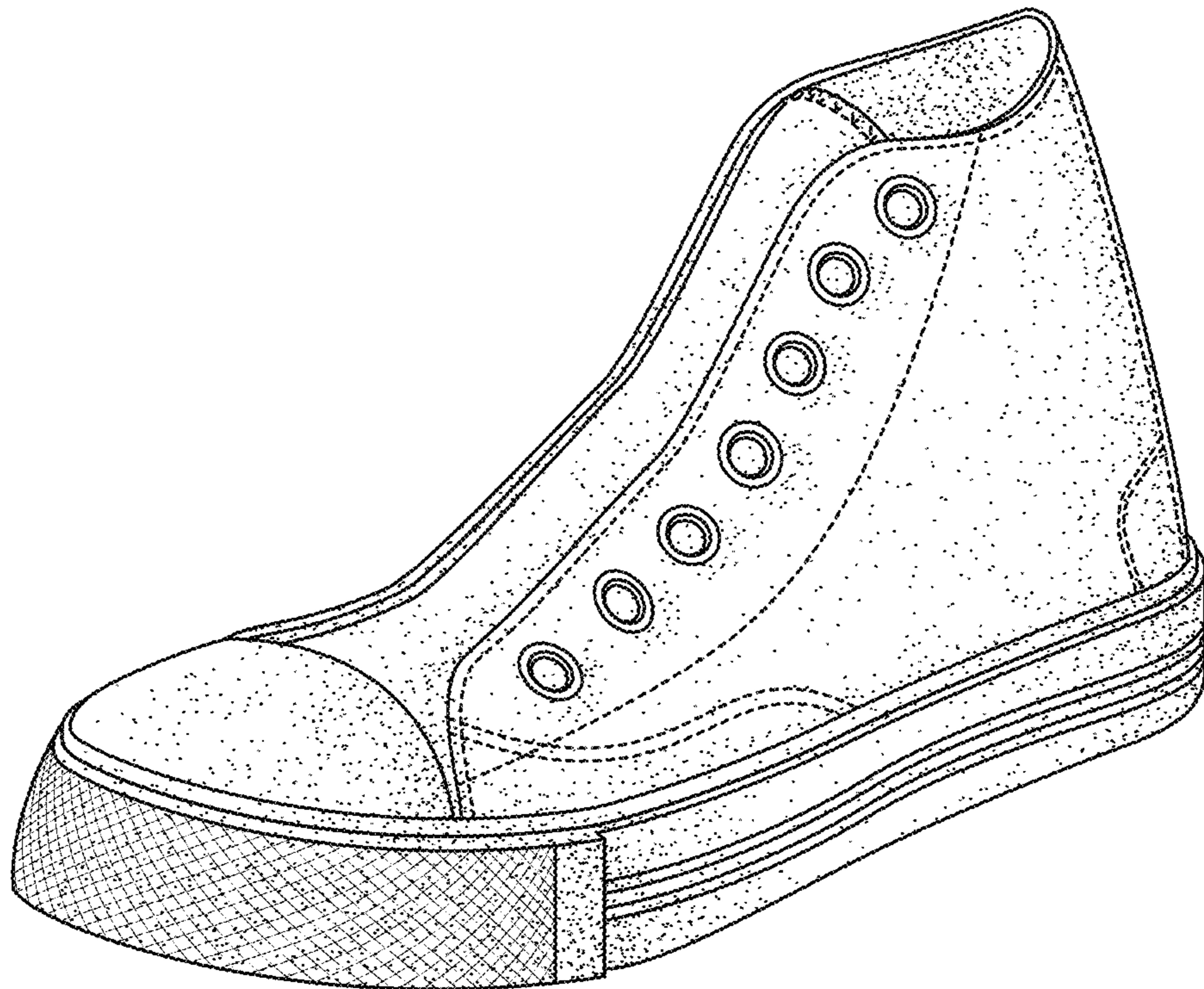


FIG. 19

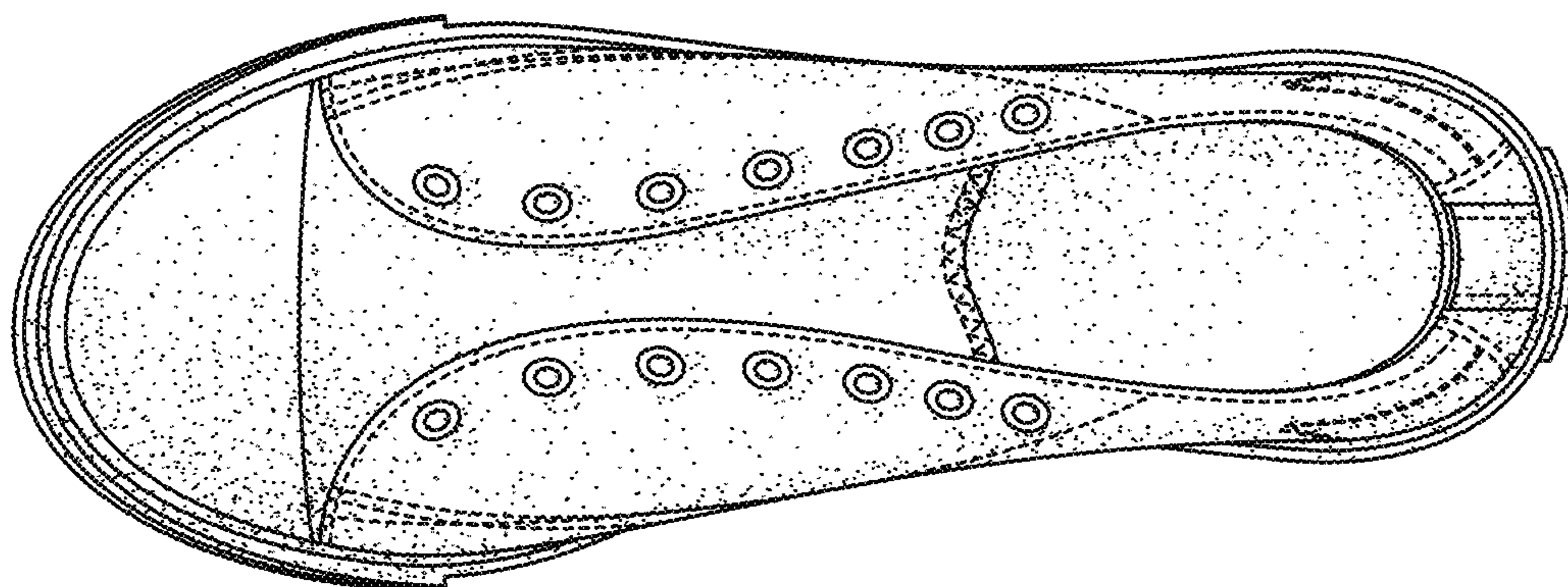


FIG. 20



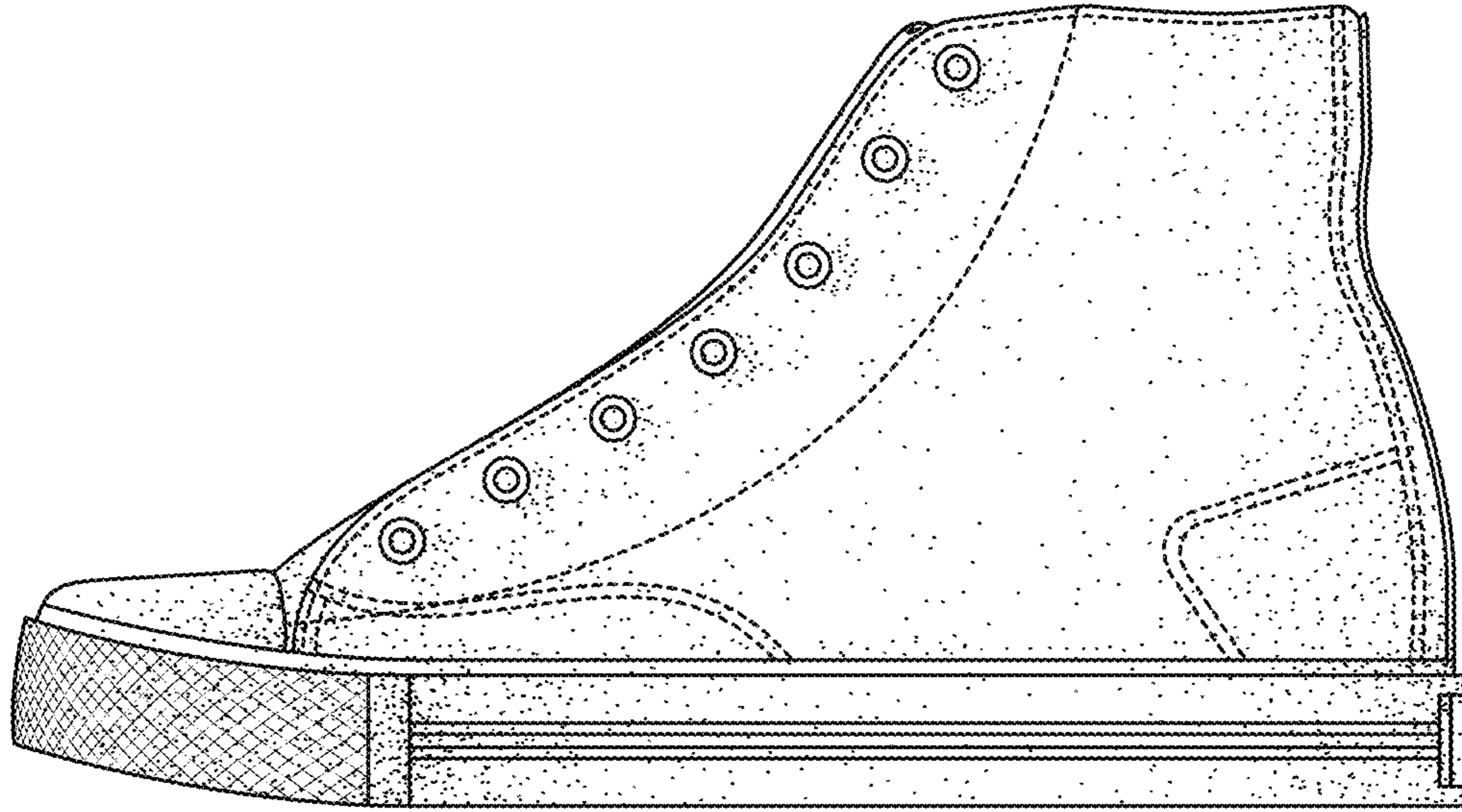


FIG. 21

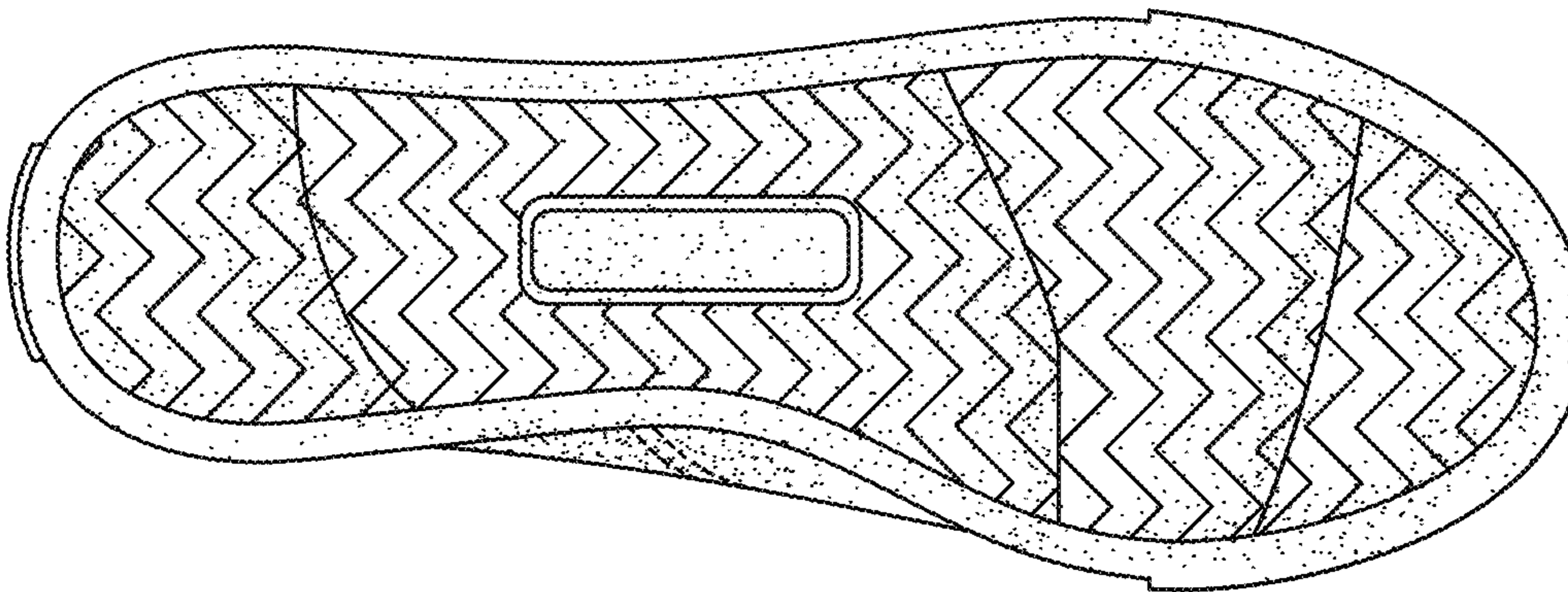


FIG. 22

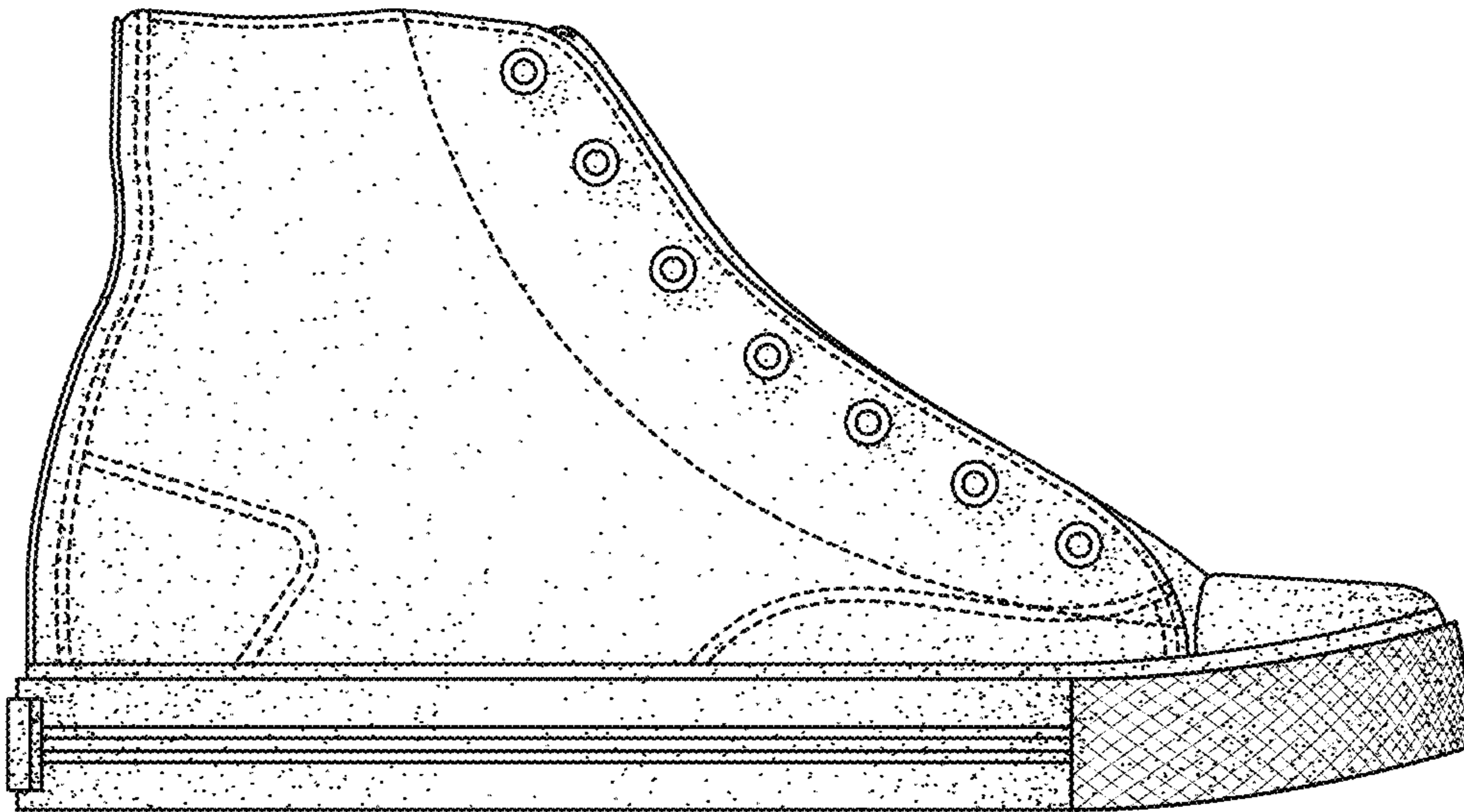


FIG. 23

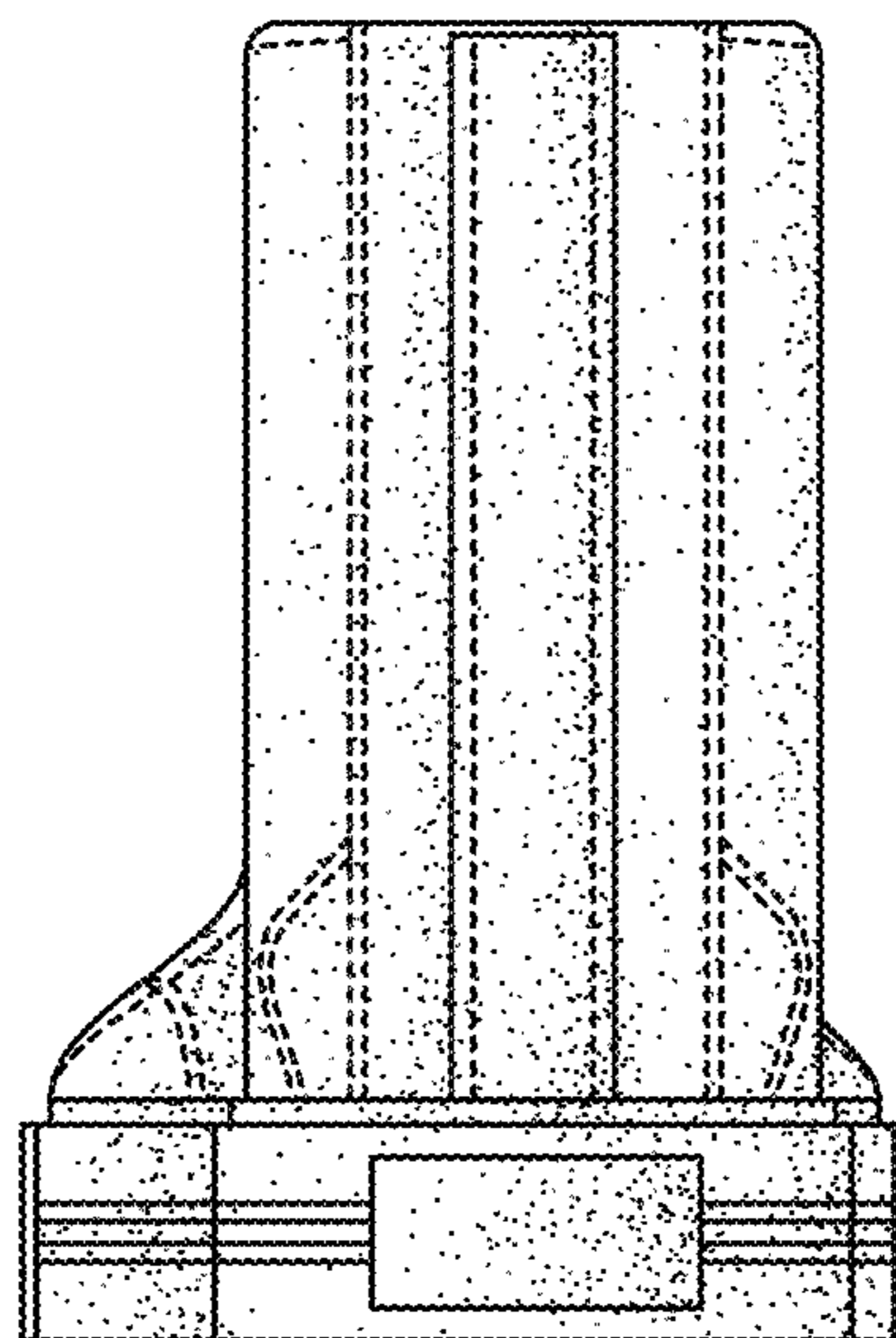


FIG. 24