



US00D792681S

(12) **United States Design Patent**
Geishauser et al.

(10) **Patent No.:** **US D792,681 S**

(45) **Date of Patent:** **** Jul. 25, 2017**

- (54) **POCKET FOR PANTS' LEGS**
- (71) Applicants: **Clair M. Geishauser**, San Antonio, TX (US); **Theresa A. Lyon**, Toledo, IA (US); **Tyrel J. Lyon**, Abilene, TX (US)
- (72) Inventors: **Clair M. Geishauser**, San Antonio, TX (US); **Theresa A. Lyon**, Toledo, IA (US); **Tyrel J. Lyon**, Abilene, TX (US)
- (73) Assignee: **Clair M. Geishauser**, San Antonio, TX (US)

- 5,103,504 A 4/1992 Dordevic
- 5,159,718 A 11/1992 Moyer
- D344,620 S 3/1994 Lavell
- D373,892 S 9/1996 Landwehr
- 5,588,154 A 12/1996 Blauer et al.
- 5,669,078 A 9/1997 Scremin et al.

(Continued)

FOREIGN PATENT DOCUMENTS

- CN 201830957 U 5/2011
- CN 201860803 U 6/2011

(Continued)

(**) **Term:** **14 Years**

(21) **Appl. No.:** **29/485,946**

(22) **Filed:** **Mar. 25, 2014**

(51) **LOC (10) Cl.** **02-02**

(52) **U.S. Cl.**
USPC **D2/840**

(58) **Field of Classification Search**
USPC D2/840, 828, 829, 847, 752, 742, 754, D2/748, 739; 2/228, 236-238, 115-116, 2/227, 108, 247, 249, 250, 251, 252
CPC ... A41D 1/00; A41D 1/02; A41D 1/04; A41D 1/06; A41D 1/08; A41D 7/00; A41D 11/00; A41D 27/00; A41D 27/20; A41D 27/201; A41D 27/202; A41D 27/205
See application file for complete search history.

(56) **References Cited**

U.S. PATENT DOCUMENTS

- 2,448,416 A * 8/1948 Carter A41D 13/0012 2/247
- D254,636 S * 4/1980 Yolis D2/836
- 4,384,369 A 5/1983 Prince
- 4,404,689 A 9/1983 DeWan
- D291,640 S 9/1987 Russo
- D319,922 S * 9/1991 Flake D2/864
- 5,054,127 A 10/1991 Zevchak

OTHER PUBLICATIONS

CN 201830957, Guohua Energy Invest—English.
(Continued)

Primary Examiner — Abraham Bahta

(74) *Attorney, Agent, or Firm* — McKee, Voorhees & Sease, PLC

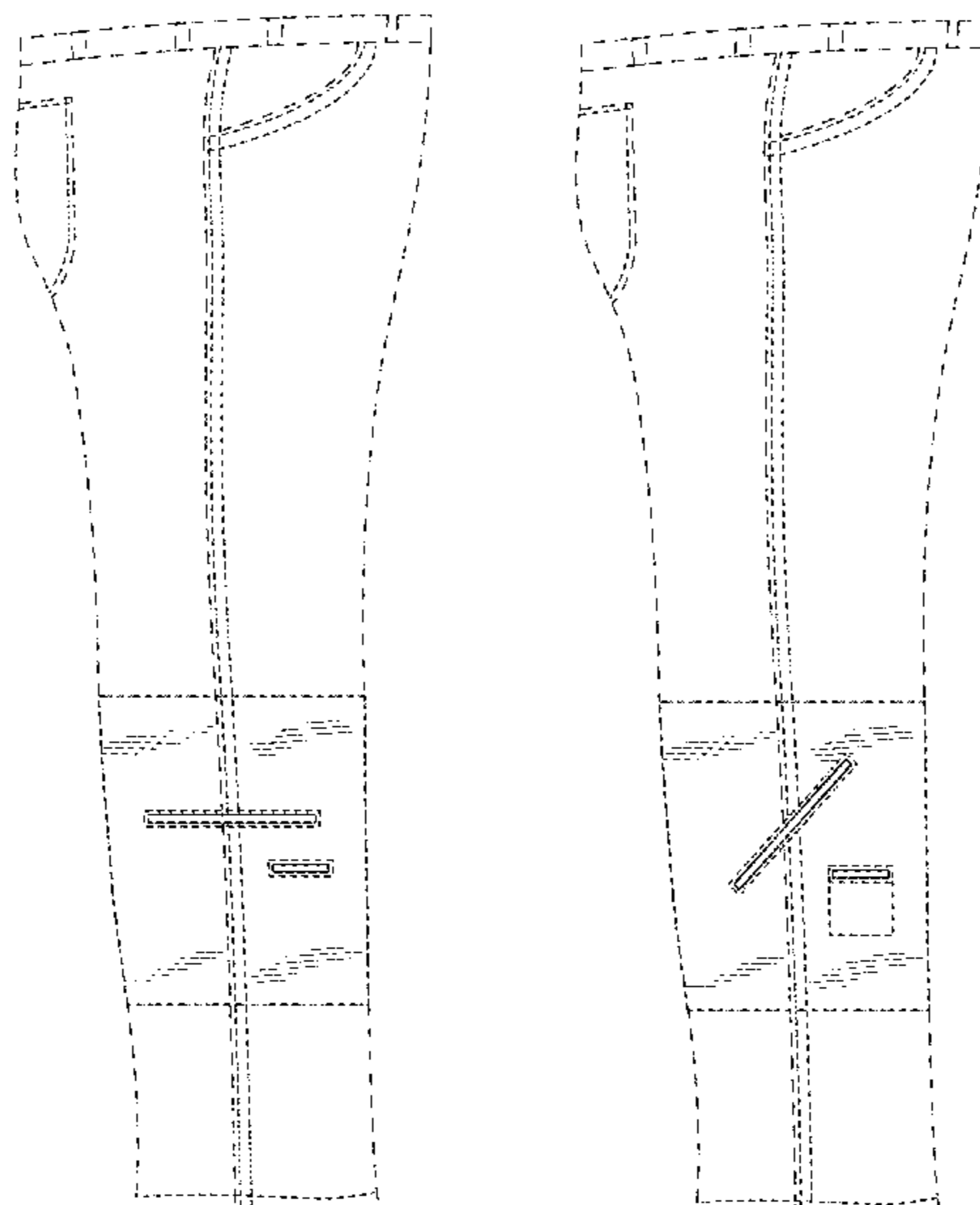
(57) **CLAIM**

The ornamental design for a pocket for pants' legs, substantially as shown and described.

DESCRIPTION

FIG. 1 is a first embodiment of the pocket for pants' legs showing our new design;
FIG. 2 is a second embodiment of the pocket for pants' legs;
FIG. 3 is a third embodiment of the pocket for pants' legs; and,
FIG. 4 is a fourth embodiment of the pocket for pants' legs. The dot-dash broken line immediately adjacent the shaded areas represent the bounds of the claimed design, while all other broken lines are included for the purpose of illustrating the unclaimed portion of the pants and such broken lines forming no part of the claimed design.

1 Claim, 2 Drawing Sheets



(56)

References Cited

U.S. PATENT DOCUMENTS

5,826,273 A 10/1998 Eckes
 D414,593 S * 10/1999 Knapp D2/866
 6,014,771 A 1/2000 Kirven
 D438,692 S * 3/2001 Digby D2/779
 6,338,164 B1 1/2002 Howard
 D493,946 S 8/2004 Jones et al.
 6,769,139 B1 8/2004 Goldkind
 7,058,987 B2 6/2006 Salazar
 D526,764 S * 8/2006 Toomey D2/840
 7,089,596 B2 8/2006 Leflet et al.
 7,376,979 B2 5/2008 Nilsen
 D572,878 S 7/2008 Conley
 7,392,549 B1 * 7/2008 Barber A41D 13/0012
 2/269
 D580,629 S 11/2008 Adams et al.
 7,681,255 B2 3/2010 Morales et al.
 D624,281 S * 9/2010 Richardson, Jr. D2/742
 7,823,220 B2 * 11/2010 Mazzarolo A41D 3/00
 2/108
 D636,556 S * 4/2011 Godfrey D2/600
 D640,041 S 6/2011 Flora et al.
 D641,959 S 7/2011 Abrams et al.
 8,032,951 B1 10/2011 Nestberg et al.
 D656,712 S 4/2012 Jones
 D665,559 S 8/2012 Ridge
 D686,390 S 7/2013 Downs et al.

8,484,763 B1 * 7/2013 Lucas A41C 3/0057
 2/247
 2002/0010058 A1 1/2002 Myrick
 2005/0017034 A1 1/2005 Ausanio
 2009/0249529 A1 * 10/2009 Rodriguez A41D 3/00
 2/97
 2012/0117713 A1 5/2012 Hoffner
 2012/0185999 A1 7/2012 Raviv
 2012/0186000 A1 7/2012 Raviv
 2014/0026293 A1 1/2014 Quistian, Jr.

FOREIGN PATENT DOCUMENTS

DE 201 15 855 U1 1/2002
 EP 0 836 393 B1 4/1998
 JP 2005-120505 A 5/2005
 RU 2 258 547 C1 8/2005
 RU 99 932 U1 12/2010
 WO WO 96/39883 A1 12/1996

OTHER PUBLICATIONS

CN 201860803, Aerospace Life Support Industries—English.
 DE 201 15 855, Becker Siegmur—English.
 JP 2005-120505, Asano Kiyoshi—English.
 RU 2 258 547, Otkrytoe OB Edinenie Vympel—English.
 RU 99 932, CMNPHOBA—English.

* cited by examiner

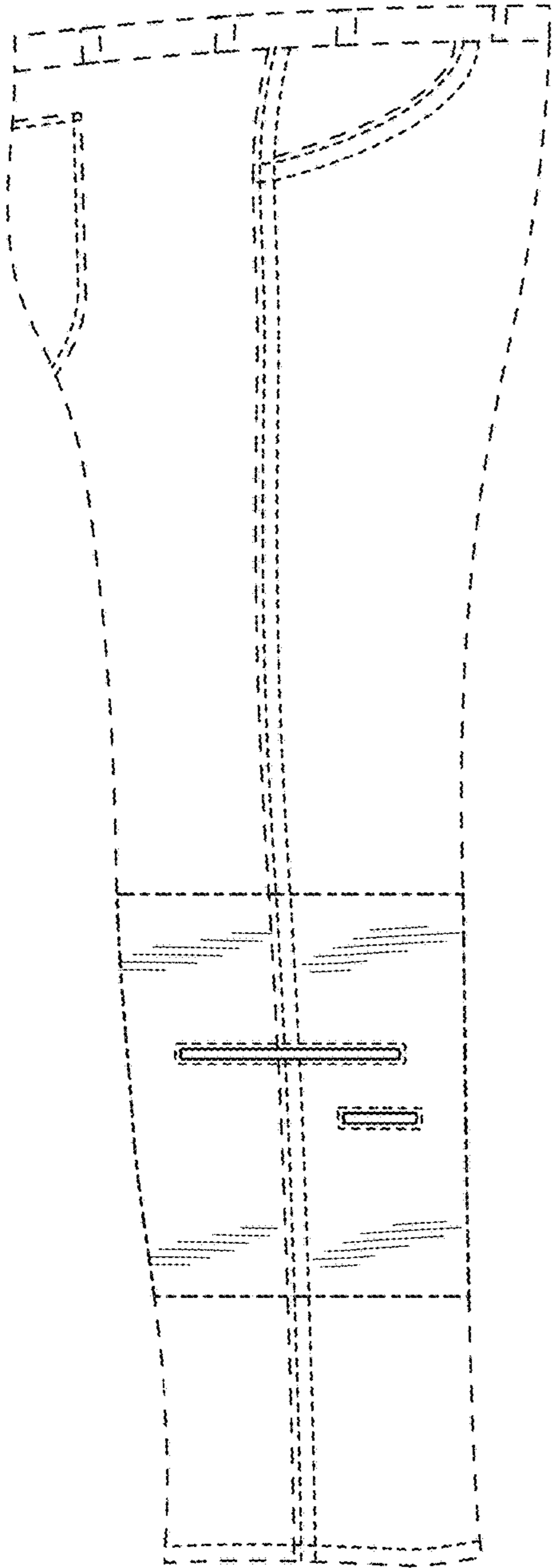


FIG. 1

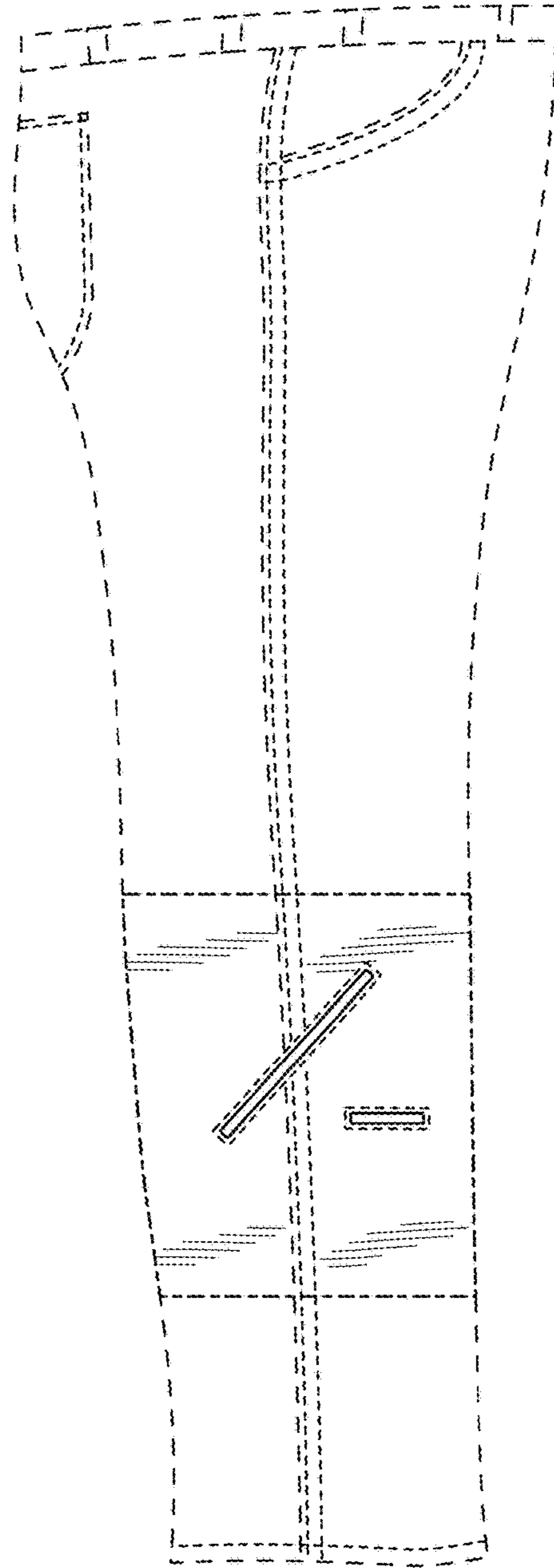


FIG. 2

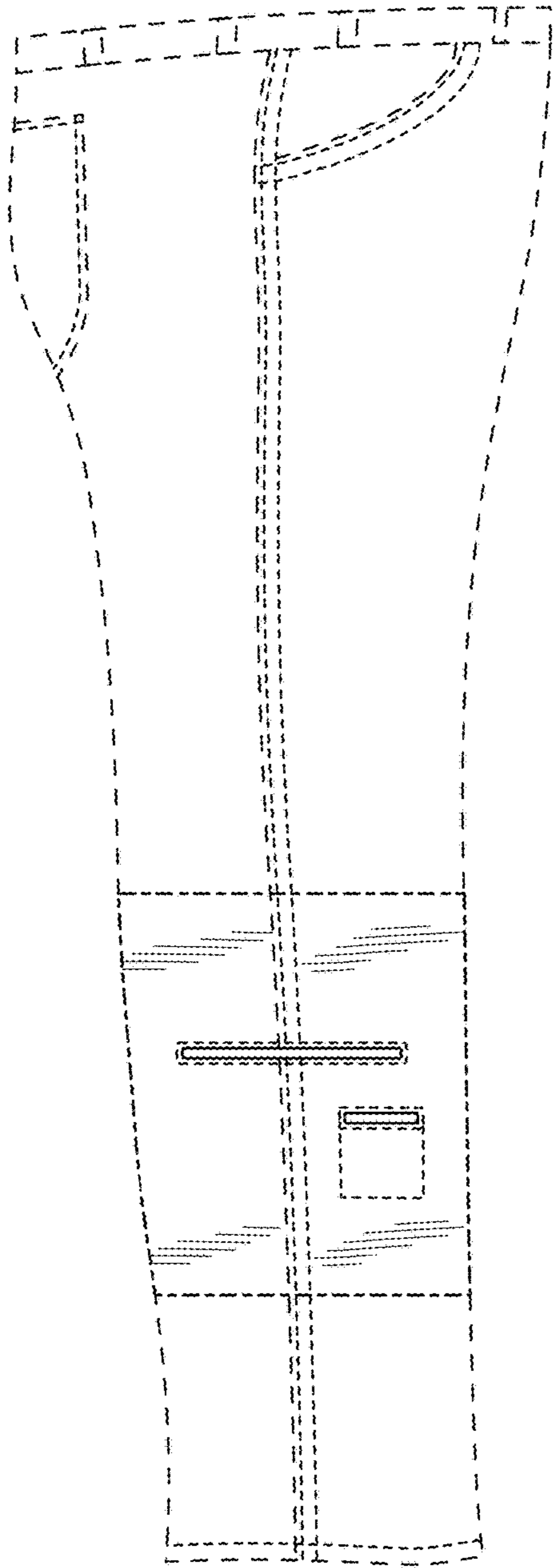


FIG. 3

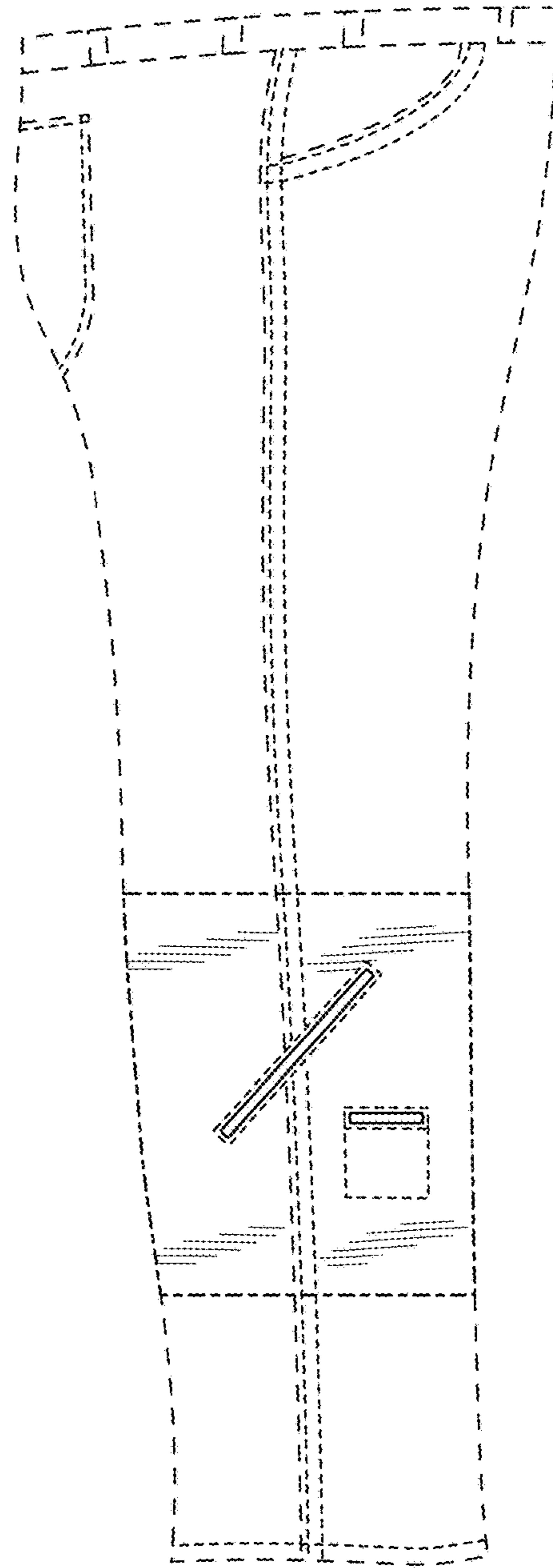


FIG. 4