



US00D792673S

(12) **United States Design Patent**  
**Lloyd et al.**

(10) **Patent No.:** **US D792,673 S**  
(45) **Date of Patent:** **\*\* Jul. 18, 2017**

(54) **STACKABLE TRASH RECEPTACLE**

(71) Applicant: **JOSEPH JOSEPH LTD**, London (GB)

(72) Inventors: **Tom Lloyd**, London (GB); **Luke Pearson**, London (GB)

(73) Assignee: **Joseph Joseph Ltd.**, London (GB)

(\*\*) Term: **15 Years**

(21) Appl. No.: **29/554,919**

(22) Filed: **Feb. 17, 2016**

(30) **Foreign Application Priority Data**

Aug. 17, 2015 (EM) ..... 002756155-0001

(51) **LOC (10) Cl.** ..... **09-09**

(52) **U.S. Cl.**  
USPC ..... **D34/7**

(58) **Field of Classification Search**

USPC ..... D34/1-11; 220/908-911  
CPC .... B65F 1/062; B65F 1/02; B65F 1/16; B65F  
1/002; B65F 1/04; B65F 1/0013

See application file for complete search history.

(56) **References Cited**

**U.S. PATENT DOCUMENTS**

D358,325 S \* 5/1995 McNaughton ..... D34/6  
D360,062 S \* 7/1995 Mosior ..... D24/131  
D362,502 S \* 9/1995 Anderson ..... D24/131  
D384,461 S \* 9/1997 Kouvdos ..... D3/304  
D398,726 S \* 9/1998 Presnell ..... D34/10  
D401,028 S \* 11/1998 Ahern, Jr. .... D34/9  
D545,374 S \* 6/2007 Gollob ..... D20/6

D601,771 S \* 10/2009 Lim ..... D34/11  
2007/0102429 A1 \* 5/2007 Shih ..... B65F 1/02  
220/4.03  
2015/0075393 A1 \* 3/2015 Ho ..... B65F 1/1405  
100/245

\* cited by examiner

*Primary Examiner* — Cynthia Ramirez

(74) *Attorney, Agent, or Firm* — Millen White Zelano & Branigan, P.C.

(57) **CLAIM**

The ornamental design for a stackable trash receptacle, as shown and described.

**DESCRIPTION**

FIG. 1 is a top perspective view of the stackable trash receptacle showing my new design.

FIG. 2 is a bottom perspective view thereof.

FIG. 3 is a front view thereof.

FIG. 4 is a back view thereof.

FIG. 5 is a side view thereof.

FIG. 6 is another side view thereof.

FIG. 7 is a top view thereof.

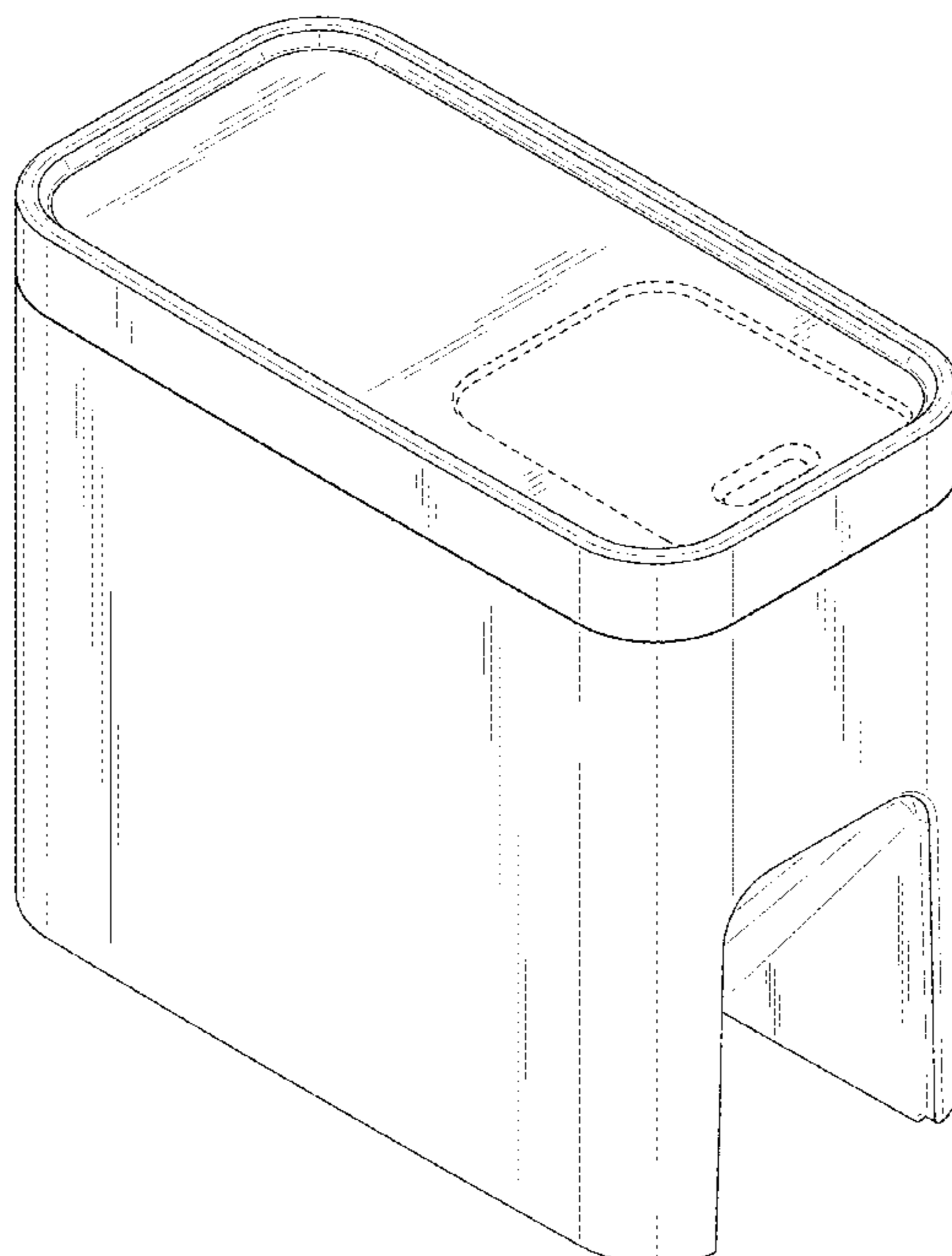
FIG. 8 is a bottom view thereof.

FIG. 9 is a top perspective exploded view thereof.

FIG. 10 is a bottom perspective exploded view thereof; and, FIG. 11 is a top perspective view of in an environment of use.

The broken lines in the drawings illustrate portions of the stackable trash receptacle which form no part of the claimed design. The receptacle shown in broken lines in FIG. 11 illustrates environment and forms no part of the claimed design.

**1 Claim, 11 Drawing Sheets**



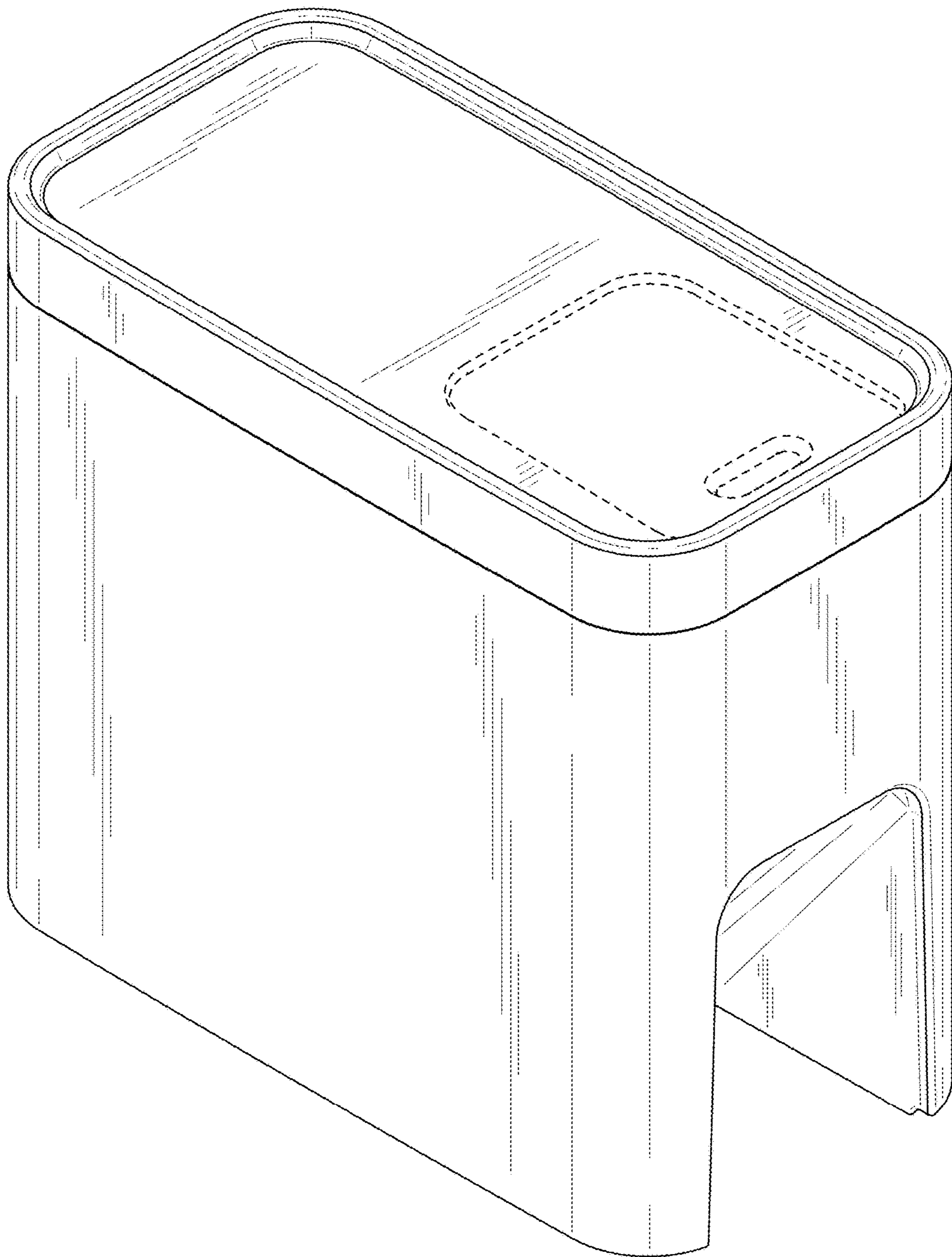


FIG. 1

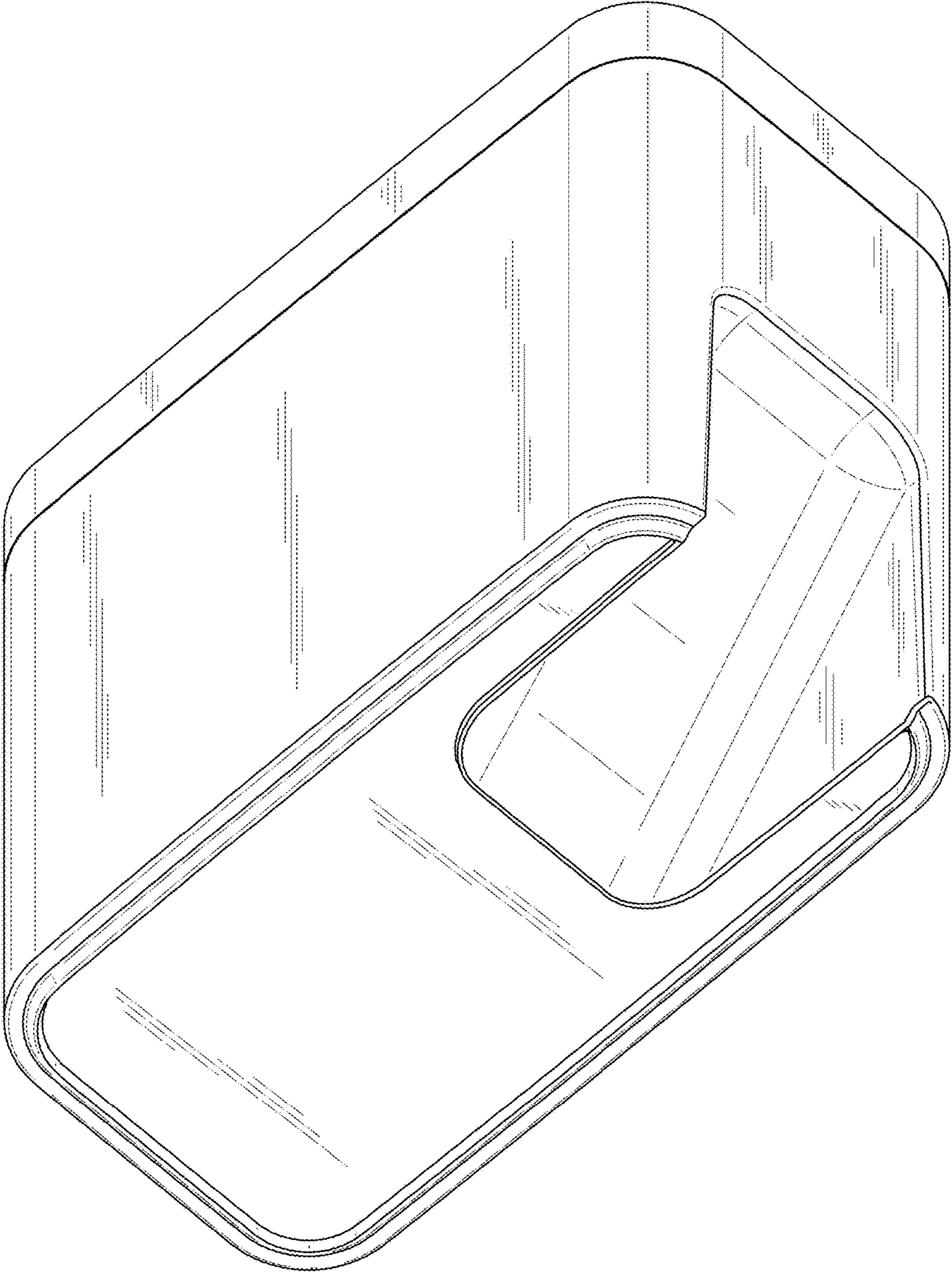


FIG. 2

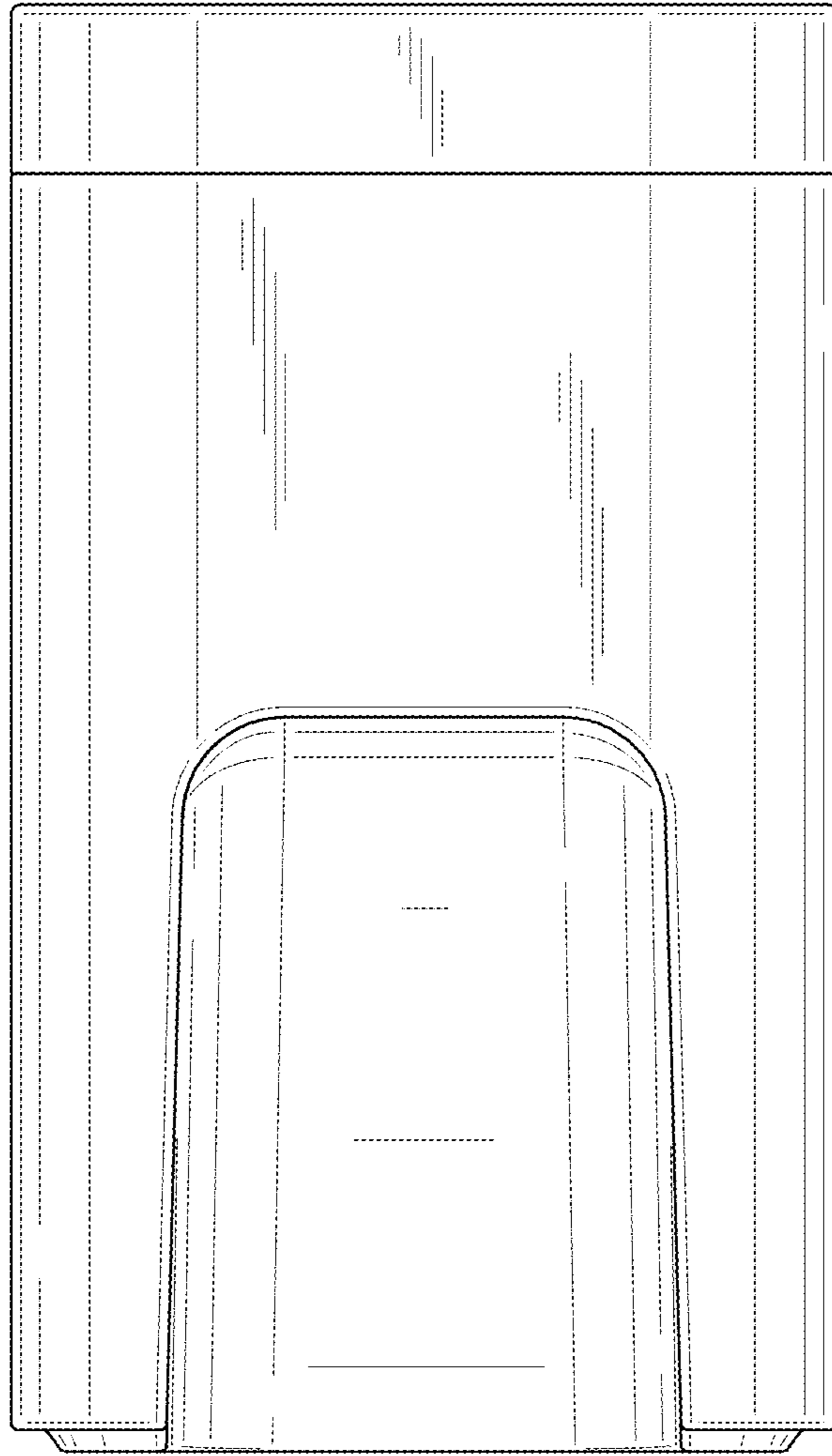


FIG. 3

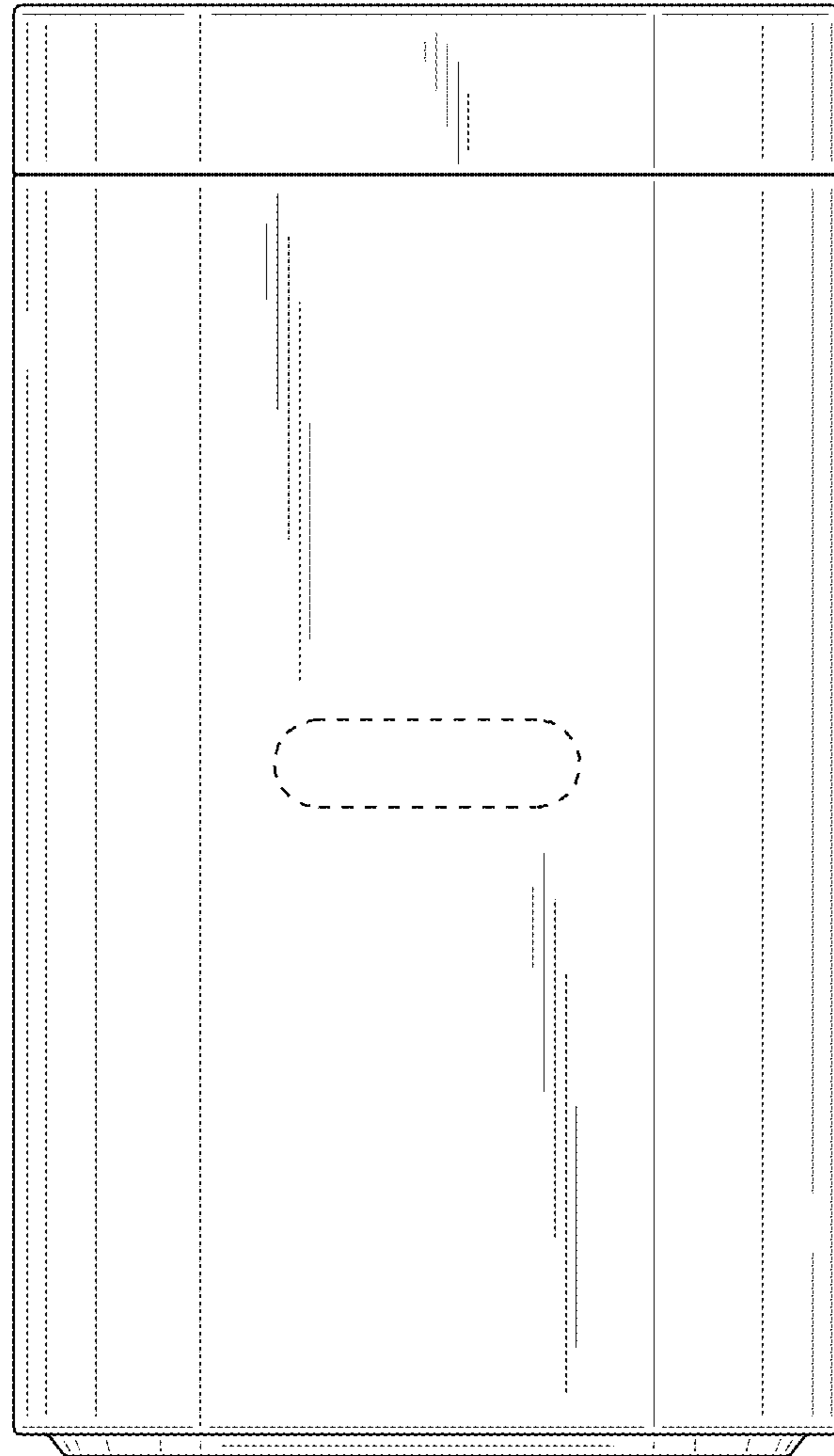


FIG. 4

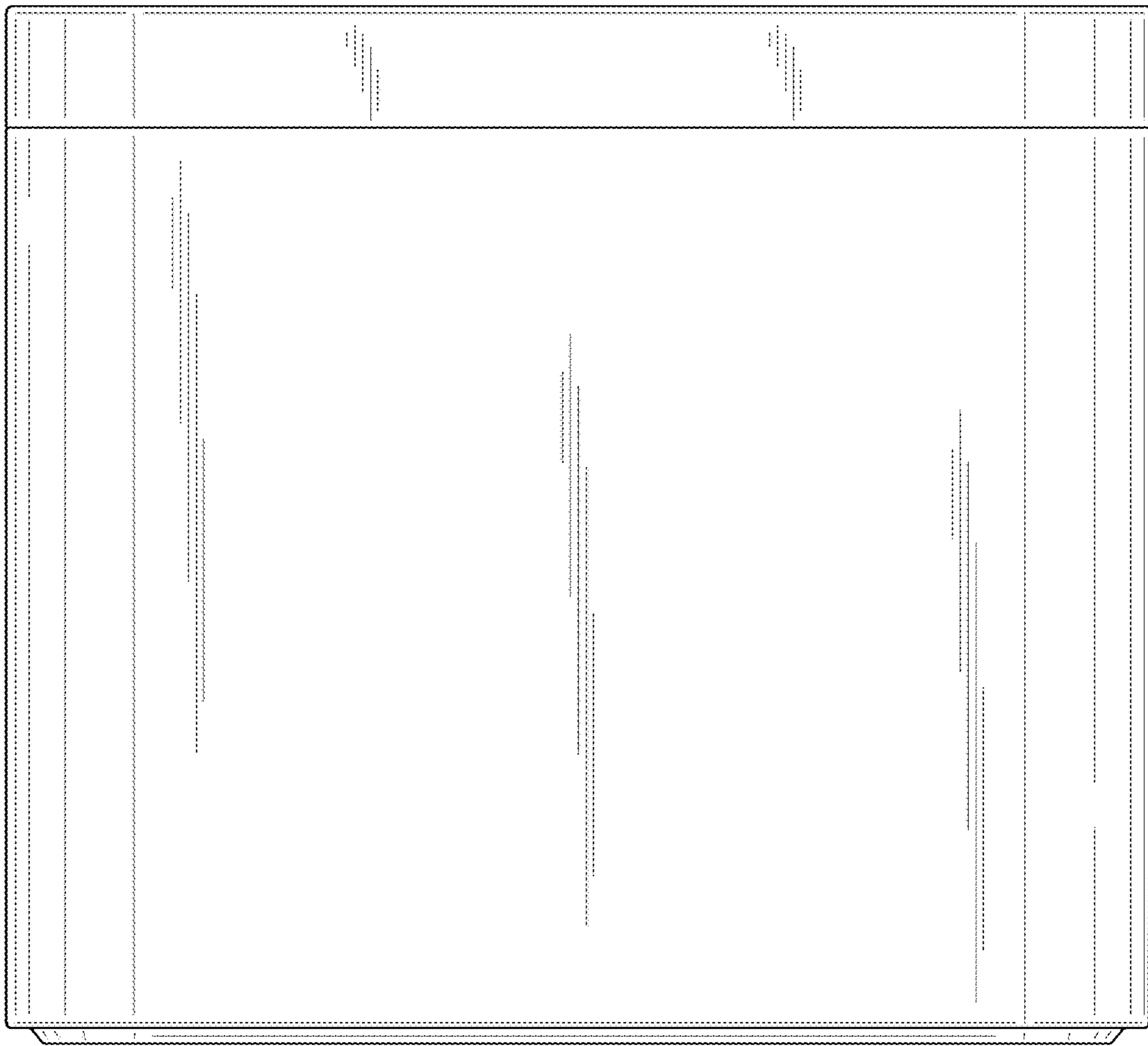


FIG. 5

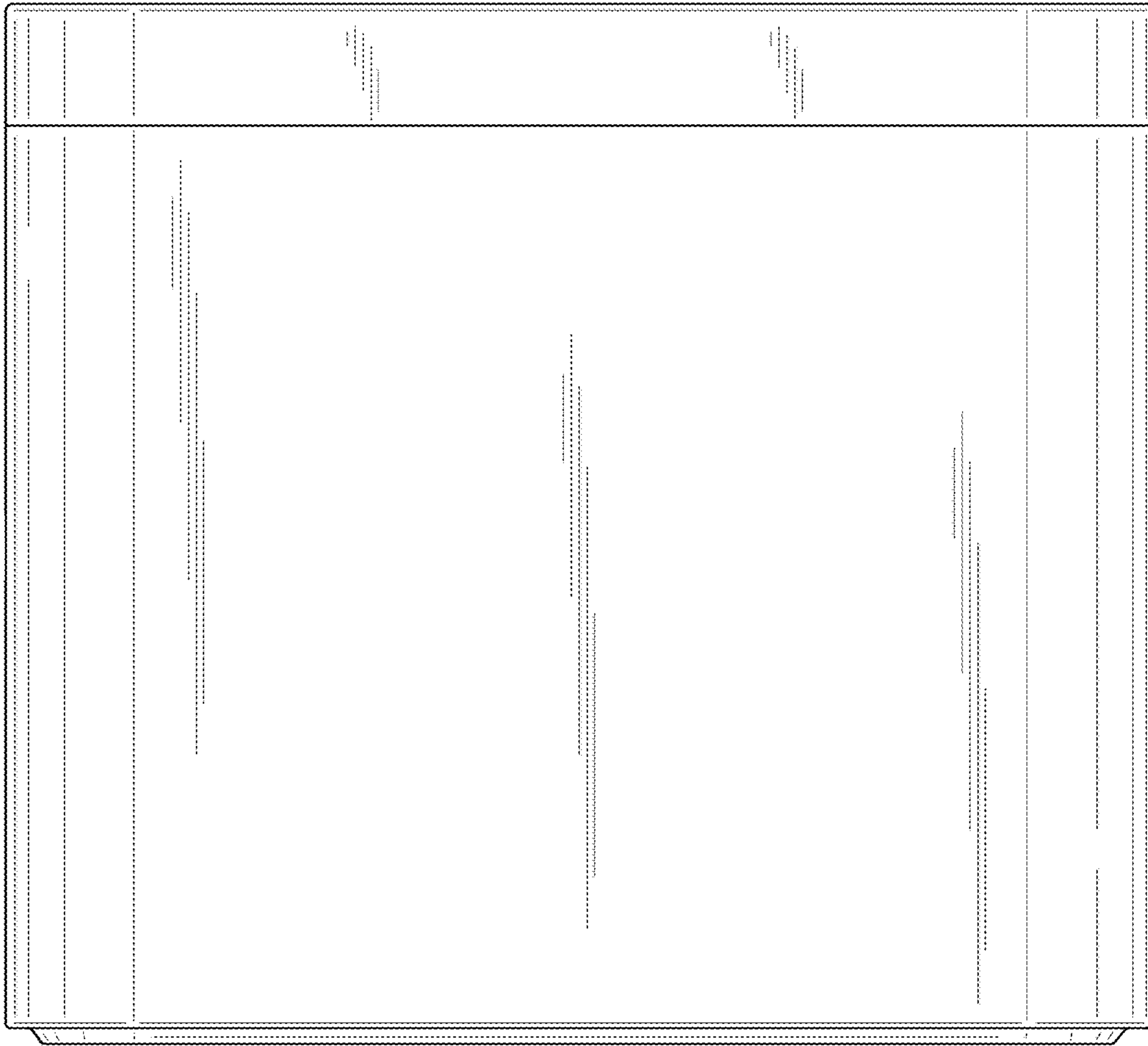


FIG. 6

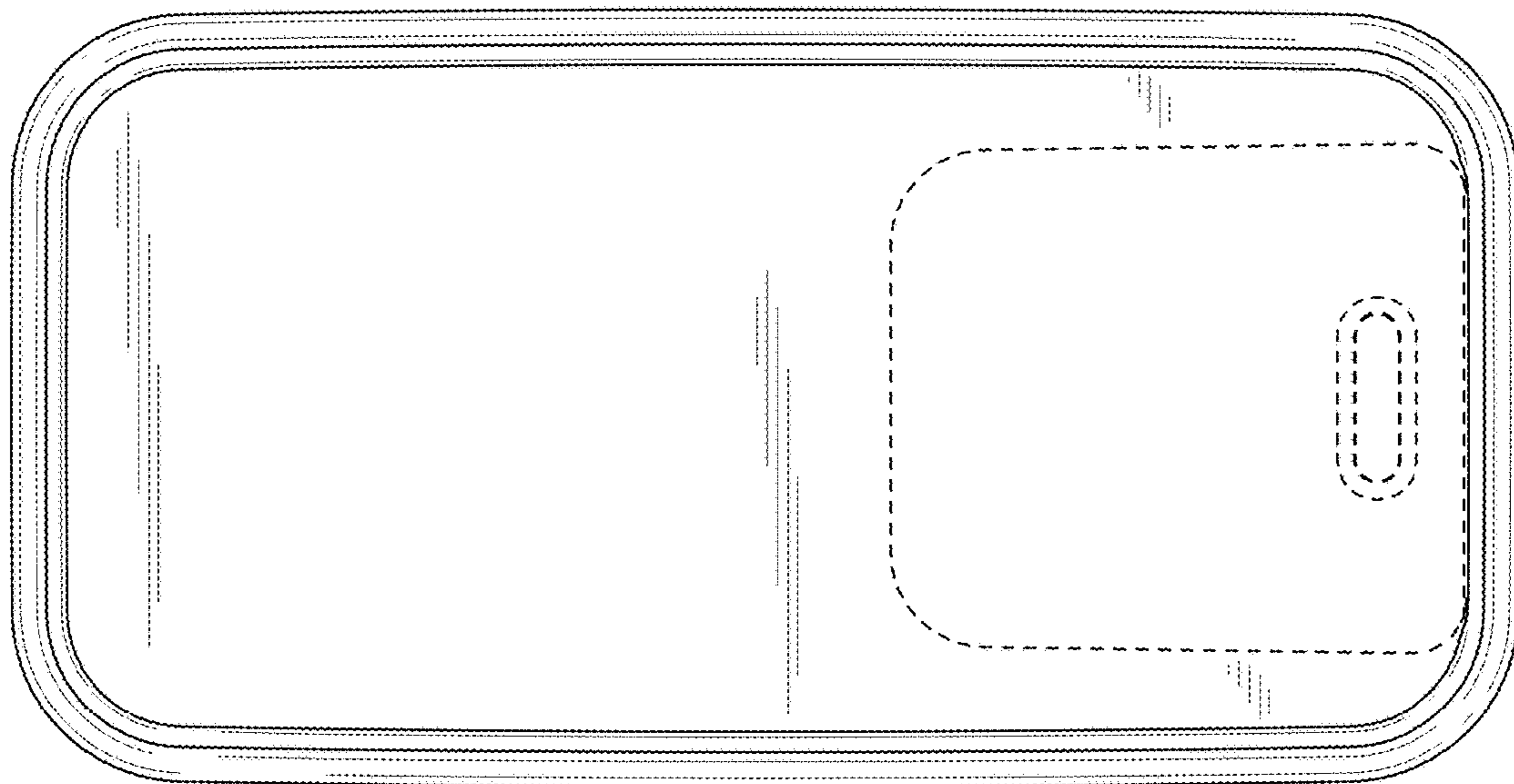


FIG. 7



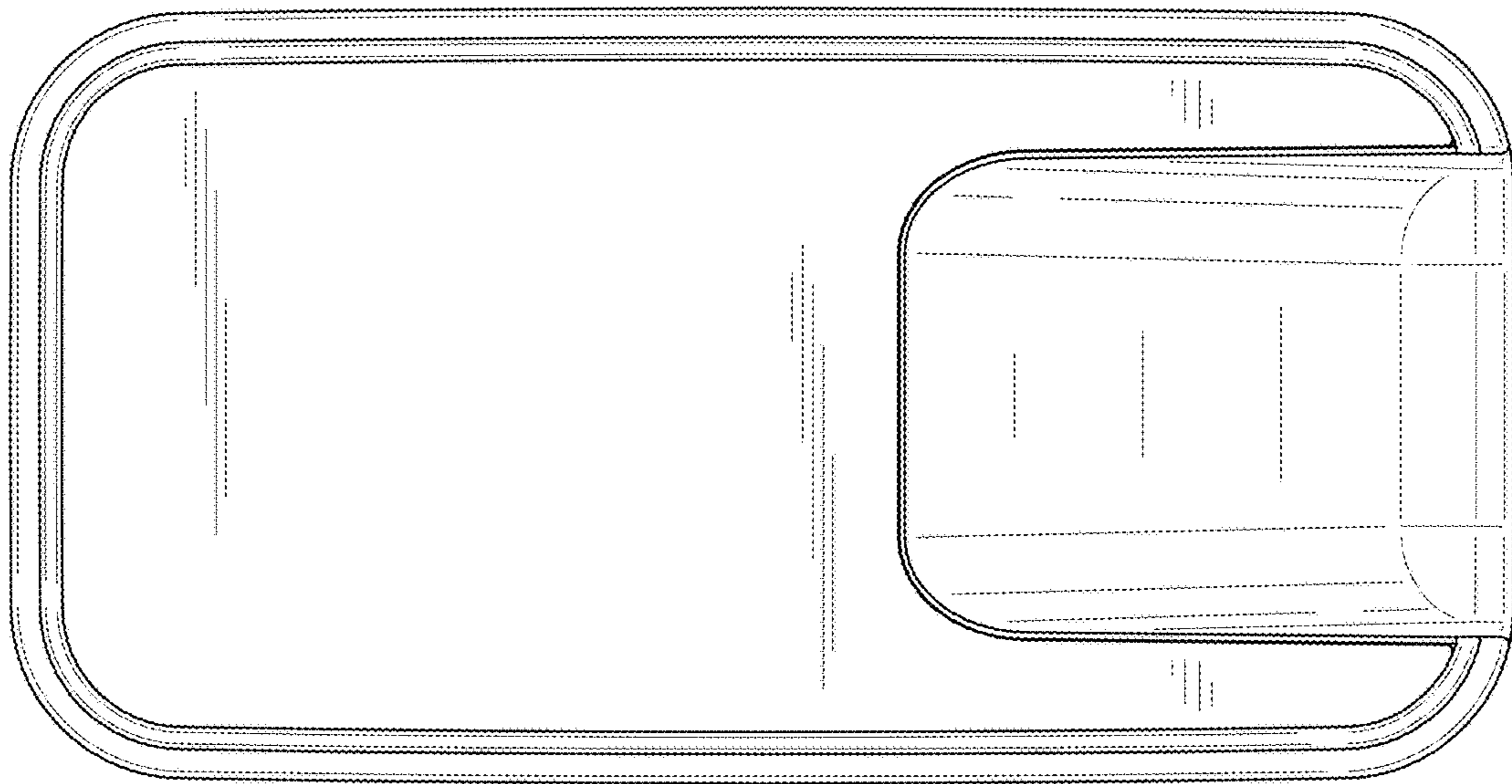


FIG. 8

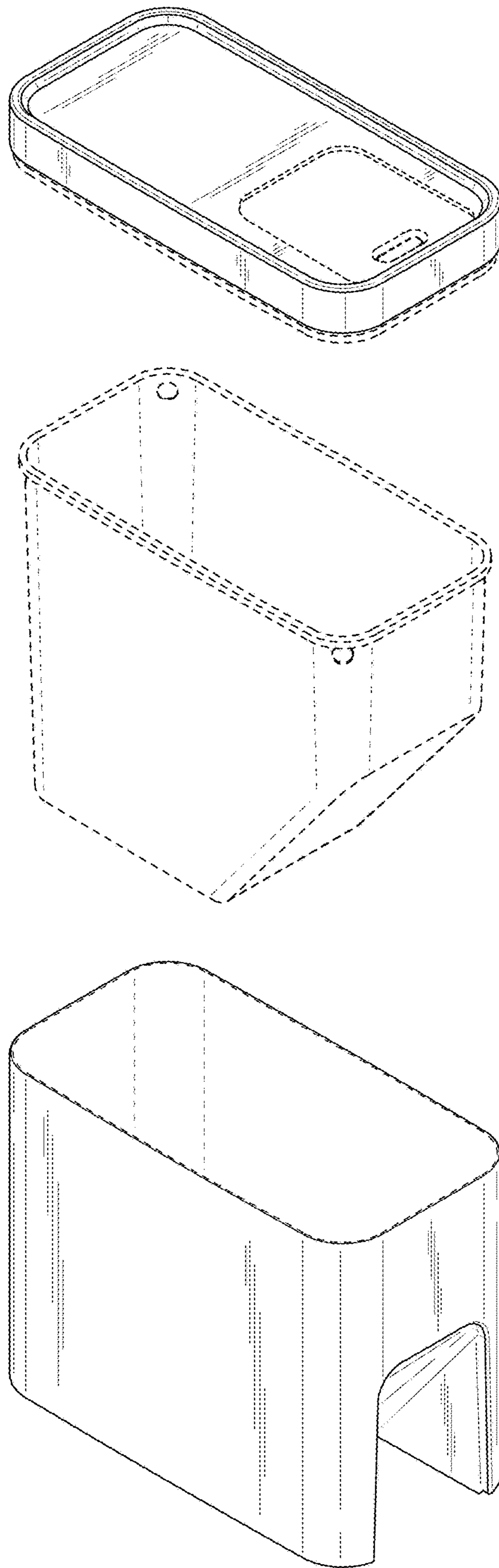


FIG. 9

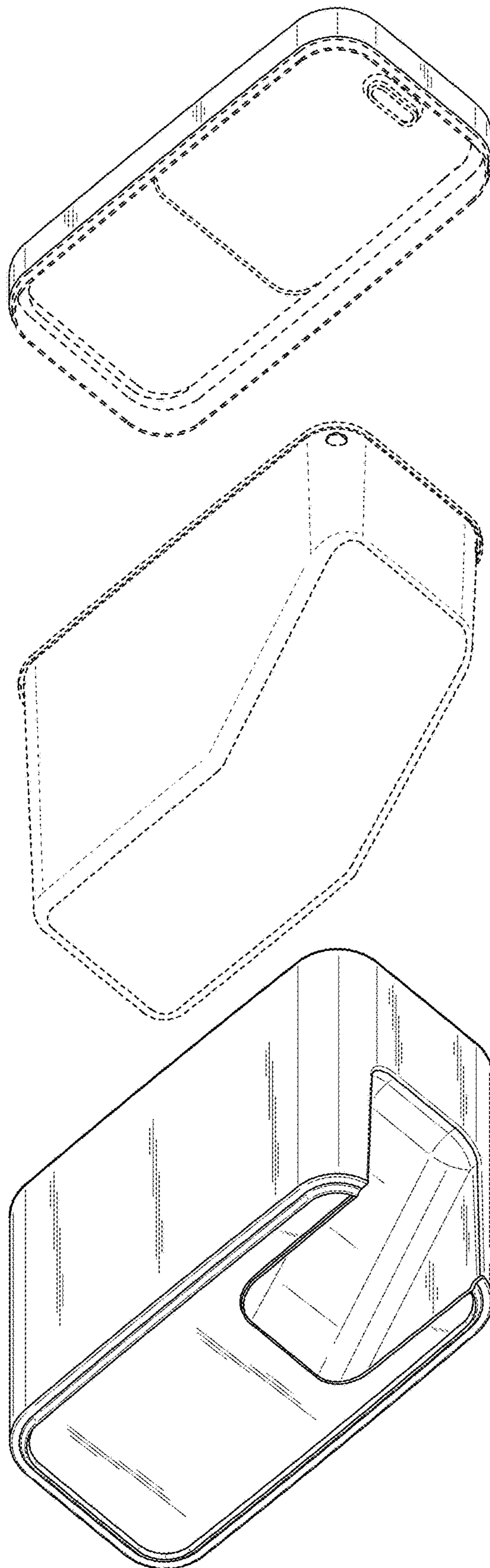


FIG. 10

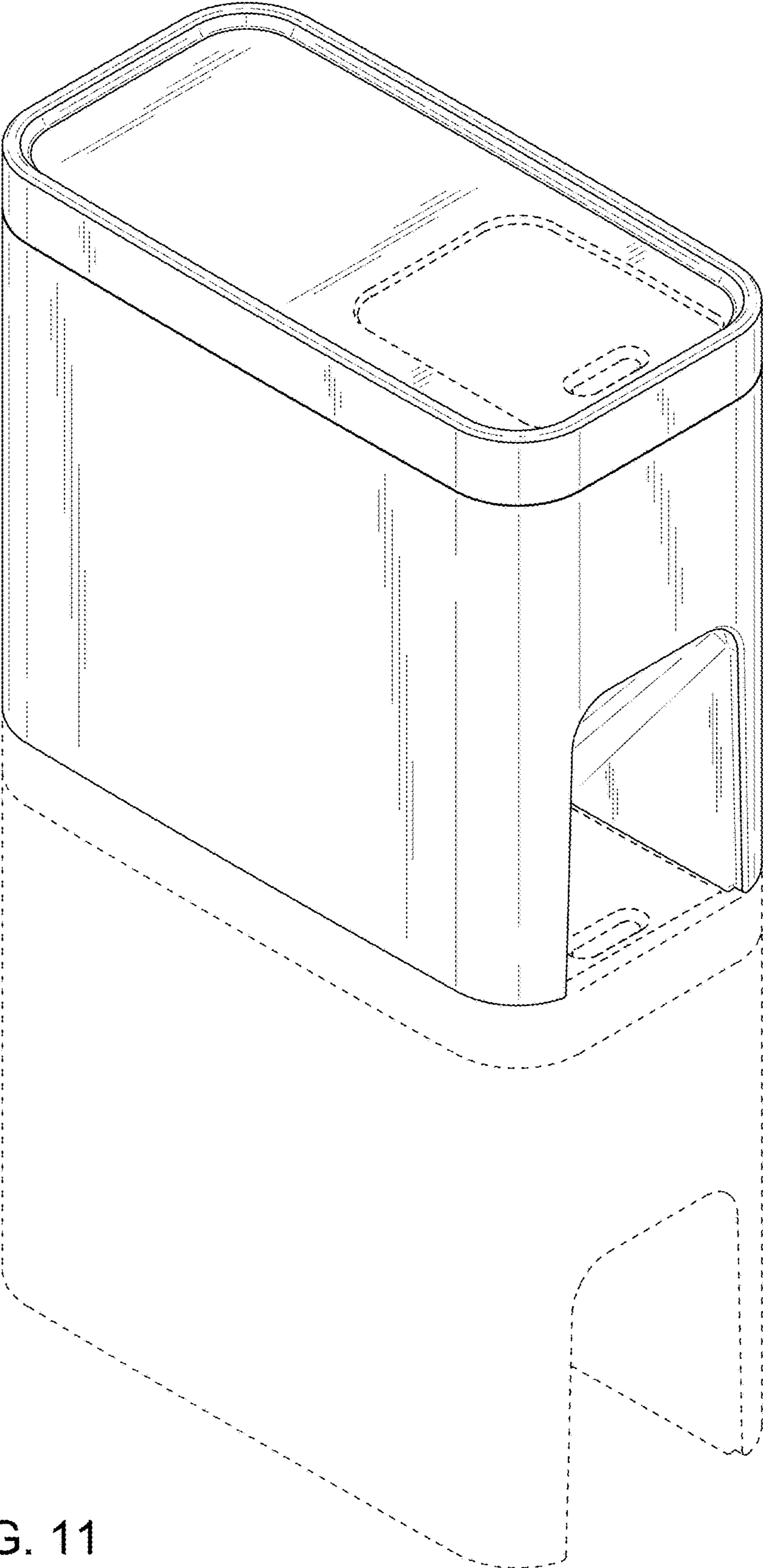


FIG. 11