



US00D792671S

(12) **United States Design Patent** (10) **Patent No.:** **US D792,671 S**  
**Lambert et al.** (45) **Date of Patent:** **\*\* Jul. 18, 2017**

(54) **PART OF A VACUUM CLEANER**

(71) Applicant: **Dyson Technology Limited**, Wiltshire (GB)

(72) Inventors: **Adam David Lambert**, Swindon (GB);  
**Paul Andrew McLuckie**, Bath (GB)

(73) Assignee: **Dyson Technology Limited**,  
Malmesbury, Wiltshire (GB)

(\*\*) Term: **15 Years**

(21) Appl. No.: **29/576,501**

(22) Filed: **Sep. 2, 2016**

(30) **Foreign Application Priority Data**

Mar. 4, 2016 (EM) ..... 003013697-0002

(51) **LOC (10) Cl.** ..... **15-05**

(52) **U.S. Cl.**  
USPC ..... **D32/31**

(58) **Field of Classification Search**  
USPC ..... D8/396; D32/31-33  
CPC ..... F16M 13/02; A24F 19/092; F16L 27/12;  
A47L 9/242; A47L 9/02; A47L 5/362;  
A47L 5/28; A47L 5/34; A47L 5/30; A47G  
25/66; E04H 4/1654  
See application file for complete search history.

(56) **References Cited**

U.S. PATENT DOCUMENTS

|              |        |          |       |        |
|--------------|--------|----------|-------|--------|
| D306,506 S * | 3/1990 | Houser   | ..... | D32/33 |
| D518,259 S * | 3/2006 | Wertz    | ..... | D32/33 |
| D622,919 S * | 8/2010 | Wertz    | ..... | D32/32 |
| D635,315 S * | 3/2011 | Wertz    | ..... | D32/32 |
| D713,110 S * | 9/2014 | Erlich   | ..... | D32/33 |
| D760,973 S * | 7/2016 | Ventress | ..... | D32/32 |

\* cited by examiner

*Primary Examiner* — Ruth McInroy  
(74) *Attorney, Agent, or Firm* — Morrison & Foerster LLP

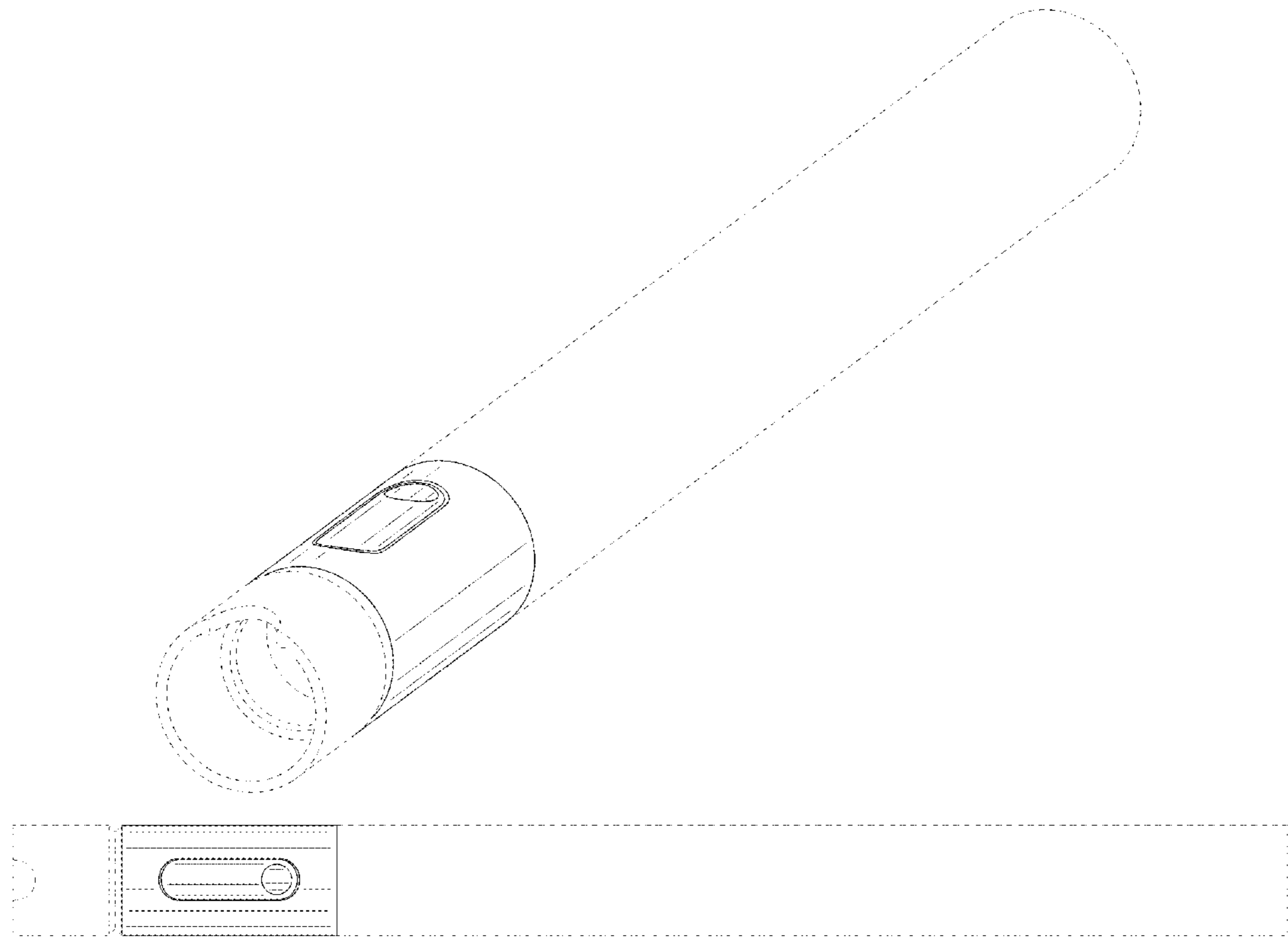
(57) **CLAIM**

We claim the ornamental design for a part of a vacuum cleaner, as shown and described.

**DESCRIPTION**

FIG. 1 is a perspective view of a part of a vacuum cleaner showing our new design;  
FIG. 2 is a side view thereof;  
FIG. 3 is a side view of opposite side of FIG. 2;  
FIG. 4 is a top view thereof;  
FIG. 5 is a bottom view thereof;  
FIG. 6 is a front view thereof; and,  
FIG. 7 is a rear view thereof.  
The details shown in broken lines form no part of the claimed design.

**1 Claim, 7 Drawing Sheets**



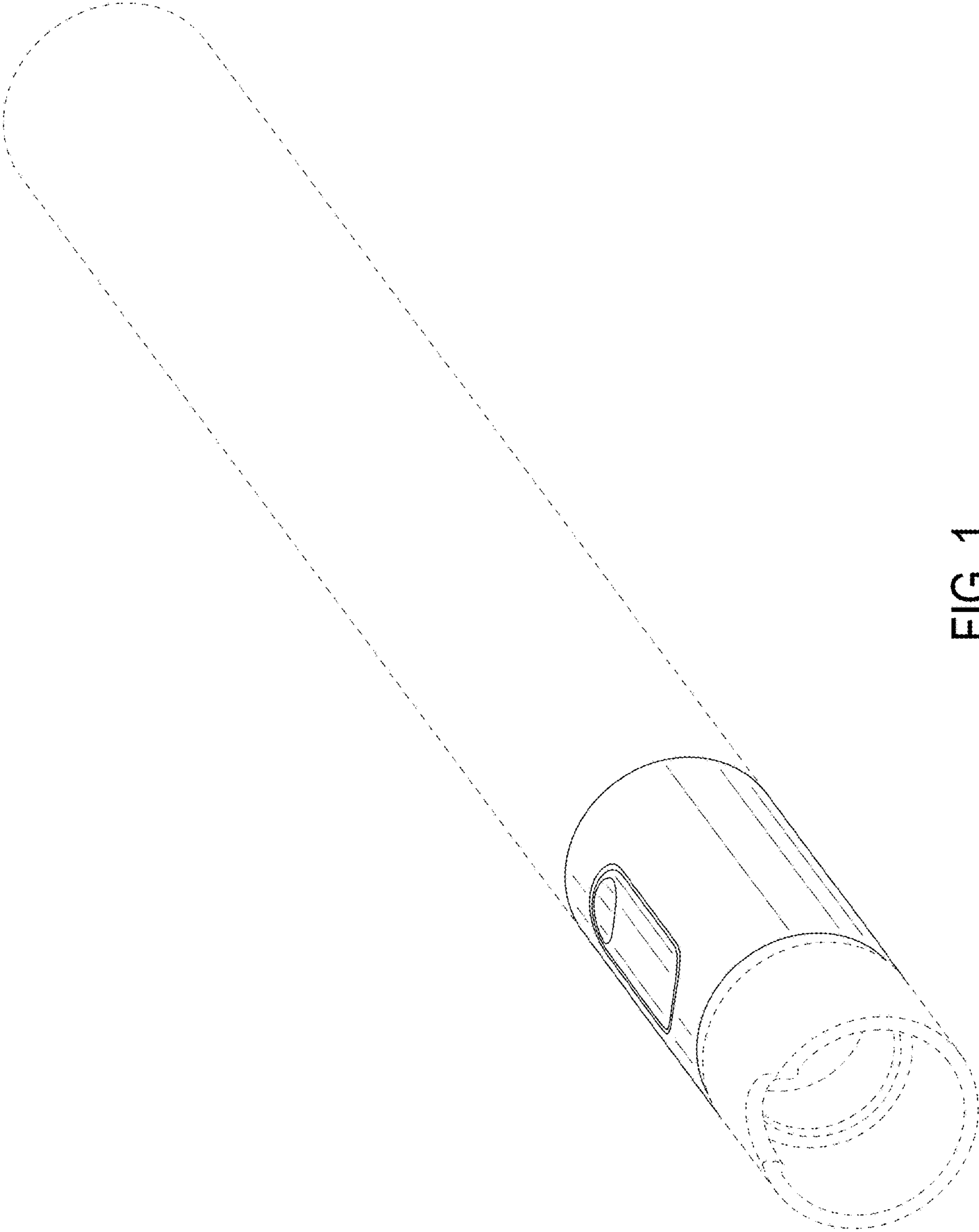


FIG. 1

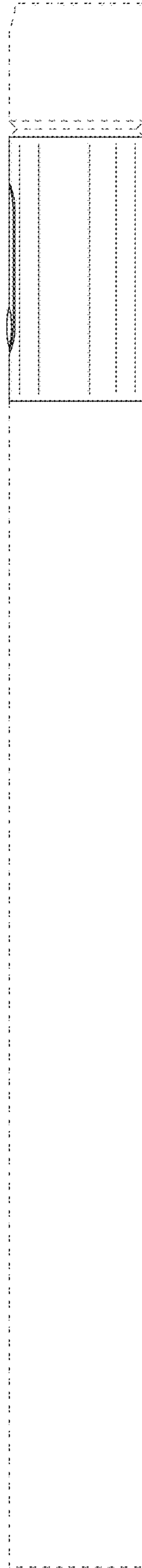


FIG. 2

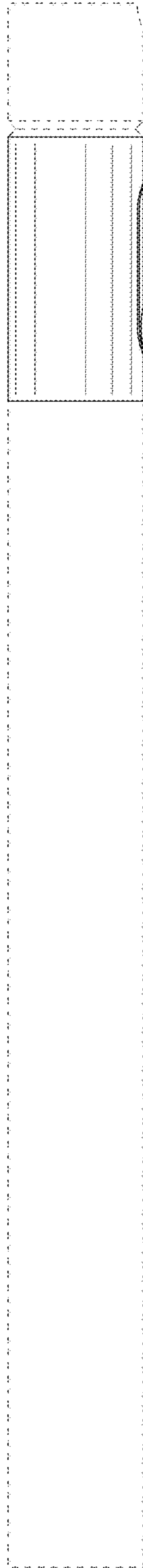


FIG. 3

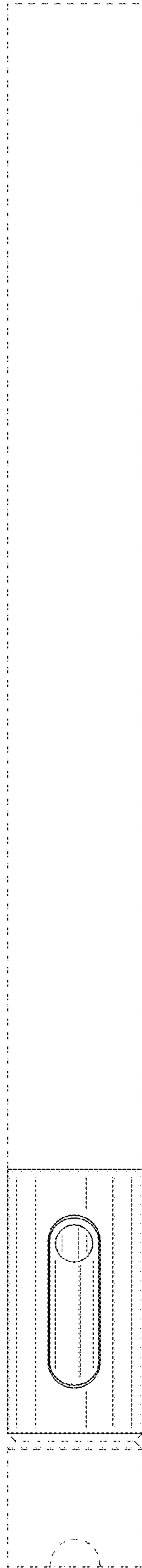


FIG. 4

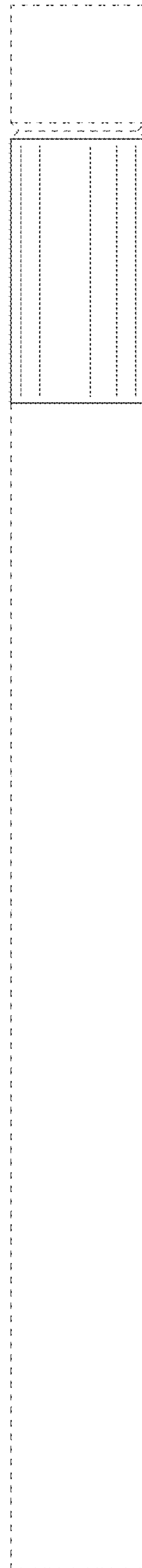


FIG. 5

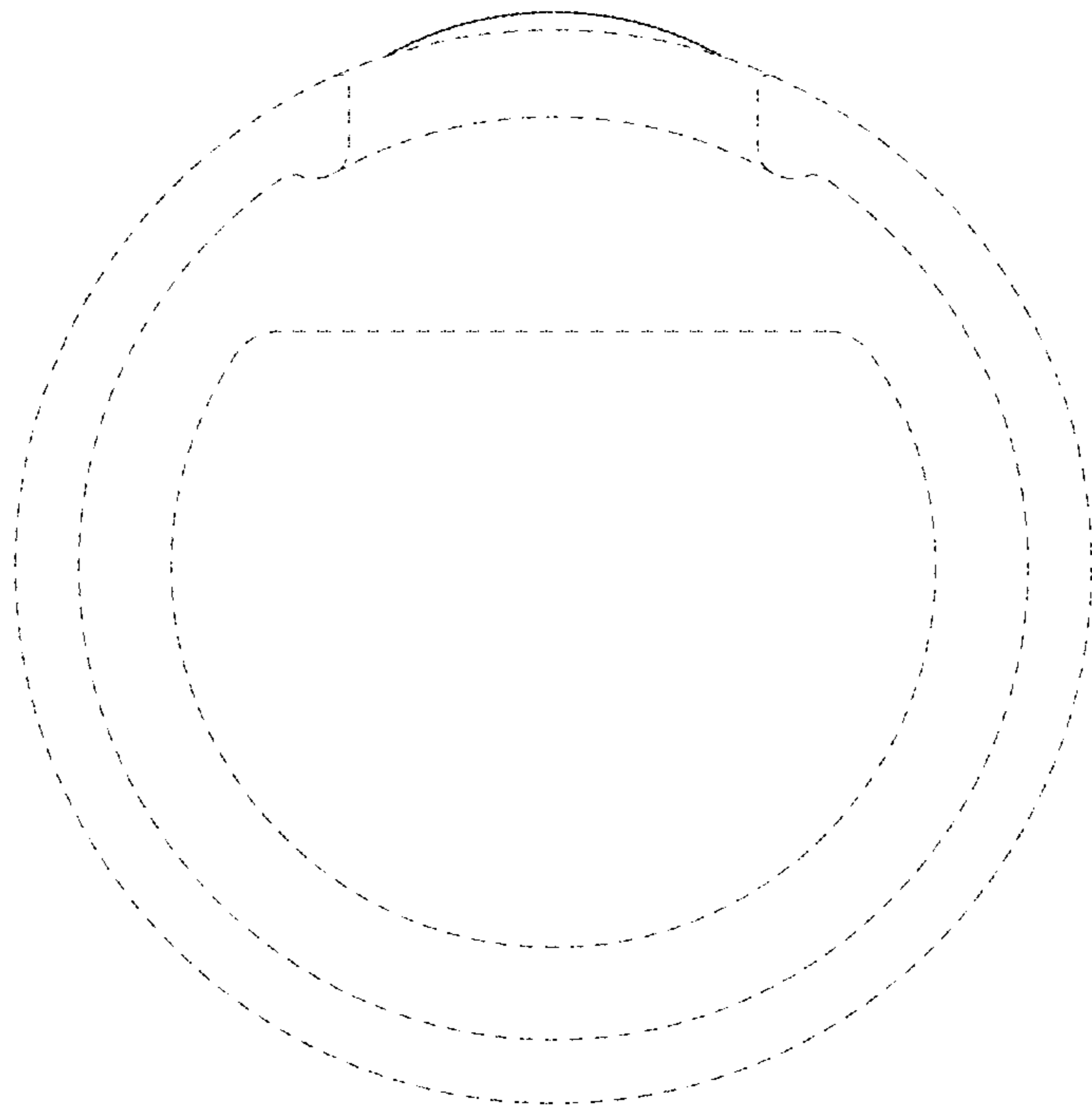


FIG. 6

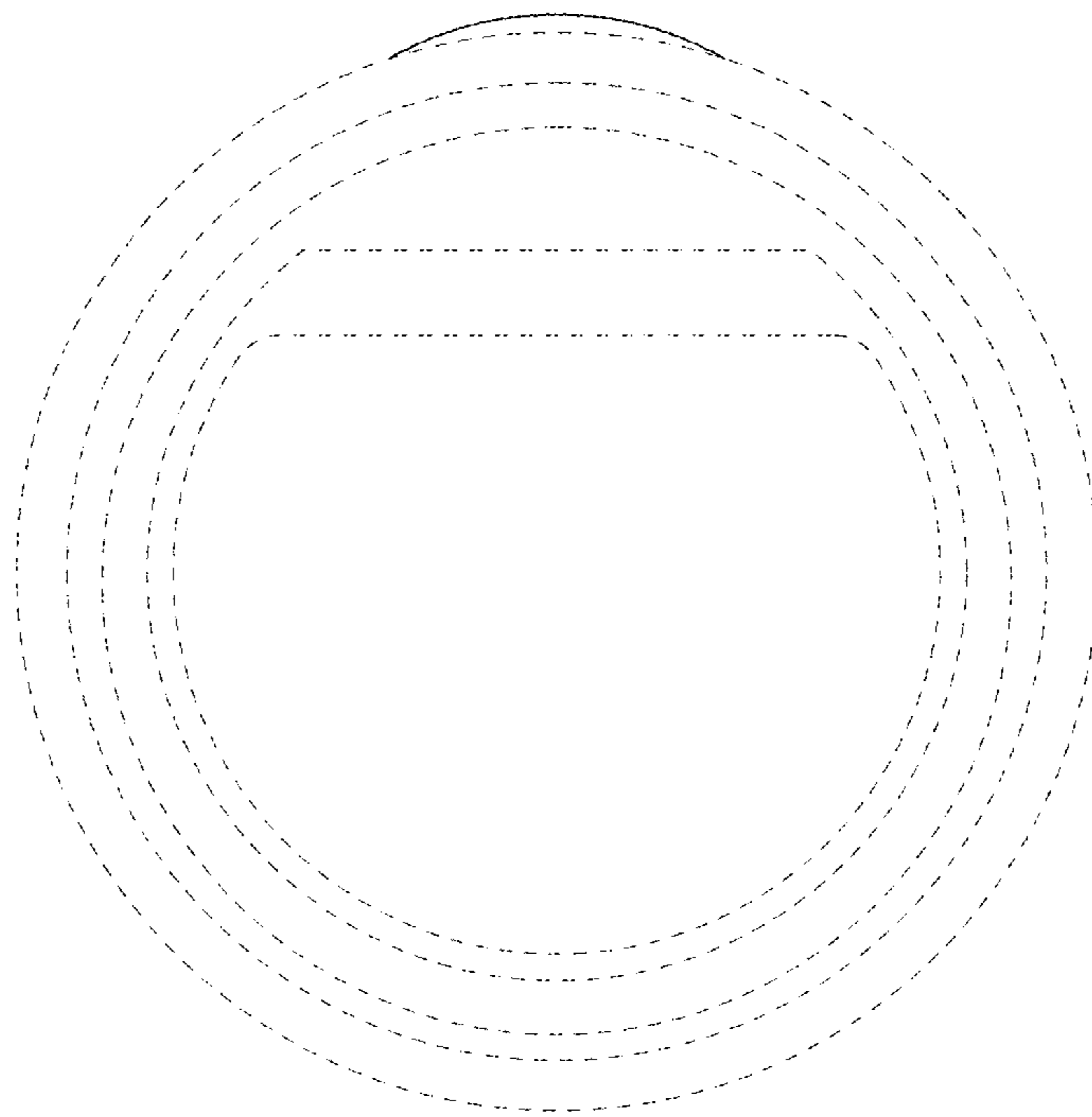


FIG. 7