

US00D792670S

(12) **United States Design Patent** (10) **Patent No.:** **US D792,670 S**
Lambert et al. (45) **Date of Patent:** **** Jul. 18, 2017**

(54) **PART OF A VACUUM CLEANER**

(56) **References Cited**

(71) Applicant: **Dyson Technology Limited**, Wiltshire (GB)

U.S. PATENT DOCUMENTS

(72) Inventors: **Adam David Lambert**, Swindon (GB);
Paul Andrew McLuckie, Bath (GB)

D306,506 S *	3/1990	Houser	D32/33
D518,259 S *	3/2006	Wertz	D32/33
D622,919 S *	8/2010	Wertz	D32/32
D635,315 S *	3/2011	Wertz	D32/32
D713,110 S *	9/2014	Erlich	D32/33
D760,973 S *	7/2016	Ventress	D32/32

(73) Assignee: **DYSON TECHNOLOGY LIMITED**, Malmesbury, Wiltshire (GB)

* cited by examiner

(**) Term: **15 Years**

Primary Examiner — Ruth McInroy

(21) Appl. No.: **29/576,500**

(74) *Attorney, Agent, or Firm* — Morrison & Foerster LLP

(22) Filed: **Sep. 2, 2016**

(57) **CLAIM**

(30) **Foreign Application Priority Data**

We claim the ornamental design for a part of a vacuum cleaner, as shown and described.

Mar. 4, 2016 (EM) 003013697-0001

DESCRIPTION

(51) **LOC (10) Cl.** **15-05**

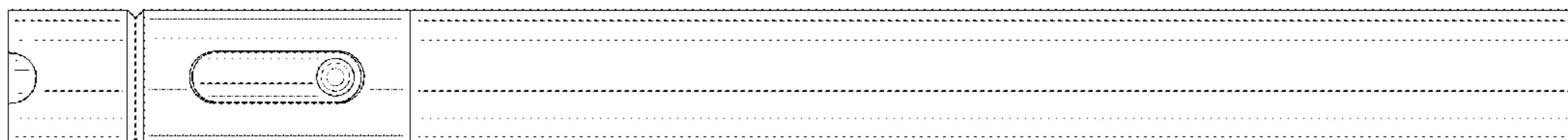
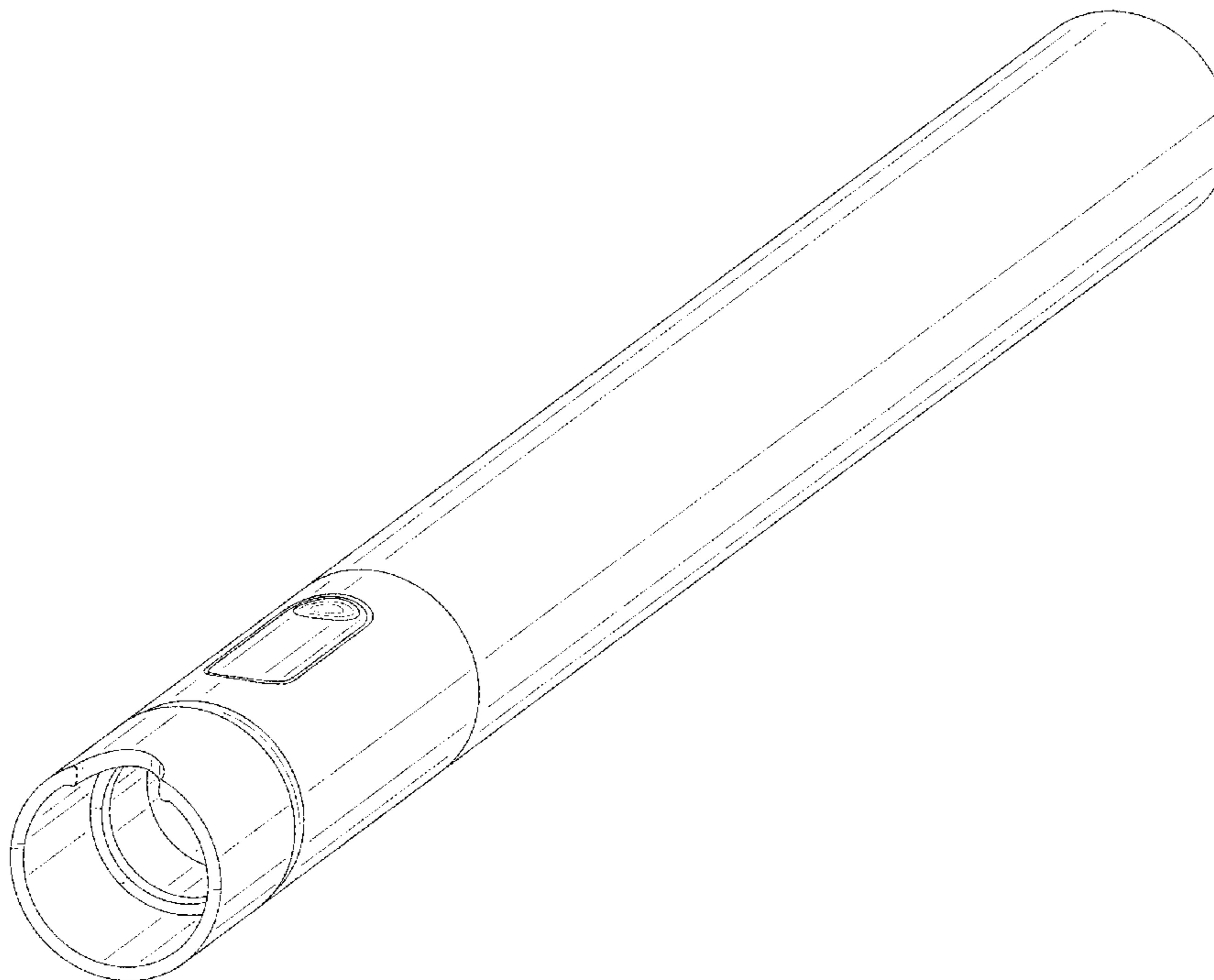
(52) **U.S. Cl.**
USPC **D32/31**

(58) **Field of Classification Search**
USPC D8/396; D32/31-33
CPC F16M 13/02; A24F 19/092; F16L 27/12;
A47L 9/242; A47L 9/02; A47L 5/362;
A47L 5/28; A47L 5/34; A47L 5/30; A47G
25/66; E04H 4/1654

FIG. 1 is a perspective view of a part of a vacuum cleaner showing our new design;
FIG. 2 is a side view thereof;
FIG. 3 is a side view of opposite side of FIG. 2;
FIG. 4 is a top view thereof;
FIG. 5 is a bottom view thereof;
FIG. 6 is a front view thereof; and,
FIG. 7 is a rear view thereof.

See application file for complete search history.

1 Claim, 7 Drawing Sheets



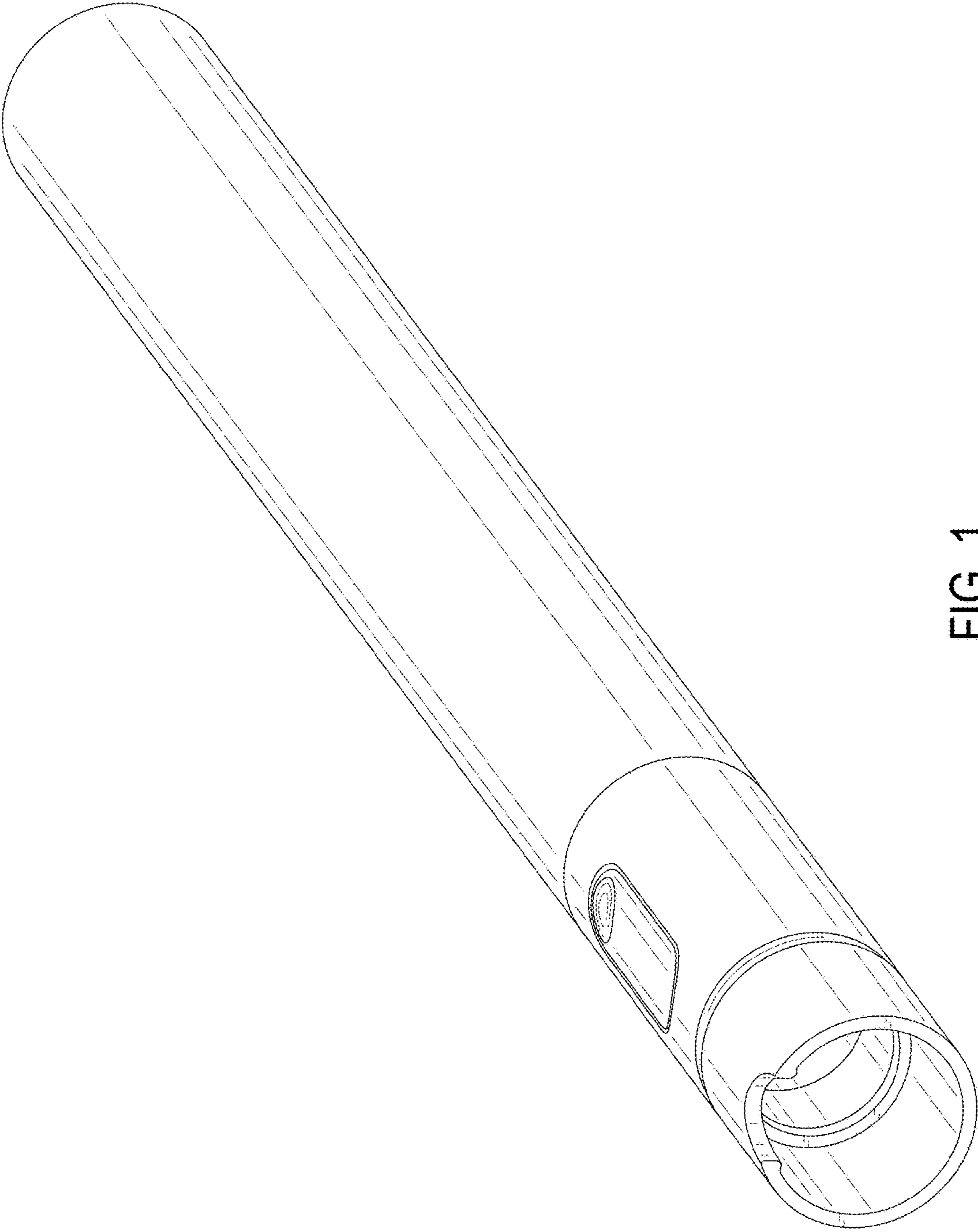


FIG. 1

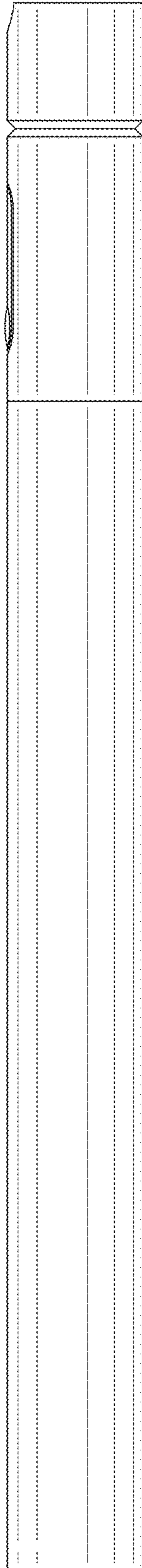


FIG. 2

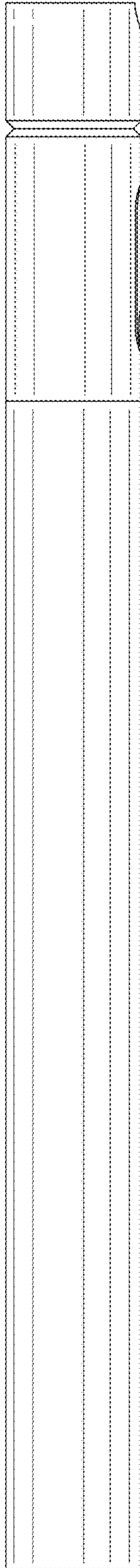


FIG. 3

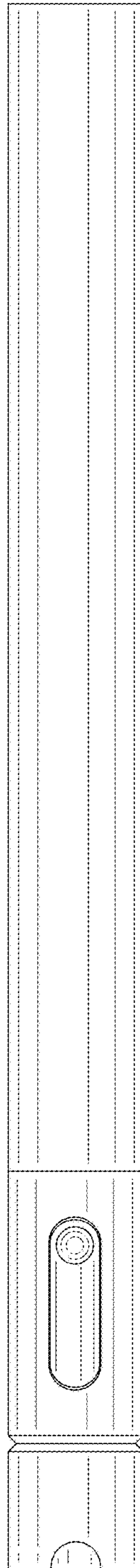


FIG. 4

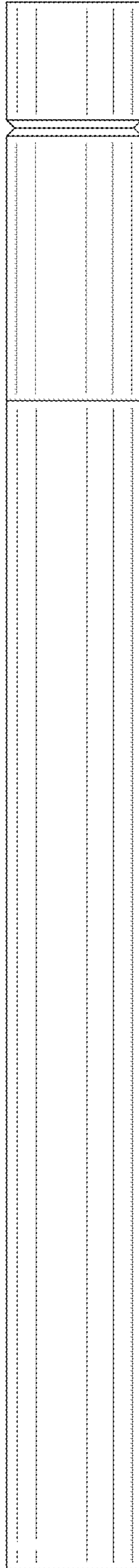


FIG. 5

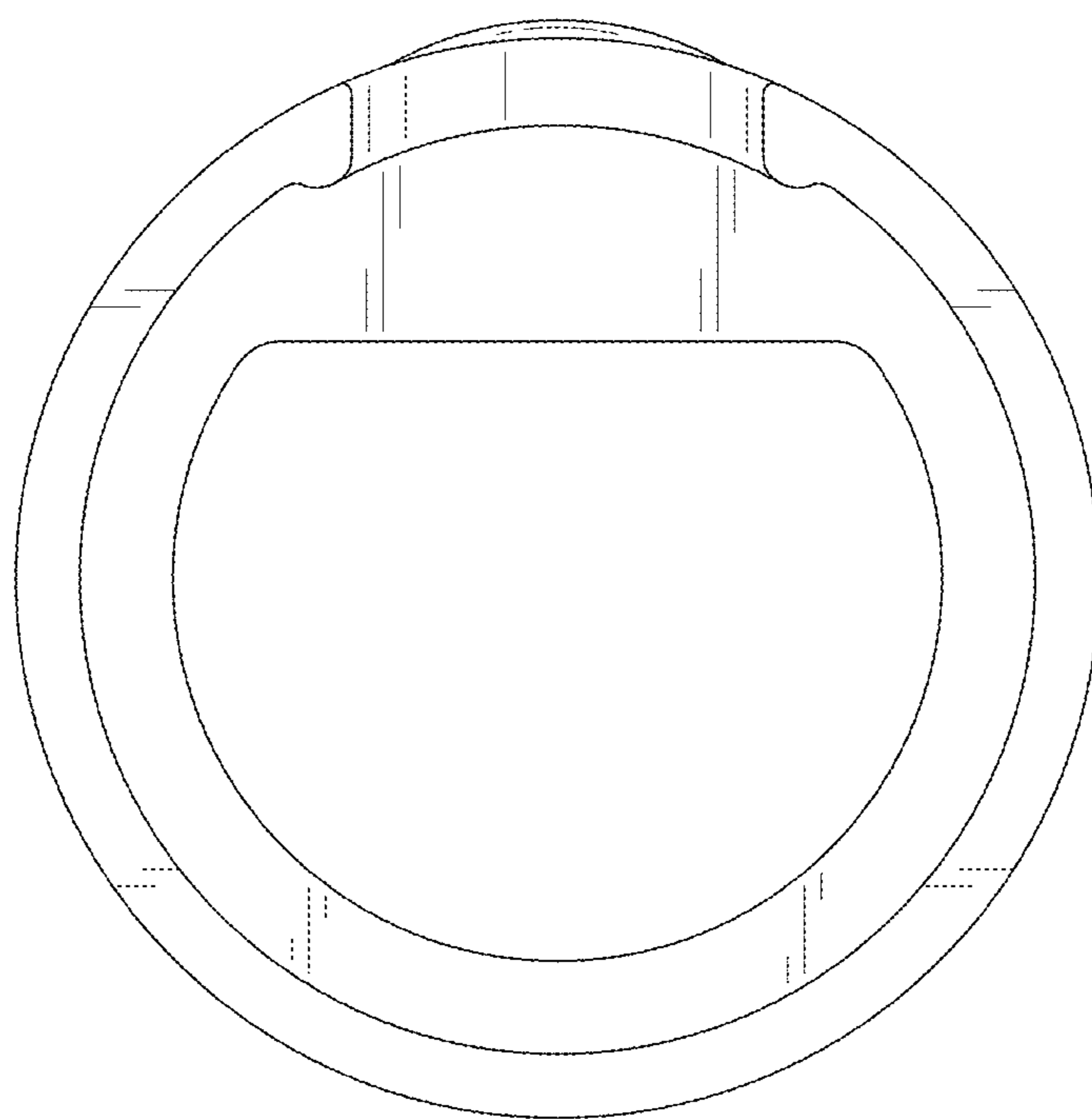


FIG. 6

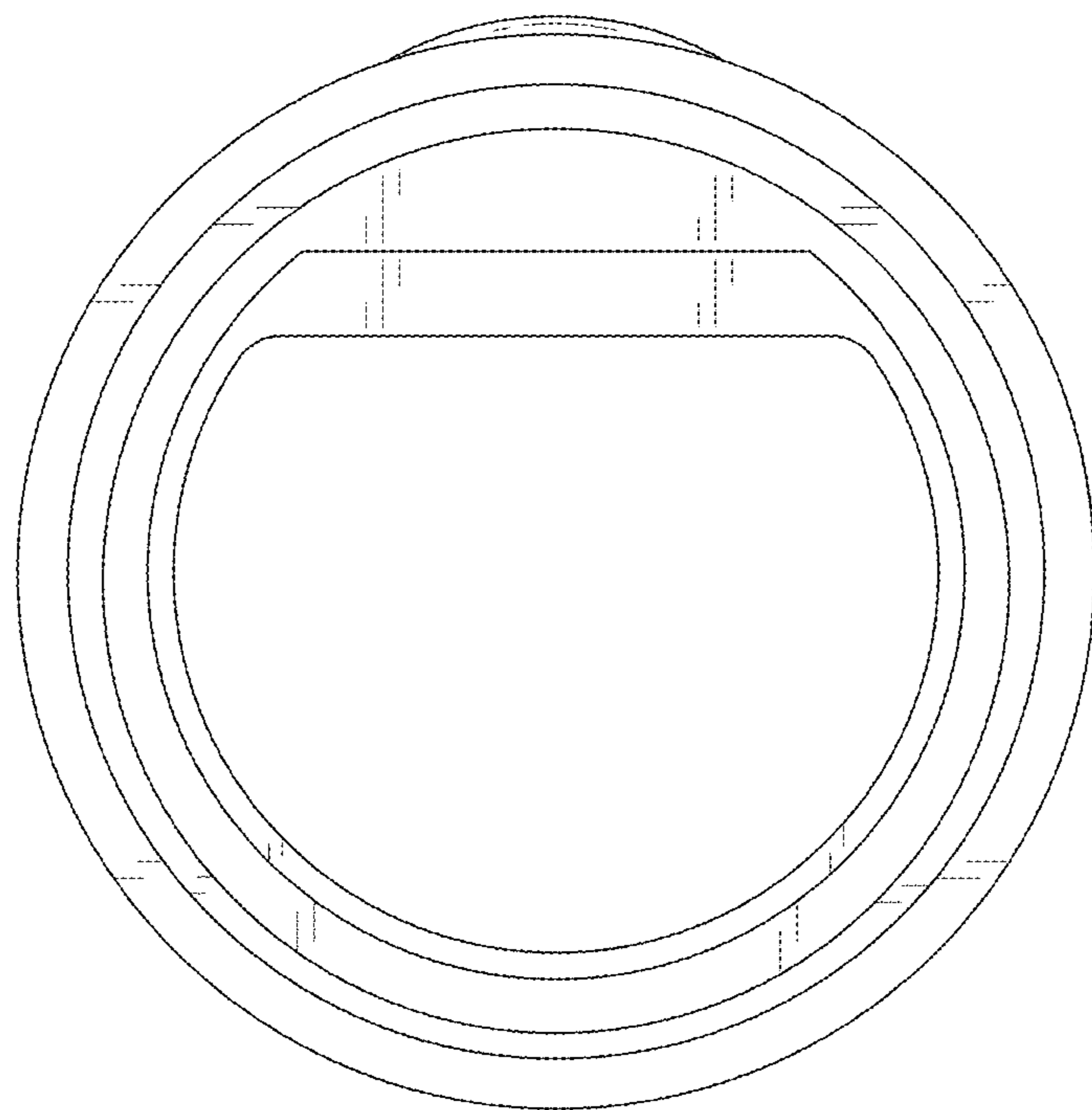


FIG. 7