



US00D792669S

(12) **United States Design Patent**  
**Johnson**

(10) **Patent No.:** **US D792,669 S**

(45) **Date of Patent:** **\*\* \*Jul. 18, 2017**

- (54) **VACUUM CLEANER BODY**
- (71) Applicant: **SharkNinja Operating LLC**, Newton, MA (US)
- (72) Inventor: **Owen R. Johnson**, Needham, MA (US)
- (73) Assignee: **SharkNinja Operating LLC**, Newton, MA (US)
- (\*) Notice: This patent is subject to a terminal disclaimer.
- (\*\*) Term: **15 Years**

|           |     |         |               |        |
|-----------|-----|---------|---------------|--------|
| 7,690,079 | B2  | 4/2010  | Boddy et al.  |        |
| D633,264  | S * | 2/2011  | Lee .....     | D32/22 |
| D652,589  | S * | 1/2012  | Lee .....     | D32/22 |
| D662,271  | S * | 6/2012  | Conrad .....  | D32/31 |
| D662,272  | S * | 6/2012  | Conrad .....  | D32/31 |
| D670,878  | S * | 11/2012 | Lee .....     | D32/22 |
| 8,402,601 | B2  | 3/2013  | Fahlstrom     |        |
| D686,377  | S * | 7/2013  | Thorne .....  | D32/31 |
| D695,980  | S * | 12/2013 | Thorne .....  | D32/22 |
| 8,631,541 | B2  | 1/2014  | Tran          |        |
| 8,776,311 | B2  | 7/2014  | Genn et al.   |        |
| D730,001  | S * | 5/2015  | Yun .....     | D32/22 |
| D735,426  | S * | 7/2015  | Yun .....     | D32/22 |
| D739,104  | S * | 9/2015  | Johnson ..... | D32/31 |
| D739,620  | S * | 9/2015  | Johnson ..... | D32/22 |
| D740,503  | S * | 10/2015 | Tyler .....   | D32/22 |

(Continued)

(21) Appl. No.: **29/527,001**

(22) Filed: **May 14, 2015**

(51) **LOC (10) Cl.** ..... **15-05**

(52) **U.S. Cl.**  
USPC ..... **D32/31**

(58) **Field of Classification Search**  
USPC ... D32/17-18, 21-24, 31, 34, 40, 42, 49-52  
CPC ... A47L 5/28; A47L 5/32; A47L 5/362; A47L 5/365; A47L 5/24; A47L 5/34; A47L 7/0038; A47L 9/26; A47L 9/2857; A47L 9/20; A47L 9/02; A47L 9/322; A47L 9/325; A47L 11/34; A47L 11/40; A47L 11/4044; A47L 11/20; A47L 11/146  
See application file for complete search history.

(56) **References Cited**

**U.S. PATENT DOCUMENTS**

|           |     |         |                 |        |
|-----------|-----|---------|-----------------|--------|
| 6,012,200 | A   | 1/2000  | Murphy et al.   |        |
| 6,226,832 | B1  | 5/2001  | McCormick       |        |
| D510,465  | S * | 10/2005 | Takahashi ..... | D32/22 |
| 7,200,893 | B2  | 4/2007  | Gerber et al.   |        |
| D553,313  | S * | 10/2007 | Parr .....      | D32/22 |
| 7,329,294 | B2  | 2/2008  | Conrad          |        |
| D587,870  | S * | 3/2009  | Baek .....      | D32/22 |
| D610,317  | S * | 2/2010  | Lee .....       | D32/22 |
| D610,318  | S * | 2/2010  | Shin .....      | D32/22 |

**FOREIGN PATENT DOCUMENTS**

|    |            |    |        |
|----|------------|----|--------|
| JP | H10201682  | A  | 8/1998 |
| WO | 2014131106 | A1 | 9/2014 |

*Primary Examiner* — Ruth McInroy

(74) *Attorney, Agent, or Firm* — Grossman Tucker Perreault & Pfeleger, PLLC

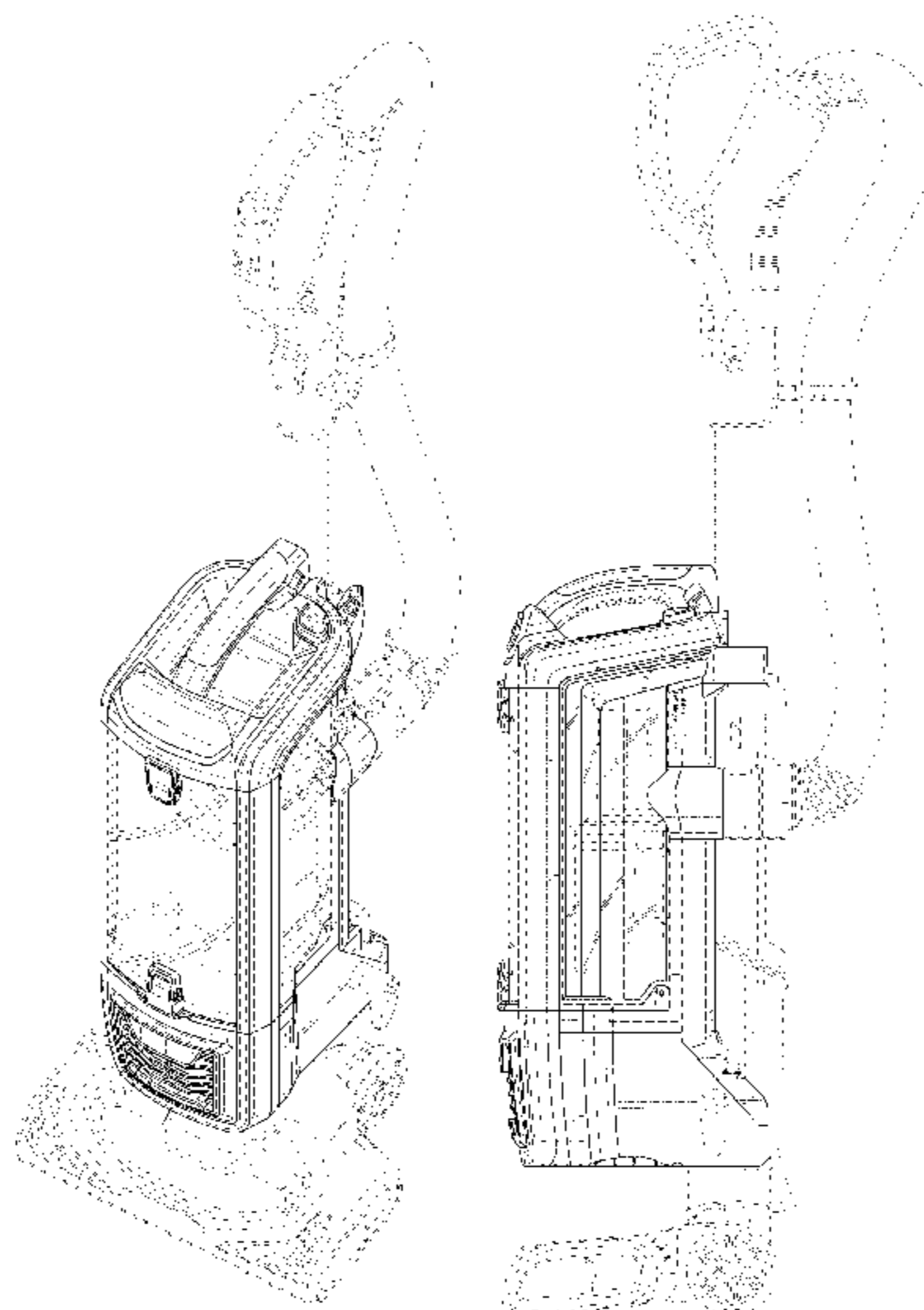
(57) **CLAIM**

The ornamental design for a vacuum cleaner body, as shown and described.

**DESCRIPTION**

FIG. 1 is a front perspective view of a vacuum cleaner body showing my new design;  
FIG. 2 is a front elevational view of FIG. 1;  
FIG. 3 is a rear elevational view of FIG. 1;  
FIG. 4 is a left side elevational view of FIG. 1;  
FIG. 5 is a right side elevational view of FIG. 1;  
FIG. 6 is a top plan view of FIG. 1; and,  
FIG. 7 is a bottom plan view of FIG. 1.  
The broken lines in the drawings are for illustrative purposes only and form no part of the claimed design.

**1 Claim, 6 Drawing Sheets**



(56)

**References Cited**

U.S. PATENT DOCUMENTS

2009/0031522 A1\* 2/2009 Yoo ..... A47L 5/28  
15/327.1  
2011/0296648 A1 12/2011 Kah, Jr.  
2014/0237755 A1\* 8/2014 Conrad ..... A47L 7/0095  
15/329  
2015/0351596 A1\* 12/2015 Thorne ..... A47L 5/28  
15/332

\* cited by examiner

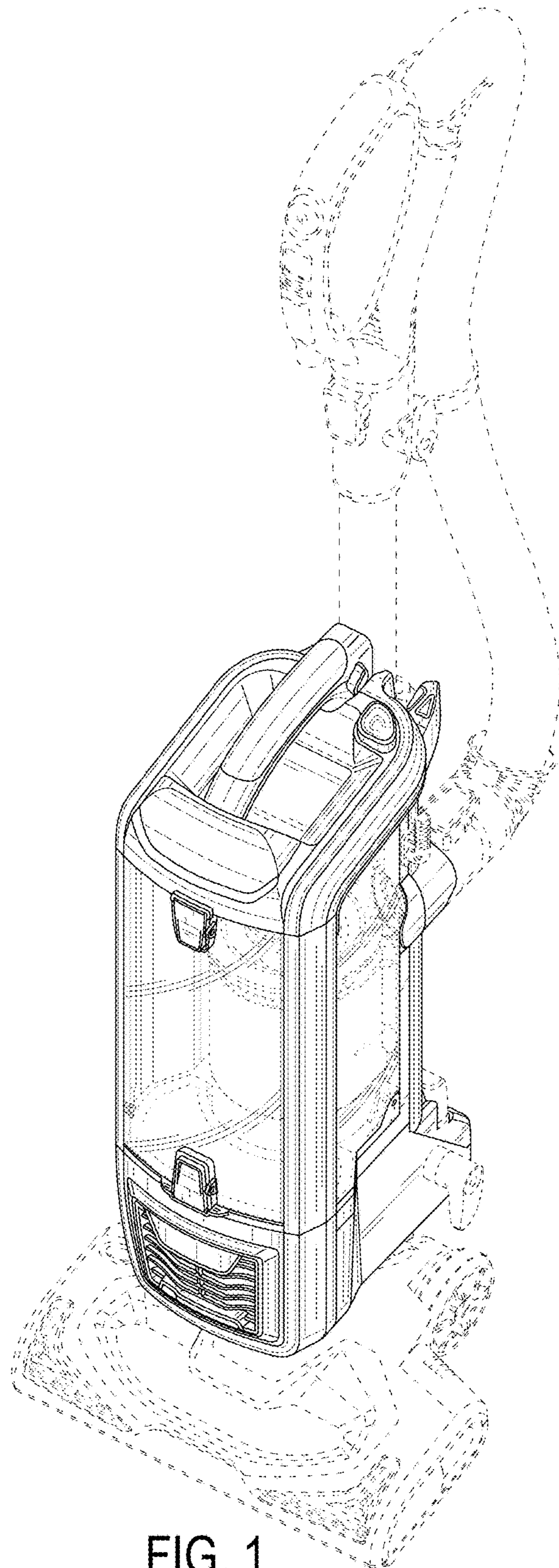


FIG. 1

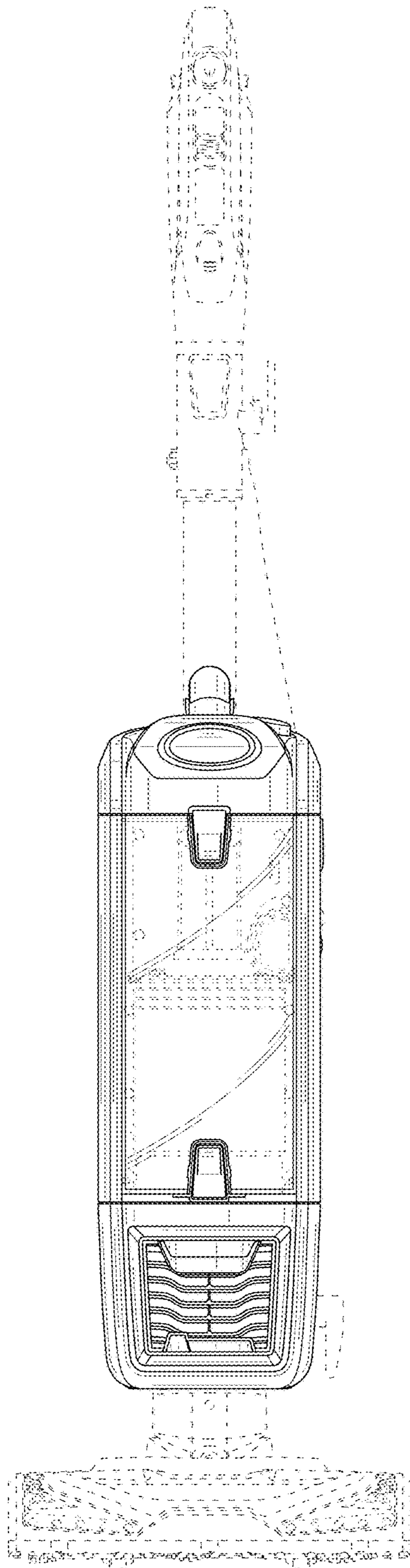


FIG. 2

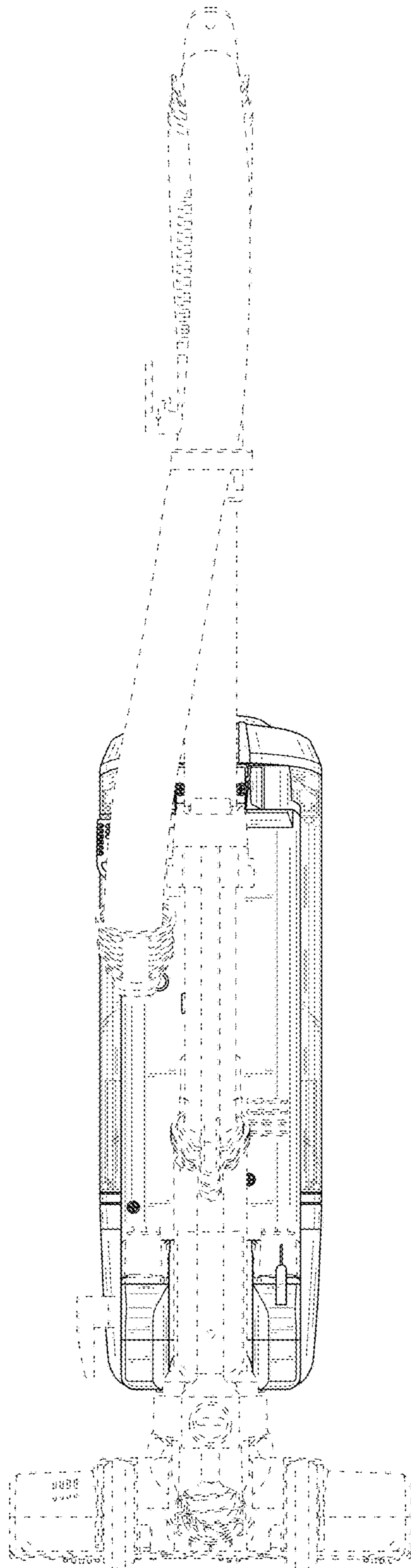


FIG. 3

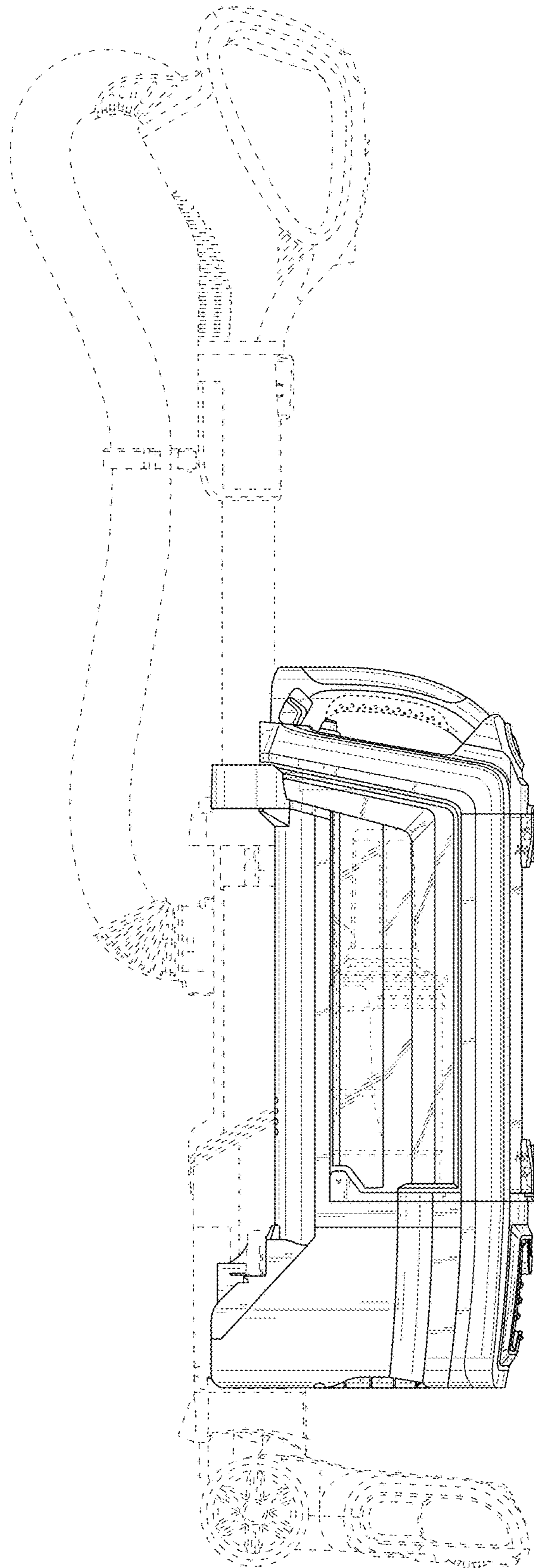


FIG. 4

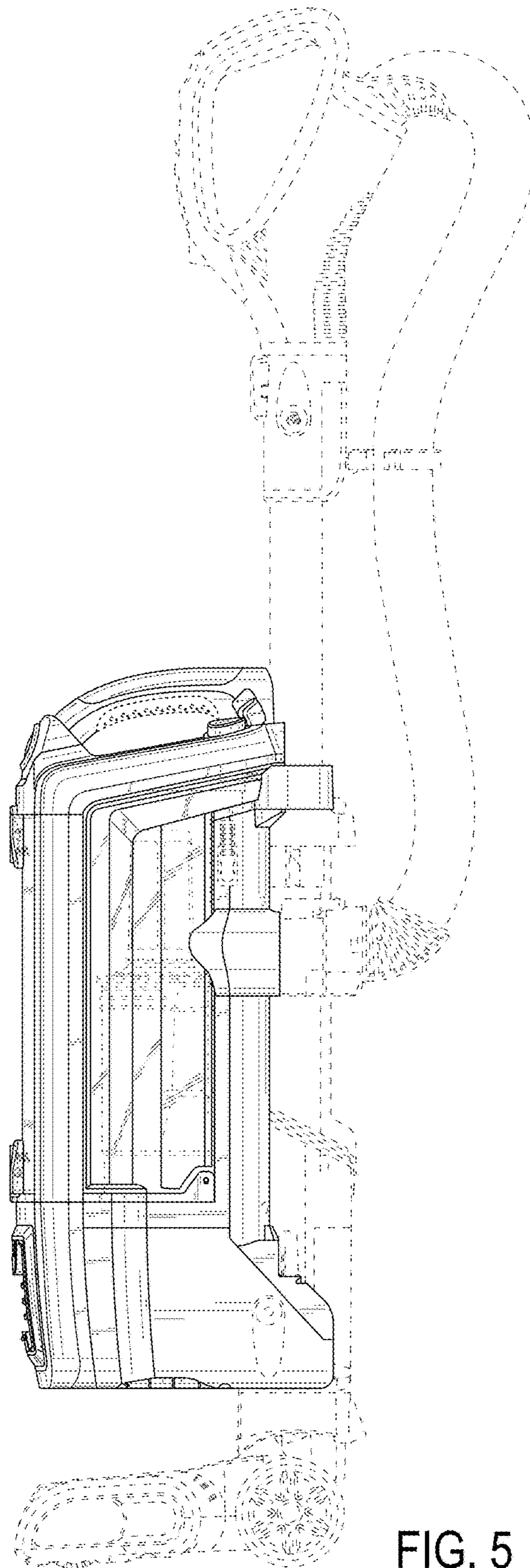


FIG. 5

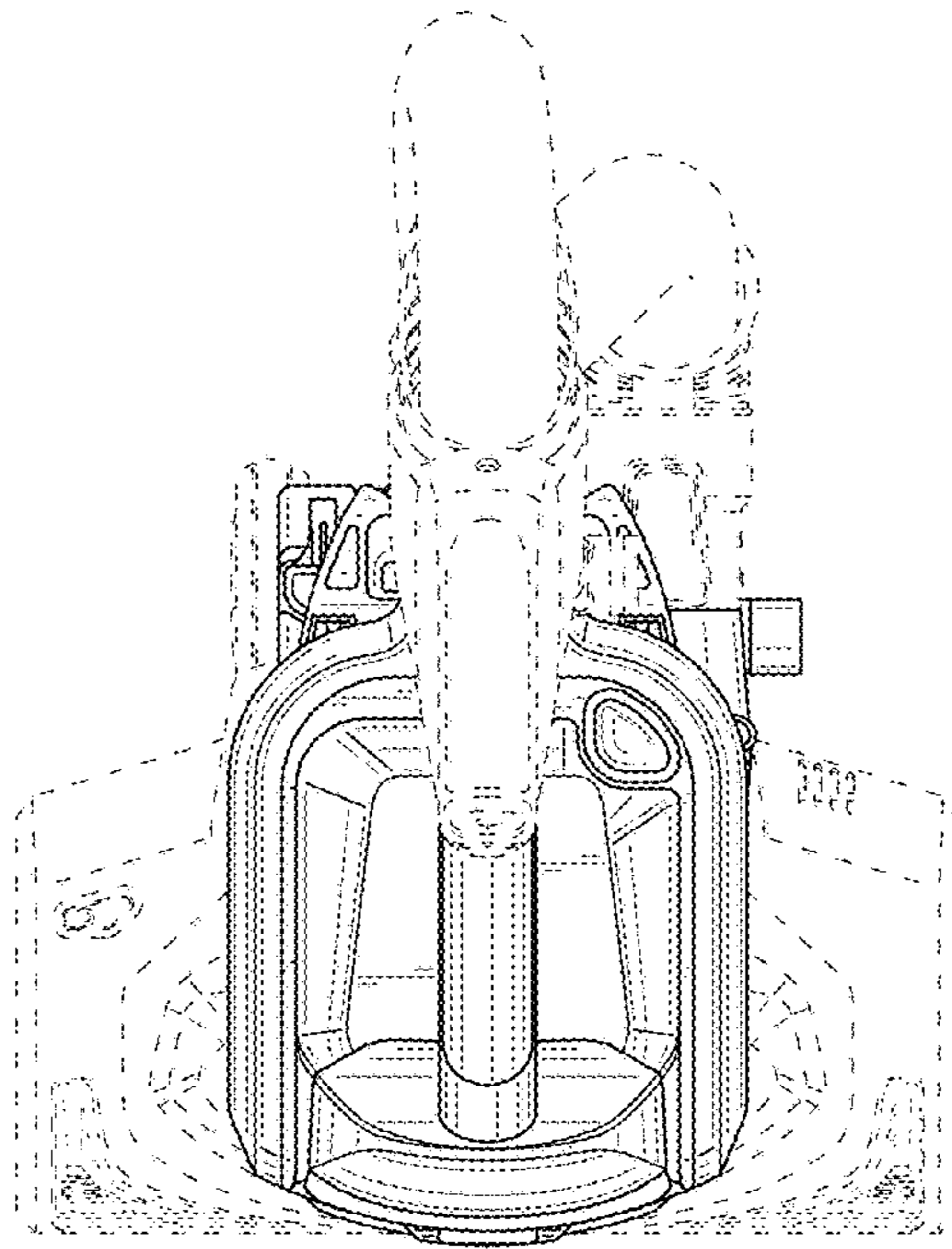


FIG. 6

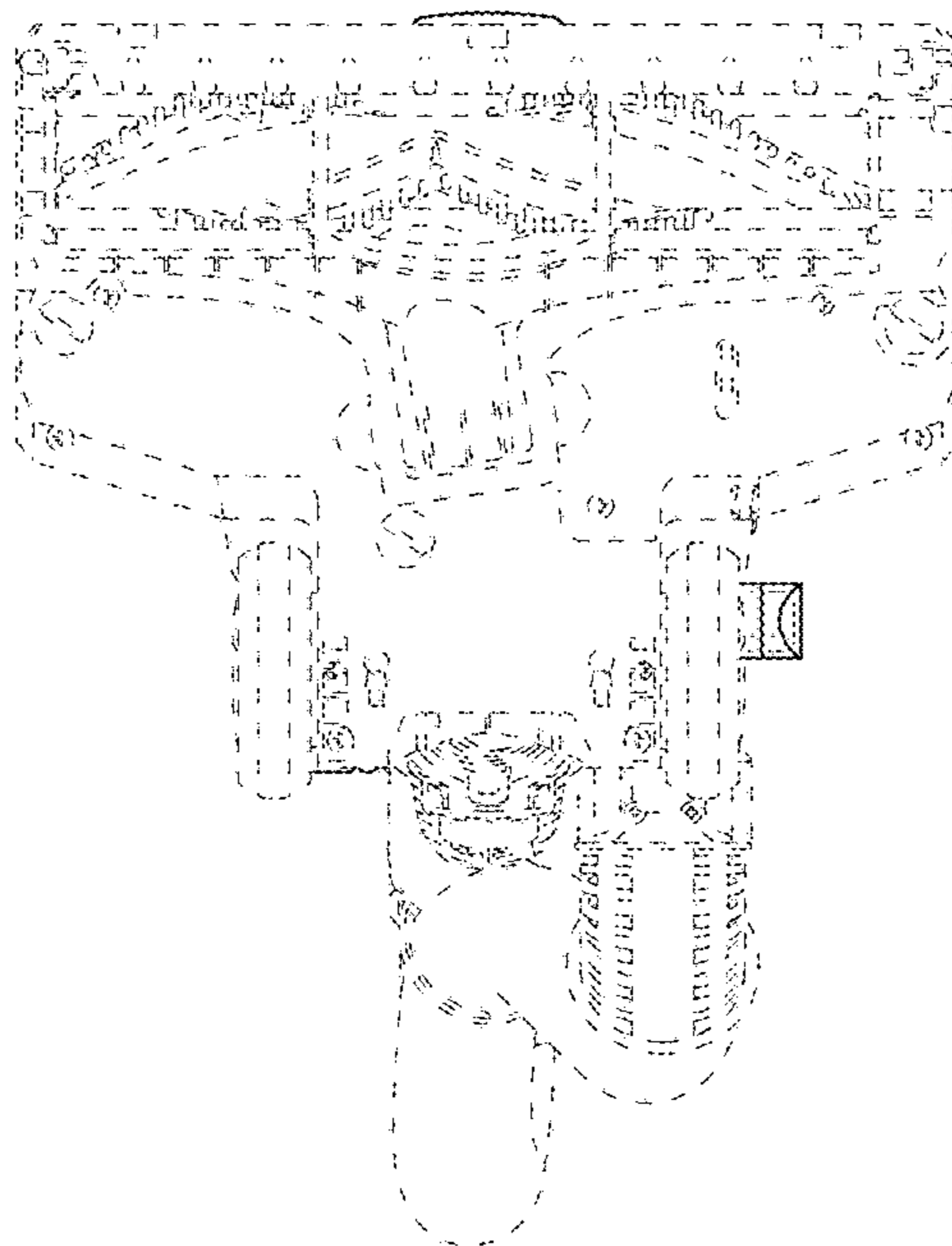


FIG. 7