



US00D792665S

(12) **United States Design Patent**
Salagnac

(10) **Patent No.:** **US D792,665 S**

(45) **Date of Patent:** **** Jul. 18, 2017**

- (54) **VACUUM CLEANER HANDLE**
- (71) Applicant: **ROWENTA FRANCE**, Vernon (FR)
- (72) Inventor: **Marc Salagnac**, Ecully (FR)
- (73) Assignee: **Rowenta France**, Vernon (FR)
- (**) Term: **15 Years**
- (21) Appl. No.: **29/542,413**

- D743,123 S * 11/2015 Chu D32/18
- D745,231 S * 12/2015 Niedzwecki D32/18
- D747,572 S * 1/2016 Kerr D32/18
- D774,260 S * 12/2016 Manning D32/22

(Continued)

FOREIGN PATENT DOCUMENTS

- CN 300850041 11/2008
- CN 301445678 1/2011

(Continued)

OTHER PUBLICATIONS

Images of Competitor Vacuum models, 2009-2013, 5 pages.

Primary Examiner — Ruth McInroy

(74) *Attorney, Agent, or Firm* — Loeb & Loeb LLP

(57) **CLAIM**

The ornamental design for a vacuum cleaner handle, as shown and described.

DESCRIPTION

FIG. 1 is a perspective view of a vacuum cleaner handle showing my new design;
 FIG. 2 is a front elevational view of the vacuum cleaner handle of FIG. 1;
 FIG. 3 is a back elevational view of the vacuum cleaner handle of FIG. 1;
 FIG. 4 is a right side elevational view of the vacuum cleaner handle of FIG. 1;
 FIG. 5 is a left side view of the vacuum cleaner handle of FIG. 1;
 FIG. 6 is a top view of the vacuum cleaner handle of FIG. 1; and,
 FIG. 7 is a bottom view of the vacuum cleaner handle of FIG. 1.

The broken lines shown in the figure drawings are included for the purpose of illustration and form no part of the claimed design.

1 Claim, 7 Drawing Sheets

- (22) Filed: **Oct. 14, 2015**
- (30) **Foreign Application Priority Data**

Apr. 20, 2015 (EM) 002684530-0002

(51) **LOC (10) Cl.** **15-05**

(52) **U.S. Cl.**
USPC **D32/18; D32/34**

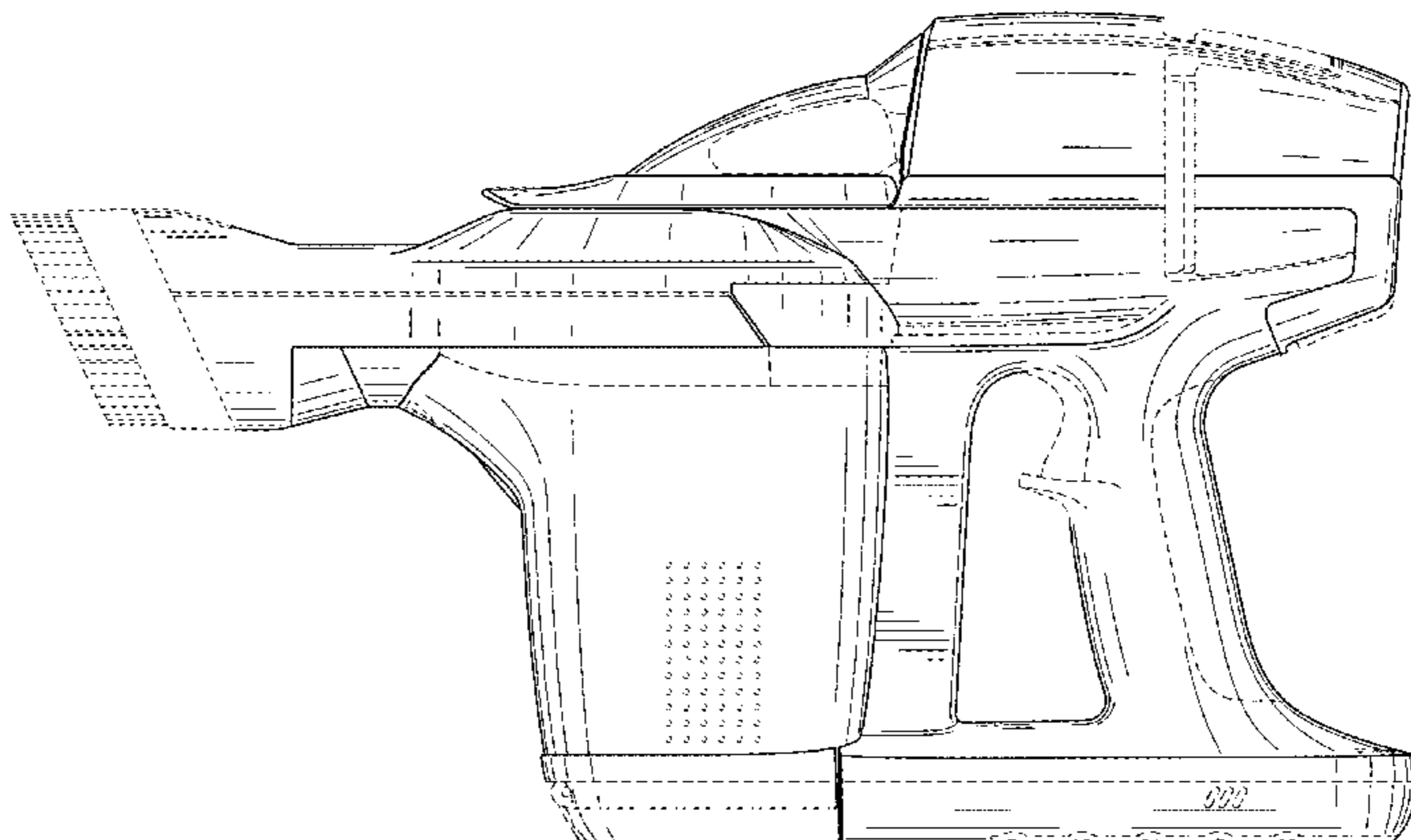
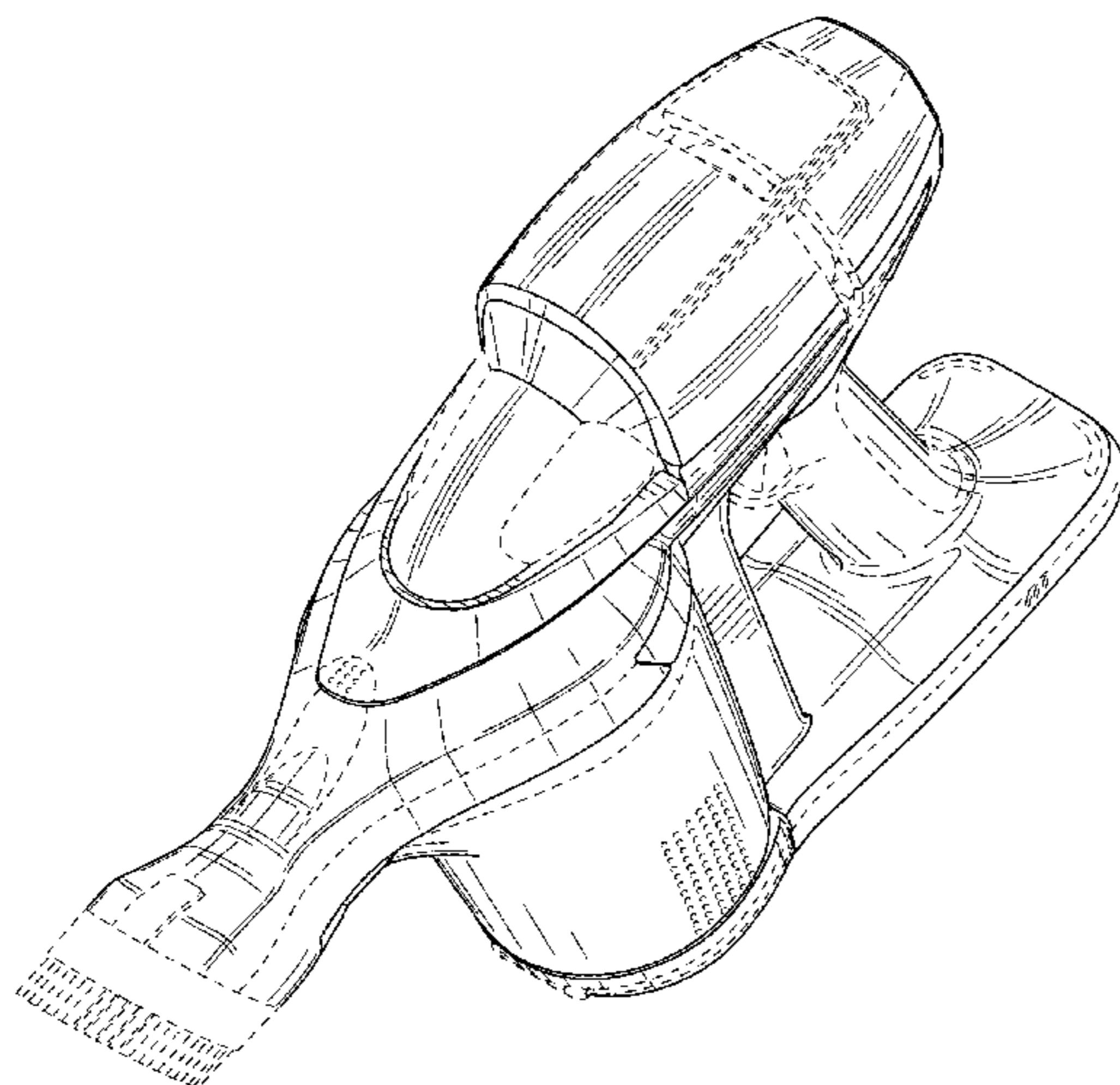
(58) **Field of Classification Search**
USPC D32/17-18, 21-22, 31, 34
CPC A47L 5/24; A47L 5/28; A47L 5/34; A47L 5/362; A47L 5/36; A47L 11/34; A47L 9/325; A47L 9/20; A47L 9/02; A47L 9/32; A47L 9/322; A47L 9/327; A47L 7/0038

See application file for complete search history.

(56) **References Cited**

U.S. PATENT DOCUMENTS

- D348,548 S * 7/1994 Pino D32/18
- D668,010 S * 9/2012 Stickney D32/18
- 9,027,198 B2 * 5/2015 Conrad A47L 9/16
- 15/344
- D731,130 S * 6/2015 Dyson D32/18
- D731,134 S * 6/2015 Dyson D32/31
- D731,136 S * 6/2015 Yun D32/34
- D731,720 S * 6/2015 Gidwell D32/18
- D738,584 S * 9/2015 Niedzwecki D32/18
- D739,102 S 9/2015 Dyson et al.
- D741,558 S * 10/2015 Kerr D32/18
- D742,083 S * 10/2015 Gidwell D32/31



(56)

References Cited

U.S. PATENT DOCUMENTS

2014/0060577 A1* 3/2014 Bruders A47L 11/4044
134/6
2016/0345795 A1* 12/2016 Manning A47L 11/34

FOREIGN PATENT DOCUMENTS

CN	302341370	3/2013
CN	302415200	4/2013
CN	302721262	1/2014
CN	302836526	6/2014
CN	302902358	8/2014
CN	302993689	11/2014
CN	303059652	12/2014
EM	000780341-0001	9/2007
EM	001151211-0001	8/2009
EM	002264424-0012	7/2013
EM	002286872-0001	9/2013
EM	002412957-0006	2/2014
EM	001413132-0001	8/2014
KR	3007633450000	9/2014

* cited by examiner

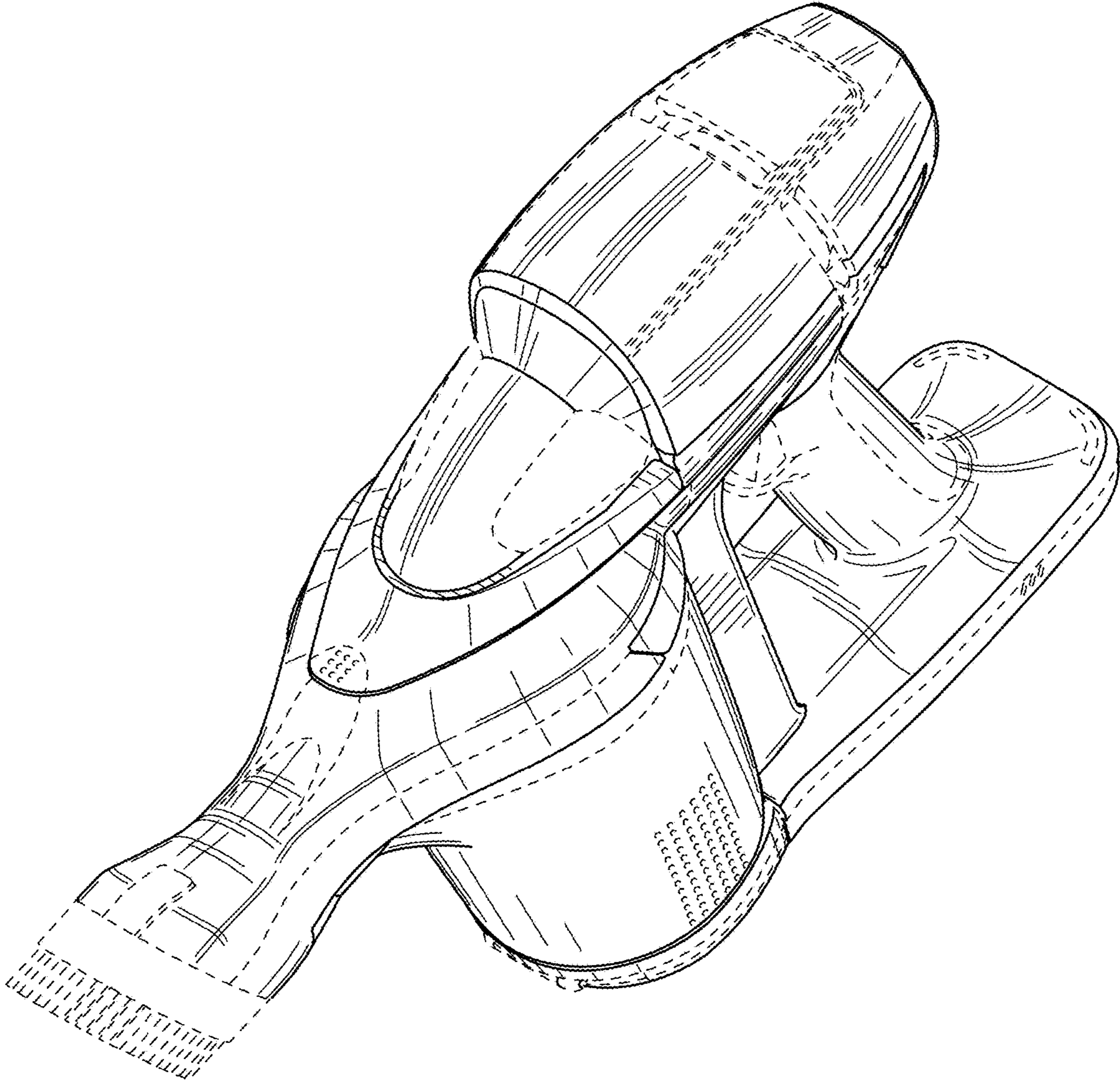


FIG. 1

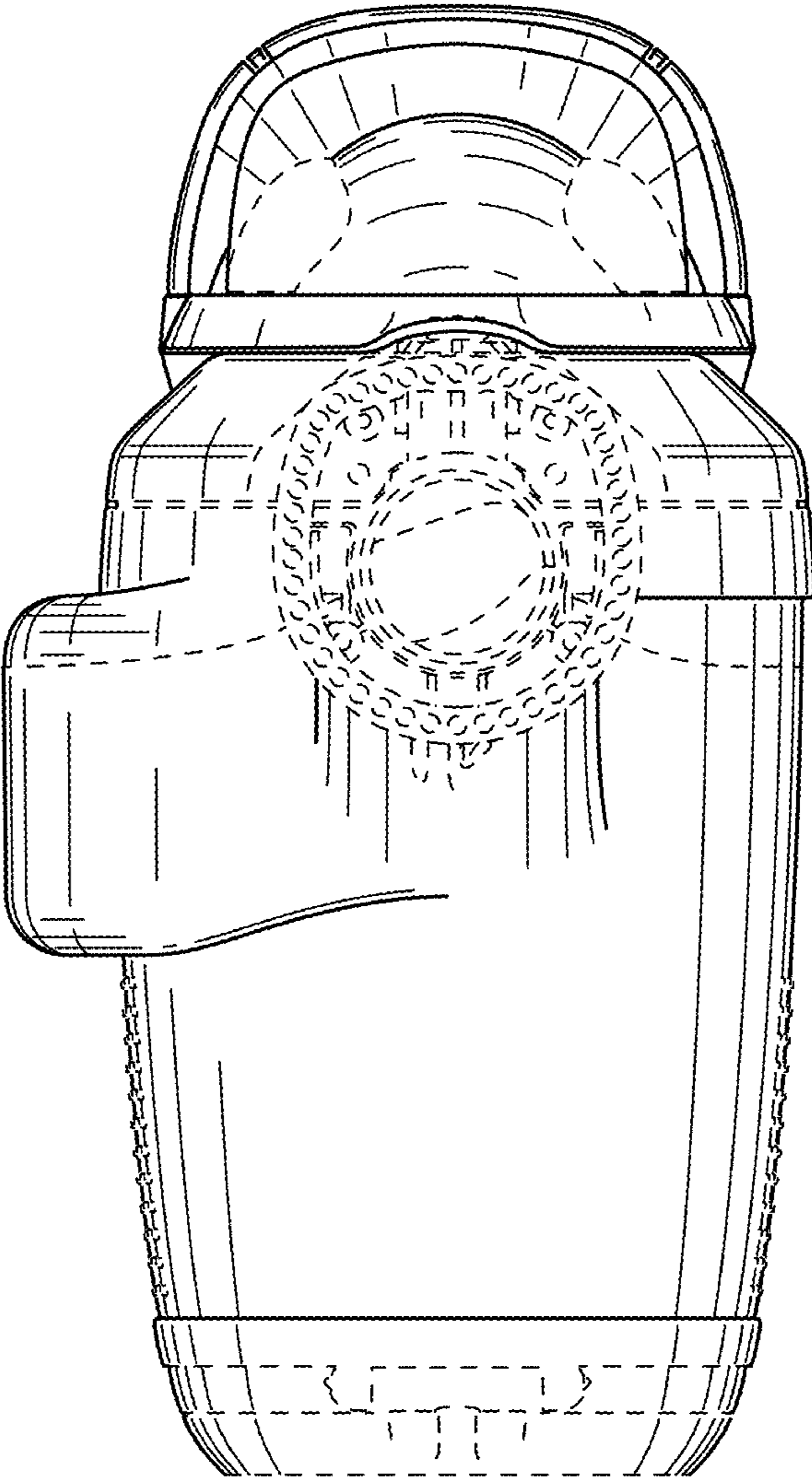


FIG. 2

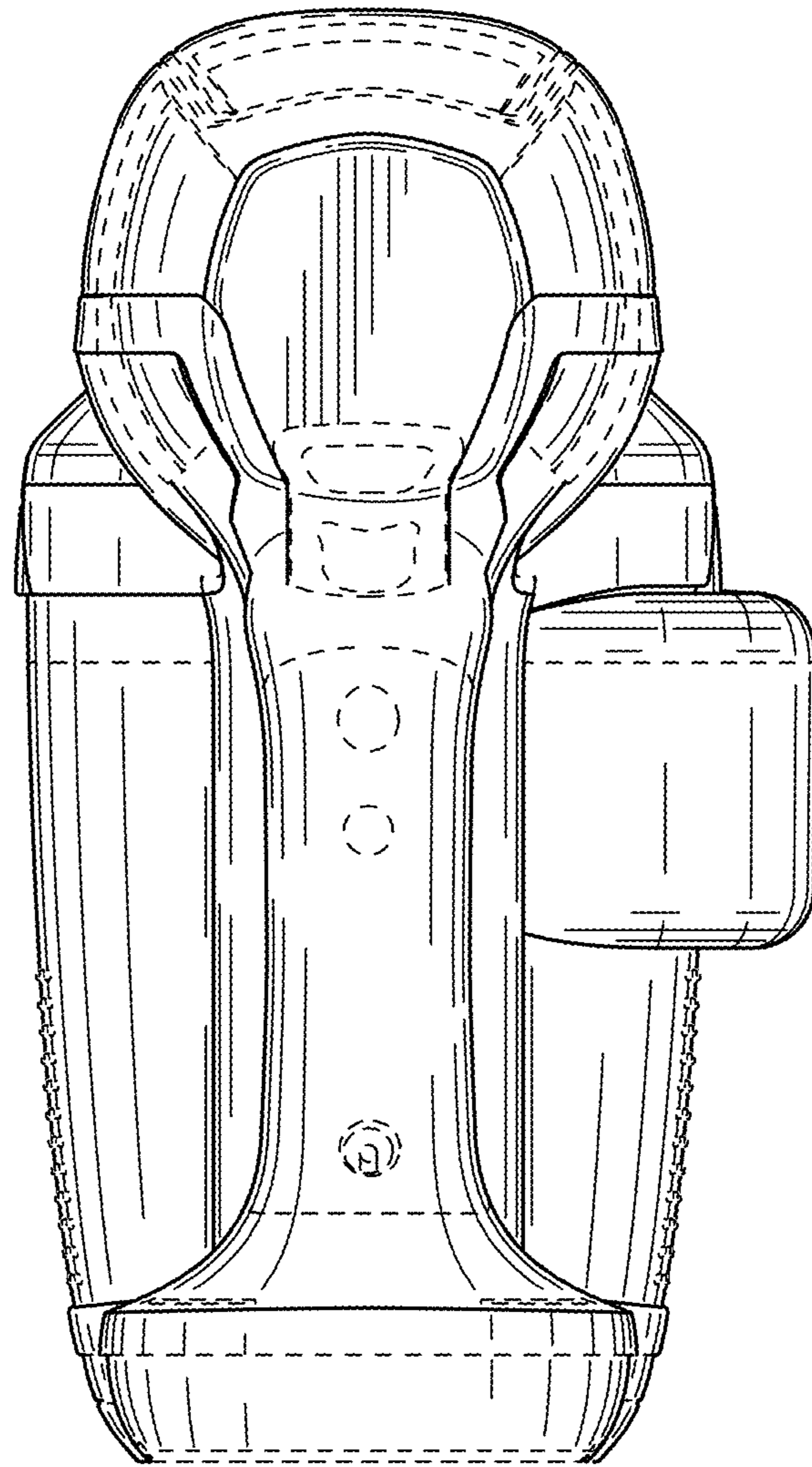


FIG. 3

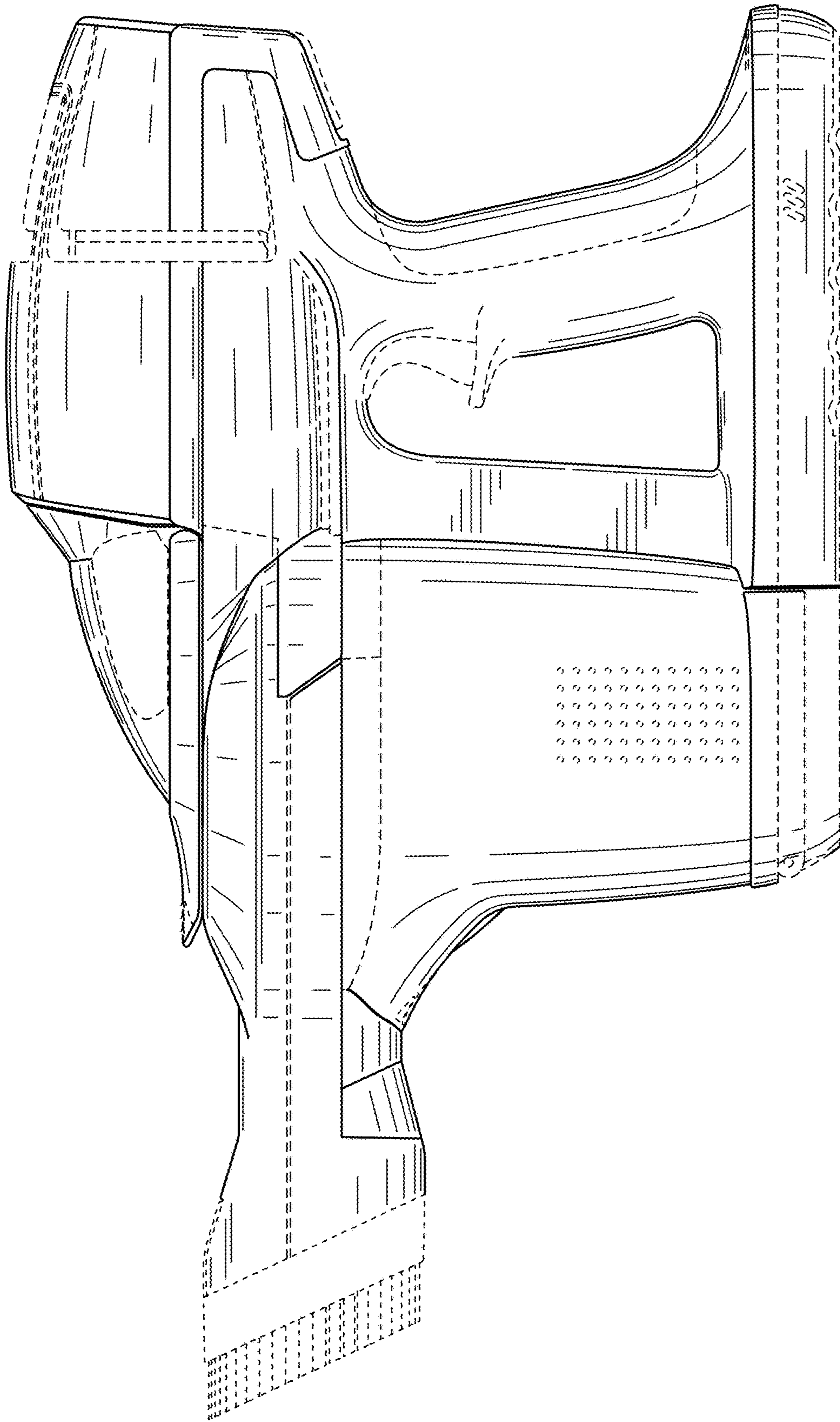


FIG. 4

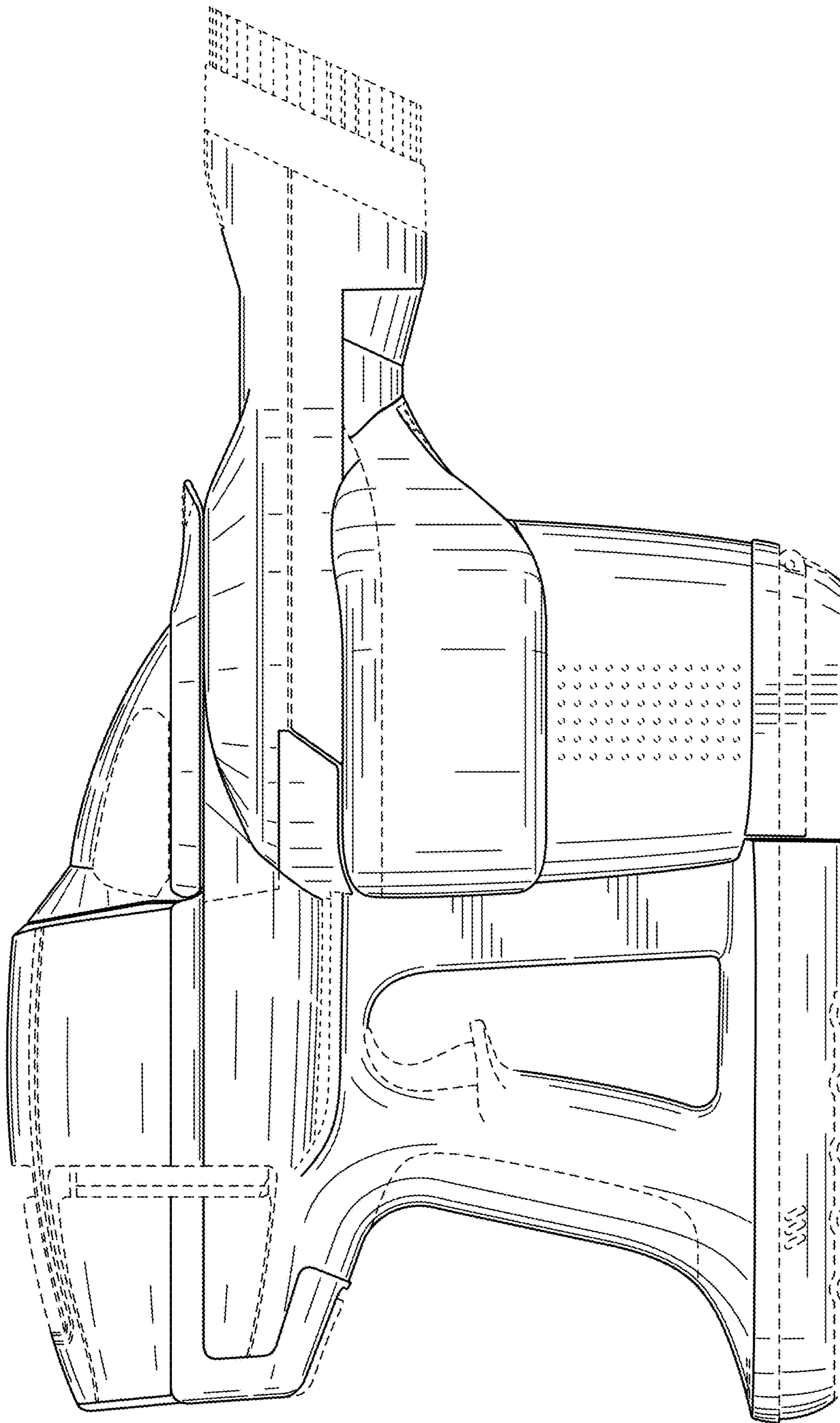


FIG. 5

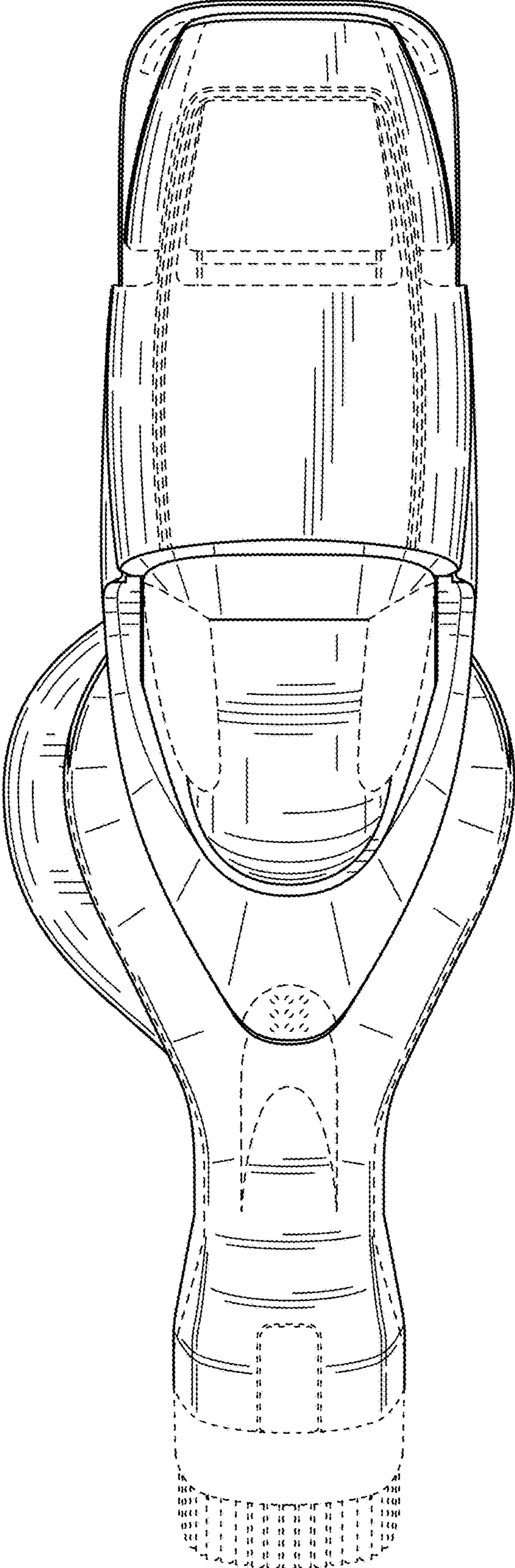


FIG. 6

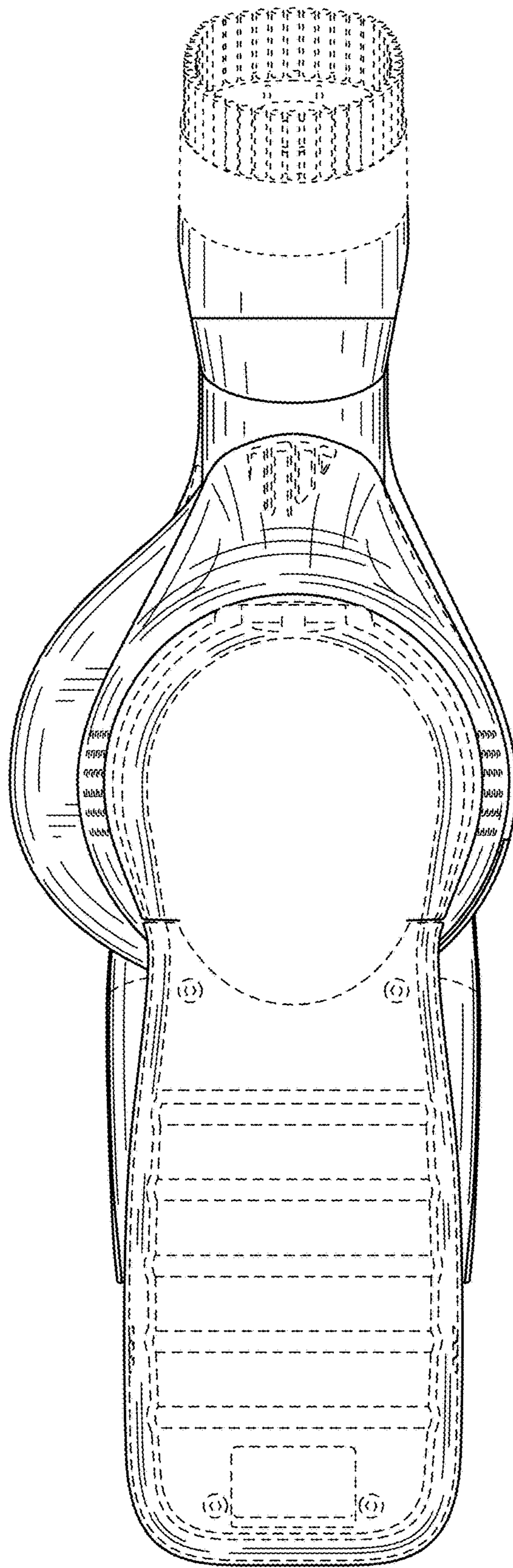


FIG. 7