

US00D792664S

(12) **United States Design Patent**
Nardo

(10) **Patent No.:** **US D792,664 S**
(45) **Date of Patent:** **** Jul. 18, 2017**

- (54) **BLOWER RAKE**
- (71) Applicant: **George W. Nardo**, Tuscon, AZ (US)
- (72) Inventor: **George W. Nardo**, Tuscon, AZ (US)
- (**) Term: **14 Years**
- (21) Appl. No.: **29/526,138**
- (22) Filed: **May 6, 2015**
- (51) **LOC (10) Cl.** **15-05**
- (52) **U.S. Cl.**
USPC **D32/15**
- (58) **Field of Classification Search**
USPC D8/13; D32/15, 32, 33, 25, 1
CPC A47L 1/06; A47L 1/16; A47L 1/00; B60S
3/04
See application file for complete search history.

D393,786	S *	4/1998	Hession	D8/13
5,991,973	A *	11/1999	Simpson	A47L 9/0673 15/344
6,041,463	A *	3/2000	Stauch	A46B 13/02 15/182
6,494,514	B1	12/2002	Stinnett et al.		
D504,597	S *	5/2005	Barajas	D8/13
D505,304	S *	5/2005	Conaway	D8/13
D514,902	S *	2/2006	Conaway	D8/13
7,814,615	B1	10/2010	Ries		
D636,548	S *	4/2011	Hoover	D32/49
8,042,223	B2	10/2011	Freewalt		
D734,903	S *	7/2015	Hames	D32/15
2002/0073680	A1 *	6/2002	Barajas	A01D 7/06 56/400.1
2009/0260175	A1 *	10/2009	Petersen	A47L 9/06 15/246
2014/0041356	A1	2/2014	Alfonsi		
2015/0020493	A1 *	1/2015	Stein	A01D 7/06 56/400.16

* cited by examiner

Primary Examiner — Michael A. Pratt
Assistant Examiner — Michelle E Wilson
(74) *Attorney, Agent, or Firm* — Richard L. Miller

(56) **References Cited**
U.S. PATENT DOCUMENTS

3,675,266	A *	7/1972	Murray	E01H 1/0836 15/340.1
D248,612	S *	7/1978	Oas	D8/13
D263,367	S *	3/1982	Fodor	D8/13
D270,105	S *	8/1983	Erickson	D32/42
4,776,158	A *	10/1988	Baum	A01D 7/10 294/50
4,945,604	A *	8/1990	Miner	A47L 5/14 15/344
4,987,731	A	1/1991	Cianciulli et al.		
5,054,159	A *	10/1991	Richardson	A47L 5/14 15/393
5,142,855	A *	9/1992	Guidarelli	A01D 7/06 56/400.06
D336,731	S *	6/1993	Nichols, Jr.	D8/382
5,272,858	A	12/1993	Bonis		
D359,207	S *	6/1995	Meiller	D8/13
D375,664	S *	11/1996	Zimmer	D8/13
D376,080	S *	12/1996	Hecht	D8/13
5,720,159	A *	2/1998	Dee	A01D 7/06 56/400.18

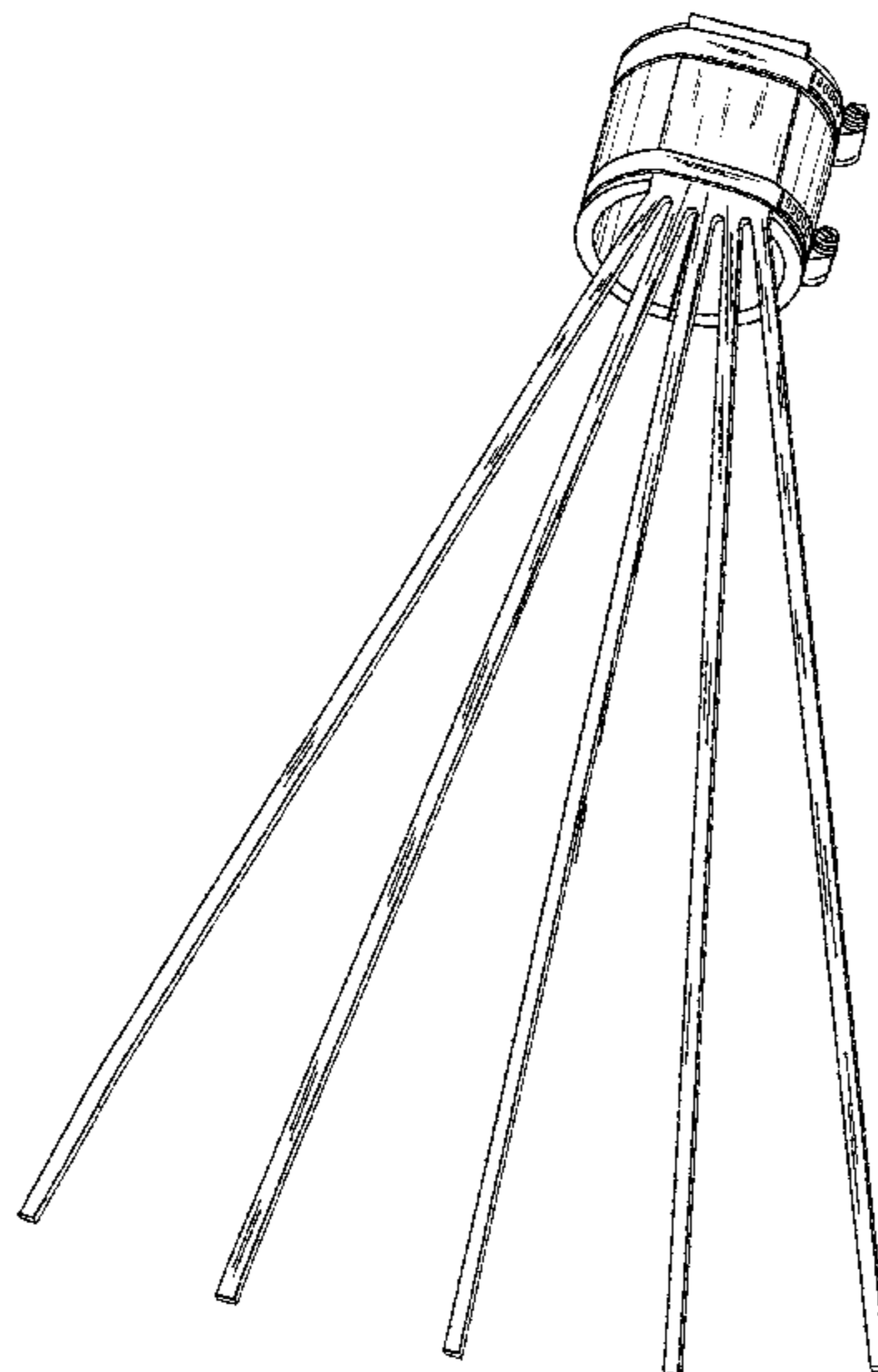
(57) **CLAIM**

The ornamental design for a blower rake, as shown and described.

DESCRIPTION

FIG. 1 is a perspective view of a blower rake showing my new design;
FIG. 2 is a top plan view thereof;
FIG. 3 is a bottom plan view thereof;
FIG. 4 is a left side elevational view thereof;
FIG. 5 is a right side elevational view thereof;
FIG. 6 is a front elevational view thereof; and,
FIG. 7 is a rear elevational view thereof.

1 Claim, 5 Drawing Sheets



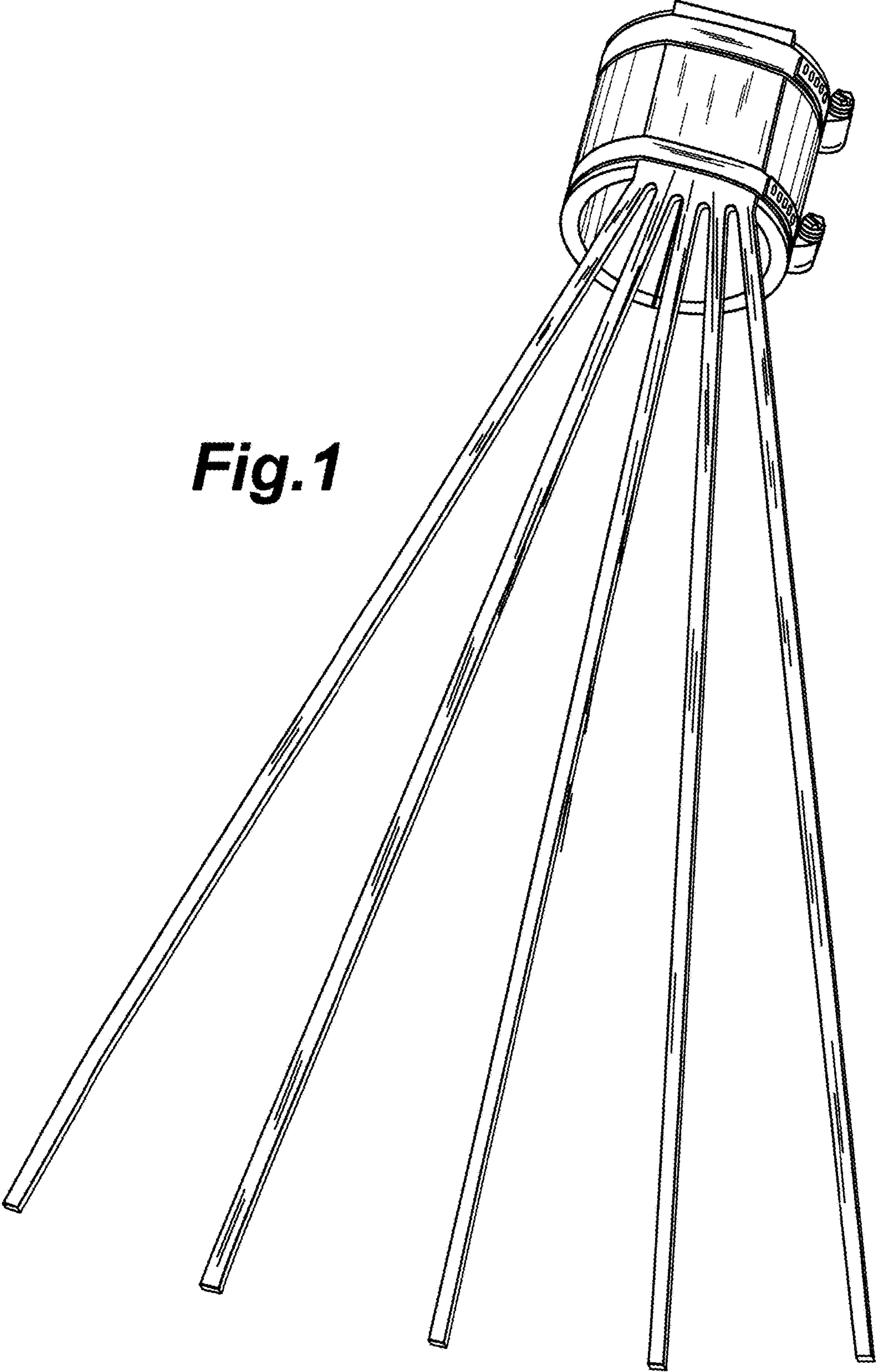


Fig. 1

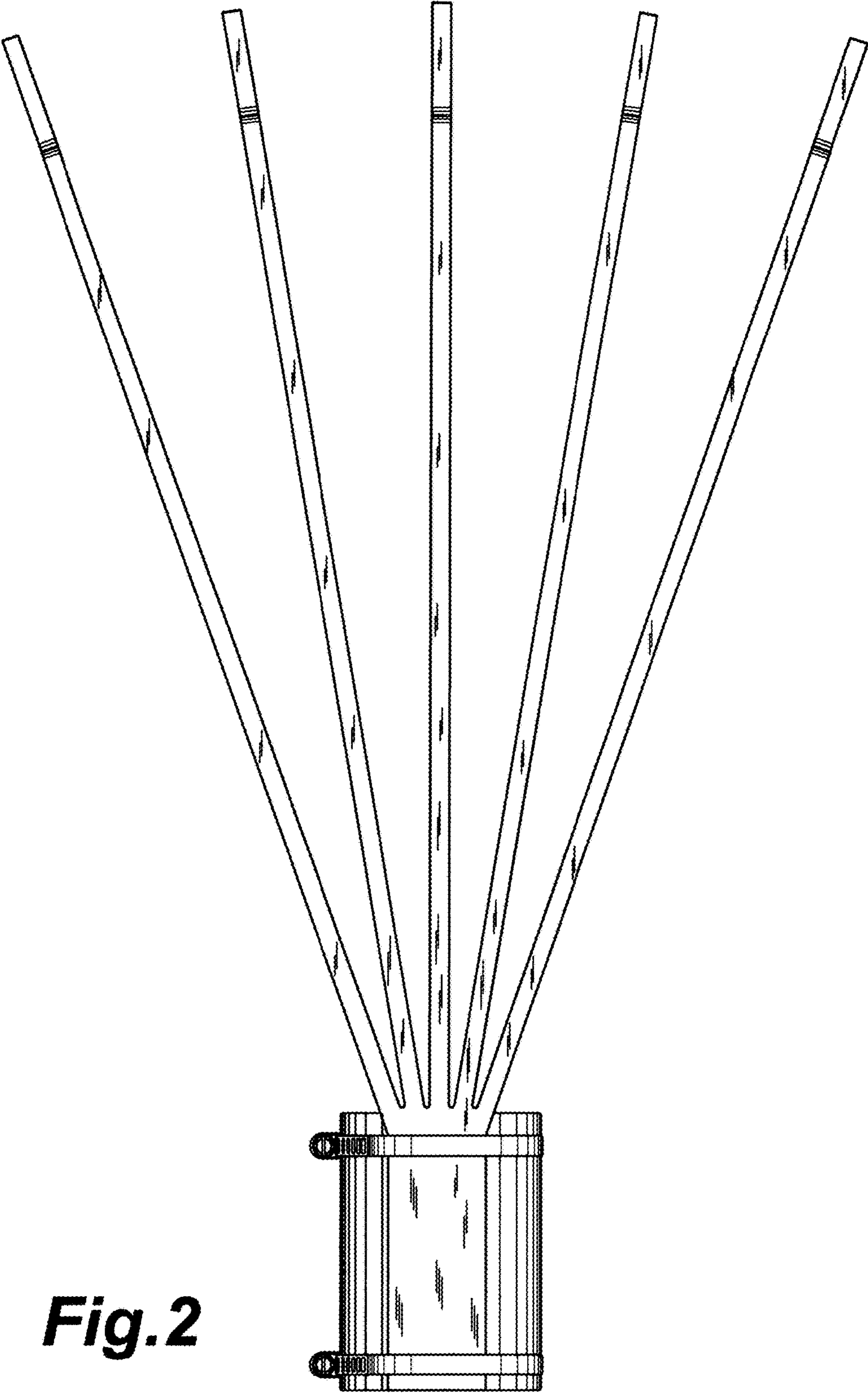


Fig. 2

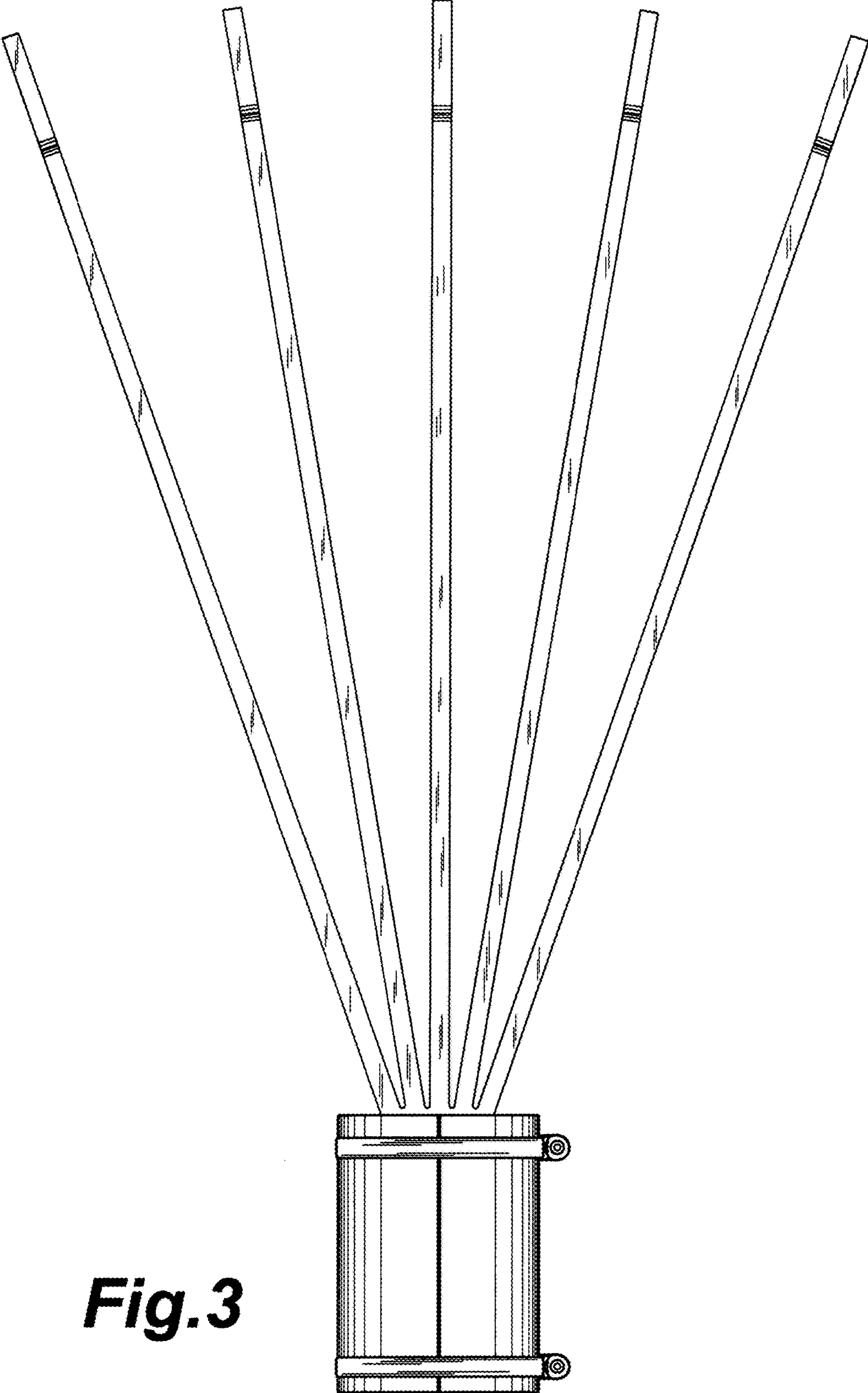


Fig. 3

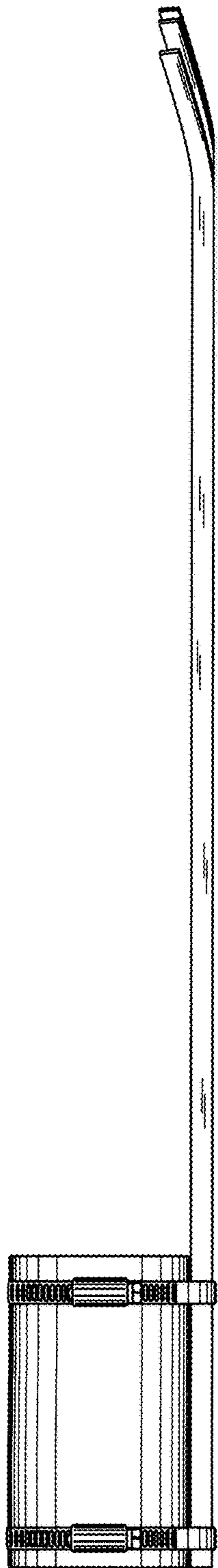


Fig.4

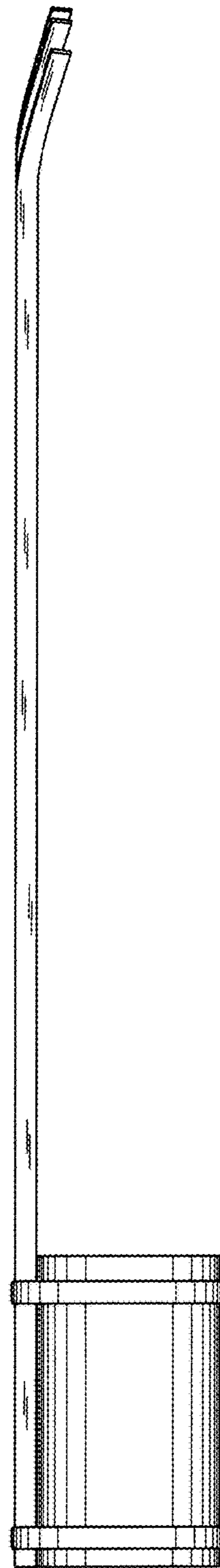


Fig.5

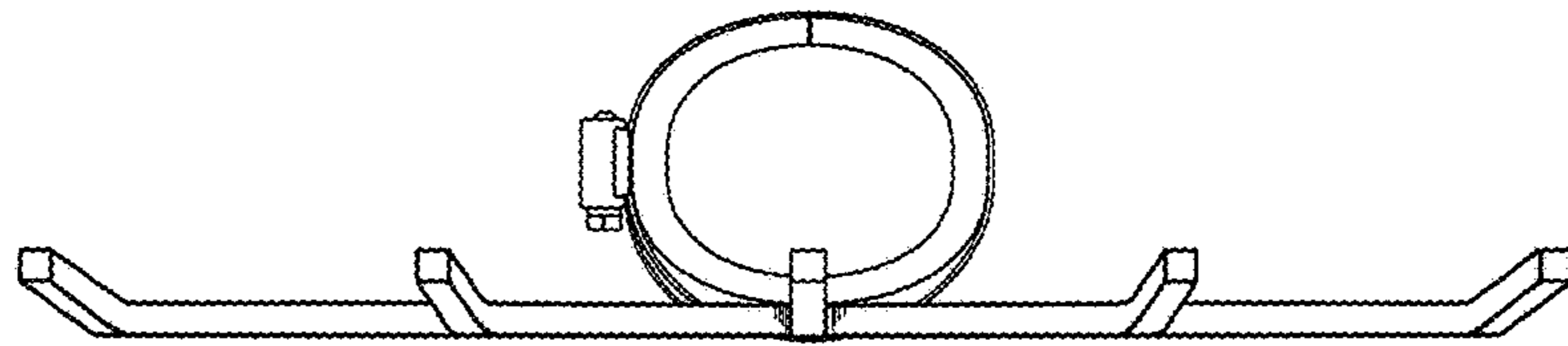


Fig.6

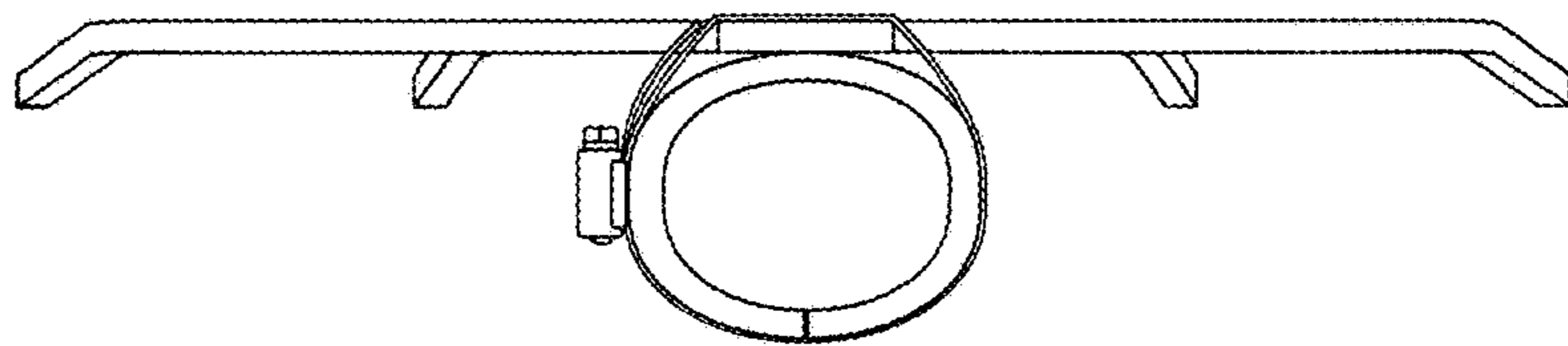


Fig.7