



US00D792662S

(12) **United States Design Patent** (10) **Patent No.:** **US D792,662 S**
Chen (45) **Date of Patent:** **** Jul. 18, 2017**

(54) **PET DRYER**

(71) Applicant: **Billy Chen**, Baldwin Park, CA (US)

(72) Inventor: **Billy Chen**, Baldwin Park, CA (US)

(**) Term: **15 Years**

(21) Appl. No.: **29/566,367**

(22) Filed: **May 27, 2016**

(51) **LOC (10) Cl.** **30-99**

(52) **U.S. Cl.**
USPC **D30/158**

(58) **Field of Classification Search**

USPC D30/158, 199; 119/606, 600, 601-605,
119/608, 609, 650, 651, 665, 668-678,
119/174, 448; D28/12-18, 25, 23, 21,
D28/30, 58, 54.1, 99; D23/382, 383,
D23/387, 223, 225; D32/1, 15, 16, 23,
D32/24, 35; 34/202, 201, 203-232, 666,
34/241, 242, 90, 93, 114, 595, 143, 95.1,
34/95.2, 96-98, 102, 105, 108, 113, 682,
34/585, 636, 239, 523, 128, 129;
43/124-130; 392/304, 379-384,
392/400-405; 219/240-242, 774, 778,
219/200, 201, 222, 225, 226, 255,
219/257-259, 267, 268, 385, 386, 428,
219/429, 433-436, 469, 470, 537, 538,
219/552, 553; 15/327.5, 344; 415/206;
604/315; D15/5

CPC A01K 13/00; A01K 13/001; A01K 13/003;
A61D 7/00; A61D 7/04; A61D 11/00;
A45D 20/00; A45D 20/04; A45D 20/08;
A45D 20/10; A45D 20/12; A45D 20/14;
A45D 20/16; A45D 1/04; A45D
2001/045; F26B 21/00; F26B 21/001;
F26B 21/002; F26B 21/003; F26B
21/004; F26B 21/006; F26B 3/082; F26B
13/104; F26B 13/108; F26B 19/00; F26B
19/005; F26B 9/003

See application file for complete search history.

(56) **References Cited**

U.S. PATENT DOCUMENTS

D43,011 S *	9/1912	Owen	D32/21
1,255,662 A *	2/1918	Sullivan	F02B 75/26 119/606
D96,197 S *	7/1935	Morse	D28/12
2,027,605 A *	1/1936	McCord	F24H 3/0417 248/126
2,112,747 A *	3/1938	Wood	H02K 1/185 29/596
D131,477 S *	3/1942	Howard	D23/317
D132,815 S *	6/1942	Stevens	D32/21
D135,577 S *	4/1943	Holthouse	126/110 B
2,353,247 A *	7/1944	Kuettel	F24H 3/0417 392/368
2,420,251 A *	5/1947	La Foriyes	A45D 20/22 297/180.14
2,429,733 A *	10/1947	Trent	F24H 3/0417 172/246
D152,841 S *	2/1949	Thompson et al.	D23/336
D153,542 S *	4/1949	Owens et al.	416/247 R

(Continued)

Primary Examiner — Susan Moon Lee

(74) *Attorney, Agent, or Firm* — Quickpatents, LLC;
Kevin Prince

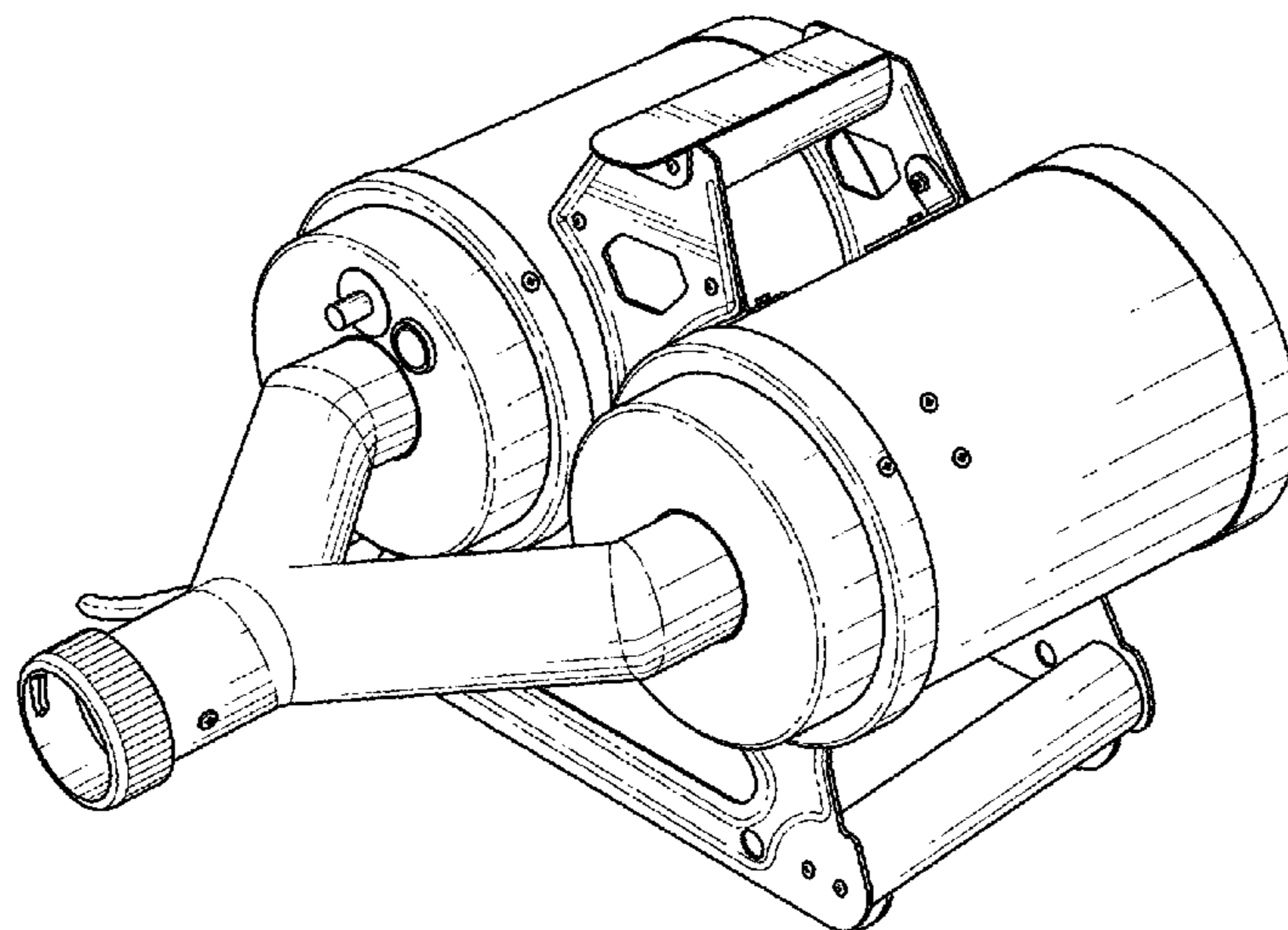
(57) **CLAIM**

I claim the ornamental design for a pet dryer, as shown and described.

DESCRIPTION

FIG. 1 is a perspective view of a pet dryer, showing my new design;
FIG. 2 is a front elevational view thereof;
FIG. 3 is a rear elevational view thereof;
FIG. 4 is a left-side elevational view thereof;
FIG. 5 is a right-side elevational view thereof;
FIG. 6 is a top plan view thereof; and,
FIG. 7 is a bottom plan view thereof.

1 Claim, 4 Drawing Sheets



(56)

References Cited

U.S. PATENT DOCUMENTS

2,496,232 A *	1/1950	Potter	A45D 20/44 248/185.1	D320,680 S *	10/1991	Stetson	15/104.001
2,552,470 A *	5/1951	Wahlberg	F24H 3/0417 392/368	D330,756 S *	11/1992	Davies, III	D23/338
D164,613 S *	9/1951	Wahlberg et al.	D23/336	D340,765 S *	10/1993	Joss	D23/332
D165,307 S *	11/1951	Sharp	280/839	D341,417 S *	11/1993	Wortham	D23/332
2,597,215 A *	5/1952	Wright	A45D 20/44 15/339	5,307,800 A *	5/1994	Lee, Jr.	F23C 3/00 126/110 B
2,713,627 A *	7/1955	Kamataris	A45D 20/10 34/97	D347,683 S *	6/1994	Chiu	D23/332
D180,961 S *	9/1957	Sherman	D23/317	5,419,059 A *	5/1995	Guasch	E04B 1/7092 15/405
D180,962 S *	9/1957	Sherman	432/30	5,555,643 A *	9/1996	Guasch	F26B 21/001 15/405
2,839,657 A *	6/1958	Mast	F24H 3/0417 200/61.52	5,848,585 A *	12/1998	Long	F24H 3/0488 126/110 B
2,898,691 A *	8/1959	Moseman	A01K 13/001 119/482	5,893,711 A *	4/1999	Vogelzang	F24H 1/06 126/110 B
3,052,987 A *	9/1962	Mercer	B22C 9/12 34/104	5,926,972 A *	7/1999	Di Peso	A01K 13/001 34/128
3,092,095 A *	6/1963	Hottenroth	B60H 1/2212 126/110 R	D421,296 S *	2/2000	Kemp	D23/314
D202,009 S *	8/1965	Schofield et al.	D23/317	D427,388 S *	6/2000	Sullivan	D30/158
D202,010 S *	8/1965	Schofield et al.	D23/317	D427,393 S *	6/2000	Bunch	D32/8
3,261,107 A *	7/1966	Ponczek	H02K 7/145 15/315	6,142,141 A *	11/2000	Long	F24H 3/0488 126/110 B
3,364,917 A *	1/1968	Woollen, Jr.	F24H 3/0488 126/110 R	6,152,128 A *	11/2000	Willey	F24H 3/0488 126/110 B
3,378,065 A *	4/1968	Mitchell	F26B 21/00 165/122	D447,795 S *	9/2001	Hudson	D23/314
3,393,903 A *	7/1968	Berglund, Jr.	F24H 9/1881 432/223	6,305,325 B1 *	10/2001	Sullivan	A01K 13/001 119/600
3,401,920 A *	9/1968	Berkhoudt	F23C 99/00 431/186	D467,326 S *	12/2002	Shapiro	D23/336
3,418,452 A *	12/1968	Grabner	A47K 10/48 34/97	D483,455 S *	12/2003	Leslie	D23/335
3,645,512 A *	2/1972	Dent	F24H 9/1881 126/110 C	D483,456 S *	12/2003	Leslie	D23/335
3,794,461 A *	2/1974	Brazee	F24H 3/0488 432/222	6,681,760 B2 *	1/2004	Topp	F23D 14/00 126/110 B
3,998,581 A *	12/1976	Hemingway	F23R 3/346 431/158	6,772,722 B2 *	8/2004	Young	F23D 14/34 123/142.5 E
4,081,238 A *	3/1978	Briggs	F24C 5/20 137/544	6,898,867 B1 *	5/2005	VanderPyl	F26B 21/10 34/446
4,089,642 A *	5/1978	Briggs	F24H 3/0488 126/110 B	6,925,728 B2 *	8/2005	Busa	A45D 20/50 34/92
D253,074 S *	10/1979	Wistrand	D28/16	D541,916 S *	5/2007	Noyer	D23/314
4,201,544 A *	5/1980	Briggs	F24H 3/0488 417/350	7,270,098 B2 *	9/2007	Young	B60H 1/2206 123/142.5 R
D256,273 S *	8/1980	Townsend	D23/336	D573,703 S *	7/2008	Gosselin	D23/332
D257,904 S *	1/1981	Hamm, Jr.	D28/12	D578,193 S *	10/2008	Lo	D23/332
4,244,349 A *	1/1981	Velie	F24H 9/1881 126/110 C	D598,526 S *	8/2009	Pitchford	D23/317
4,313,417 A *	2/1982	Briggs	F24H 3/0488 126/110 B	D604,399 S *	11/2009	Aregger	D23/317
4,443,187 A *	4/1984	Shaftner	F24H 3/0488 126/110 B	D617,434 S *	6/2010	Aregger	D23/314
4,532,914 A *	8/1985	Thomas	F23D 11/40 126/110 B	D639,516 S *	6/2011	Christensen	D30/158
4,718,375 A *	1/1988	Krieger	A01K 13/008 119/678	8,011,114 B2 *	9/2011	Johnson	F26B 21/001 15/300.1
4,739,206 A *	4/1988	Sieber	F16M 7/00 228/177	D661,385 S *	6/2012	Fuerling	D23/314
D305,464 S *	1/1990	Rickard	D28/12	8,201,551 B1 *	6/2012	Lee, Jr.	F24H 3/0488 126/104 R
4,897,023 A *	1/1990	Bingler	F04D 29/628 310/89	D663,814 S *	7/2012	Cassell	D23/317
4,934,069 A *	6/1990	Kagi	A01K 13/001 34/523	D663,815 S *	7/2012	Cassell	D23/317
D309,049 S *	7/1990	Sid	D30/158	D670,796 S *	11/2012	Cassell	D23/317
4,977,690 A *	12/1990	Davis, Jr.	F26B 21/001 119/606	D670,797 S *	11/2012	Cassell	D23/317
D318,106 S *	7/1991	Arold	D23/314	D670,798 S *	11/2012	Cassell	D23/317
D318,326 S *	7/1991	Arold	D23/314	D672,444 S *	12/2012	Smith	D23/317
D319,694 S *	9/1991	Wortham	D23/336	D672,445 S *	12/2012	Smith	D23/317
				D672,446 S *	12/2012	Smith, III	D23/317
				D686,713 S *	7/2013	Kimpara	D23/332
				D687,137 S *	7/2013	Nemes	D23/332
				D693,068 S *	11/2013	Tan	D30/158
				8,622,737 B2 *	1/2014	Babington	F23C 6/045 431/351
				8,631,767 B1 *	1/2014	Sack	A01K 13/001 119/600
				D726,977 S *	4/2015	Lin	D32/8
				D743,015 S *	11/2015	Arnold	D23/317
				D743,016 S *	11/2015	Arnold	D23/317
				D745,056 S *	12/2015	Eybergen	D15/5
				9,587,829 B1 *	3/2017	Deng	F23N 5/00
				2006/0068622 A1 *	3/2006	Gisler-Reinhard	F24H 9/1863 439/108
				2008/0006215 A1 *	1/2008	Denison	A01K 13/001 119/600

(56)

References Cited

U.S. PATENT DOCUMENTS

2008/0006216	A1 *	1/2008	Denison	A01K 13/001 119/600
2008/0006217	A1 *	1/2008	Denison	A01K 13/001 119/600
2008/0006218	A1 *	1/2008	Denison	A01K 13/001 119/600
2008/0006219	A1 *	1/2008	Denison	A01K 13/001 119/600
2008/0006220	A1 *	1/2008	Denison	A01K 13/001 119/600
2008/0006221	A1 *	1/2008	Denison	A01K 13/001 119/600
2008/0006222	A1 *	1/2008	Denison	A01K 13/001 119/600
2011/0268429	A1 *	11/2011	Vandrak	F24H 3/0488 392/365
2012/0031347	A1 *	2/2012	Denison	A01K 13/001 119/606
2017/0049076	A1 *	2/2017	Takla	A01K 13/001

* cited by examiner

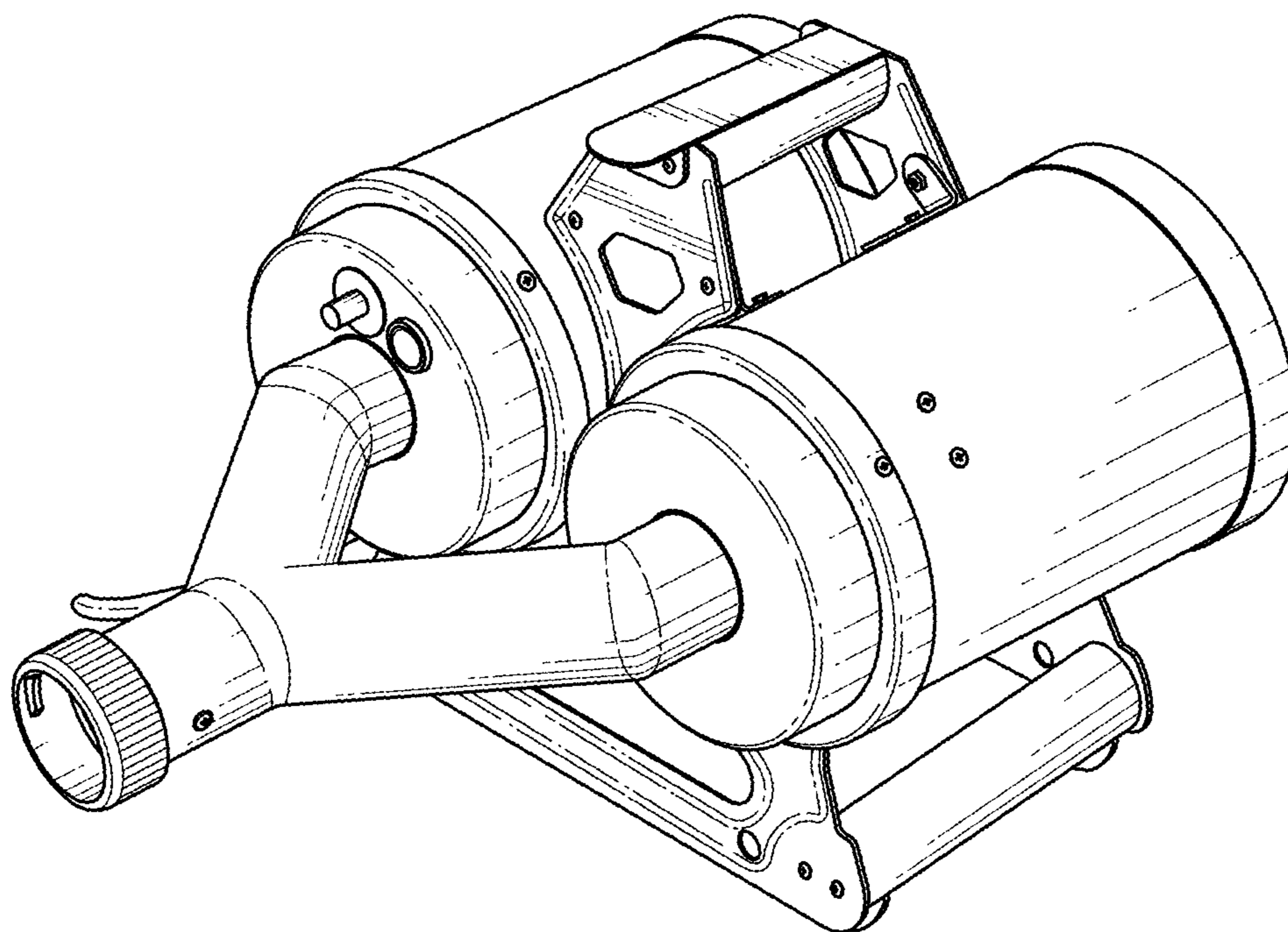


FIG. 1

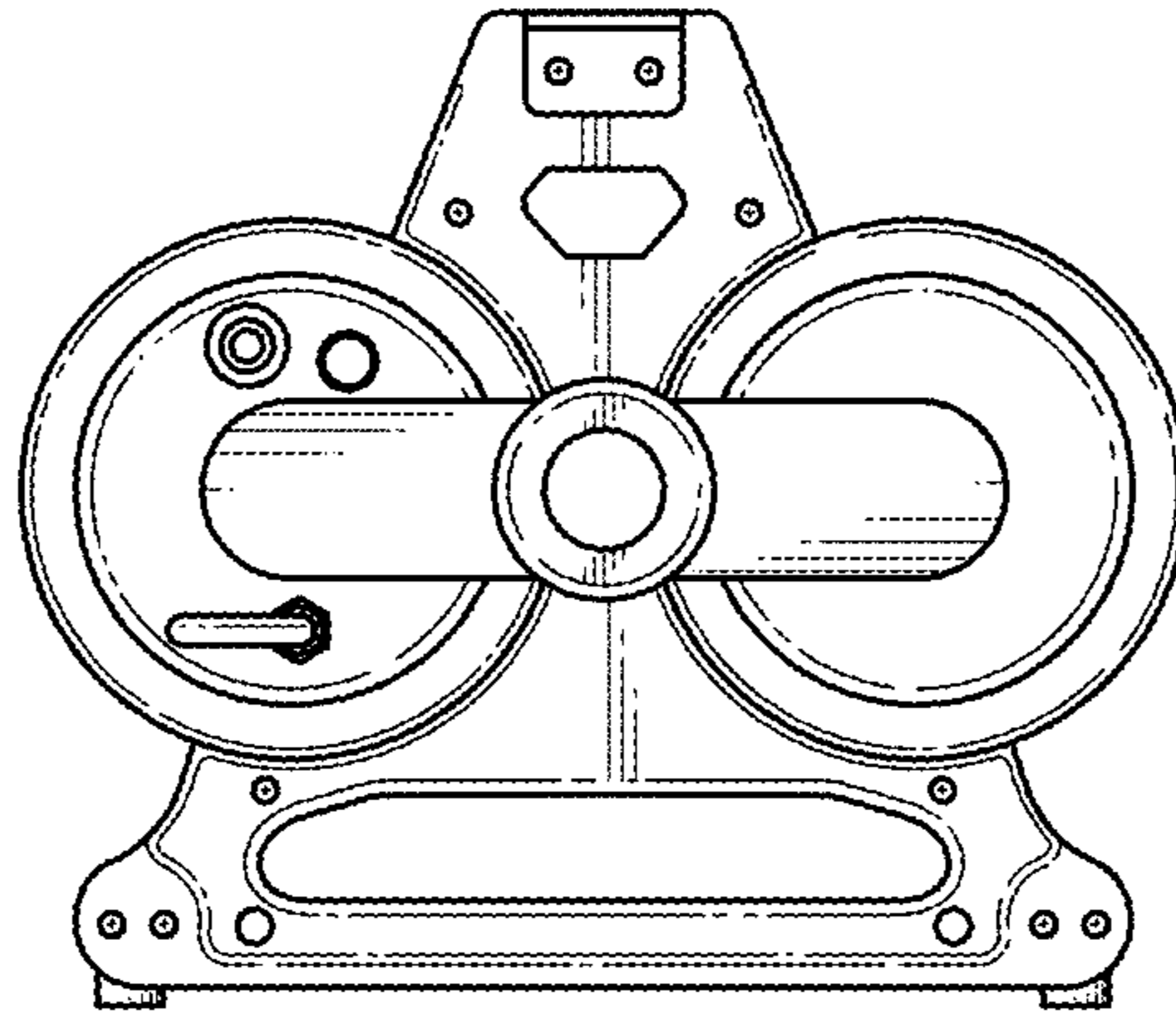


FIG. 2

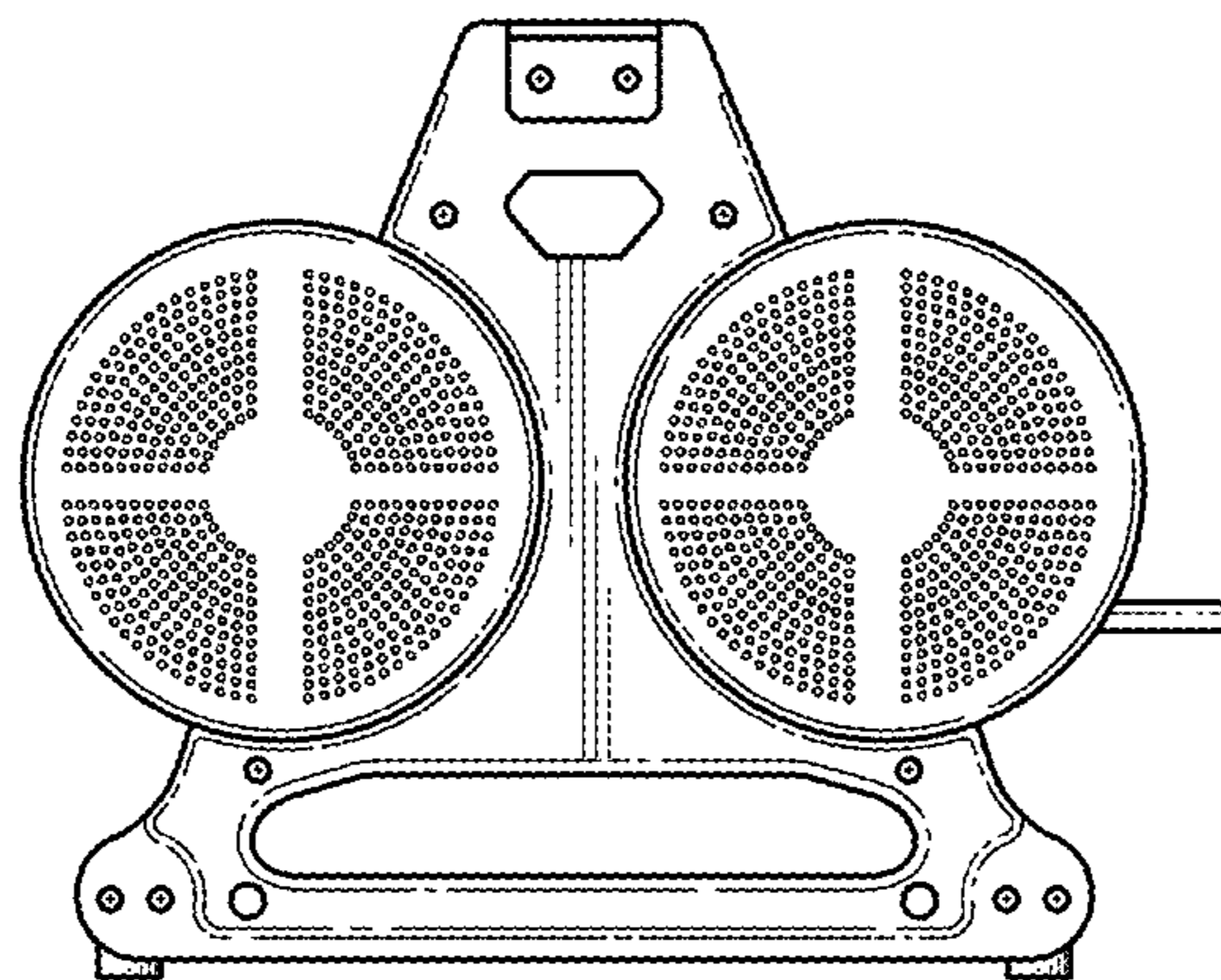


FIG. 3

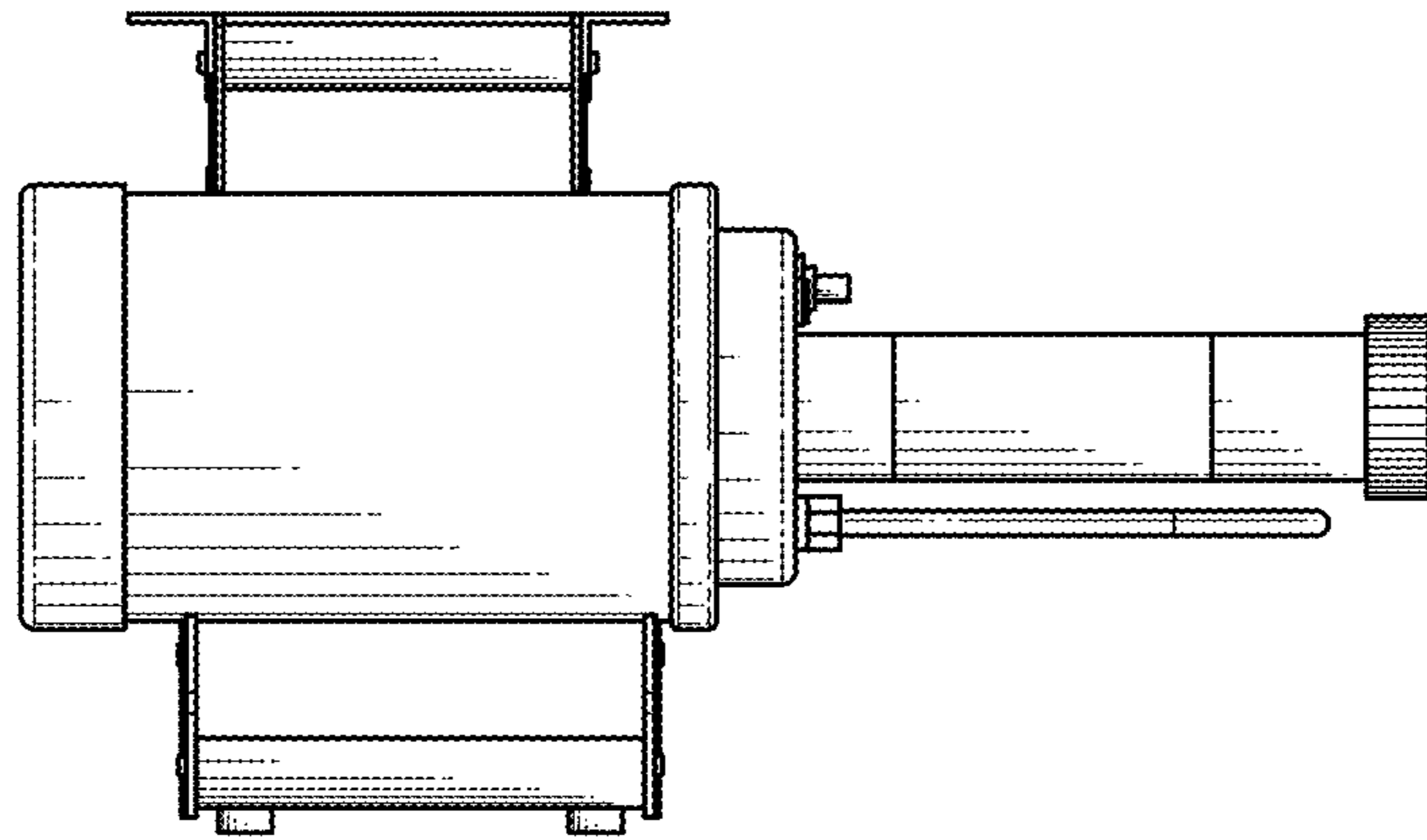


FIG. 4

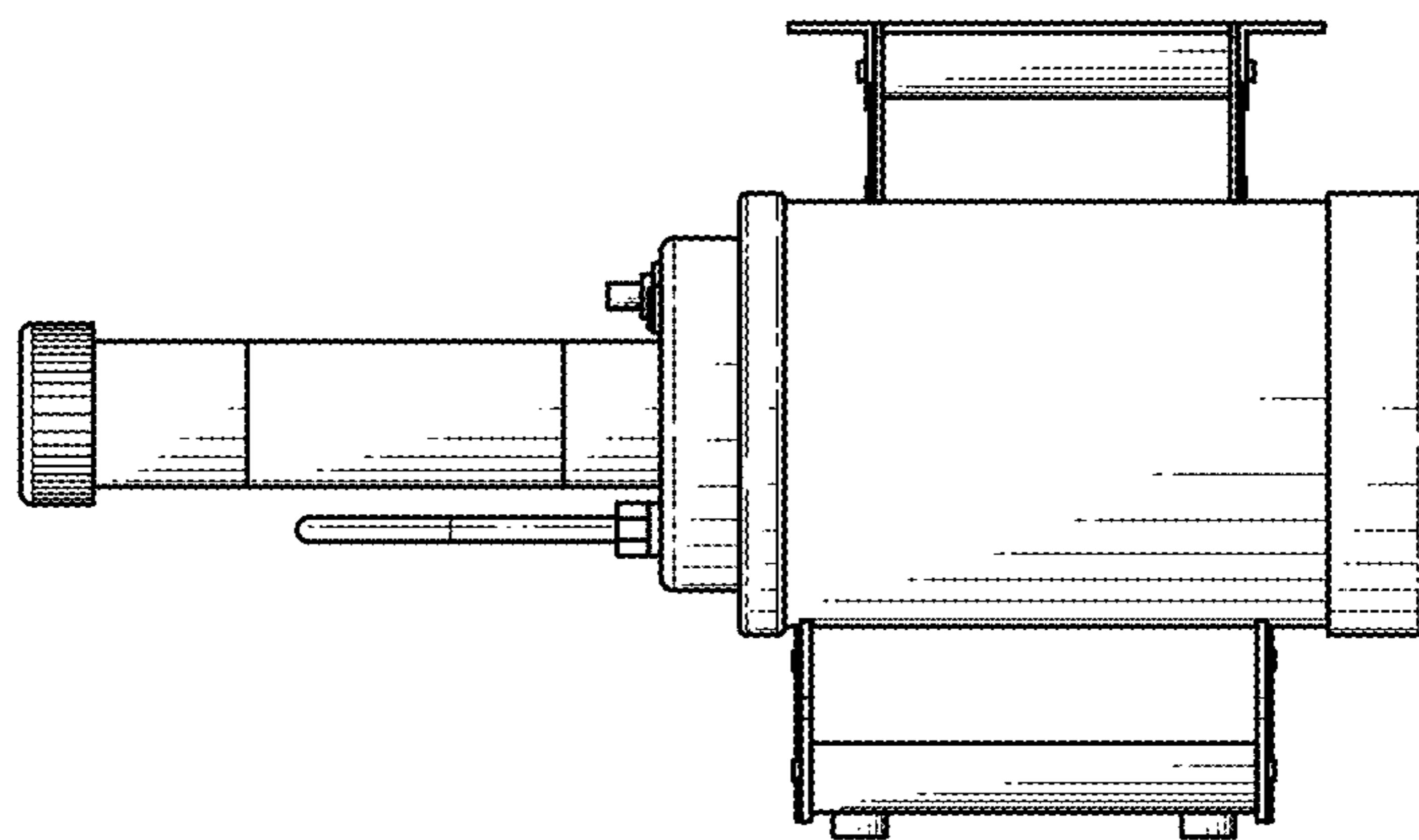


FIG. 5

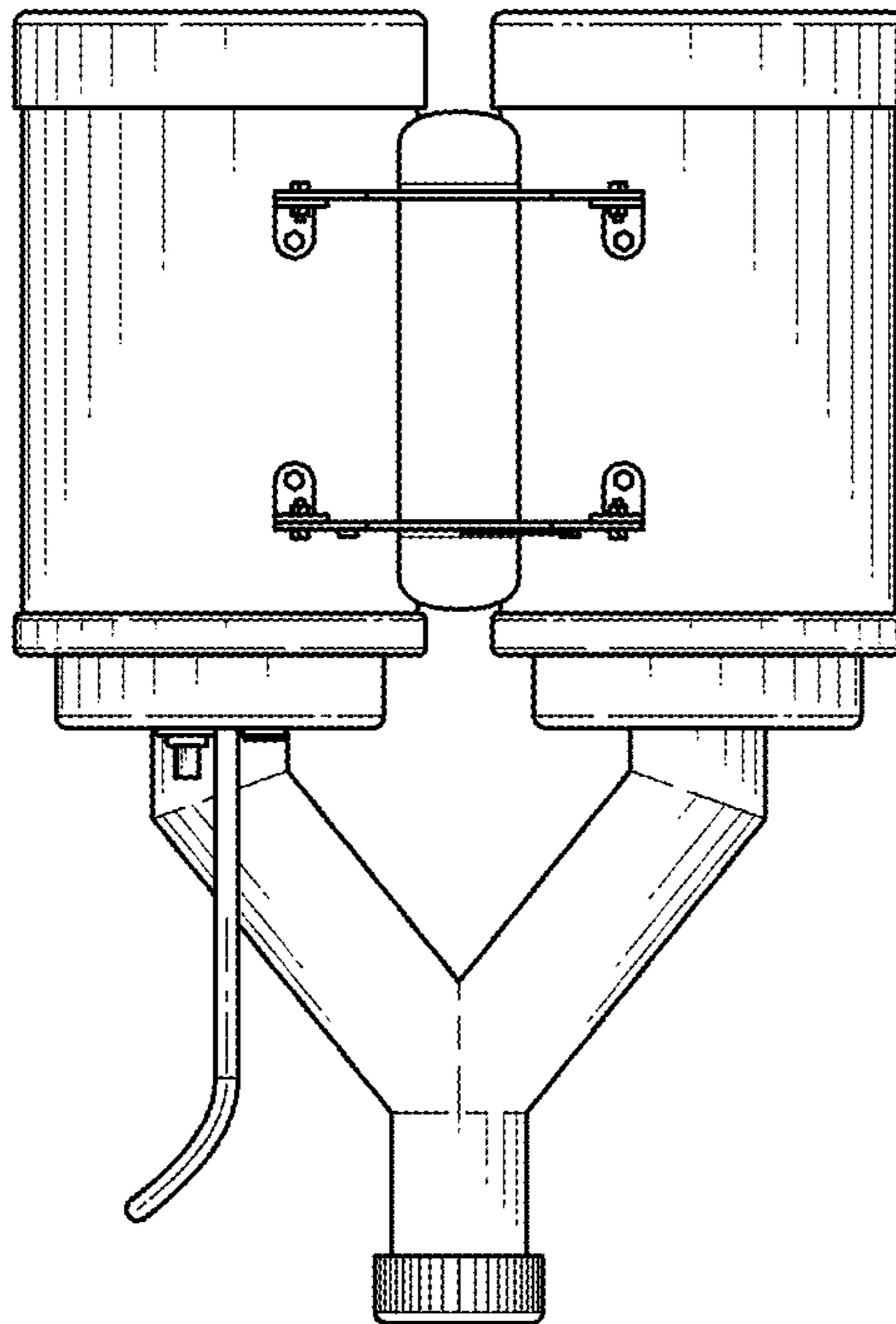


FIG. 6

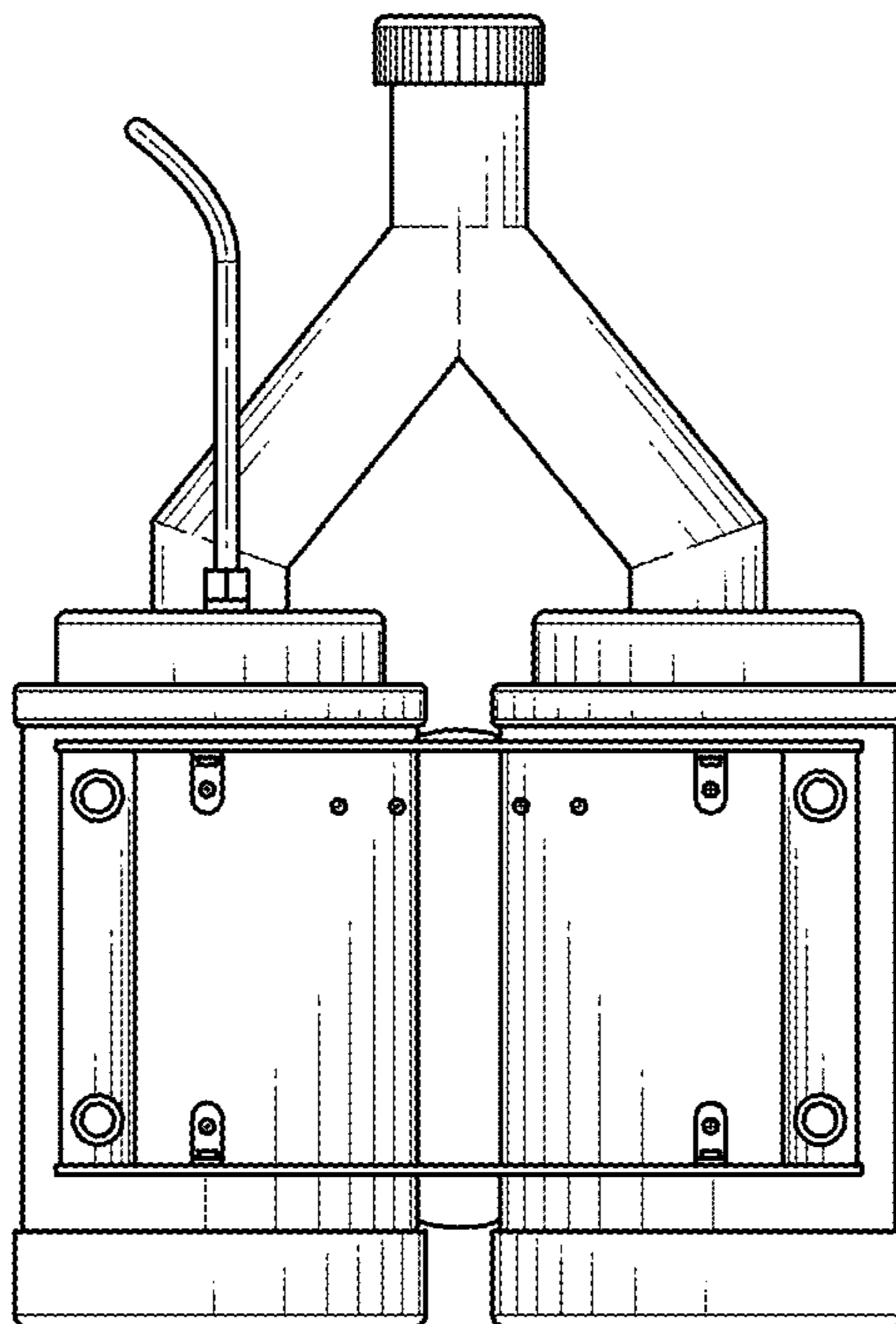


FIG. 7