



US00D792660S

(12) **United States Design Patent**
Wold

(10) **Patent No.:** **US D792,660 S**
(45) **Date of Patent:** **** Jul. 18, 2017**

(54) **FOLDING ANIMAL SUSTENANCE
RECEPTACLE**

(71) Applicant: **CleanFeed, LLC**, Jamaica Plain, MA
(US)

(72) Inventor: **Joseph S. Wold**, Jamaica Plain, MA
(US)

(73) Assignee: **CleanFeed, LLC**, Jamaica Plain, MA
(US)

(**) Term: **15 Years**

(21) Appl. No.: **29/555,910**

(22) Filed: **Feb. 25, 2016**

(51) **LOC (10) Cl.** **30-03**

(52) **U.S. Cl.**

USPC **D30/133; D30/129; D30/121**

(58) **Field of Classification Search**

USPC D30/133, 121, 128, 130, 132; 119/52.1,
119/55, 61.5, 61.6, 61.57, 61.56, 51.01,
119/51.5, 58, 60, 61.1, 61.2, 61.31, 61.54,
119/72, 74, 76, 81; D6/564, 598, 316,
D6/480-485; 248/188; 312/204;
108/153.1-157; D11/134, 52, 82, 100,
D11/127, 144, 149, 158, 205, 207, 217,
D11/219, 224, 239, 14, 31; D21/617;
D7/551.3, 544; D27/116; D20/30, 19,
D20/24, 12, 42; 211/37, 38, 42
CPC A01K 5/00; A01K 5/01; A01K 5/0107;
A01K 5/0114; A01K 5/0121; A01K
5/0128; A01K 5/0135; A01K 7/005;
A01K 7/00

See application file for complete search history.

(56) **References Cited**

U.S. PATENT DOCUMENTS

401,569 A * 4/1889 Long A63H 1/06
446/248
D48,887 S * 4/1916 Foster D11/158

D49,141 S * 6/1916 Foster D11/158
D55,838 S * 7/1920 Badgley D21/425
D56,672 S * 11/1920 Miller 211/33
D56,675 S * 11/1920 Miller D11/158
D62,176 S * 4/1923 Webb D21/592

(Continued)

OTHER PUBLICATIONS

Modern Ironworks company Metal Art Dog Feeders, <https://modernironworks.com/collections/dog-feeders-floor-standing>,
<https://modernironworks.com/collections/dog-feeders-wall-mounted>, 2017, 4 pages.*

Primary Examiner — Susan Moon Lee

(74) *Attorney, Agent, or Firm* — Cochran Freund &
Young LLP; Paul M. Thompson

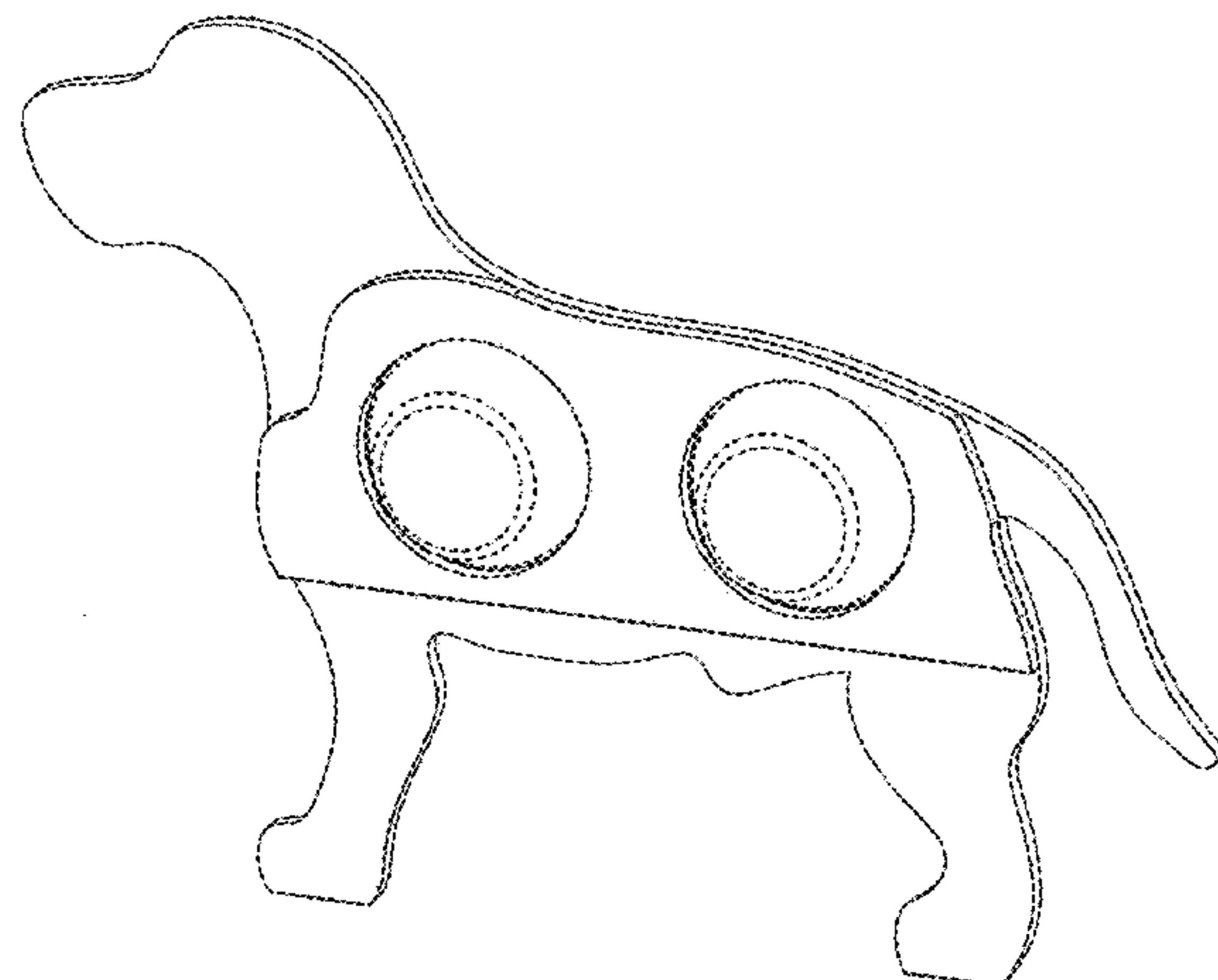
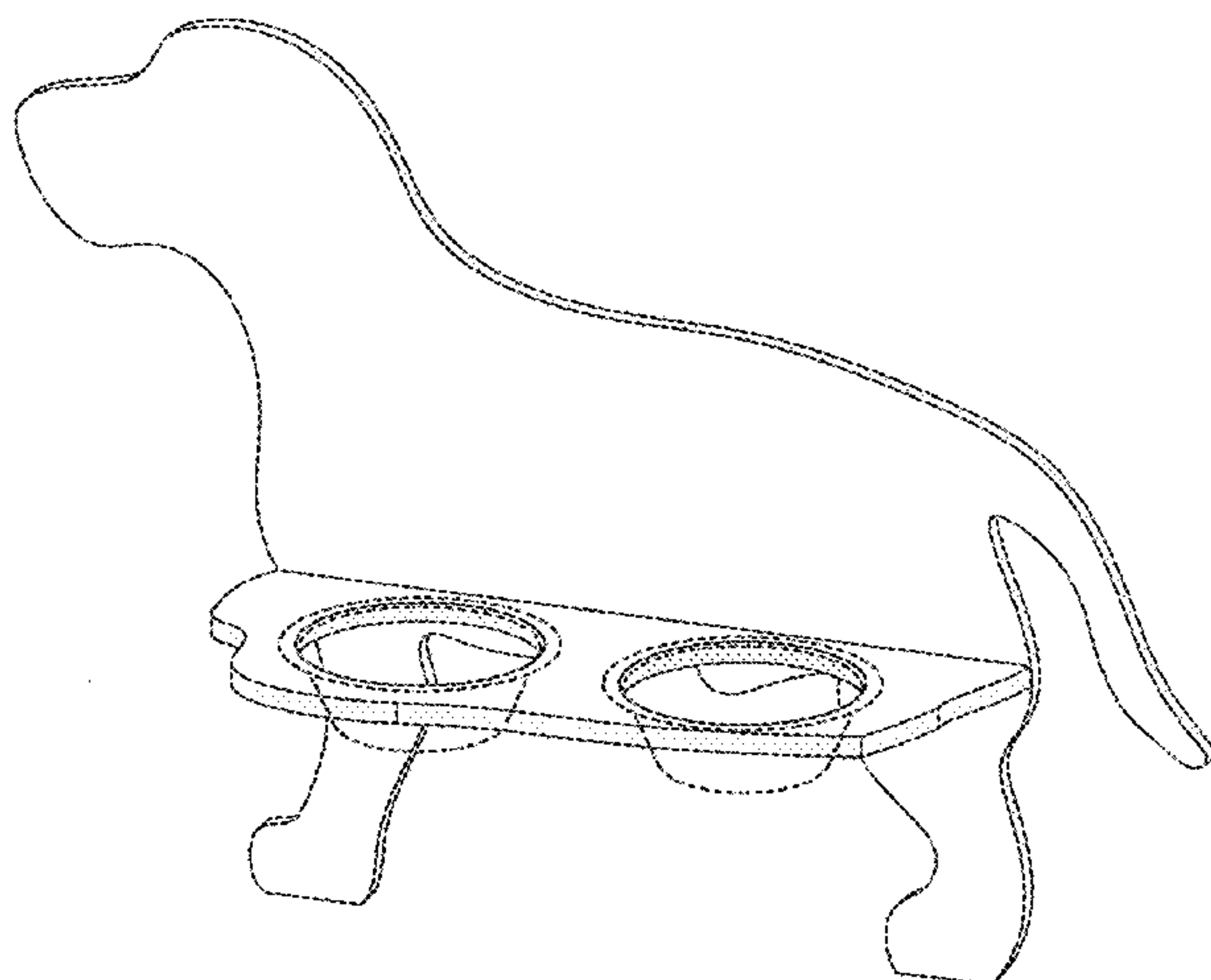
(57) **CLAIM**

I claim the ornamental design for a folding animal sustenance receptacle, as shown and described.

DESCRIPTION

FIG. 1 is an isometric view of a folding animal sustenance receptacle showing my new design in an open configuration. FIG. 2 is a front elevation view thereof. FIG. 3 is a rear elevation view thereof. FIG. 4 is a left side elevation view thereof. FIG. 5 is a right side elevation view thereof. FIG. 6 is a top plan view thereof. FIG. 7 is a bottom plan view thereof. FIG. 8 is an isometric view of the folding animal sustenance receptacle shown in a folded configuration; FIG. 9 is a front elevation view thereof; FIG. 10 is a top plan view thereof; and, FIG. 11 is a right side elevation view thereof. The illustrative broken line showing of bowls throughout the drawing figures depicts exemplary components which might be used with the foldable animal sustenance receptacle and forms no part of the claimed design.

1 Claim, 8 Drawing Sheets



(56)

References Cited

U.S. PATENT DOCUMENTS

1,666,018	A *	4/1928	Mayette	A63G 13/00	280/1.13
D77,299	S *	12/1928	De Vilbiss	D7/551.3	
D80,984	S *	4/1930	Weamer	D21/617	
D87,145	S *	6/1932	Camp	D21/617	
D90,053	S *	5/1933	Snyder	D27/116	
D91,627	S *	2/1934	Hunt	D7/551.3	
D93,780	S *	11/1934	MacKay	D6/598	
D93,971	S *	12/1934	Clark	D11/134	
D102,781	S *	1/1937	Harrington	D27/116	
D134,046	S *	10/1942	Wilkinson	D6/564	
D143,943	S *	2/1946	Von Baumann	D19/29	
D147,716	S *	10/1947	Birkhahn	D11/158	
D151,473	S *	10/1948	Stahler	D30/130	
2,496,951	A *	2/1950	Menzin	A63H 9/00	403/107
2,555,396	A *	6/1951	Cosner	A01K 5/0114	119/51.5
2,659,345	A *	11/1953	Herbert	A01K 5/0114	119/28.5
D171,459	S *	2/1954	Petter	D11/44	
D171,644	S *	3/1954	Etienne	248/908	
D172,960	S *	9/1954	Frazin	D30/118	
D178,232	S *	7/1956	Frazin	D11/144	
D187,728	S *	4/1960	Golkowski	D11/158	
D192,844	S *	5/1962	Mariani	D27/116	
D206,807	S *	1/1967	Deane	D11/134	
D209,754	S *	1/1968	Robert	D30/133	
3,776,193	A *	12/1973	Post, Sr.	A01K 5/0114	119/51.5
D276,759	S *	12/1984	Inspector	D2/979	
4,650,701	A *	3/1987	Jackson	A63H 9/00	156/61
D293,947	S *	1/1988	Yunker	D30/130	
D298,690	S *	11/1988	Sass	D3/18	
D306,839	S *	3/1990	Young	D11/134	
D307,562	S *	5/1990	Young	D11/134	
D307,563	S *	5/1990	Young	D11/134	
D308,472	S *	6/1990	Goetz	D21/618	
D319,901	S *	9/1991	Steiner	D11/158	
5,144,912	A *	9/1992	Hammett	A01K 5/01	119/51.5
D331,174	S *	11/1992	Polski	D7/621	
5,222,990	A *	6/1993	Elliott	A01K 5/0114	119/51.5
D342,350	S *	12/1993	Gower	D30/133	
D358,233	S *	5/1995	Weaver	D30/133	
D358,605	S *	5/1995	Weems	D19/29	
D367,886	S *	3/1996	Dutton, Jr.	D11/159	
5,501,176	A *	3/1996	Tully	A01K 5/0114	119/61.57
D372,304	S *	7/1996	Emery	D21/617	
D409,665	S *	5/1999	Wiseman	D10/109.1	
D416,446	S *	11/1999	Ning	D30/118	
D421,160	S *	2/2000	Akopdjanov	D30/133	
D423,730	S *	4/2000	Knauff	D30/121	
D424,620	S *	5/2000	Prusia	D19/82	
D426,021	S *	5/2000	Freeman	D28/8.2	
D426,073	S *	6/2000	Leon	D21/617	
D435,704	S *	12/2000	Friberg	D30/118	
D441,801	S *	5/2001	Wells	D20/17	
D443,390	S *	6/2001	Freeman	D28/8.2	
D449,718	S *	10/2001	Friberg	D30/118	
D465,621	S *	11/2002	Dunn	D30/162	
D506,295	S *	6/2005	Hammer	119/55	
D518,113	S *	3/2006	Lensvelt	D21/428	
D544,553	S *	6/2007	Lensvelt	D21/592	
D559,476	S *	1/2008	Rutherford	D21/611	
D565,257	S *	3/2008	Cusick	D30/154	
D583,272	S *	12/2008	Court	D11/52	
D611,534	S *	3/2010	Voss et al.	D19/40	
D622,013	S *	8/2010	Aho	D30/133	
D642,842	S *	8/2011	Stoekler	D11/134	
D657,920	S *	4/2012	Rivera, Sr.	D30/121	
D676,756	S *	2/2013	Betts	D9/601	
D683,190	S *	5/2013	Shields	D30/129	
D683,592	S *	6/2013	Shields	D30/129	
D684,484	S *	6/2013	Chastaingt	D10/34	
8,464,659	B1 *	6/2013	Batman	A01K 5/0114	119/61.56
D686,784	S *	7/2013	Elliott	D30/133	
D701,909	S *	4/2014	Pascale	D19/99	
D705,565	S *	5/2014	Schraufnagel	D6/513	
D711,052	S *	8/2014	Lee	A01K 5/0114	D30/121
D720,387	S *	12/2014	Stoudemire	D16/307	
9,288,967	B1 *	3/2016	Wampler	A01K 5/0114	
D756,571	S *	5/2016	Colvin	D30/121	
D758,906	S *	6/2016	Rabassa	D10/126	
2006/0000418	A1 *	1/2006	Kubala	A01K 5/0233	119/53
2016/0088815	A1 *	3/2016	Maroske	A01K 5/0114	119/51.01
2016/0316715	A1 *	11/2016	Diamond	F16M 11/24	

* cited by examiner

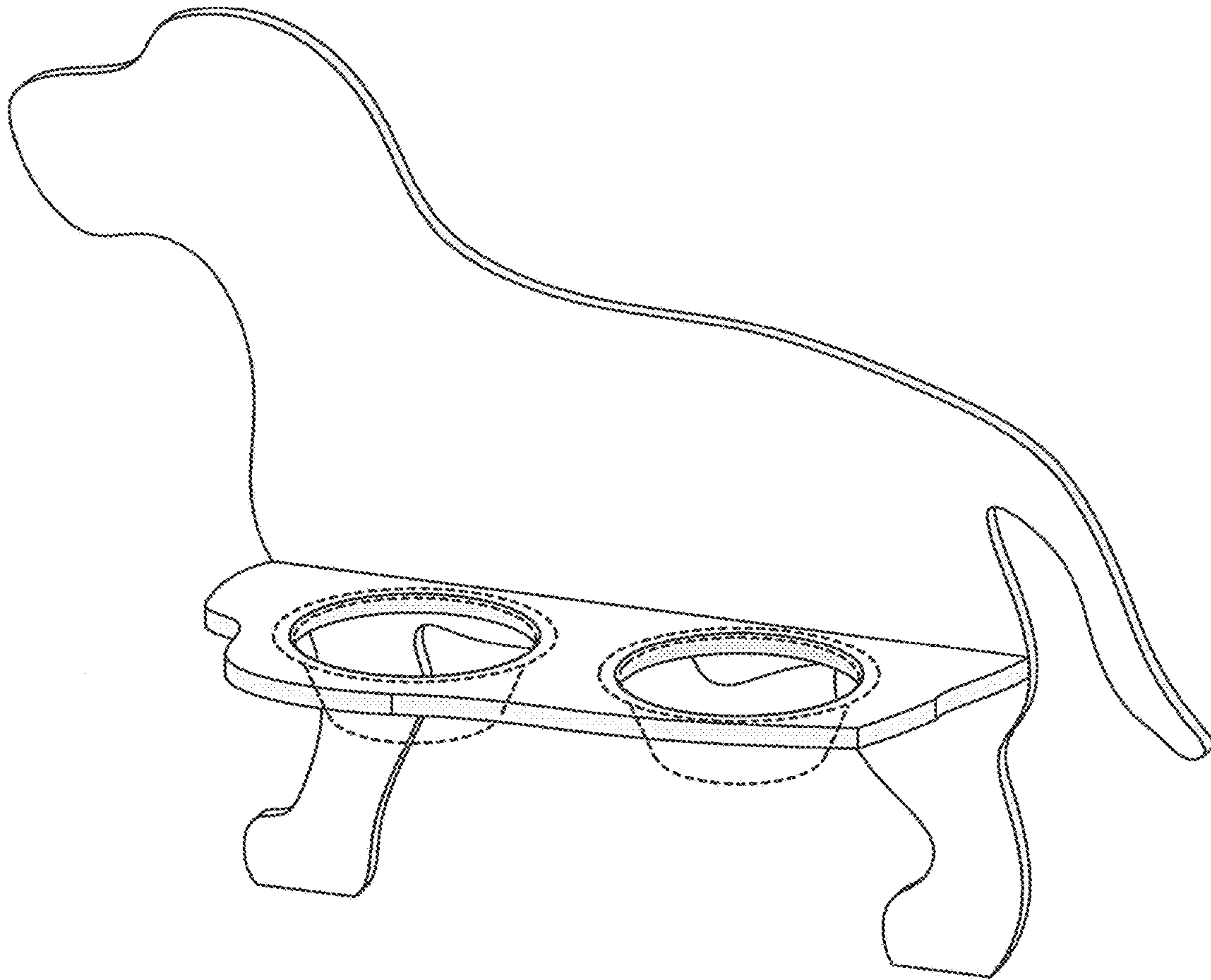


Figure 1

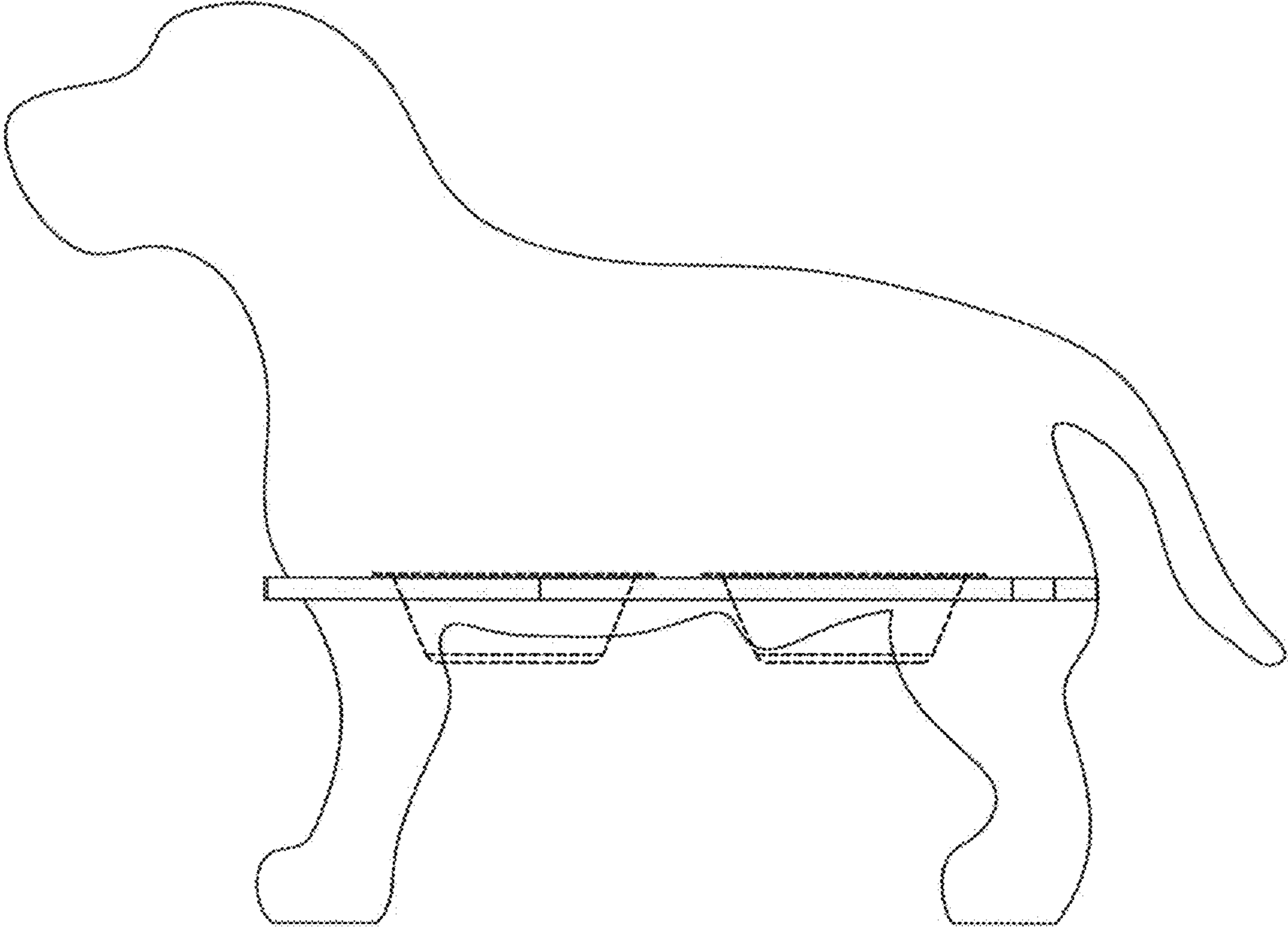


Figure 2

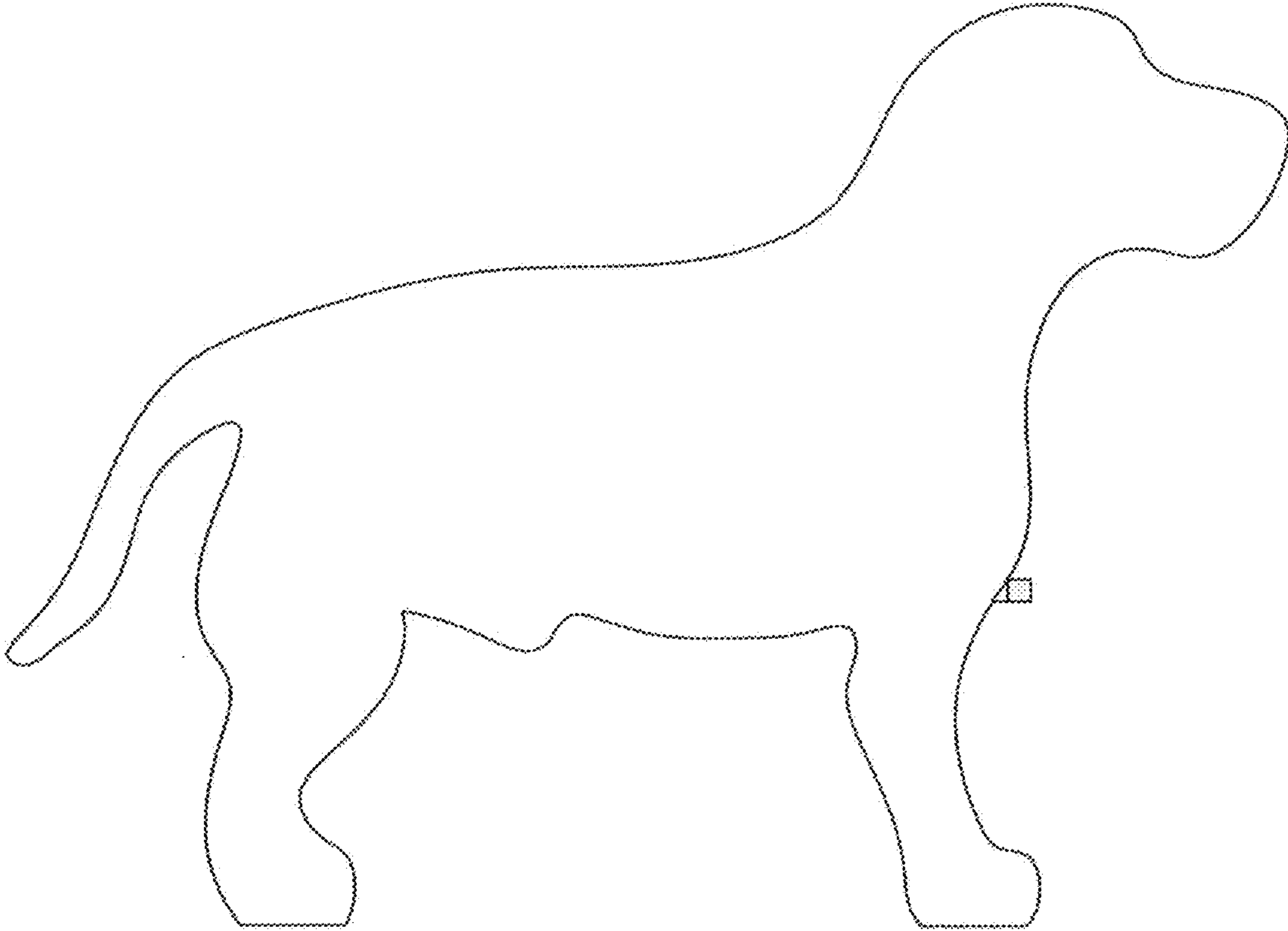


Figure 3

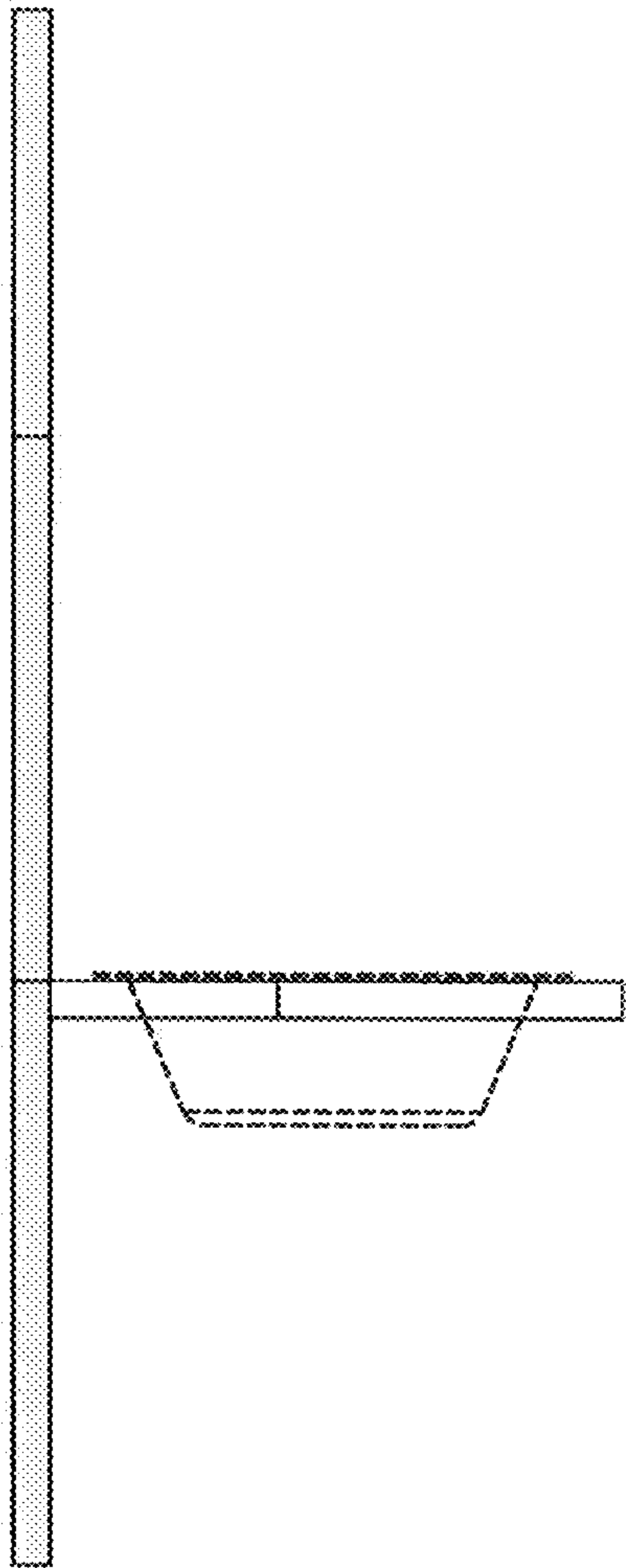


Figure 4

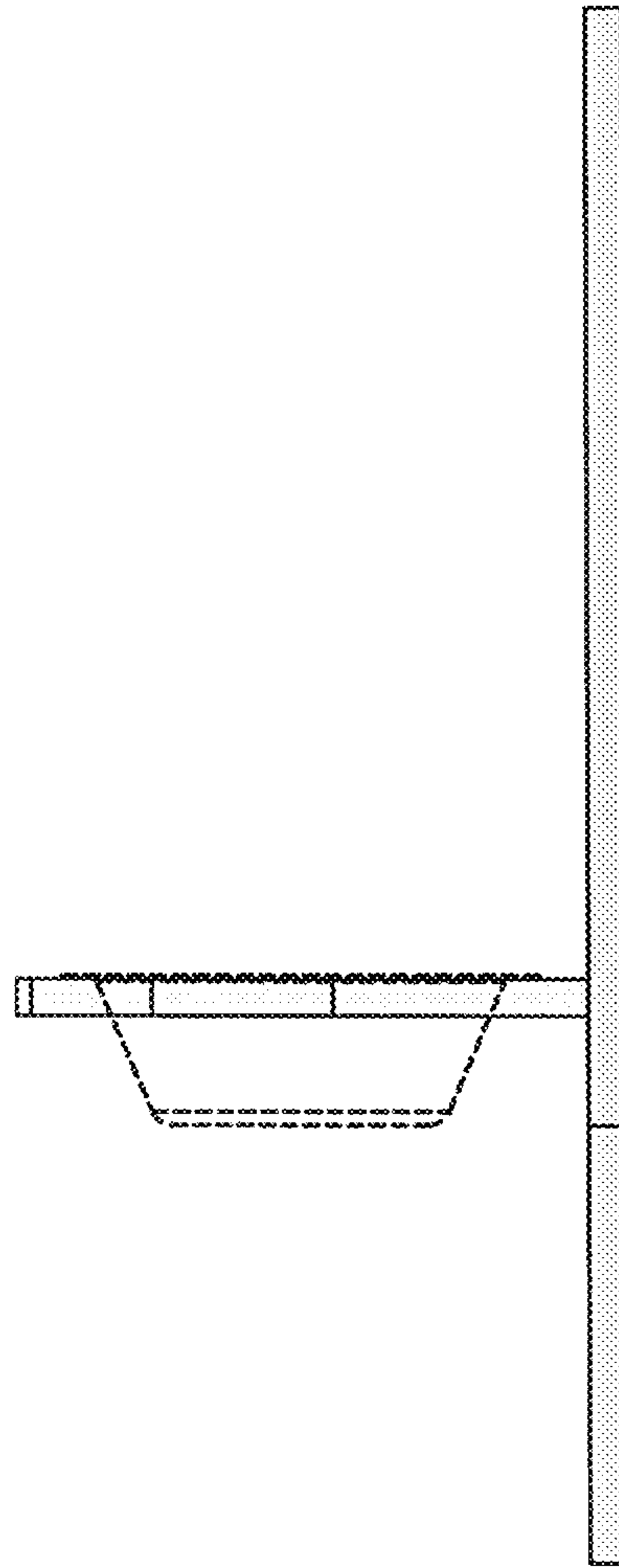


Figure 5

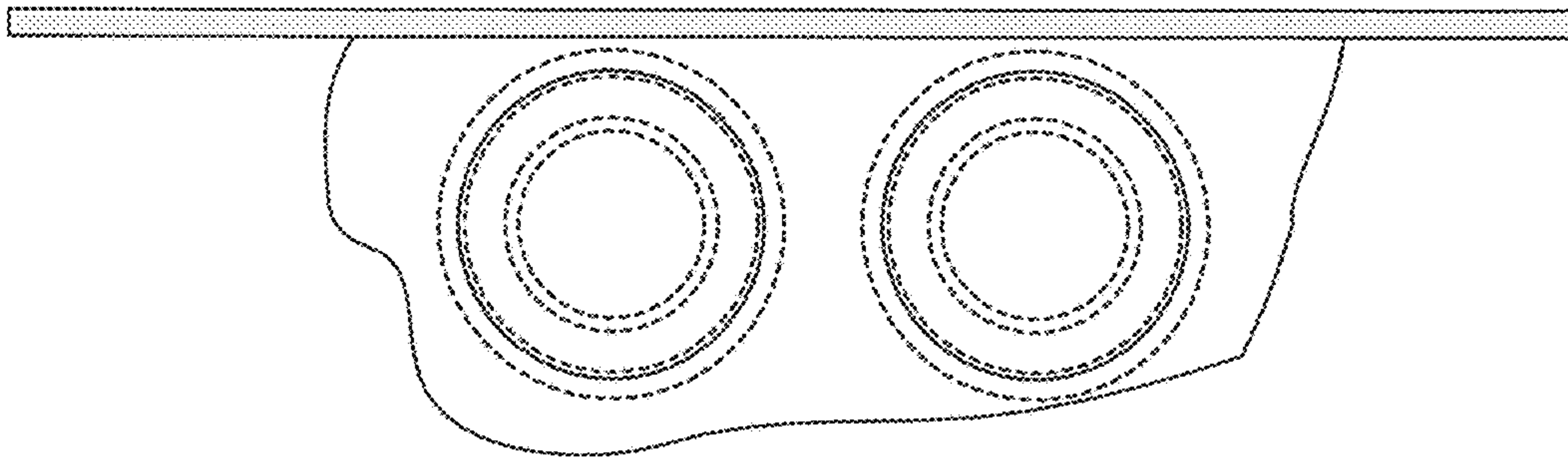


Figure 6

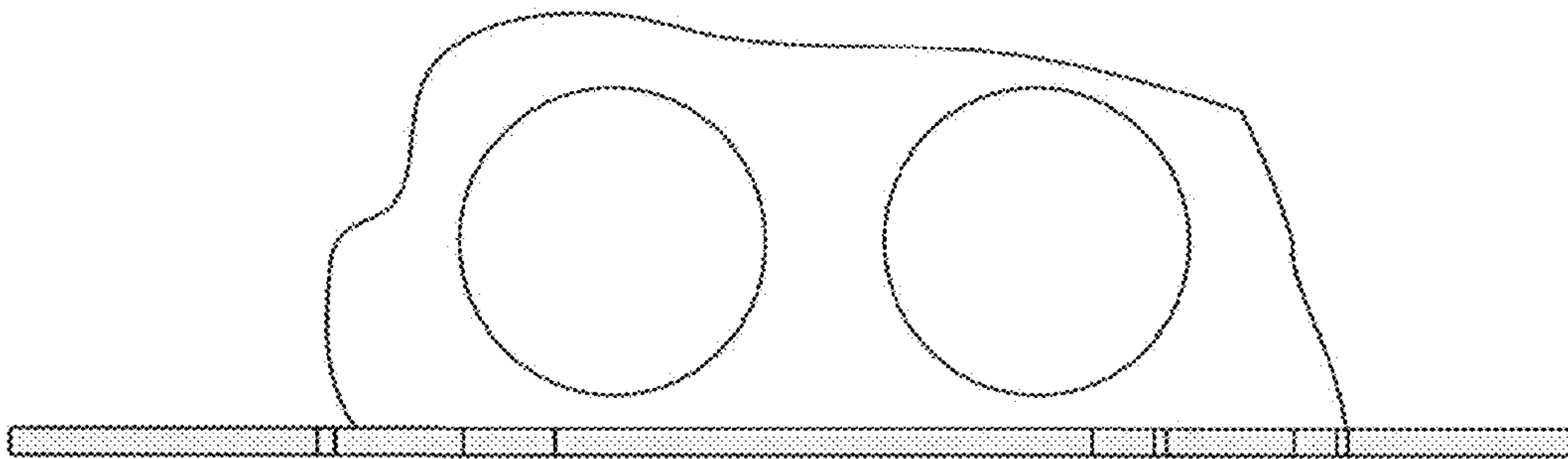


Figure 7

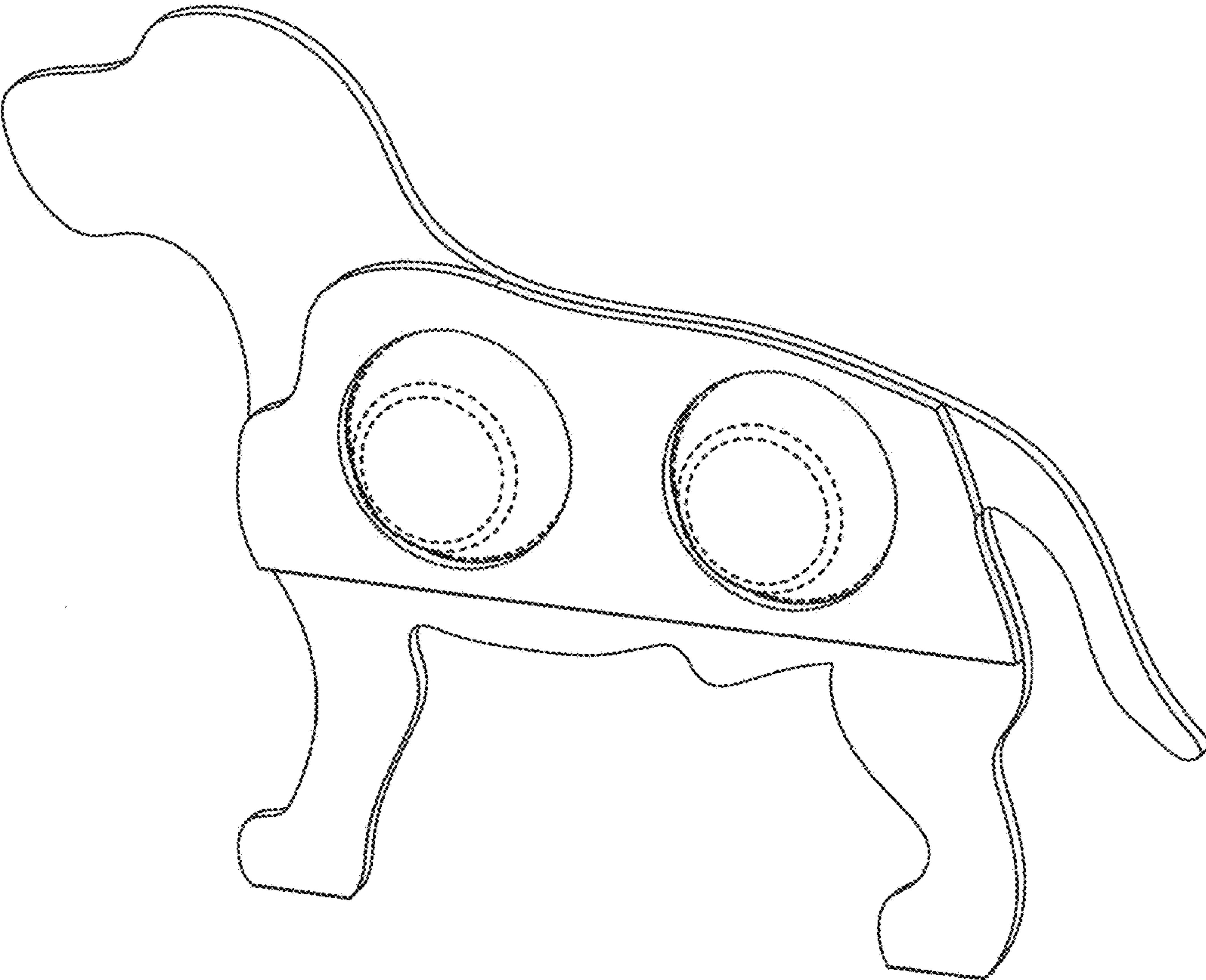


Figure 8

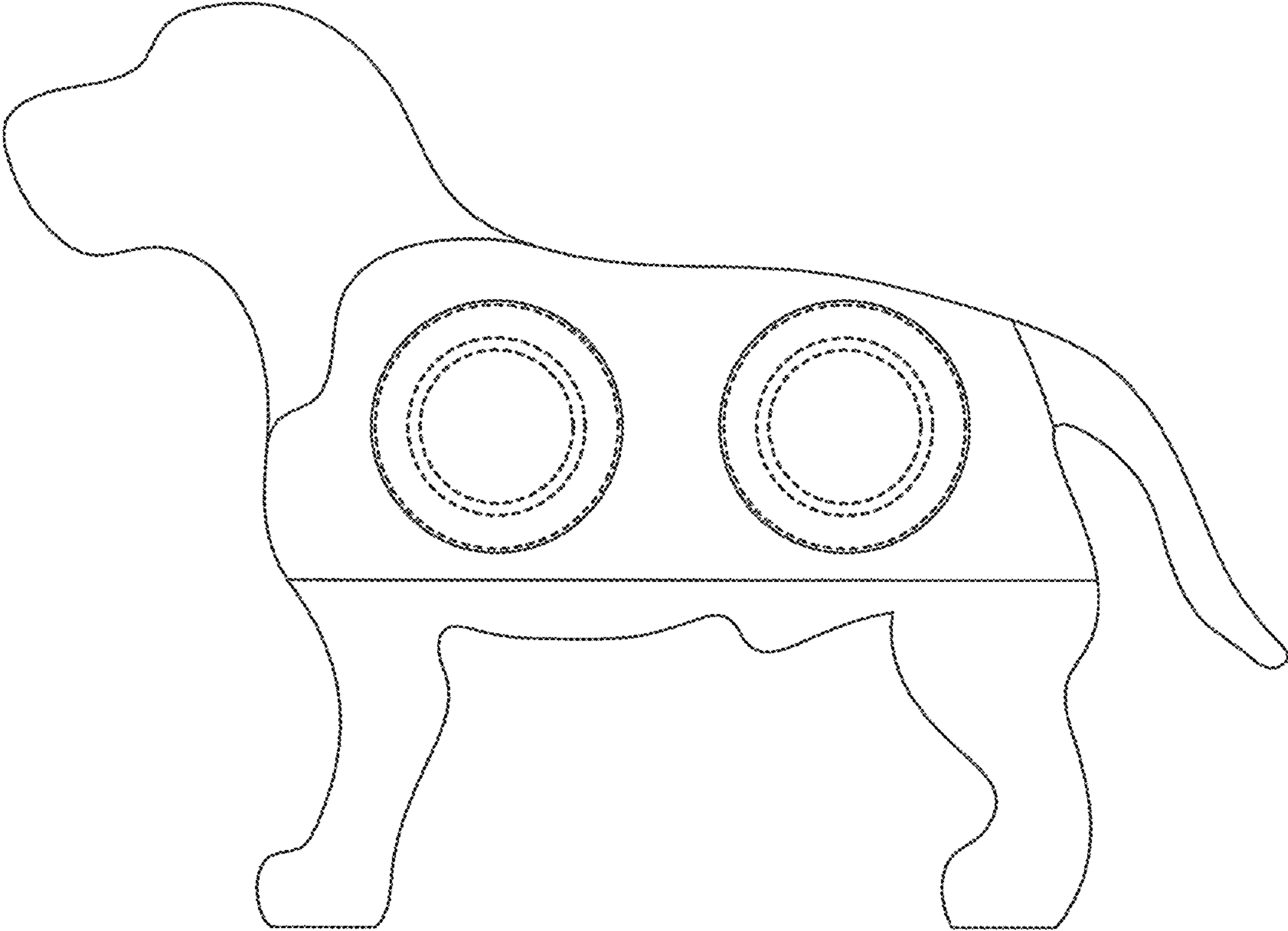


Figure 9

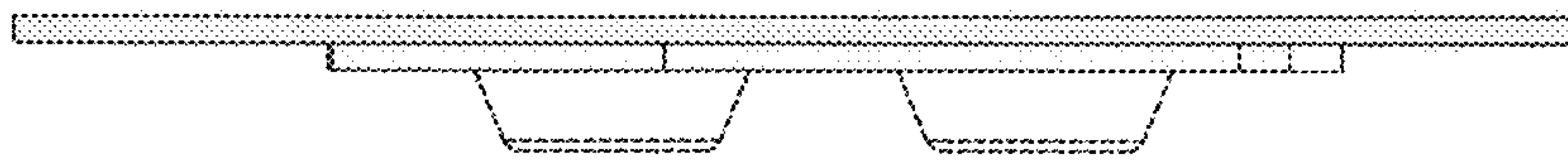


Figure 10



Figure 11