



US00D792659S

(12) **United States Design Patent**  
**Haywood**

(10) **Patent No.:** **US D792,659 S**  
(45) **Date of Patent:** **\*\* Jul. 18, 2017**

(54) **T-BAR STRAP MOUNTED CALF FEEDER**

(71) Applicant: **Ursula Mary Haywood**, Cambridge (NZ)

(72) Inventor: **Ursula Mary Haywood**, Cambridge (NZ)

(\*\*) Term: **15 Years**

(21) Appl. No.: **29/564,498**

(22) Filed: **May 13, 2016**

(30) **Foreign Application Priority Data**

Dec. 14, 2015 (NZ) ..... 421031

(51) **LOC (10) Cl.** ..... **30-03**

(52) **U.S. Cl.**  
USPC ..... **D30/121**

(58) **Field of Classification Search**

USPC ..... D30/121, 199; 119/71, 72, 72.5, 75;  
D24/114, 130, 196; D23/213, 223;  
604/187, 192, 197, 257, 263, 514, 516;  
132/333; 215/11.1, 11.4, 11.5, 400;  
222/173, 174, 175; 239/33, 398, 401,  
239/408, 340, 346, 380, 310, 353, 117,  
239/116, 319, DIG. 14  
CPC . A01K 9/00; A01K 9/005; A01K 7/00; A01K  
7/02; A01K 7/022; A01K 7/06; A01K  
5/00; A01K 5/02; A01K 5/0216; A01K  
5/0275; A01K 19/00; A01K 1/10; A47G  
21/188; A47G 21/189; A61J 11/0005;  
A61J 11/0035; A61J 15/00; A61J  
15/0011; A61J 15/0026; B05B 7/02;  
B05B 7/12; B05B 7/025; B05B 1/3046;  
A61M 5/3213; Y10S 239/14

See application file for complete search history.

(56) **References Cited**

**U.S. PATENT DOCUMENTS**

1,268,403 A \* 6/1918 Stacker ..... B05B 7/2478  
239/288.5  
1,299,290 A \* 4/1919 Berg ..... B05B 7/2435  
239/346

1,548,956 A \* 8/1925 Rosenberg ..... B67B 7/26  
222/189.07  
1,760,053 A \* 5/1930 Gans ..... A01K 9/005  
119/71  
D103,976 S \* 4/1937 Lermer ..... D24/114  
2,460,529 A \* 2/1949 Paasche ..... B05B 7/1209  
137/636  
D174,985 S \* 6/1955 Fields et al. .... D24/114  
(Continued)

*Primary Examiner* — Susan Moon Lee

(74) *Attorney, Agent, or Firm* — Studebaker & Brackett  
PC

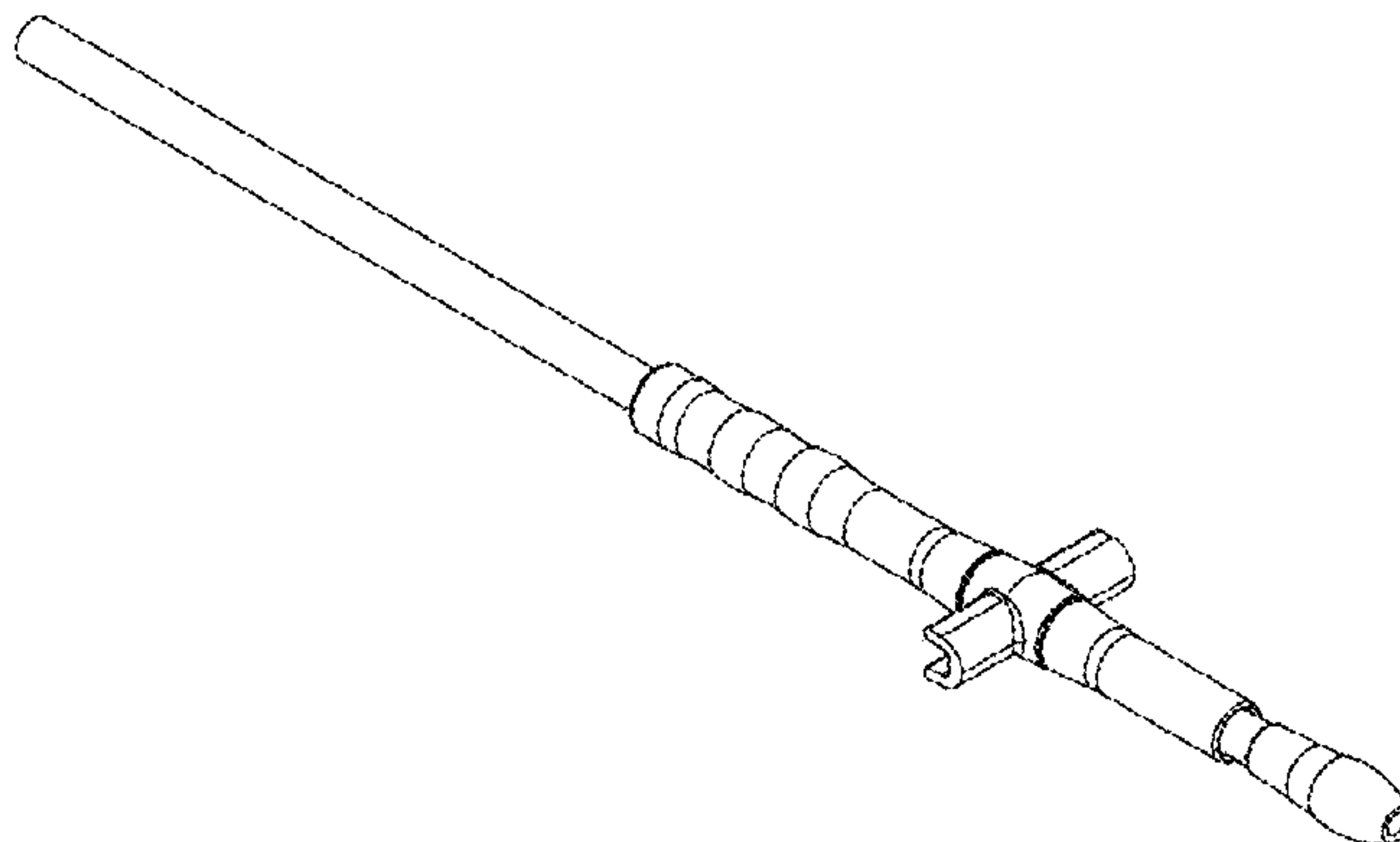
(57) **CLAIM**

I claim the ornamental design for a T-bar strap mounted calf feeder, as shown and described.

**DESCRIPTION**

FIG. 1 is a front perspective view of a T-bar strap mounted calf feeder in accordance with my new design, shown in a retracted configuration;  
FIG. 2 is a rear perspective view thereof;  
FIG. 3 is an enlarged front view thereof;  
FIG. 4 is an enlarged rear view thereof;  
FIG. 5 is a side view of the T-bar strap mounted calf feeder, the opposite side being a mirror image thereof;  
FIG. 6 is a top view of the T-bar strap mounted calf feeder, the bottom view being a mirror image thereof;  
FIG. 7 is a front perspective view of the T-bar strap mounted calf feeder, shown in a first extended configuration;  
FIG. 8 is a rear perspective view thereof;  
FIG. 9 is a side view of the T-bar strap mounted calf feeder, shown in a second extended configuration, the opposite side being a mirror image thereof; and,  
FIG. 10 is a top view thereof, the bottom view being a mirror image thereof.

**1 Claim, 9 Drawing Sheets**



(56)

References Cited

U.S. PATENT DOCUMENTS

2,759,772 A *	8/1956	Hopkins	B05B 7/04 137/625.18	7,070,124 B1 *	7/2006	Juo	B05B 7/064 239/340
3,042,002 A *	7/1962	Liell	A01K 9/00 119/71	D545,429 S *	6/2007	Hays	D24/114
3,090,355 A *	5/1963	Gains	A01K 9/00 119/71	D556,320 S *	11/2007	Boclet	D24/114
D205,270 S *	7/1966	Gray	604/187	7,360,501 B2 *	4/2008	Jacobsen	A61D 7/00 119/72
D212,991 S *	12/1968	Evers et al.	D24/114	7,389,948 B1 *	6/2008	Lampman	B05B 7/2435 222/637
3,452,717 A *	7/1969	Sunner	A01K 9/00 119/71	D574,954 S *	8/2008	Smith	D24/114
D215,387 S *	9/1969	Cox et al.	D24/130	D581,527 S *	11/2008	Jansen	D24/130
3,704,803 A *	12/1972	Ponder	A61J 9/006 215/11.2	D590,500 S *	4/2009	Sudo	D24/130
3,884,231 A *	5/1975	Peters	A61M 3/00 222/527	D593,679 S *	6/2009	Bartlett	D24/130
4,153,170 A *	5/1979	Aquarian	A61J 9/00 215/11.1	D594,553 S *	6/2009	Stonehouse	D24/112
4,261,345 A *	4/1981	Yamaguchi	A61B 1/12 600/132	D598,093 S *	8/2009	Kawamura	D24/130
D260,814 S *	9/1981	Goldhardt	D24/114	D609,333 S *	2/2010	Holmes	D24/114
4,559,042 A *	12/1985	Votel	A61M 5/3213 604/192	D610,253 S *	2/2010	Kawamura	D24/114
4,573,975 A *	3/1986	Frist	A61M 5/3213 604/192	D615,649 S *	5/2010	Zinn	D24/130
D287,874 S *	1/1987	Blatherwick	D24/114	D620,107 S *	7/2010	Bartlett	D24/112
D287,877 S *	1/1987	Holewinski	D24/114	D629,515 S *	12/2010	Laurence	D24/130
4,653,432 A *	3/1987	Smeds	A01K 5/0216 119/71	D630,298 S *	1/2011	Henry	D23/213
4,742,910 A *	5/1988	Staebler	A61M 5/3213 206/365	D645,140 S *	9/2011	Peuker	D24/114
4,840,618 A *	6/1989	Marvel	A61M 5/3213 604/187	D645,936 S *	9/2011	Shepherd	D23/213
4,919,656 A *	4/1990	Bracker	A61M 5/3213 604/192	D645,959 S *	9/2011	Peuker	D24/114
5,154,324 A *	10/1992	Stratford	A61D 7/00 222/175	8,056,508 B1 *	11/2011	Bryan	A01K 9/00 119/71
D335,344 S *	5/1993	Hastings	D24/114	D657,867 S *	4/2012	Effenberger	D24/114
D336,516 S *	6/1993	Nilsson	D24/130	D663,023 S *	7/2012	Strong	D24/112
5,395,322 A *	3/1995	Moser	A47G 21/185 215/11.1	D663,024 S *	7/2012	Trifilio	D24/130
5,397,312 A *	3/1995	Rademaker	A61M 31/00 604/187	D673,677 S *	1/2013	Noda	D24/114
5,429,599 A *	7/1995	Heinke	A61D 7/00 604/192	D681,808 S *	5/2013	Holaschke	D24/114
5,429,600 A *	7/1995	Heinke	A61M 31/00 604/192	D690,416 S *	9/2013	Cappello	D24/112
D377,830 S *	2/1997	Lai	D24/114	D714,934 S *	10/2014	Kawamura	D24/130
5,601,537 A *	2/1997	Frassica	A61M 25/0021 604/164.1	D717,429 S *	11/2014	Kawamura	D24/130
6,039,714 A *	3/2000	Cracauer	A61J 15/0034 604/103.03	8,961,490 B2 *	2/2015	Musani	A61M 5/1782 604/187
6,120,528 A *	9/2000	Link	A61J 11/0005 128/847	D733,870 S *	7/2015	Broyles	D24/114
D445,176 S *	7/2001	Landers	D24/108	D739,933 S *	9/2015	Ettlin	D24/114
6,339,998 B1 *	1/2002	Niki	A01K 1/0356 119/72.5	D744,643 S *	12/2015	Eckstein	D24/130
6,354,517 B1 *	3/2002	Wu	B05B 7/1209 239/353	D753,293 S *	4/2016	Eckstein	D24/130
D459,785 S *	7/2002	Chih	D23/213	D770,612 S *	11/2016	Green	D24/114
6,488,666 B1 *	12/2002	Geist	A61M 5/3213 604/192	D771,242 S *	11/2016	Kaufmann	D24/112
6,648,857 B1 *	11/2003	Pedigo	A61M 5/3213 604/192	2004/0210253 A1 *	10/2004	Viggiano	A61J 9/00 606/236
D489,819 S *	5/2004	Ford	D24/112	2004/0217198 A1 *	11/2004	Lloyd	B05B 7/2416 239/306
D507,833 S *	7/2005	Coss	A61B 90/05 D24/130	2004/0236311 A1 *	11/2004	Ishii	A61M 39/20 604/533
D515,208 S *	2/2006	Tarumi	D24/114	2005/0049624 A1 *	3/2005	Francese	A61B 17/3421 606/185
				2006/0108319 A1 *	5/2006	Meittunen	A61J 1/1425 215/386
				2006/0266848 A1 *	11/2006	Juo	B05B 7/1209 239/346
				2007/0034708 A1 *	2/2007	Pearson	A47G 21/18 239/33
				2007/0054019 A1 *	3/2007	Sotile	B65D 85/78 426/420
				2008/0097348 A1 *	4/2008	Itrich	A61J 15/00 604/264
				2008/0167622 A1 *	7/2008	Noppen	A61M 5/321 604/192
				2012/0035593 A1 *	2/2012	Lair	A61J 15/0026 604/535
				2012/0095432 A1 *	4/2012	Nath	A61B 17/3415 604/500
				2012/0199595 A1 *	8/2012	Makowski	A61J 1/1475 220/710
				2016/0317393 A1 *	11/2016	Davis	A61J 15/0026

\* cited by examiner

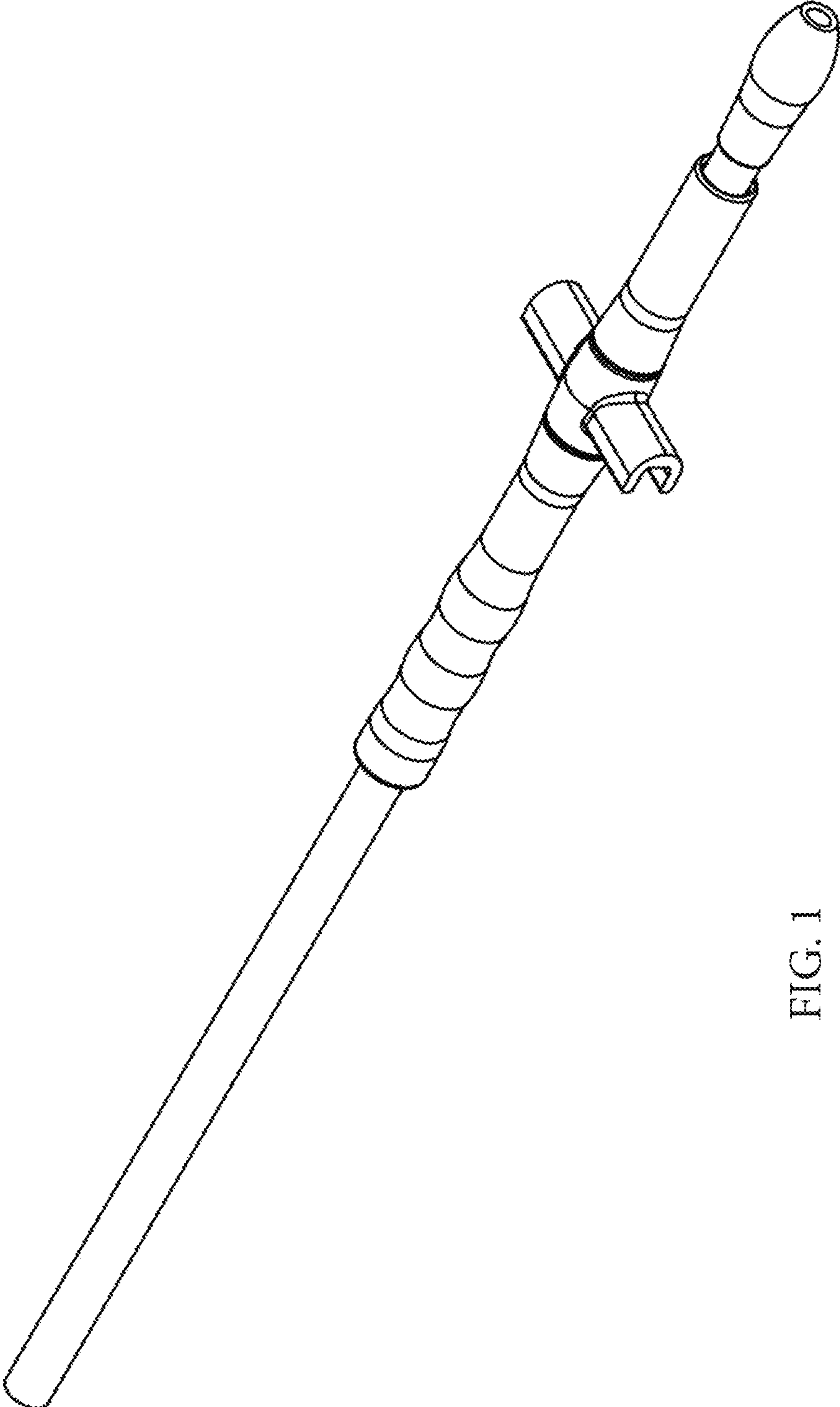


FIG. 1



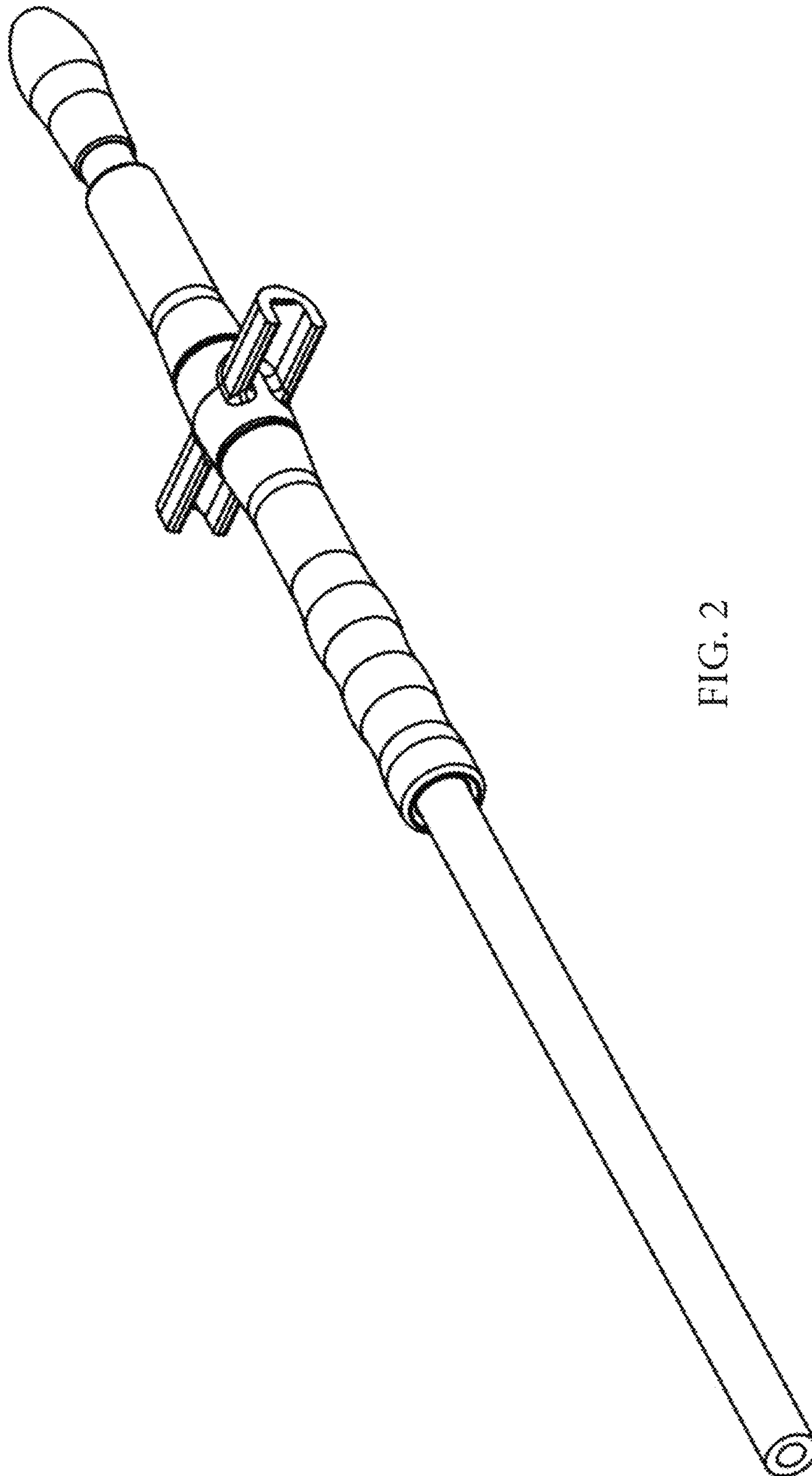


FIG. 2

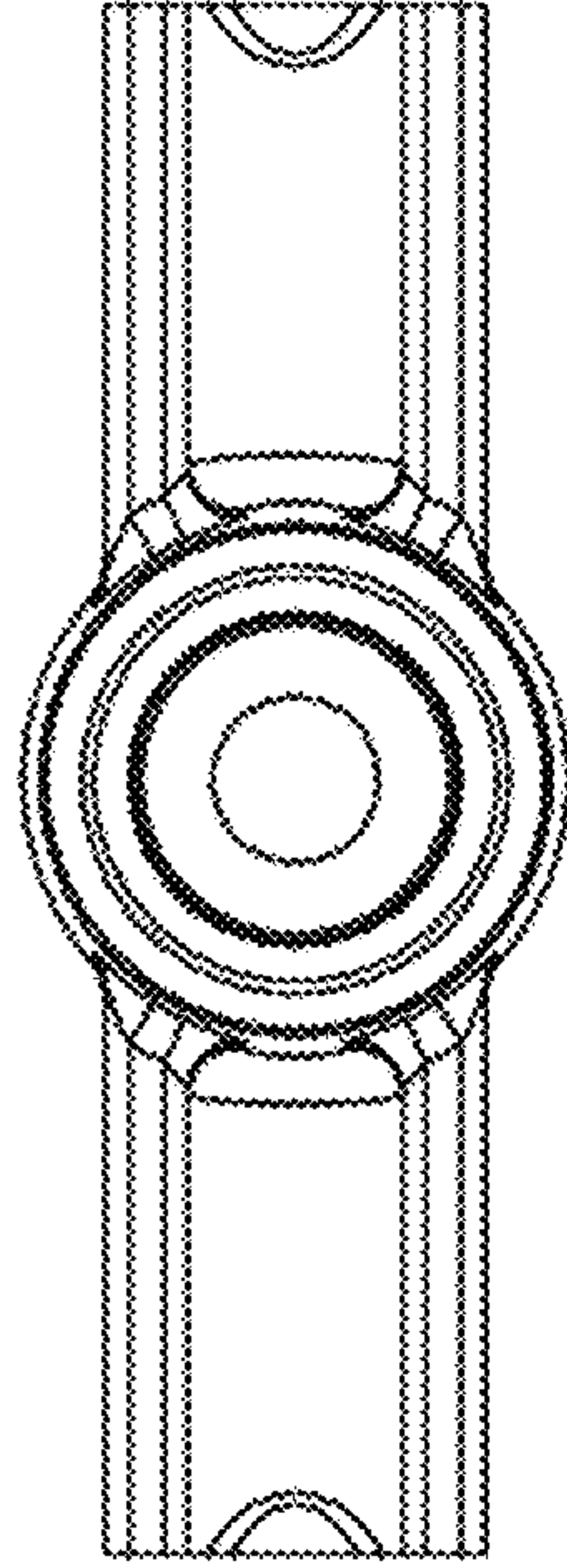


FIG. 4

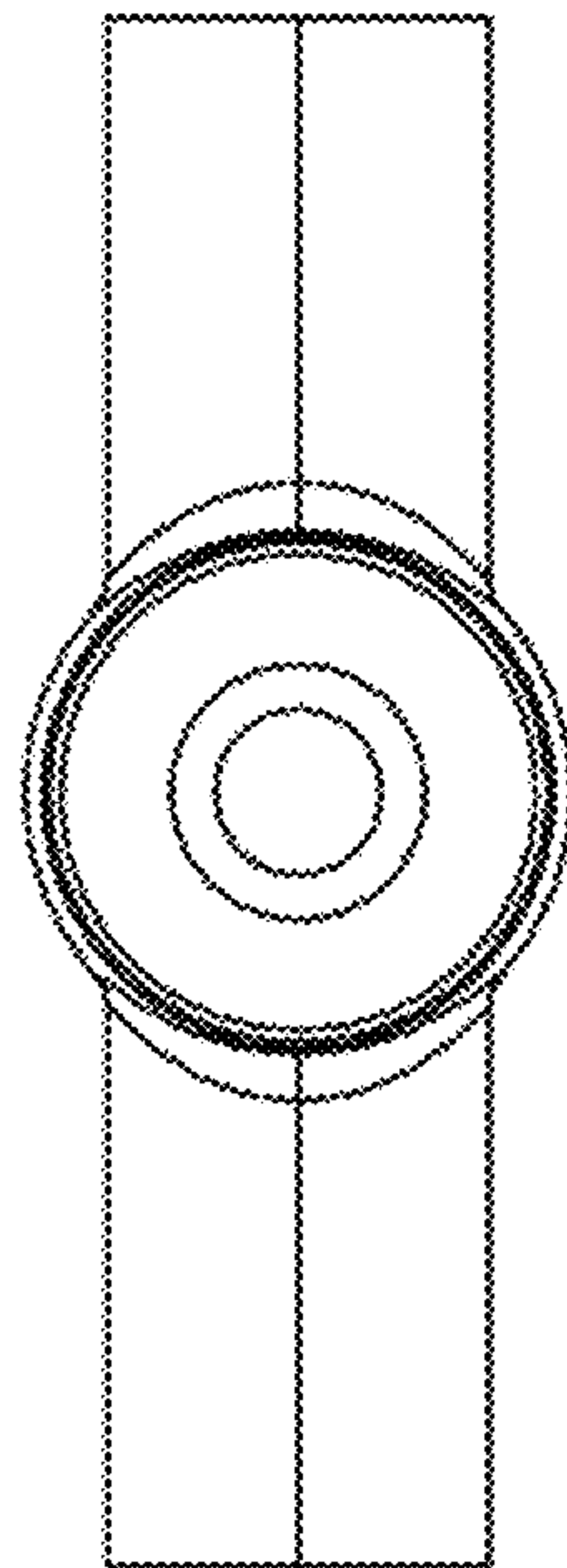


FIG. 3

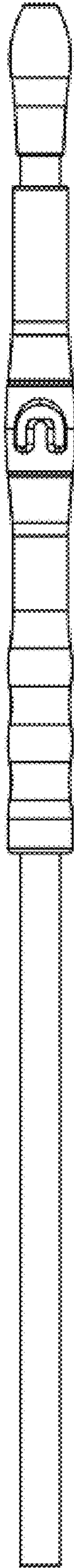


FIG. 5

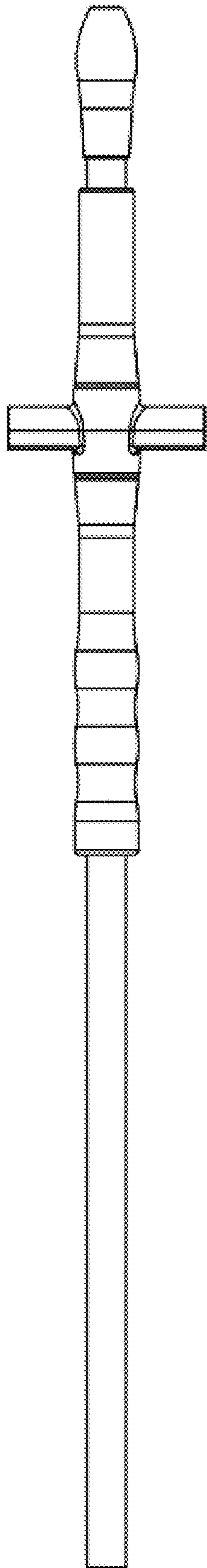


FIG. 6

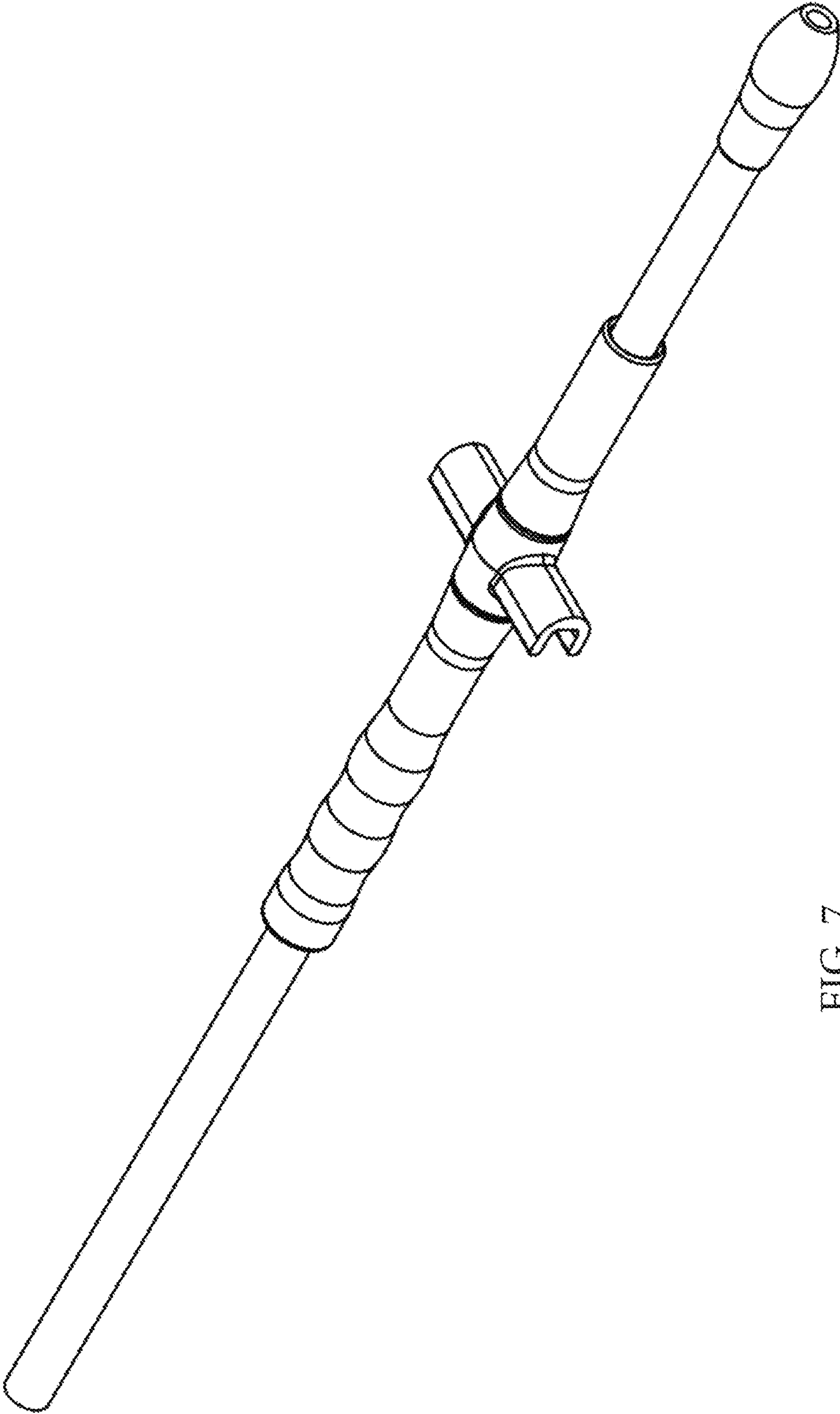


FIG. 7



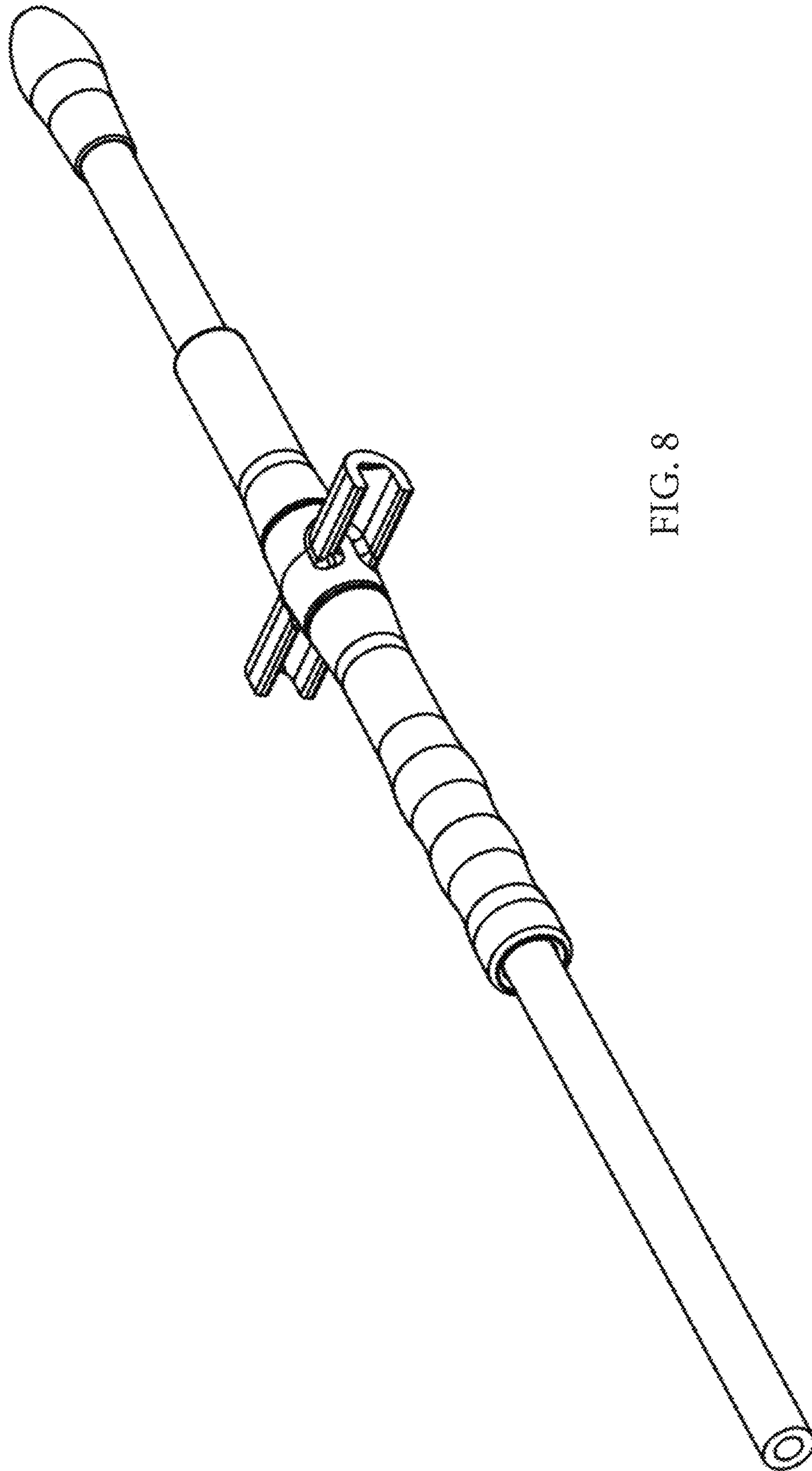


FIG. 8

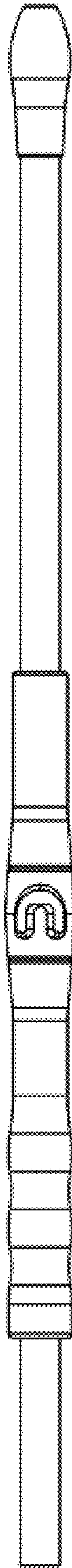


FIG. 9

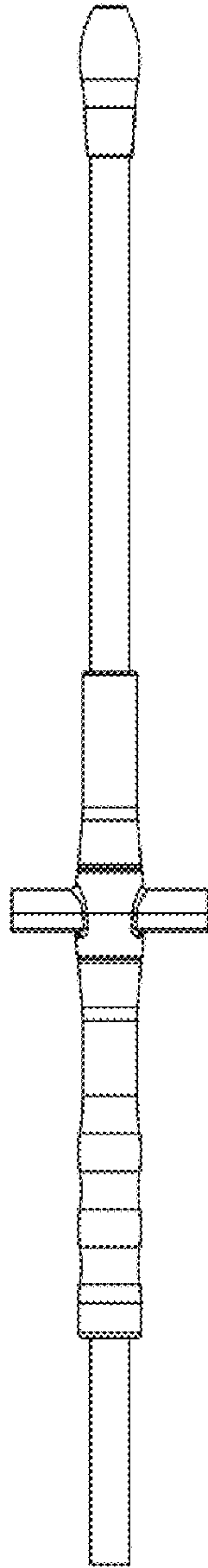


FIG. 10