



US00D792656S

(12) **United States Design Patent** (10) **Patent No.:** **US D792,656 S**
Xie (45) **Date of Patent:** **** Jul. 18, 2017**

(54) **FISH TANK**

(71) Applicant: **Shenzhen Xingrisheng Industrial Co., Ltd.**, Shenzhen (CN)

(72) Inventor: **Yong Xie**, Shenzhen (CN)

(73) Assignee: **Shenzhen Xingrisheng Industrial Co., Ltd.**, Shenzhen (CN)

(**) Term: **15 Years**

(21) Appl. No.: **29/579,017**

(22) Filed: **Sep. 27, 2016**

(30) **Foreign Application Priority Data**

Apr. 12, 2016 (CN) 2016 3 0120620

(51) **LOC (10) Cl.** **30-02**

(52) **U.S. Cl.**
USPC **D30/101**

(58) **Field of Classification Search**
USPC D30/101-106, 108; 119/245-269
CPC A01K 63/00-63/02; A01K 63/003; A01K 63/006; Y10T 428/13; F21S 4/28
See application file for complete search history.

(56) **References Cited**

U.S. PATENT DOCUMENTS

D347,911 S *	6/1994	Tominaga	D30/101
D357,556 S *	4/1995	Hashimoto	D30/101
D361,170 S *	8/1995	Hashimoto	D30/101
D397,520 S *	8/1998	Ichikawa	D30/101
D423,146 S *	4/2000	Wang	D30/101
D429,503 S *	8/2000	Hsieh	D21/483
D448,124 S *	9/2001	Wang	D30/101
D490,940 S *	6/2004	Wang	D30/105
7,243,613 B2 *	7/2007	Holms	A01K 63/006 119/248
D553,304 S *	10/2007	Wang	D30/101
D701,003 S *	3/2014	Xu	D30/101

D701,352 S *	3/2014	Xu	D30/101
D704,382 S *	5/2014	Wu	D30/101
D723,745 S *	3/2015	Xu	D30/101
2015/0101540 A1 *	4/2015	Allen	A01K 63/06 119/247

OTHER PUBLICATIONS

Arcylic nano mini Betta fighting fish tank; Retrieved from <https://www.aliexpress.com>; <https://www.aliexpress.com/item/arcylic-nano-mini-Betta-fighting-fish-tank-Tropical-aquarium-Breeding-Twin-Bowl-Fry-isolation-Hatchery-reptile/32708949977.html?spm=2114.40010308.4.2.SoFXcr> Retrieved on May 23, 2017.*

* cited by examiner

Primary Examiner — Wan Laymon
Assistant Examiner — Clint A Samuel

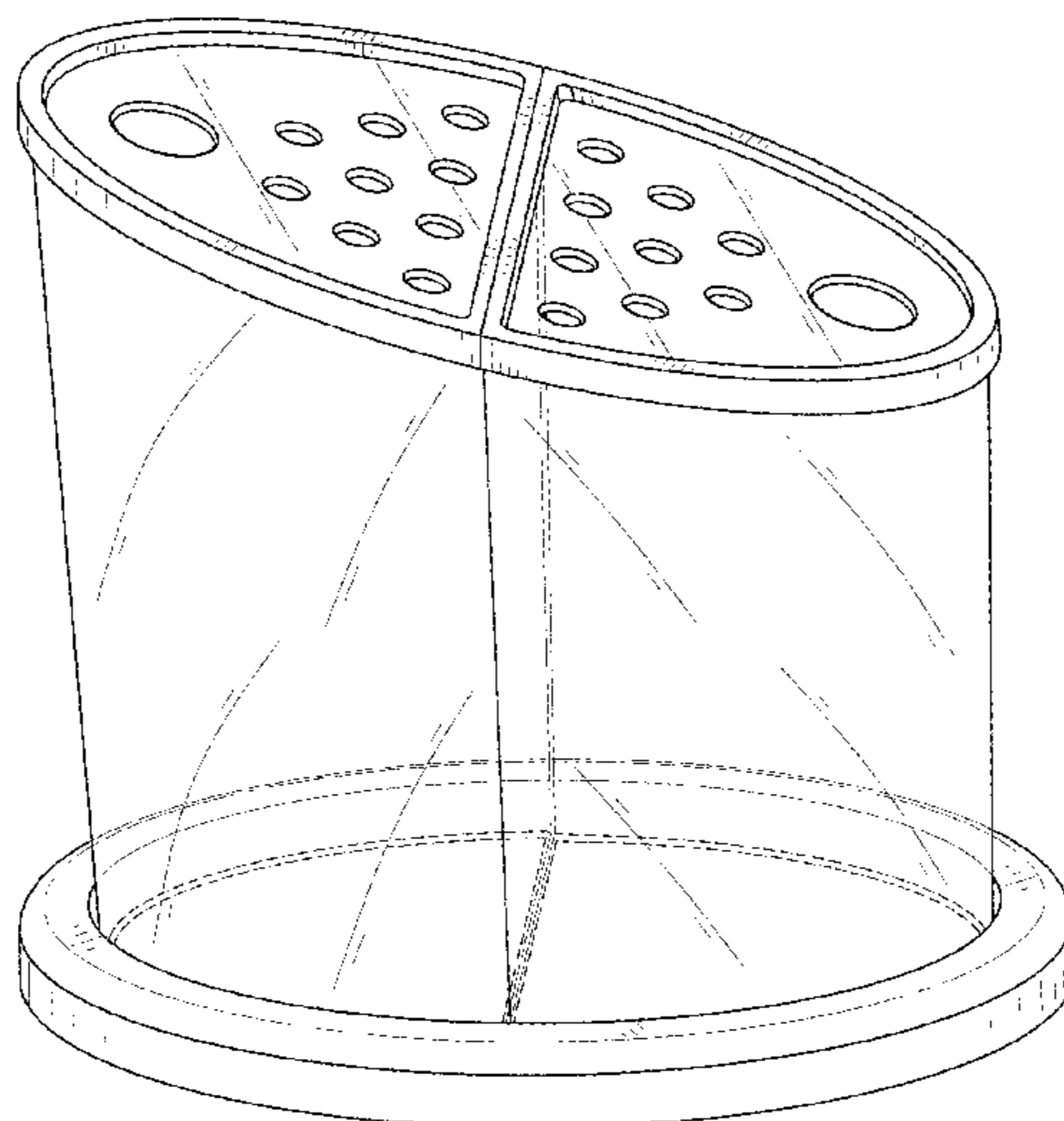
(57) **CLAIM**

The ornamental design for a fish tank, as shown and described.

DESCRIPTION

FIG. 1 is a front perspective view of the fish tank showing my new design;
FIG. 2 is a back perspective view thereof;
FIG. 3 is a front plan view thereof;
FIG. 4 is a back plan view thereof;
FIG. 5 is a left plan view thereof;
FIG. 6 is a right plan view thereof; and,
FIG. 7 is a downward plan view thereof.
The broken line showing in the drawings is included for the purpose of illustrating unclaimed portions of the fish tank and forms no part of the claimed design.

1 Claim, 7 Drawing Sheets



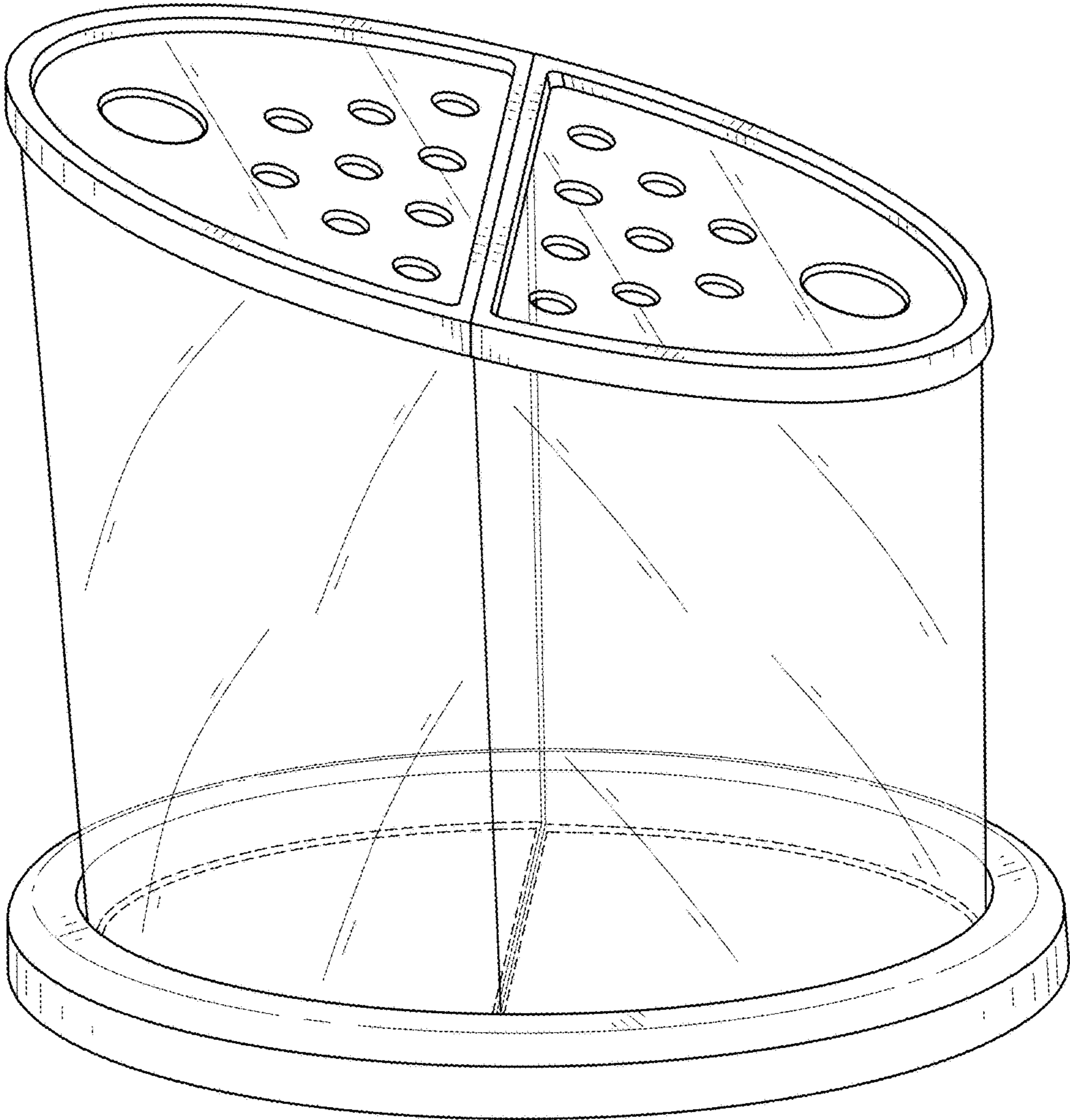


FIG. 1

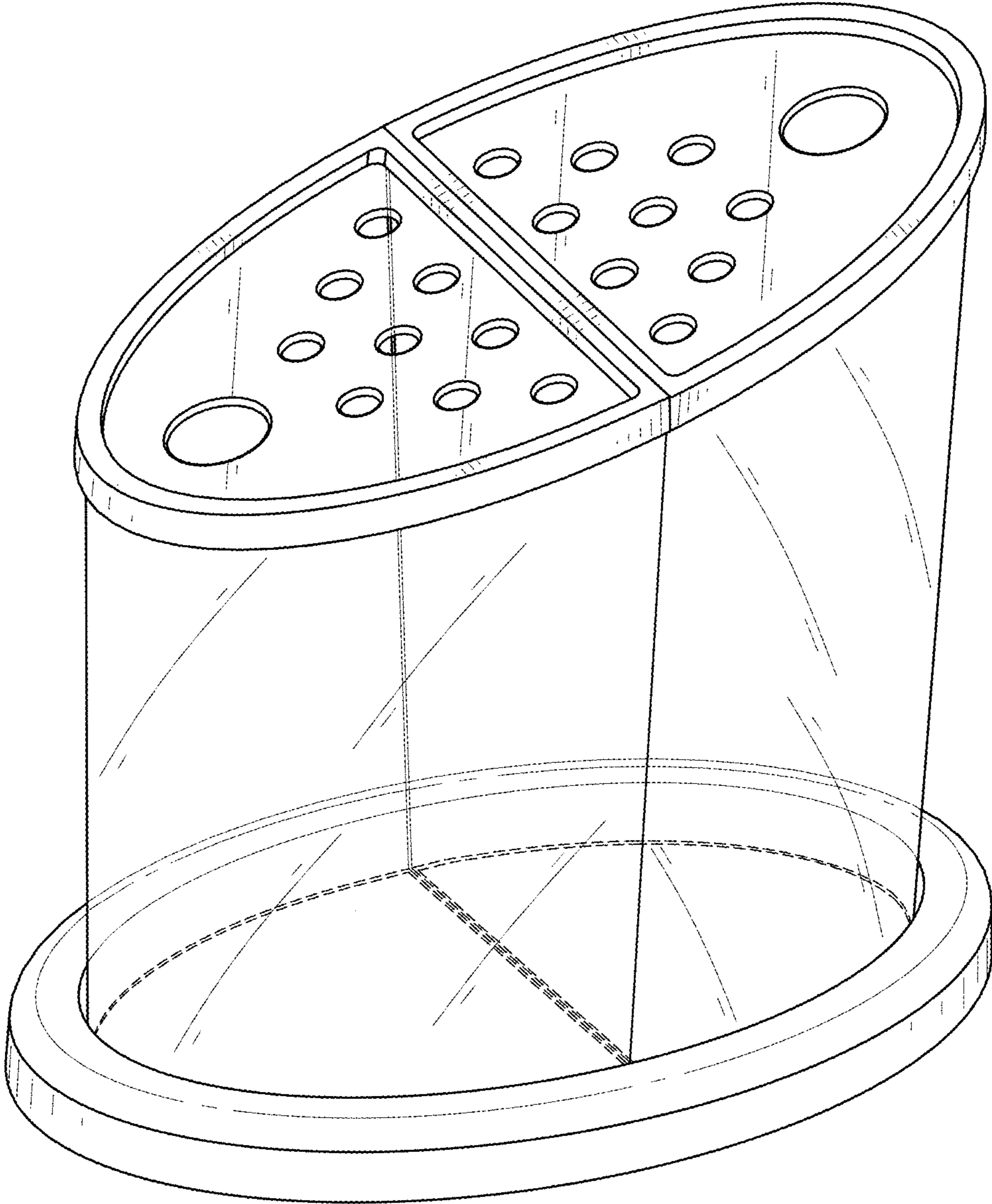


FIG. 2

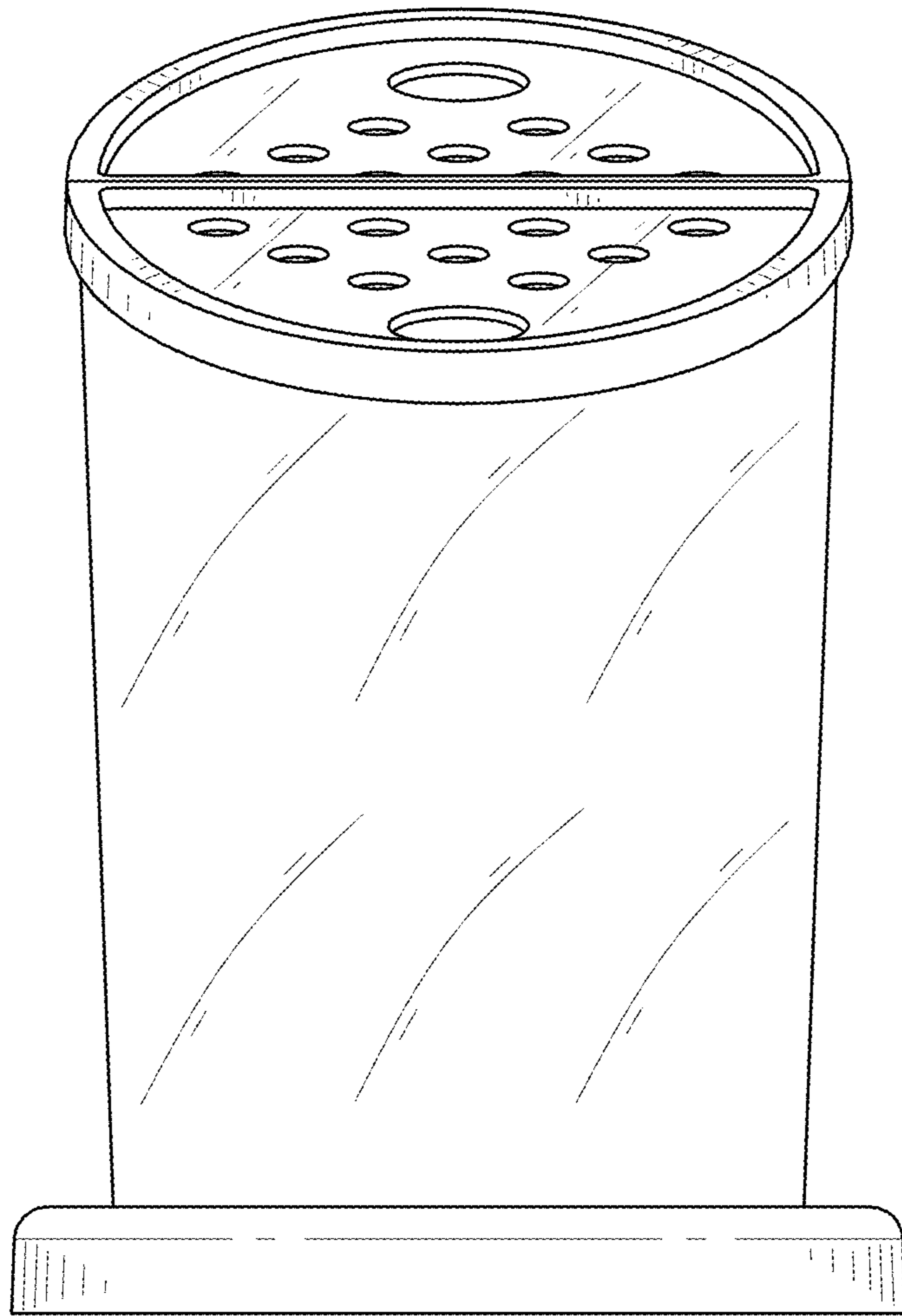


FIG. 3

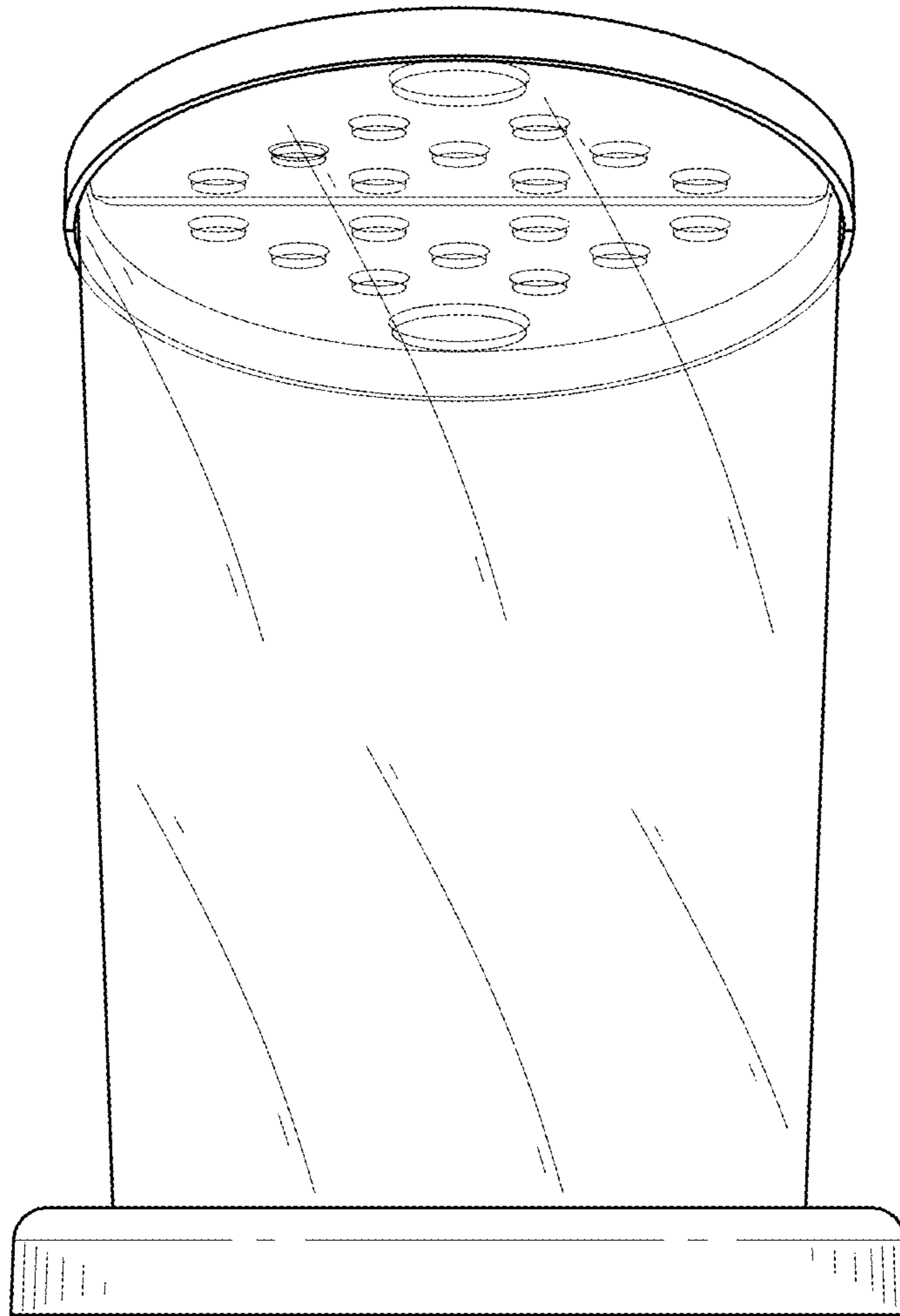


FIG. 4

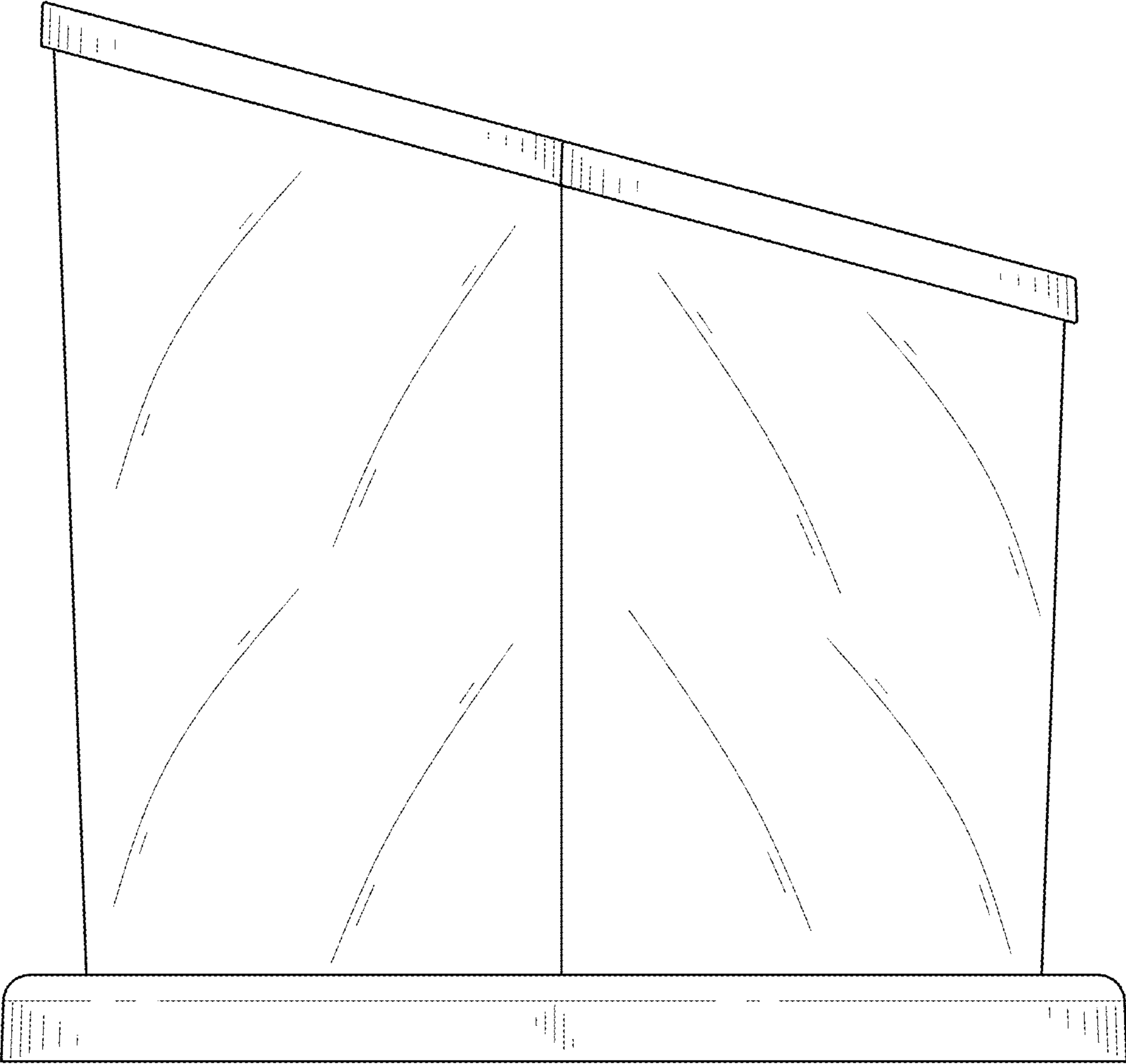


FIG. 5

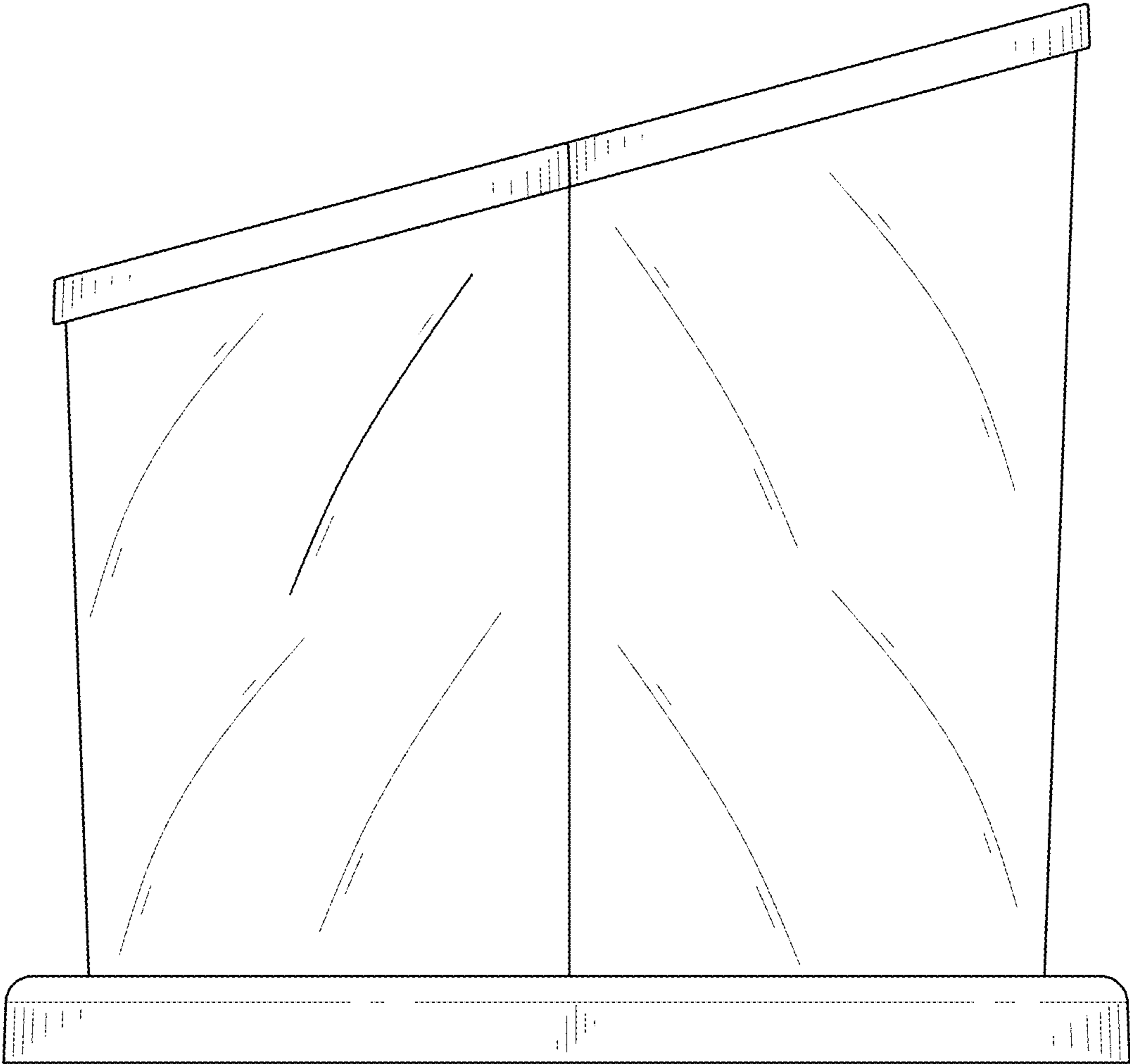


FIG. 6

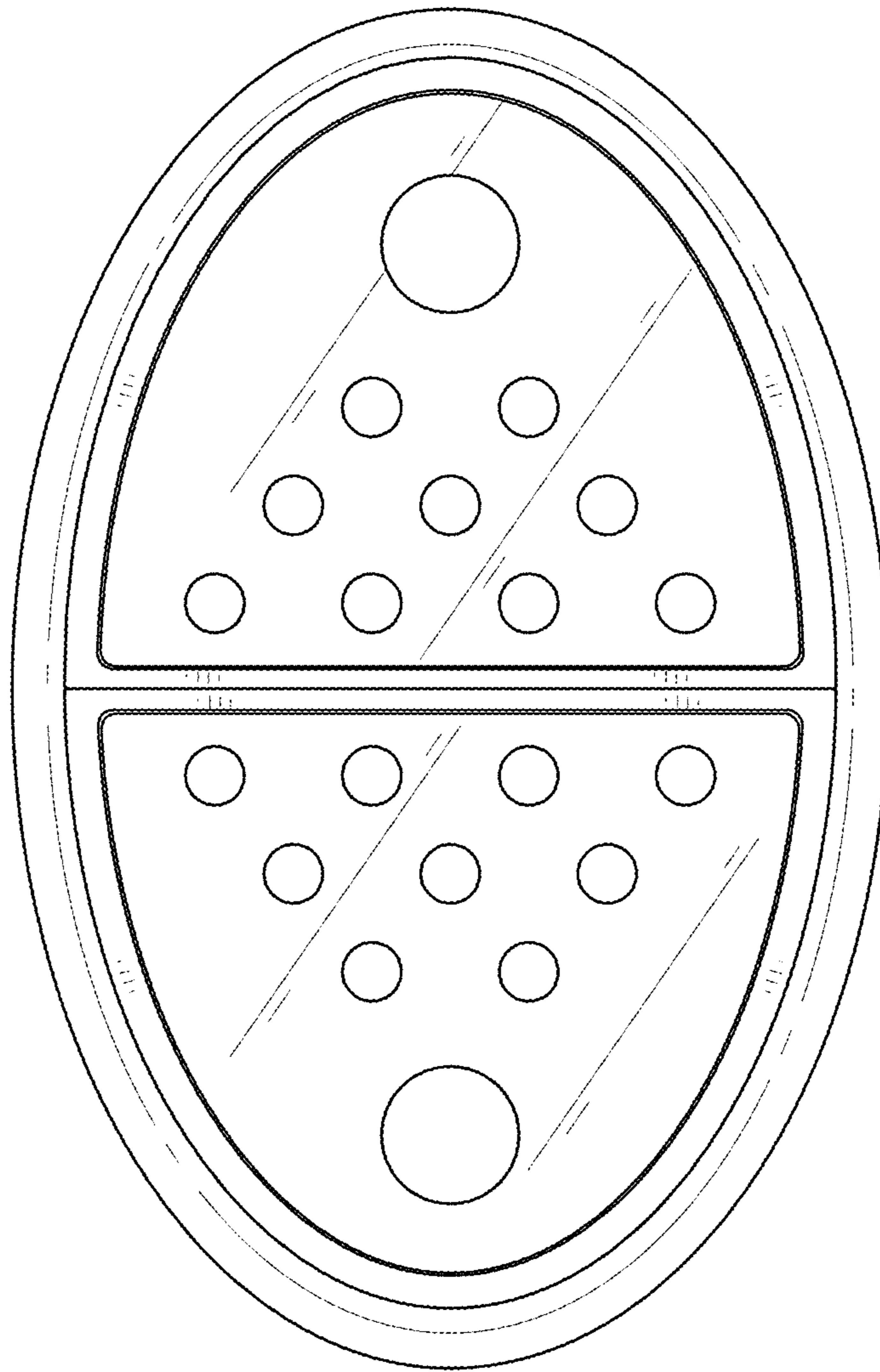


FIG. 7