



US00D792651S

(12) **United States Design Patent**
Petrucelli

(10) **Patent No.:** **US D792,651 S**

(45) **Date of Patent:** **** Jul. 18, 2017**

- (54) **HOLDER FOR A HAIR DRYER**
- (71) Applicant: **P.S. Pibbs, Inc.**, Flushing, NY (US)
- (72) Inventor: **Giulio Petrucelli**, Flushing, NY (US)
- (73) Assignee: **P.S. Pibbs, Inc.**, Flushing, NY (US)
- (**) Term: **15 Years**
- (21) Appl. No.: **29/528,892**
- (22) Filed: **Jun. 2, 2015**
- (51) **LOC (10) Cl.** **28-03**
- (52) **U.S. Cl.**
USPC **D28/73; D28/38**
- (58) **Field of Classification Search**
USPC D6/512, 513, 514, 524, 527, 531; D8/71;
D19/105; D3/304, 310, 311, 313, 314,
D3/315, 903, 901; D28/73, 38, 74, 18,
D28/10, 20; D7/600.1
CPC ... A45D 20/14; A45D 2020/126; A45D 20/12
See application file for complete search history.

D735,939 S *	8/2015	Petrucelli	D28/10
D751,765 S *	3/2016	Goodman	D28/73
D758,021 S *	5/2016	Goodman	D28/38

OTHER PUBLICATIONS

Sarasota Salon Equipment, "Pibbs DH3 Dryer Holder", Accessed Oct. 20, 2016. (http://sarasotasalonequipment.com/Pibbs_DH3_Dryer_Holder).*

* cited by examiner

Primary Examiner — Jennifer Rivard

Assistant Examiner — April Rivas

(74) *Attorney, Agent, or Firm* — Gerald E. Hespos;
Michael J. Porco; Matthew T. Hespos

(57) **CLAIM**

The ornamental design for a holder for a hair dryer, as shown and described.

DESCRIPTION

FIG. 1 is an environmental perspective view of a holder for a hair dryer in accordance with my design;
 FIG. 2 is a perspective view of the holder for a hair dryer;
 FIG. 3 is a top plan view of the holder for a hair dryer of FIG. 2;
 FIG. 4 is a front elevational view thereof;
 FIG. 5 is a side elevational view as viewed from the right side of FIG. 4, with the left side elevational view being a mirror image thereof;
 FIG. 6 is a rear elevational view thereof; and,
 FIG. 7 is a bottom plan view thereof.

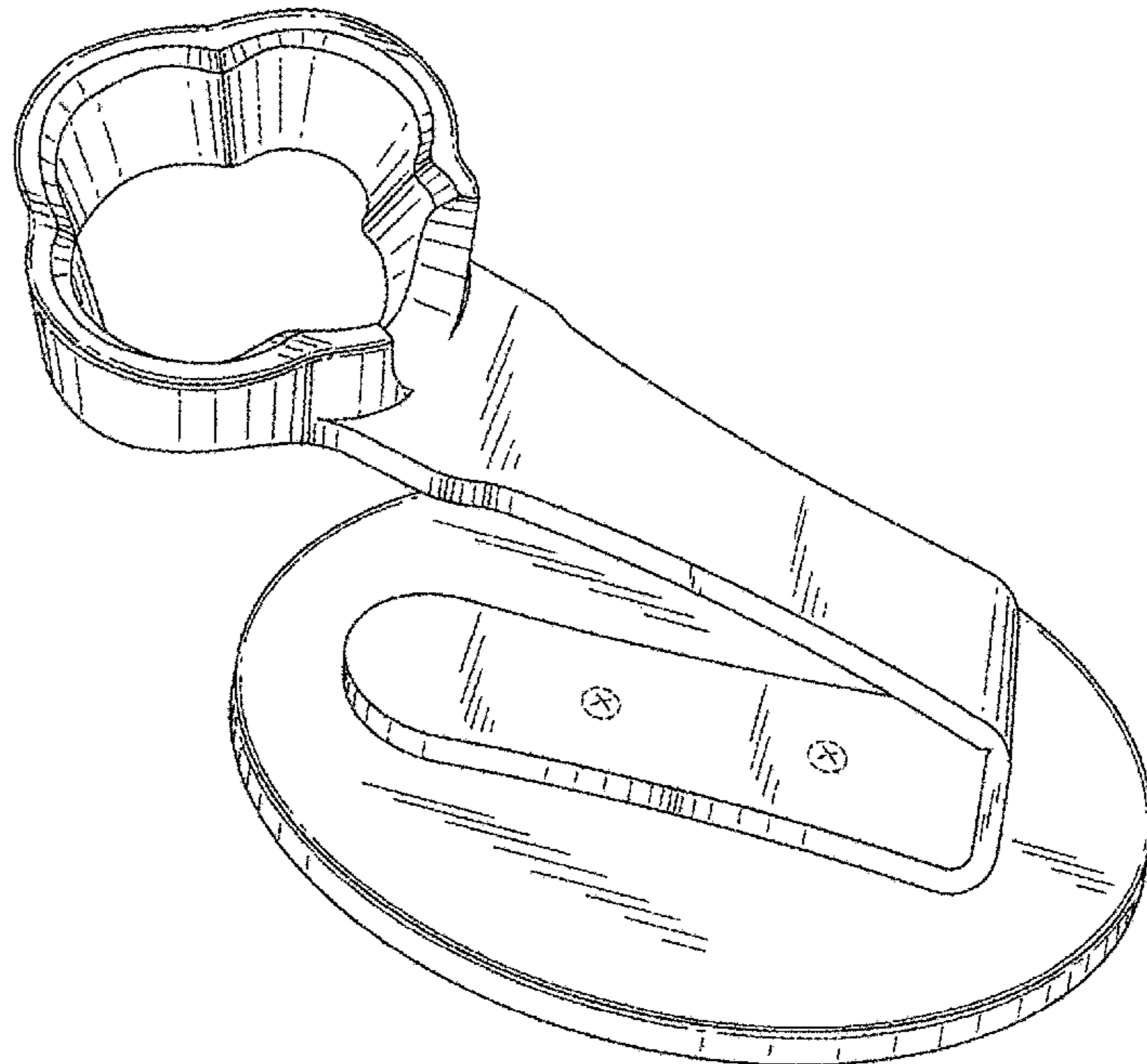
The broken lines showing a hair dryer in FIG. 1 illustrate environment. The remaining broken lines illustrate portions of the holder for a hair dryer. None of the broken lines form part of the claimed design.

(56) **References Cited**

U.S. PATENT DOCUMENTS

D384,532 S *	10/1997	von Buelow	D6/524
D469,927 S *	2/2003	Petrucelli	D28/73
D487,170 S *	2/2004	Petrucelli	D28/73
D489,841 S *	5/2004	West	D28/18
D502,786 S *	3/2005	Cheung	D28/20
D601,300 S *	9/2009	Burk	D28/18
D642,736 S *	8/2011	Reidy	D28/18
D702,885 S *	4/2014	Petrucelli	D28/38
D703,383 S *	4/2014	Petrucelli	D28/38

1 Claim, 6 Drawing Sheets



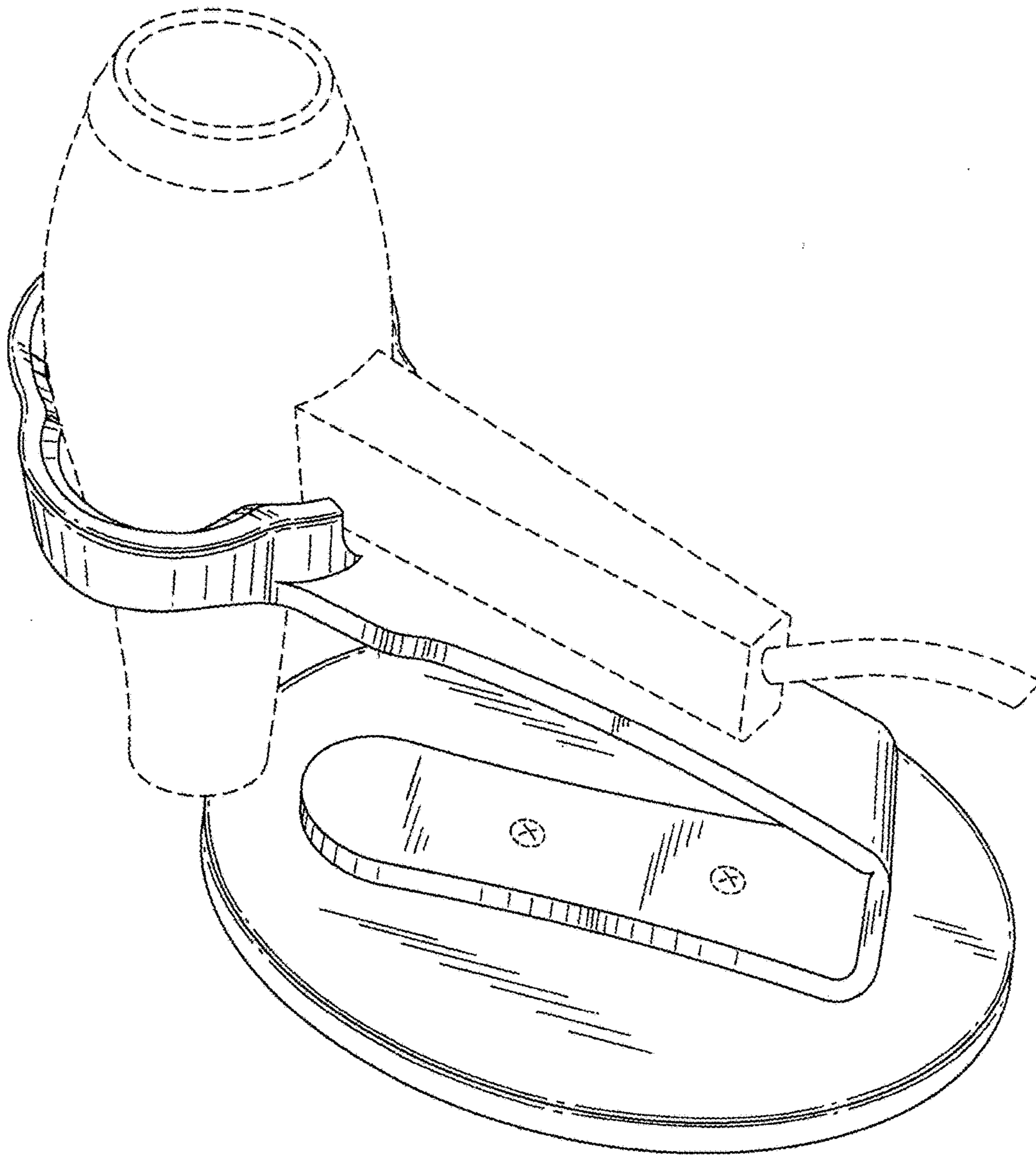


FIG. 1

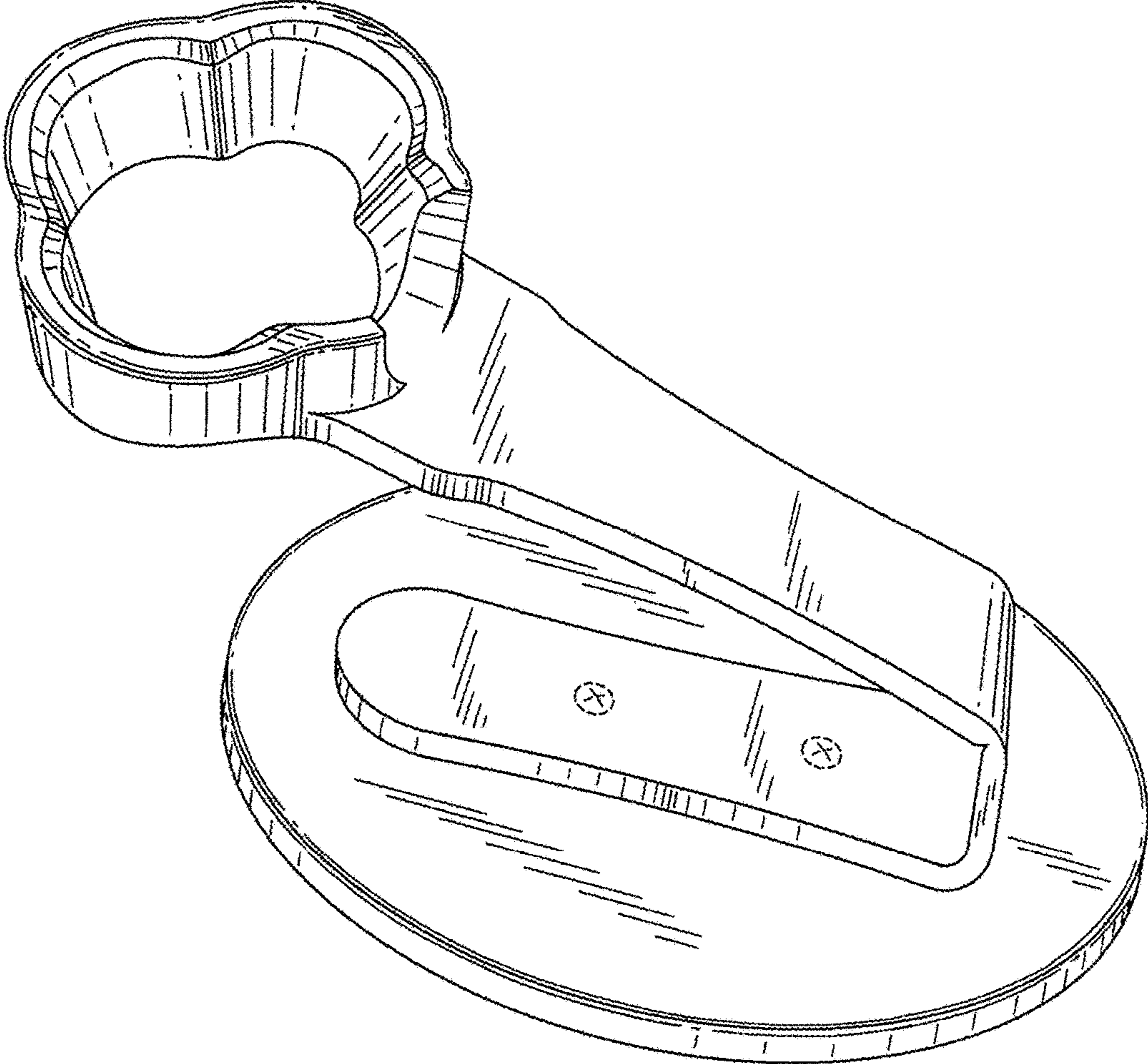


FIG. 2

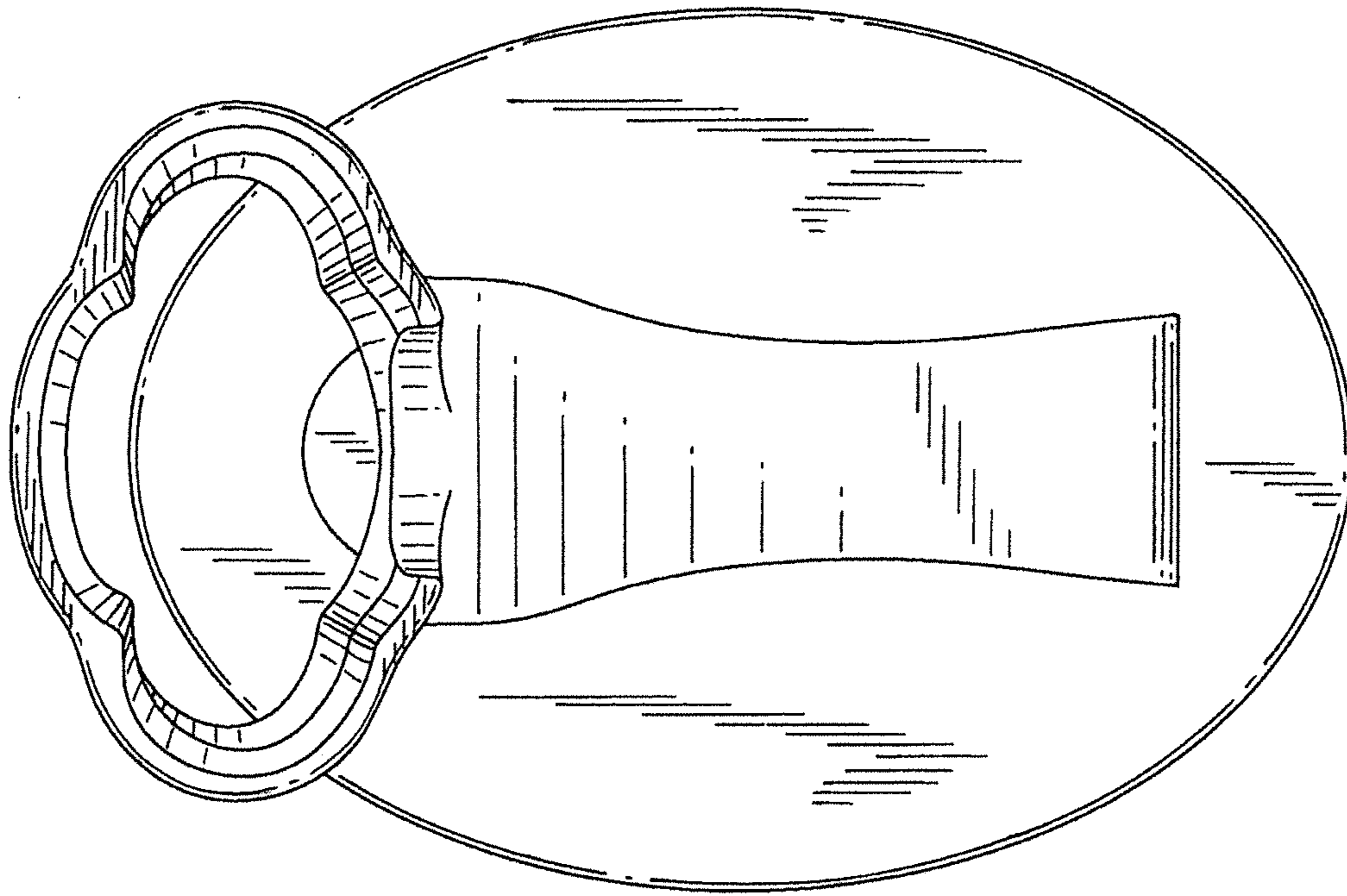


FIG. 3

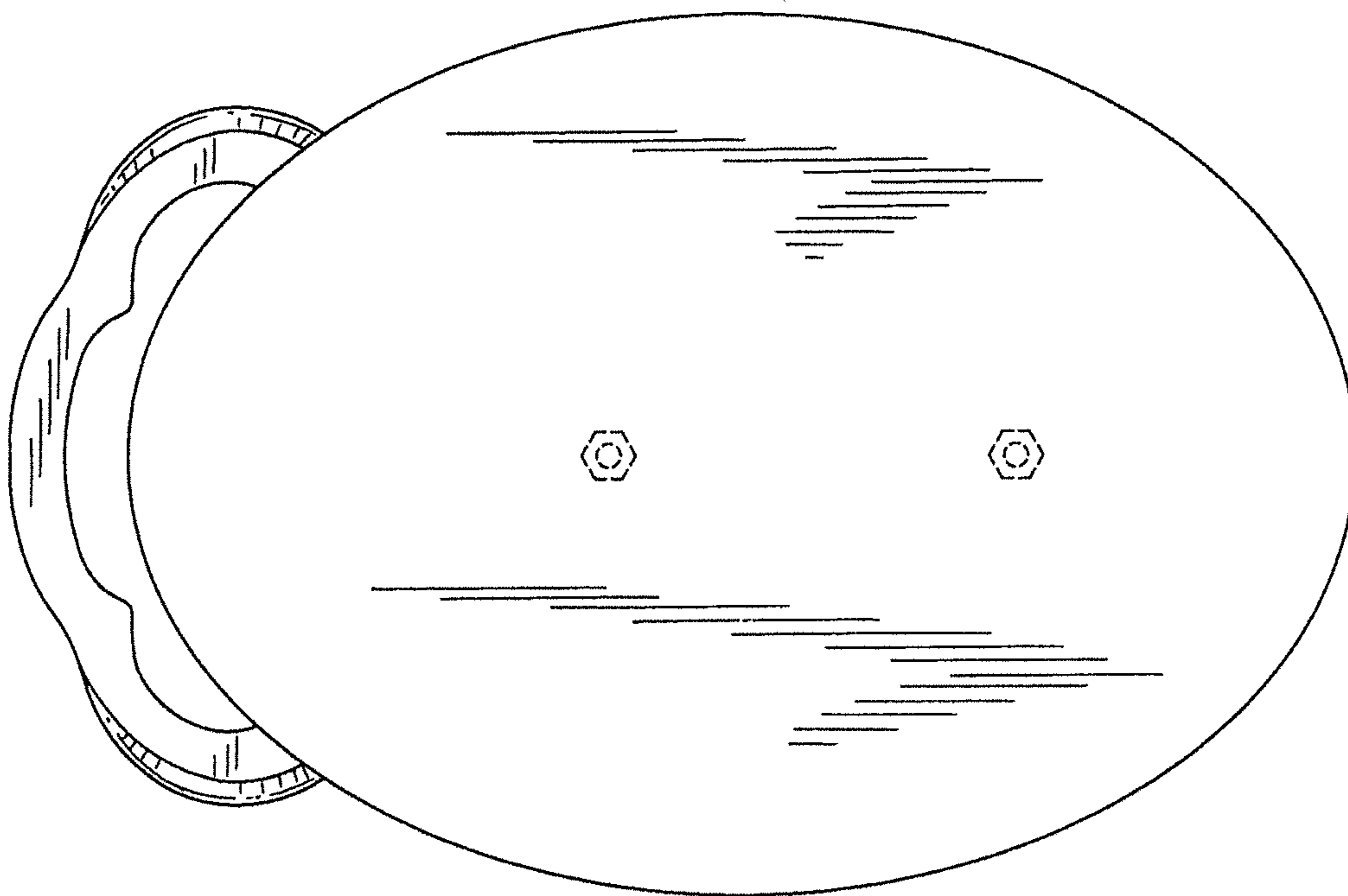


FIG. 7

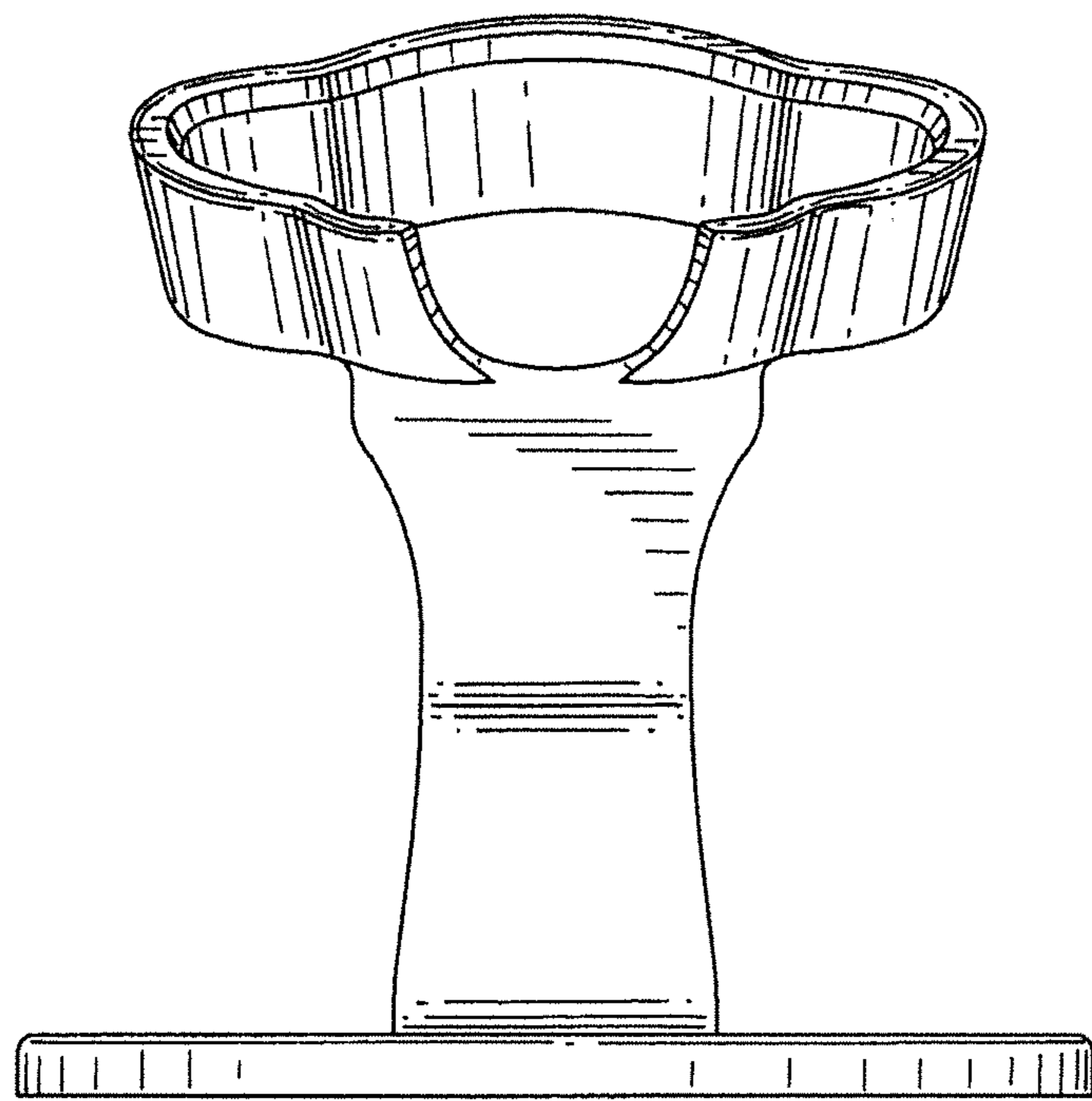


FIG.4

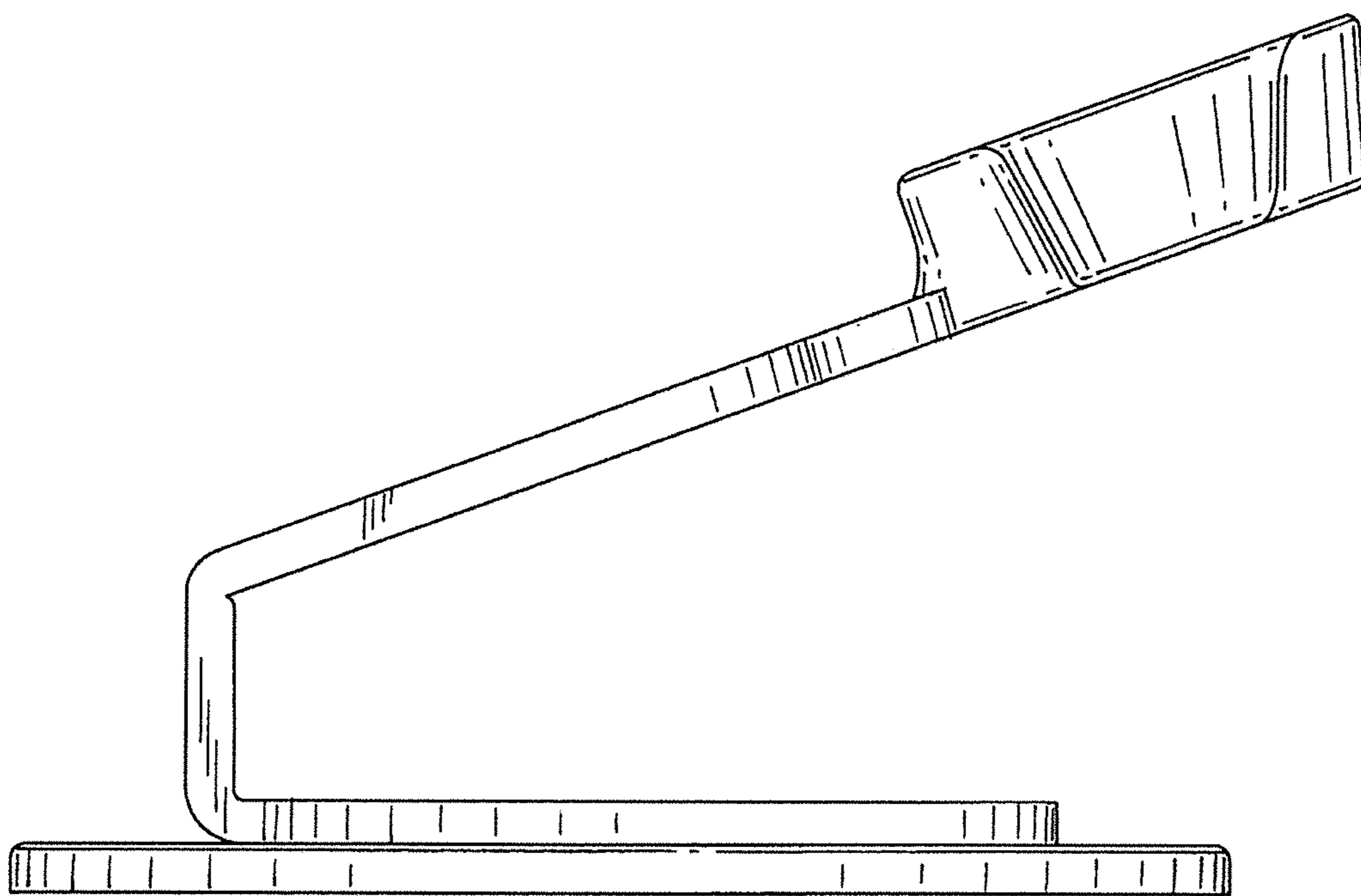


FIG.5

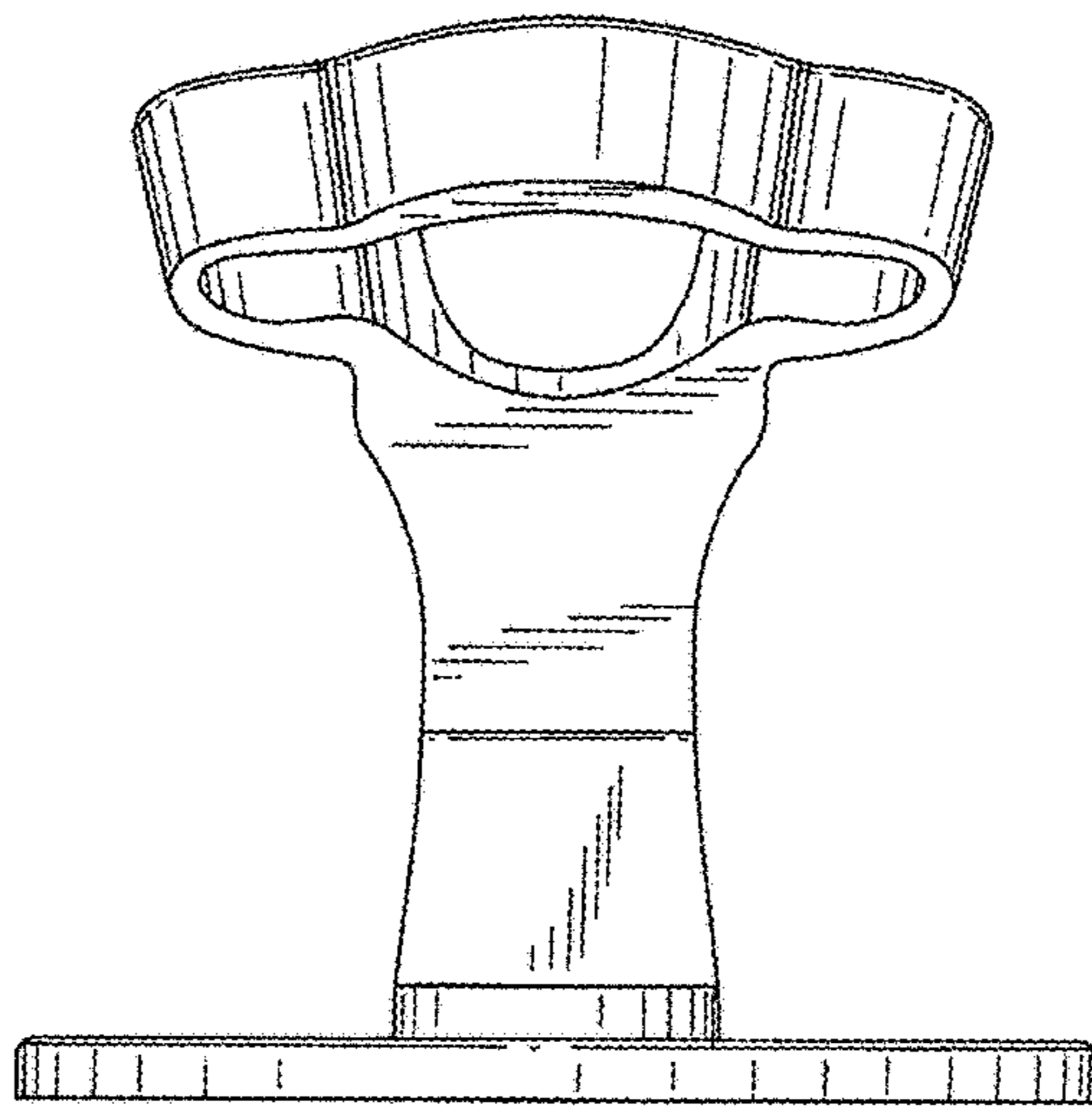


FIG.6