



US00D792646S

(12) **United States Design Patent** (10) **Patent No.:** **US D792,646 S**
Testa et al. (45) **Date of Patent:** **** Jul. 18, 2017**

(54) **PLUG DEVICE**
(71) Applicant: **Moose Labs LLC**, Marina del Rey, CA (US)
(72) Inventors: **Maria Testa**, Marina del Rey, CA (US); **Daniel Rush**, Marina del Rey, CA (US); **Jason Rush**, Marina del Rey, CA (US)
(73) Assignee: **Moose Labs LLC**, Marina del Rey, CA (US)
(**) Term: **15 Years**
(21) Appl. No.: **29/551,157**
(22) Filed: **Jan. 11, 2016**
(51) **LOC (10) Cl.** **27-02**
(52) **U.S. Cl.**
USPC **D27/167**
(58) **Field of Classification Search**
USPC D7/584, 585; D9/500, 502; D11/143, D11/144, 146, 152; D24/110.5; D26/2; D27/100, 101, 106, 143, 152, 172, 183, D27/187, 189, 190, 193, 194, 162-171; 131/220-222, 126, 173, 174, 194, 131/329-330
CPC A24F 1/02; A24F 1/04; A24F 1/06; A24F 1/08; A24F 1/10; A24F 1/12; A24F 1/14; A24F 1/22; A24F 1/28; A24F 1/30; A24F 9/10; A24F 47/002; A24F 47/00
See application file for complete search history.

D745,994 S * 12/2015 Hanna D27/162
D745,995 S * 12/2015 Albathe D27/162
D757,356 S * 5/2016 Liu D27/162
D766,502 S * 9/2016 Starr D27/165
2012/0118306 A1* 5/2012 Mehio A24F 1/30
131/328

(Continued)

FOREIGN PATENT DOCUMENTS

CN 303429827 S 11/2015

OTHER PUBLICATIONS

Plug Device | Orbit | Shisha Cigar Holder | posted at <https://www.questel.com>, posting date May 20, 2015 © n/a <https://www.questel.com> [online], [site visited Apr. 4, 2017], Available at <https://www.questel.com/>.*

Primary Examiner — Eric Goodman
Assistant Examiner — Jennifer Wright
(74) *Attorney, Agent, or Firm* — Seth D. Levy; Nixon Peabody LLP

(57) **CLAIM**

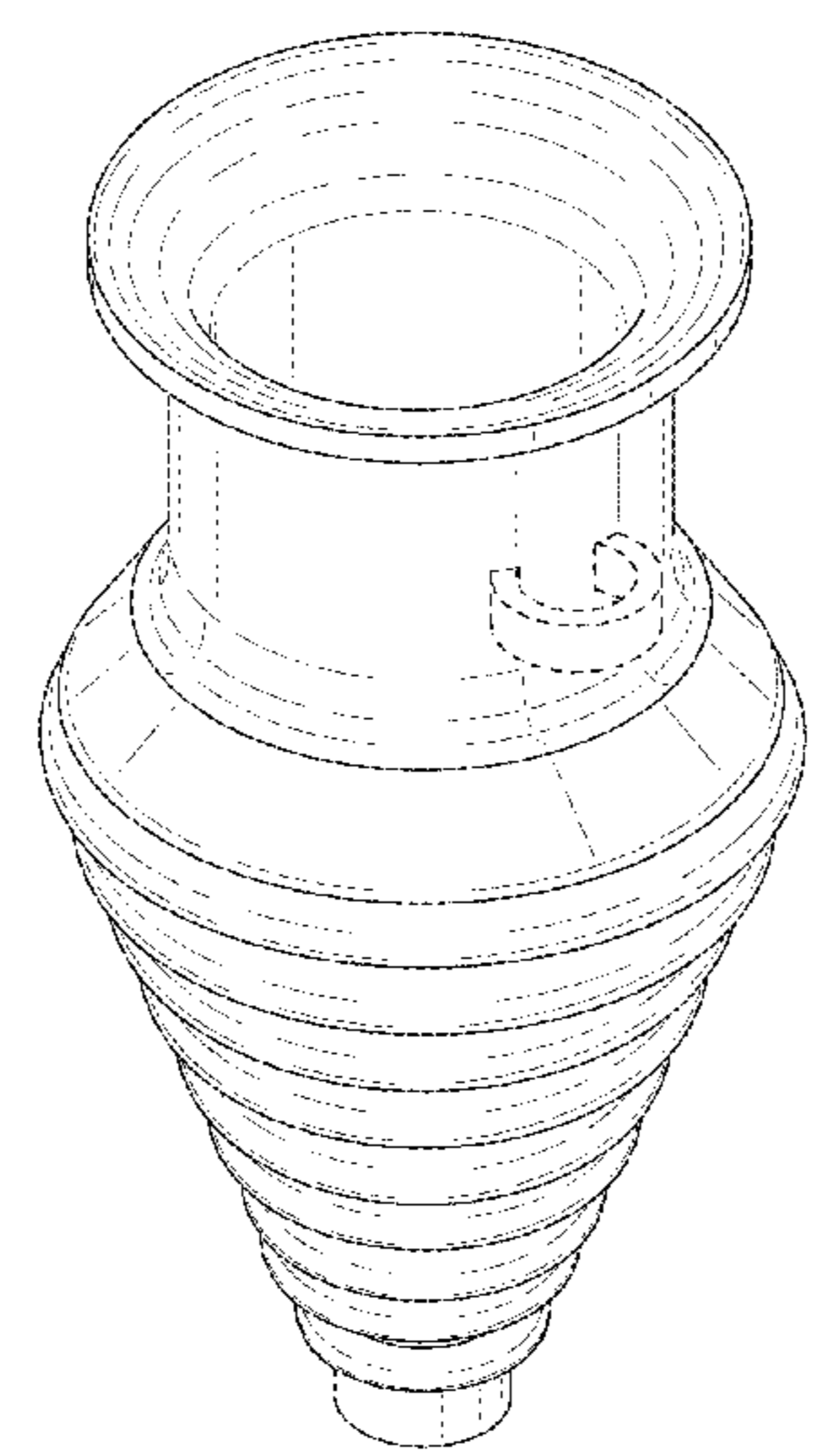
The ornamental design for a plug device, as shown and described.

DESCRIPTION

FIG. 1 is a perspective view of a plug device of the present invention, with a side member depicted in broken lines; FIG. 2 is a front view thereof; FIG. 3 is a rear view thereof; FIG. 4 is a left side view thereof; FIG. 5 is a bottom view thereof; FIG. 6 is a top view thereof; and, FIG. 7 is a section view thereof with reference to the cross-section arrows depicted in FIG. 6. The broken lines in the drawings depict environmental subject matter only and form no part of the claimed design.

1 Claim, 6 Drawing Sheets

(56) **References Cited**
U.S. PATENT DOCUMENTS
D247,255 S * 2/1978 Frost D27/162
D265,935 S * 8/1982 Sher D27/162
D266,605 S * 10/1982 Sher D27/162
D269,659 S * 7/1983 Holloway D7/300.2
D731,113 S * 6/2015 Wu D27/101
D731,705 S * 6/2015 Nadeem D27/162



(56)

References Cited

U.S. PATENT DOCUMENTS

2014/0083441 A1 * 3/2014 Kaplani A24F 47/008
131/329

* cited by examiner

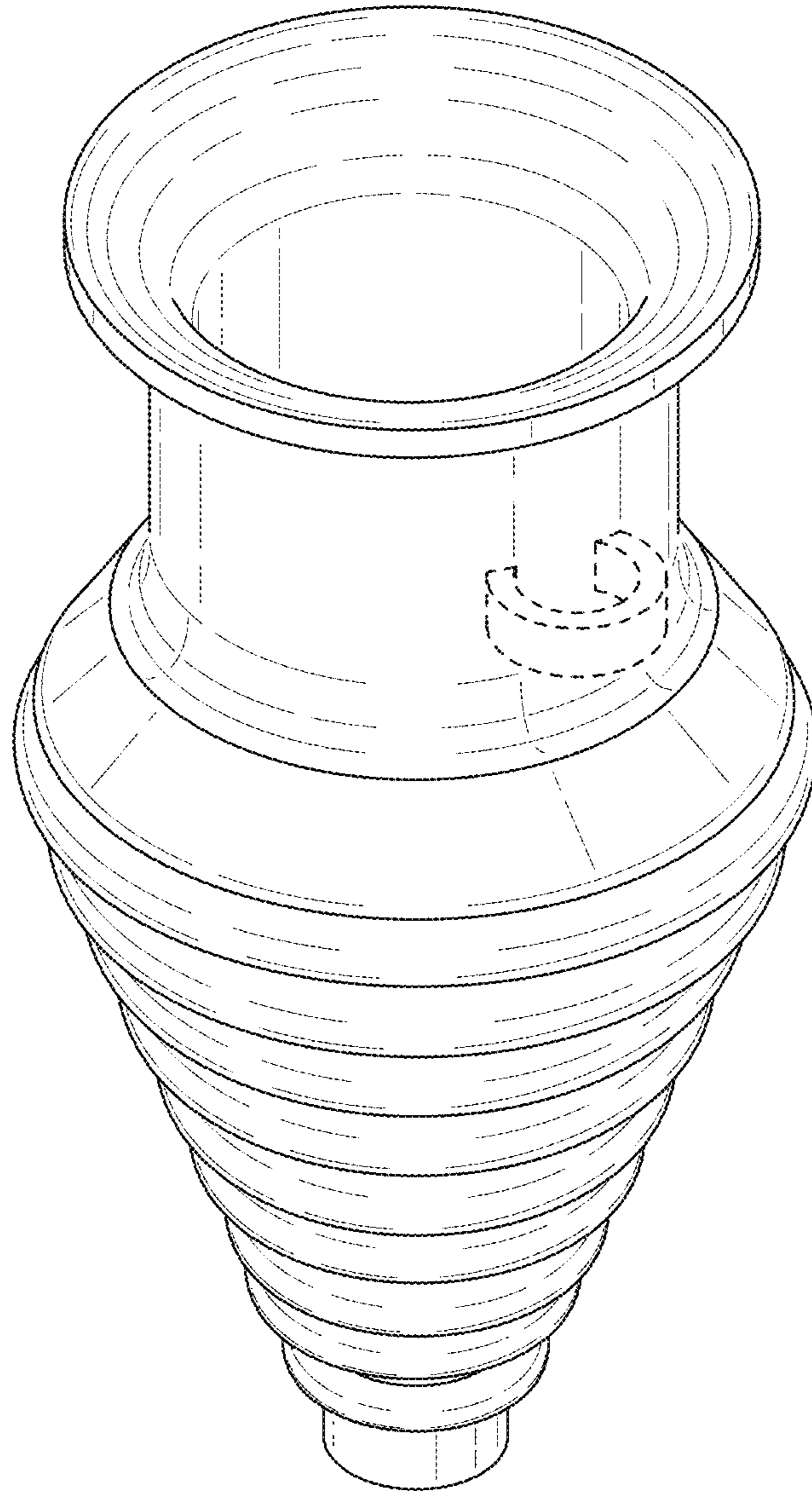


FIG. 1

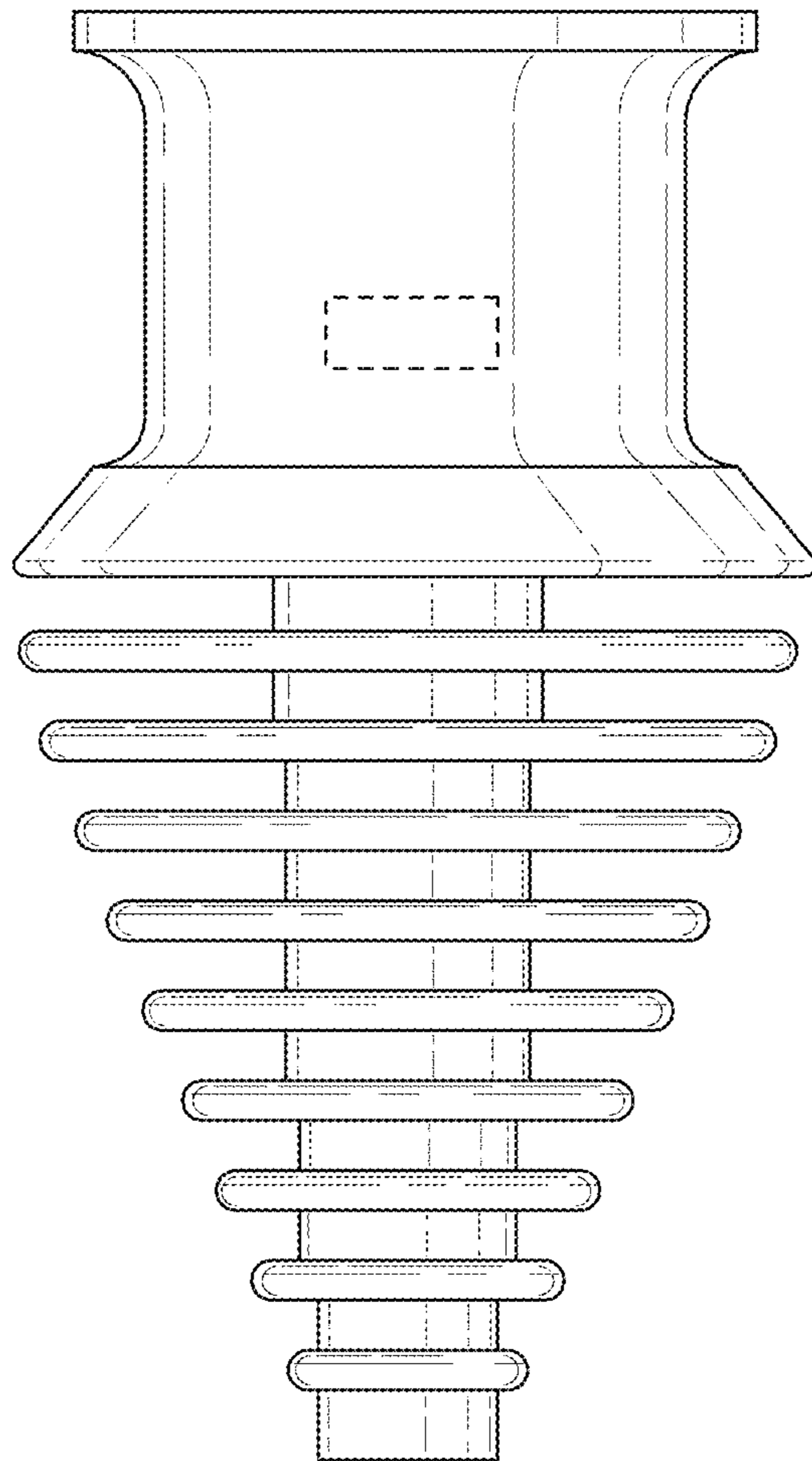


FIG. 2

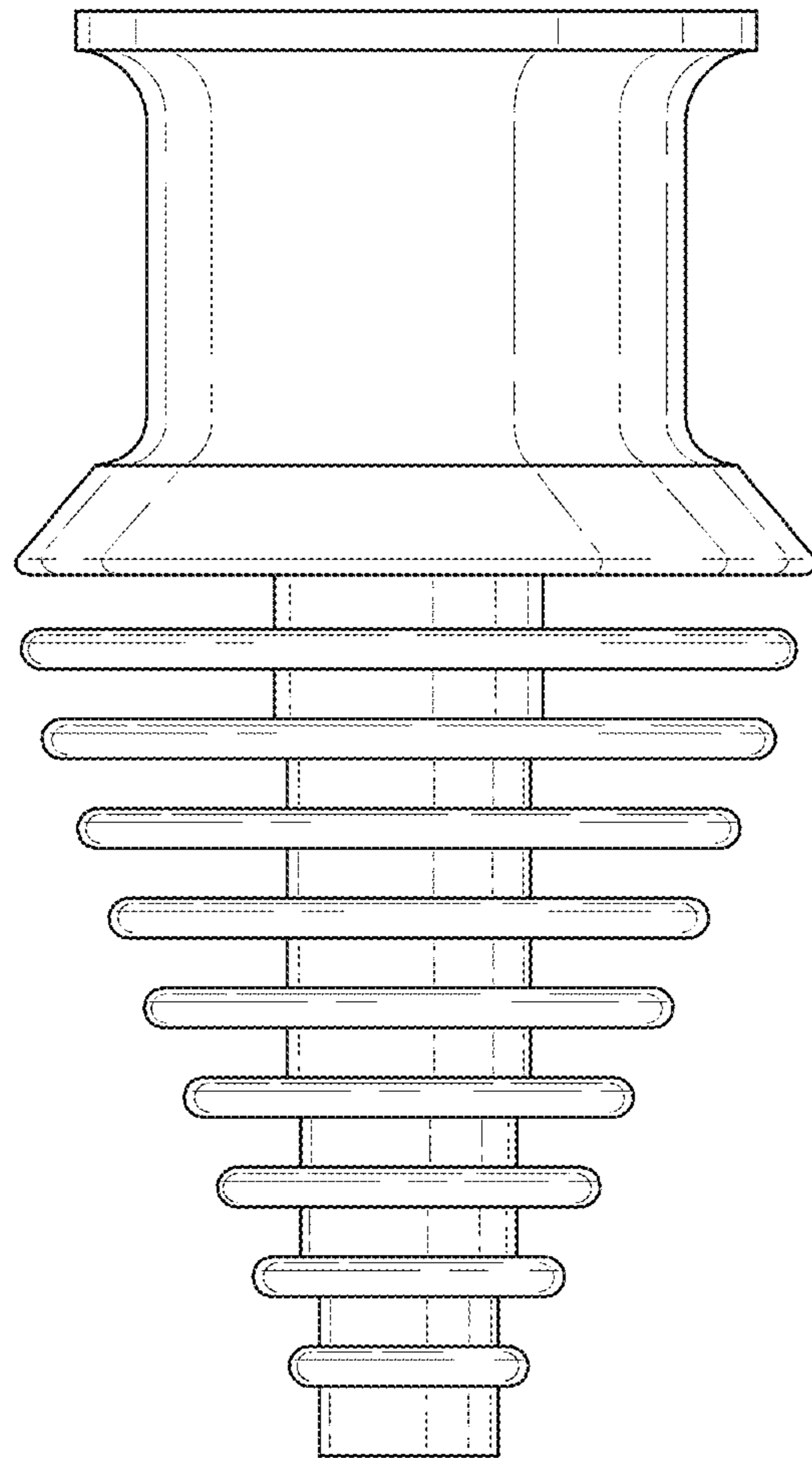


FIG. 3

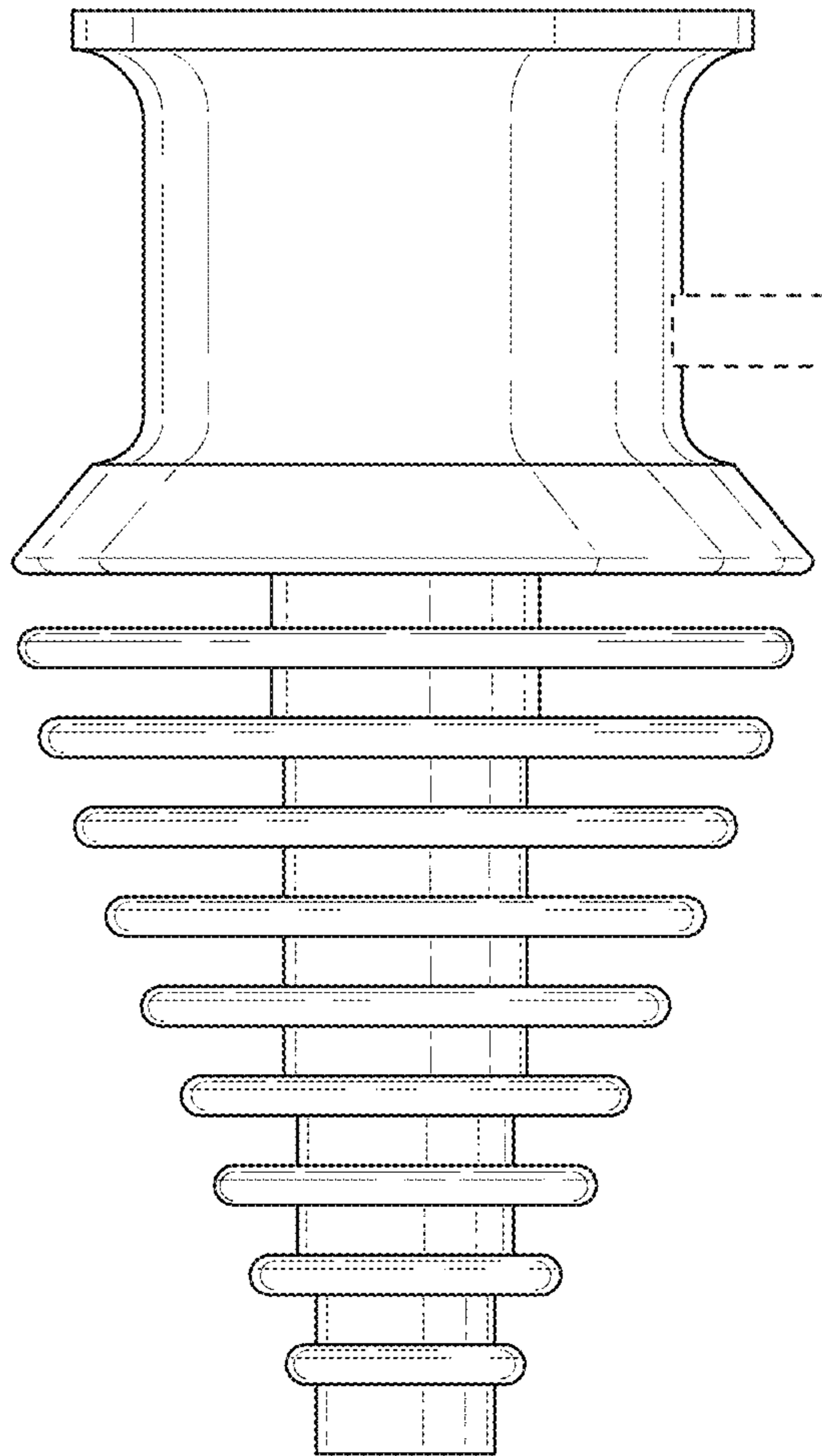


FIG. 4

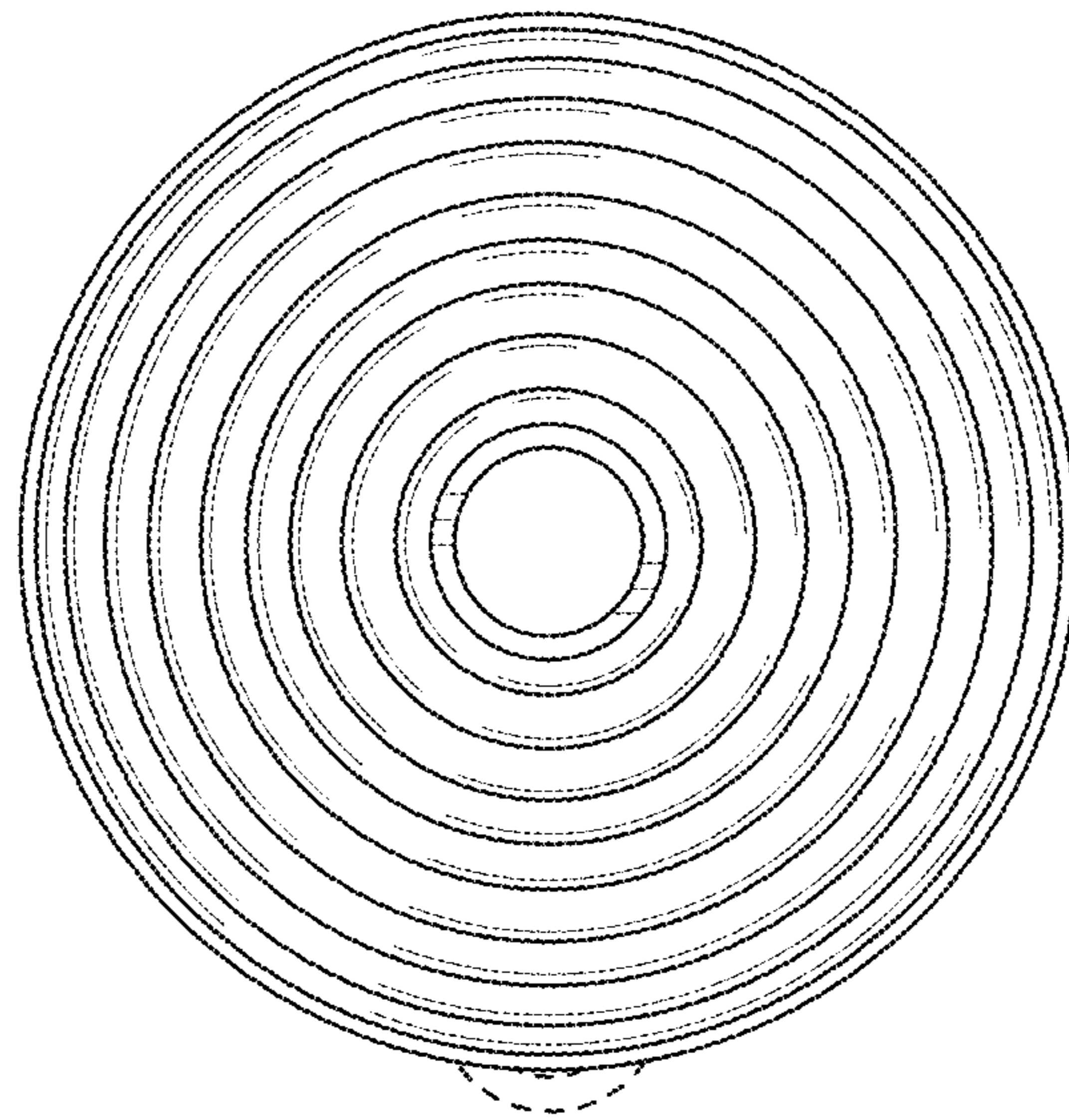


FIG. 5

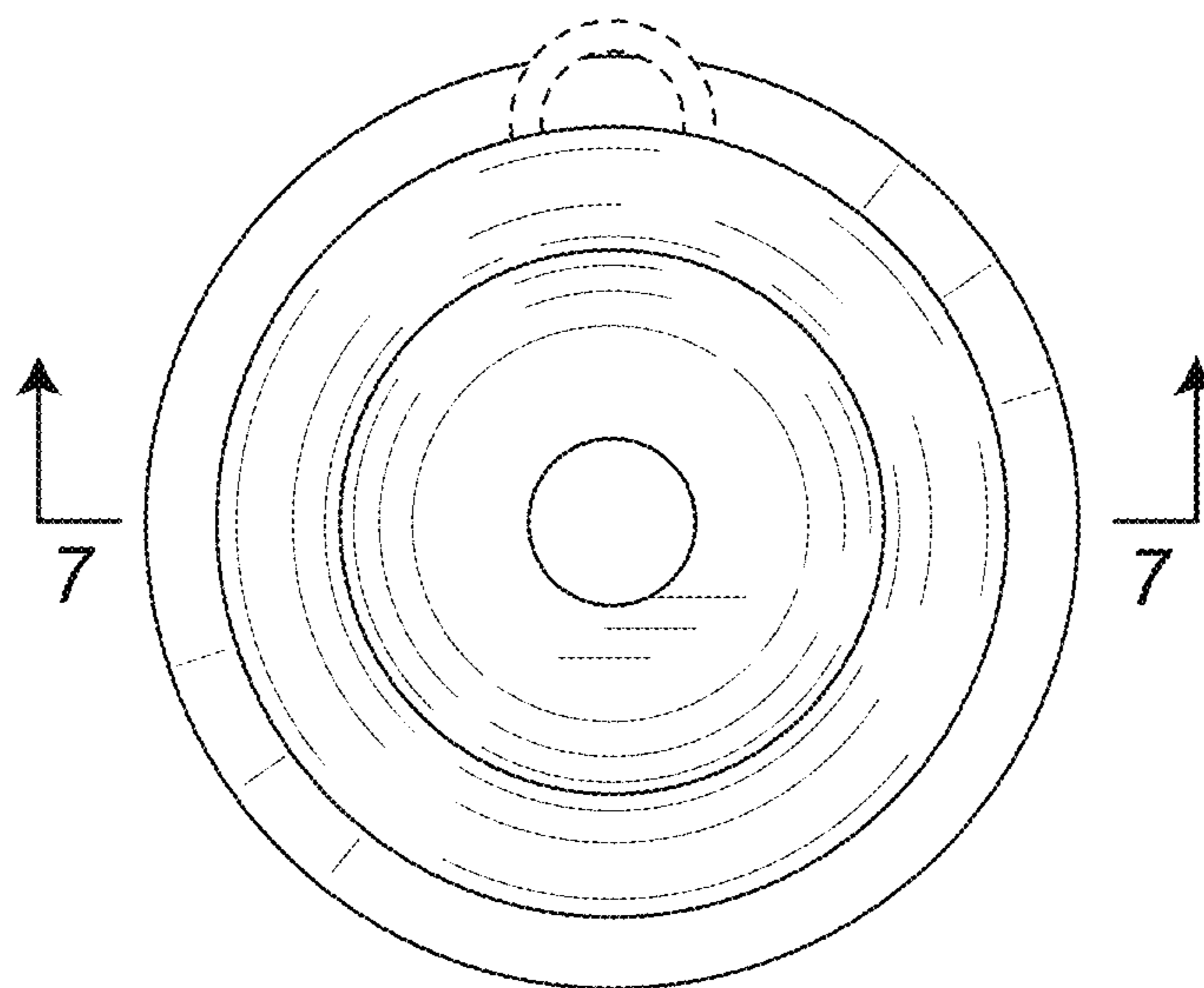


FIG. 6

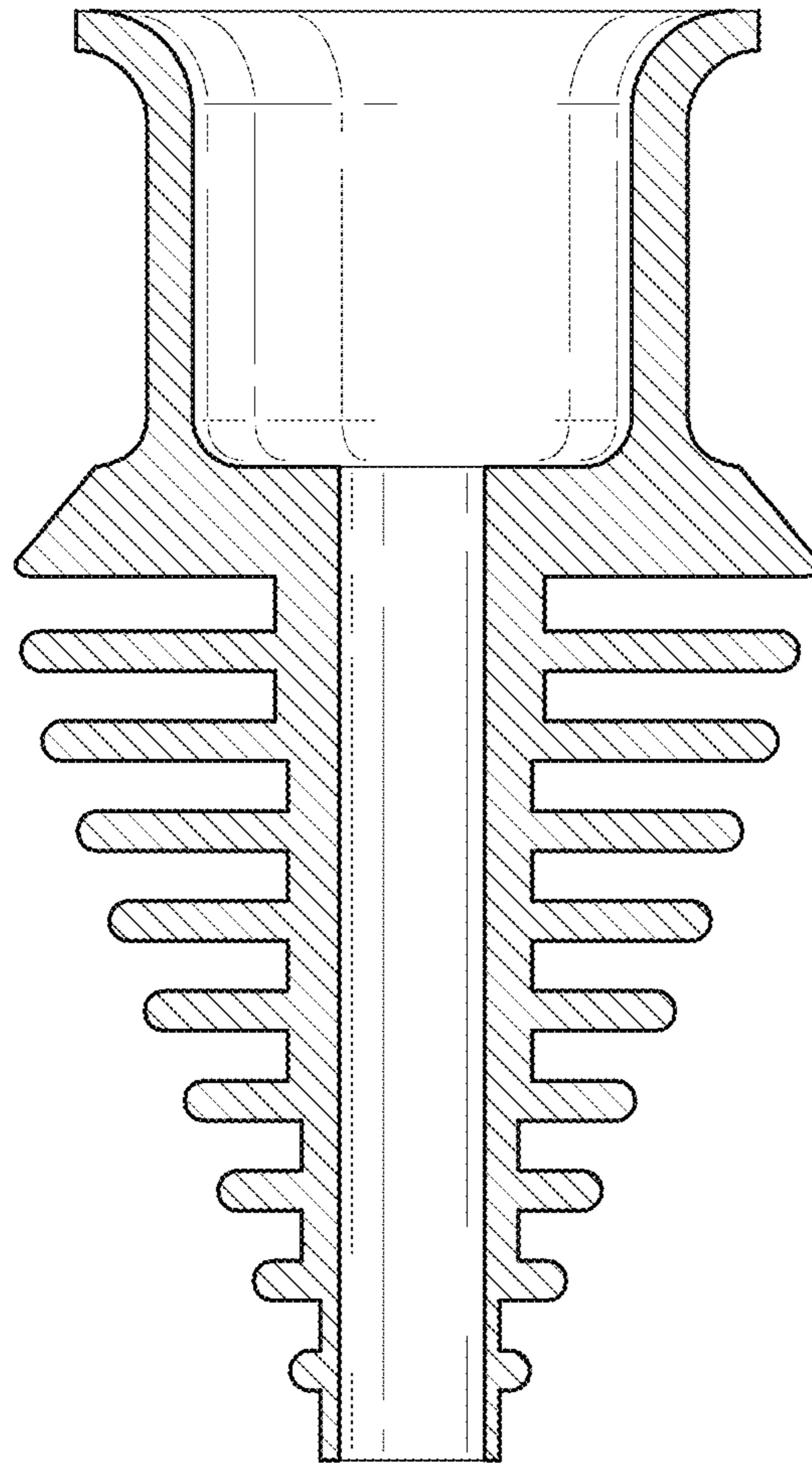


FIG. 7