

US00D792645S

(12) **United States Design Patent**  
**Fornarelli**

(10) **Patent No.:** **US D792,645 S**

(45) **Date of Patent:** **\*\* Jul. 18, 2017**

(54) **TANK**

(71) Applicant: **AVANZATO TECHNOLOGY CORPORATION**, Chicago, IL (US)

(72) Inventor: **Thomas Fornarelli**, Chicago, IL (US)

(73) Assignee: **Avanzato Technology Corp.**, Chicago, IL (US)

(\*\*) Term: **15 Years**

(21) Appl. No.: **29/535,042**

(22) Filed: **Aug. 3, 2015**

(51) **LOC (10) Cl.** ..... **27-02**

(52) **U.S. Cl.**  
USPC ..... **D27/167**

(58) **Field of Classification Search**  
USPC ..... D27/100, 101, 162, 163-167, 169, 170,  
D27/171, 193, 194; D23/202; D13/103;  
D26/11

CPC ..... A24F 47/008; A24F 47/002; A24F 15/12;  
A24F 47/00; A61M 15/06

See application file for complete search history.

(56) **References Cited**

**U.S. PATENT DOCUMENTS**

D285,614 S \* 9/1986 Vanbragt ..... D26/11  
D413,172 S \* 8/1999 Belschner ..... D26/11

D450,862 S \* 11/2001 Alcedo ..... D26/11  
D652,571 S \* 1/2012 Shenassa ..... D27/163  
D661,827 S \* 6/2012 Moetteli ..... D26/11  
D695,450 S \* 12/2013 Benassayag ..... D24/110.5  
D741,001 S \* 10/2015 Alarcon ..... D27/167  
D742,563 S \* 11/2015 Kasha ..... D26/22  
D749,261 S \* 2/2016 Chen ..... D27/162  
D752,280 S \* 3/2016 Verleur ..... D27/167  
D758,650 S \* 6/2016 Wu ..... D27/101  
2014/0376895 A1 \* 12/2014 Han ..... A24F 47/008  
392/395  
2015/0257446 A1 \* 9/2015 Chung ..... A24F 47/008  
131/329

\* cited by examiner

*Primary Examiner* — Robert M Spear

*Assistant Examiner* — Marissa J Cash

(74) *Attorney, Agent, or Firm* — Zareefa B. Flener; Flener IP Law

(57) **CLAIM**

The ornamental design for a tank, as shown and described.

**DESCRIPTION**

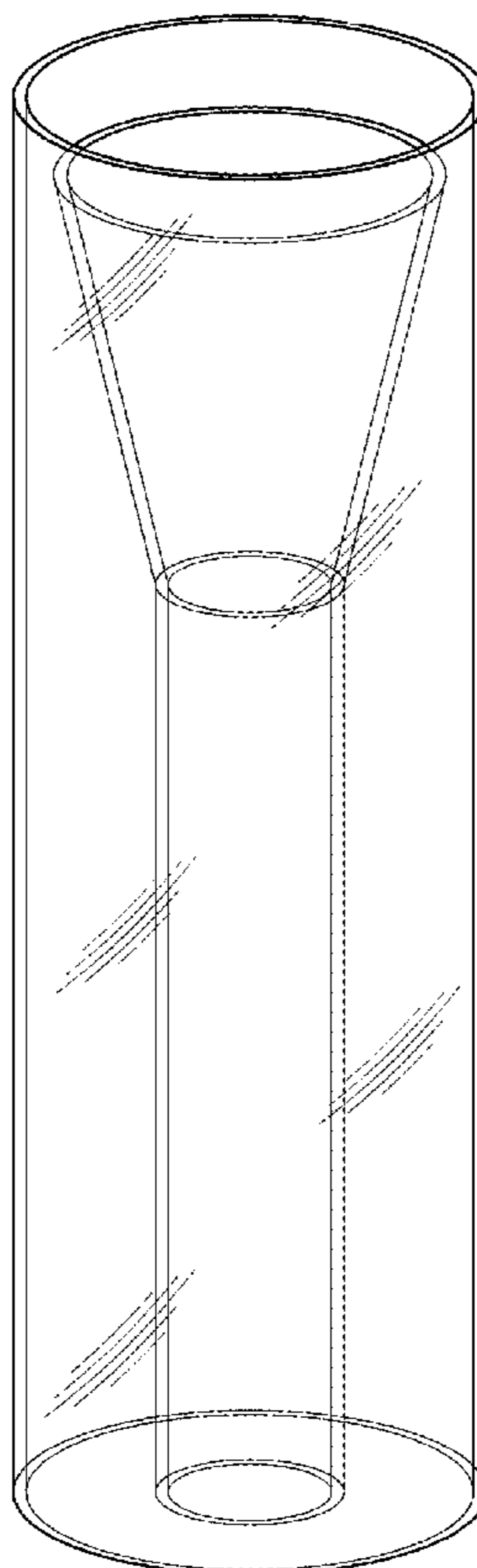
FIG. 1 is a top perspective view of a tank showing my new design;

FIG. 2 is a side elevational view thereof;

FIG. 3 is a top plan view thereof; and,

FIG. 4 is a bottom plan view thereof.

**1 Claim, 2 Drawing Sheets**



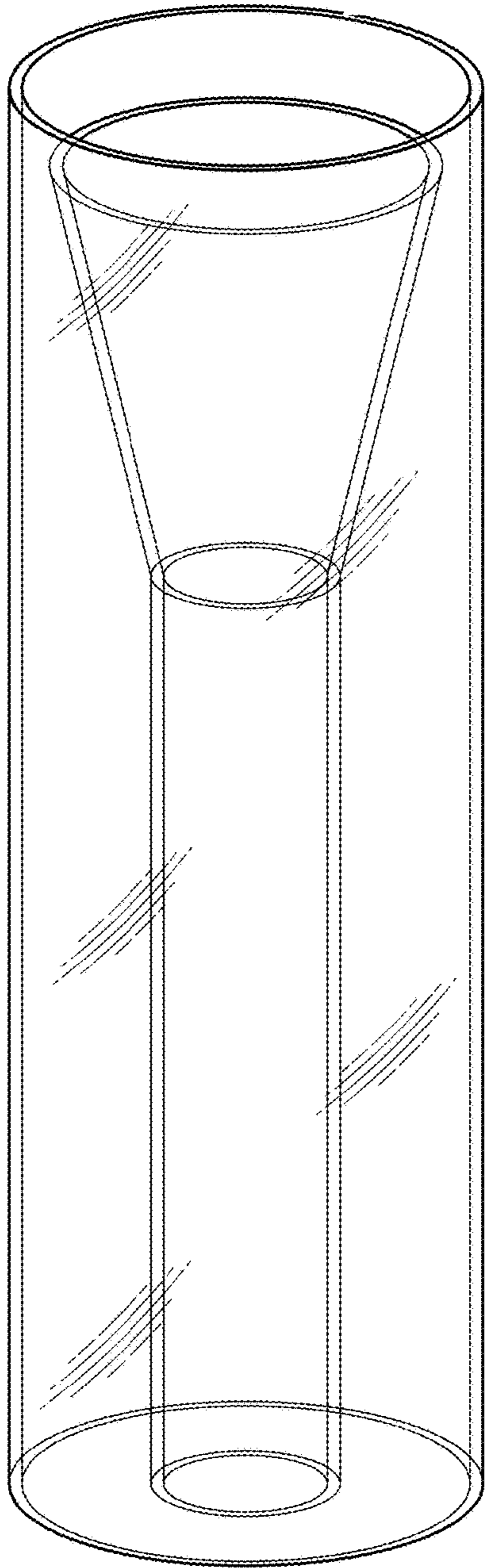


FIG. 1

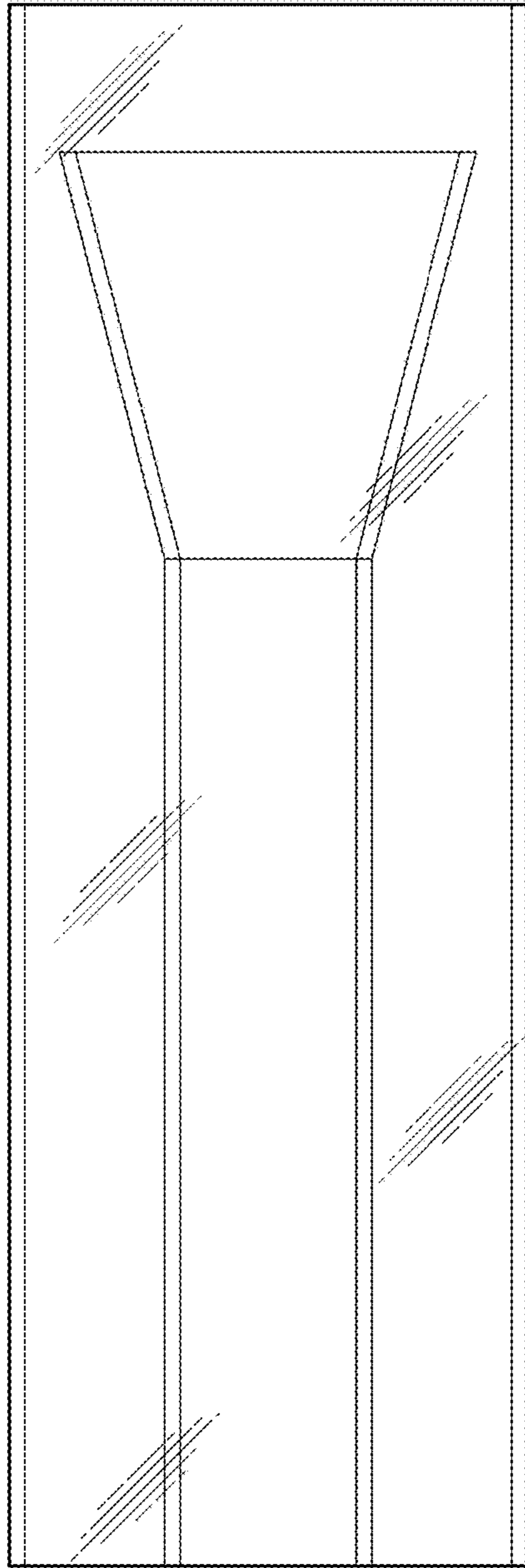


FIG. 2

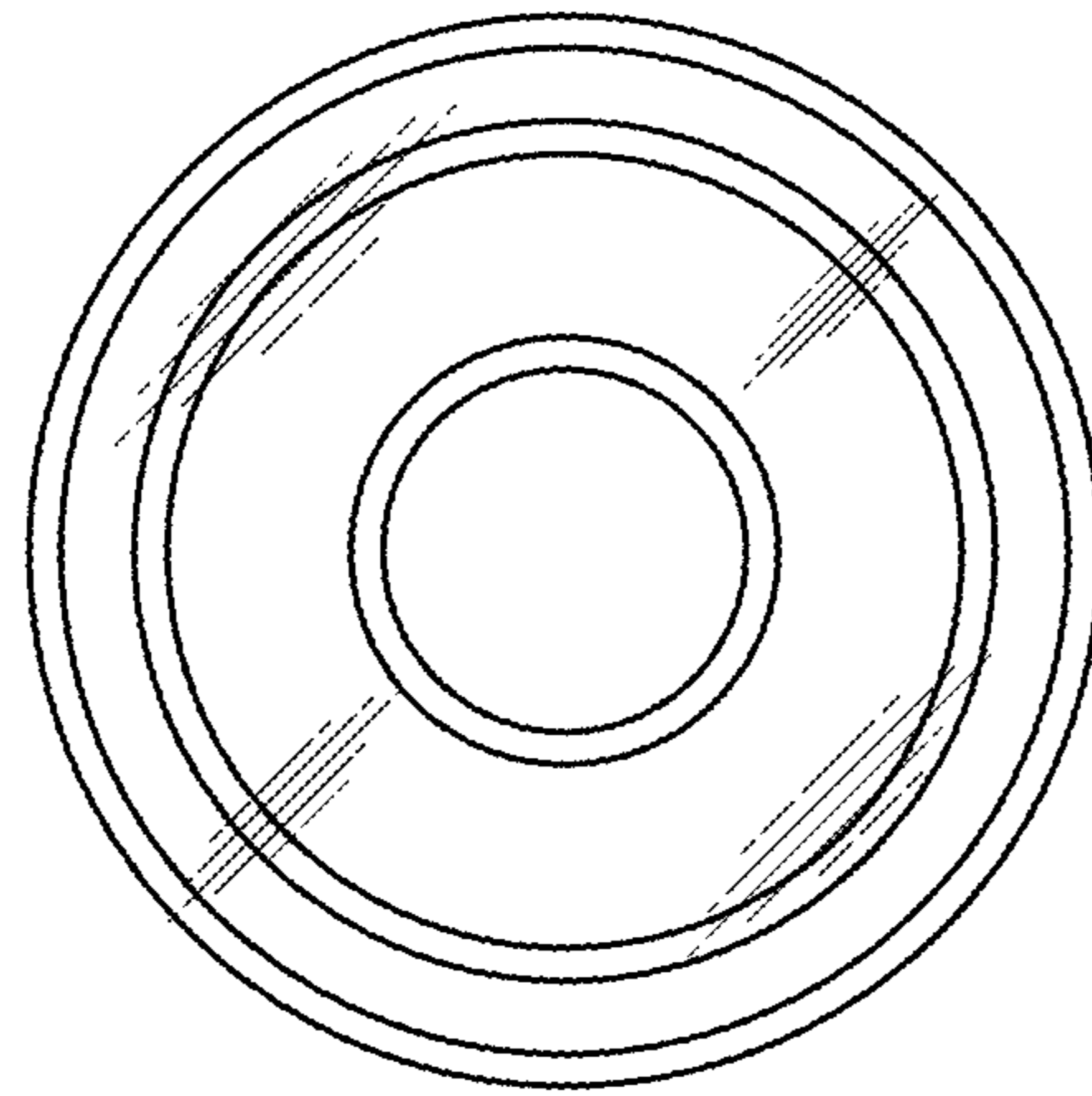


FIG. 3

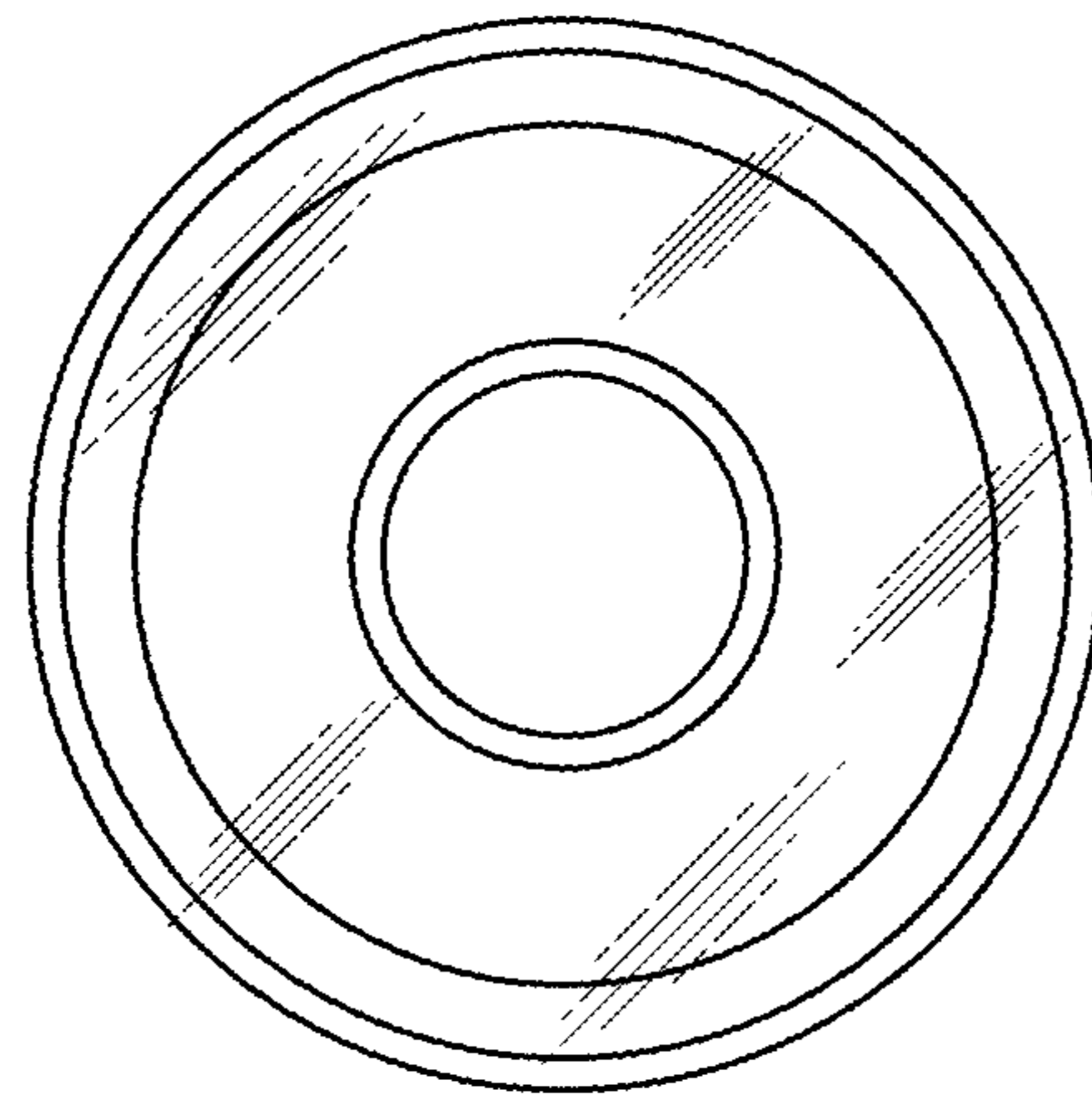


FIG. 4