



US00D792641S

(12) **United States Design Patent**  
**Ghasabi**

(10) **Patent No.:** **US D792,641 S**  
(45) **Date of Patent:** **\*\* Jul. 18, 2017**

(54) **ADAPTOR**

(71) Applicant: **LUMINIZ INC.**, Etobicoke (CA)

(72) Inventor: **Amir Ghasabi**, Etobicoke (CA)

(73) Assignee: **LUMINIZ INC.**, Etobicoke (CA)

(\*\*) Term: **15 Years**

(21) Appl. No.: **29/528,209**

(22) Filed: **May 27, 2015**

(30) **Foreign Application Priority Data**

Nov. 28, 2014 (CA) ..... 159791

(51) **LOC (10) Cl.** ..... **26-99**

(52) **U.S. Cl.**  
USPC ..... **D26/138**

(58) **Field of Classification Search**

USPC ..... D8/51, 53, 306, 321, 343, 34, 354, 355,  
D8/382, 344; D26/37, 44, 50, 51, 60, 61,  
D26/63, 65, 67, 68, 113, 138, 155

CPC ..... F21V 19/02; F21V 19/04; F21V 21/00;  
F21V 21/02; F21V 21/06; F21V 21/10;  
F21V 21/14

See application file for complete search history.

(56) **References Cited**

**U.S. PATENT DOCUMENTS**

D306,396 S \* 3/1990 Brushaber ..... 114/230.11  
D312,566 S \* 12/1990 Scherer ..... D8/355  
D395,996 S \* 7/1998 Fischer ..... D8/349  
D433,616 S \* 11/2000 Fischer ..... D8/355  
7,367,740 B2 \* 5/2008 Lazic ..... F16C 11/10  
248/125.1  
D640,125 S \* 6/2011 Rosenkranz ..... D8/373  
D658,480 S \* 5/2012 Pratt ..... D8/349  
D659,871 S \* 5/2012 Lee ..... D26/63

(Continued)

*Primary Examiner* — Garth Rademaker

*Assistant Examiner* — Richard Kearney

(74) *Attorney, Agent, or Firm* — Perry + Currier Inc.

(57) **CLAIM**

What is claimed is the ornamental design for an adaptor, as shown and described.

**DESCRIPTION**

FIG. 1 is a top perspective view of the adaptor according to a first embodiment.

FIG. 2 is a right side elevation view of the adaptor of FIG. 1.

FIG. 3 is a front side elevation view of the adaptor of FIG. 1.

FIG. 4 is a left side elevation view of the adaptor of FIG. 1.

FIG. 5 is a back side elevation view of the adaptor of FIG. 1.

FIG. 6 is a top view of the adaptor of FIG. 1.

FIG. 7 is a bottom view of the adaptor of FIG. 1.

FIG. 8 is a top perspective view of the adaptor of FIG. 1 incorporated in a landscape light.

FIG. 9 is a top perspective view of an adaptor according to a second embodiment.

FIG. 10 is a right side elevation view of the adaptor of FIG. 9.

FIG. 11 is a front side elevation view of the adaptor of FIG. 9.

FIG. 12 is a left side elevation view of the adaptor of FIG. 9.

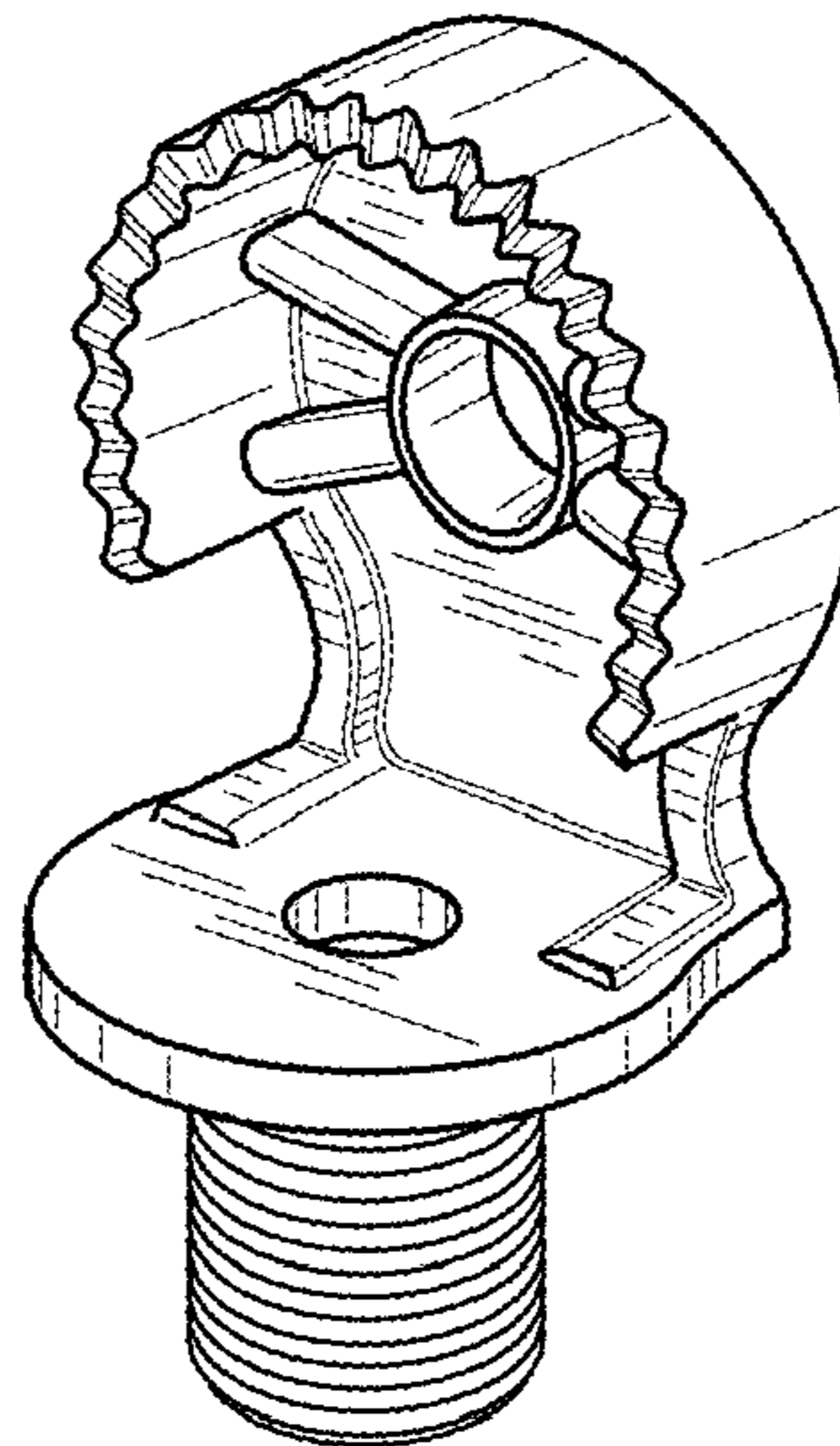
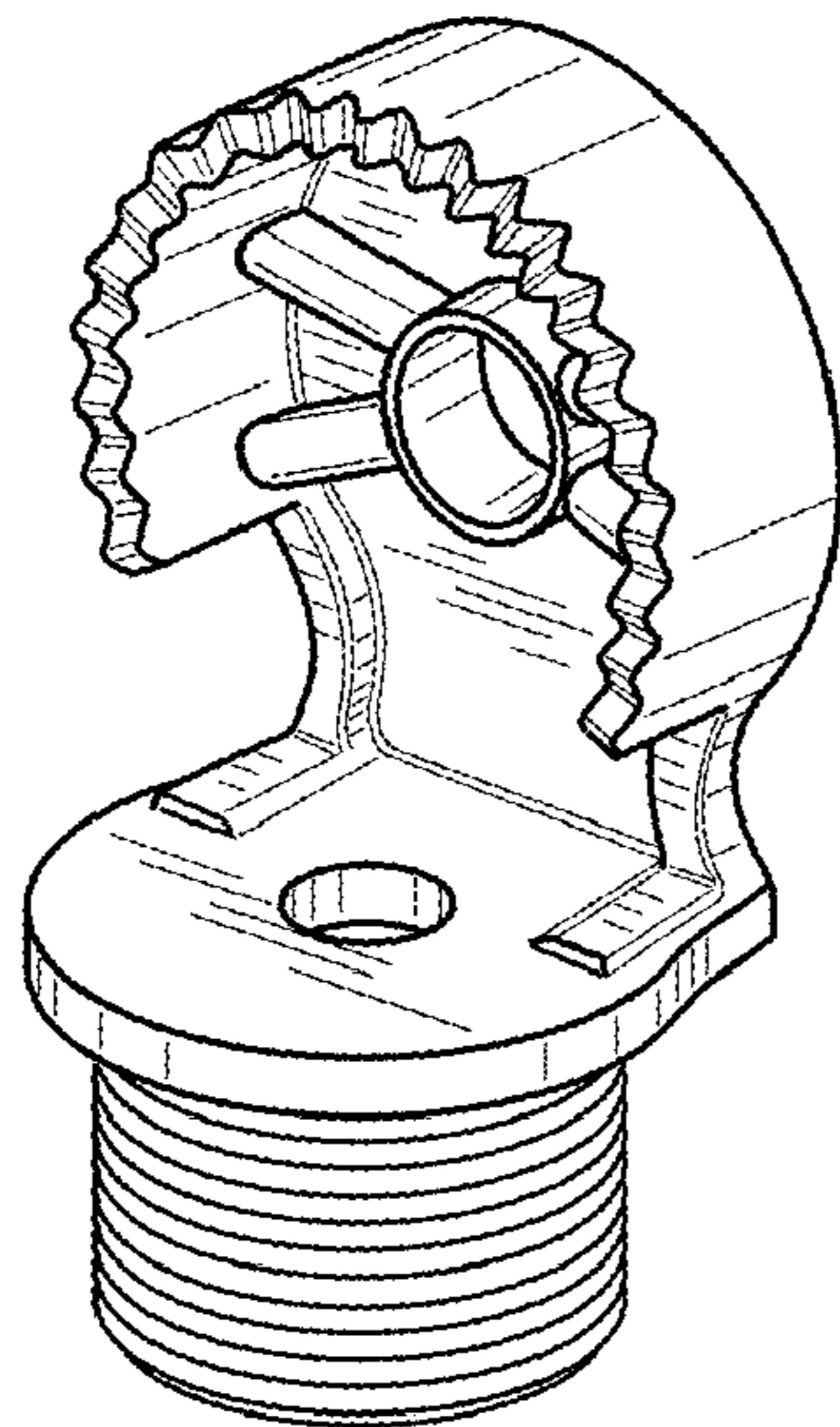
FIG. 13 is a back side elevation view of the adaptor of FIG. 9.

FIG. 14 is a top view of the adaptor of FIG. 9.

FIG. 15 is a bottom view of the adaptor of FIG. 9; and, FIG. 16 is a top perspective view of the adaptor of FIG. 9 incorporated in a landscape light.

The broken lines shown in FIGS. 8 and 16 illustrate environmental structure and form no part of the claimed design.

**1 Claim, 6 Drawing Sheets**



(56)

**References Cited**

U.S. PATENT DOCUMENTS

D667,159	S	*	9/2012	Wauters	.....	D26/85
D712,487	S	*	9/2014	Strand	.....	D21/484
D735,923	S	*	8/2015	Helms	.....	D26/63
D742,731	S	*	11/2015	Zedan	.....	D8/394
D750,475	S	*	3/2016	Bucher	.....	D8/382
D777,965	S	*	1/2017	Mirchandani	.....	D26/67
D779,098	S	*	2/2017	Tsai	.....	D26/67

\* cited by examiner

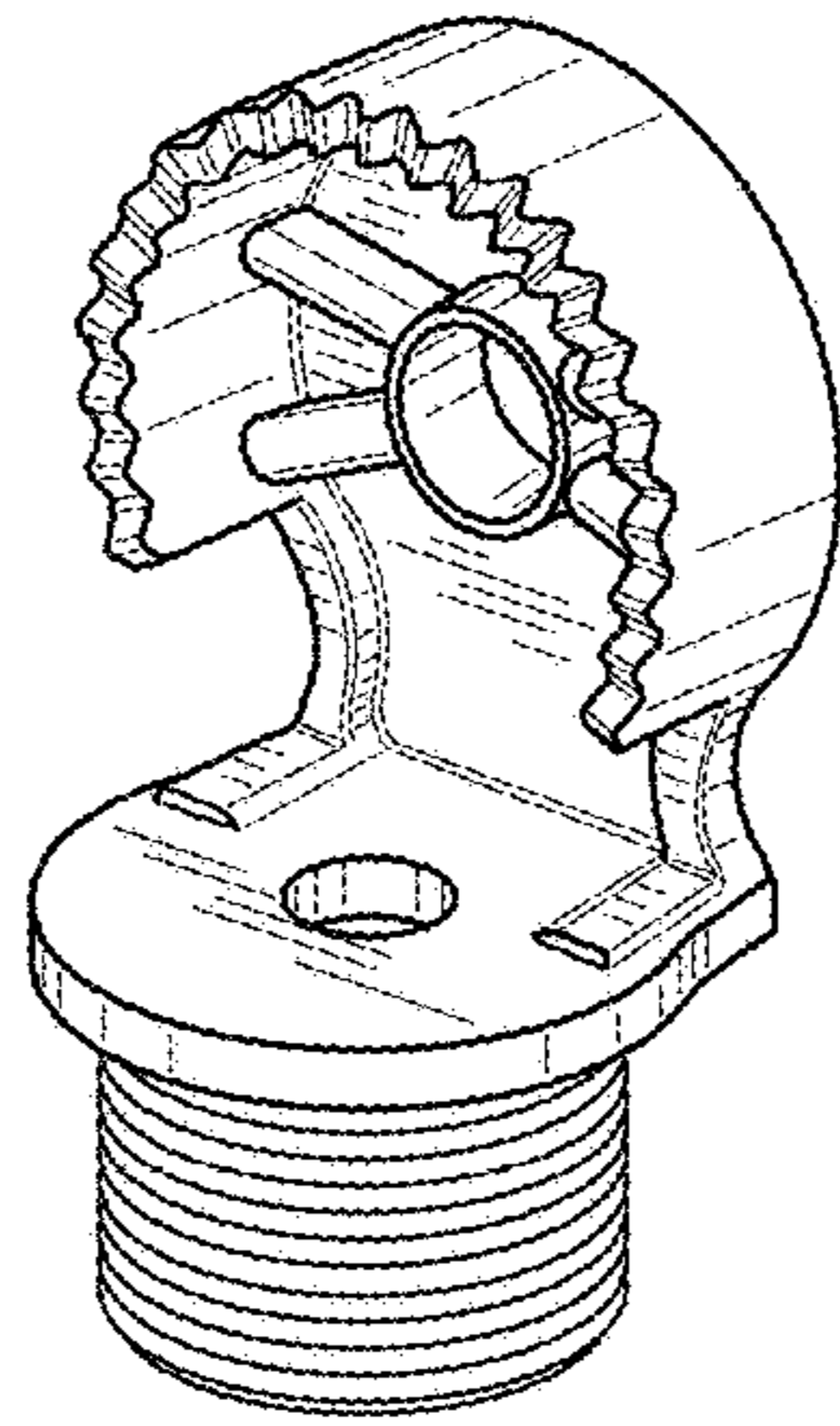


FIG. 1

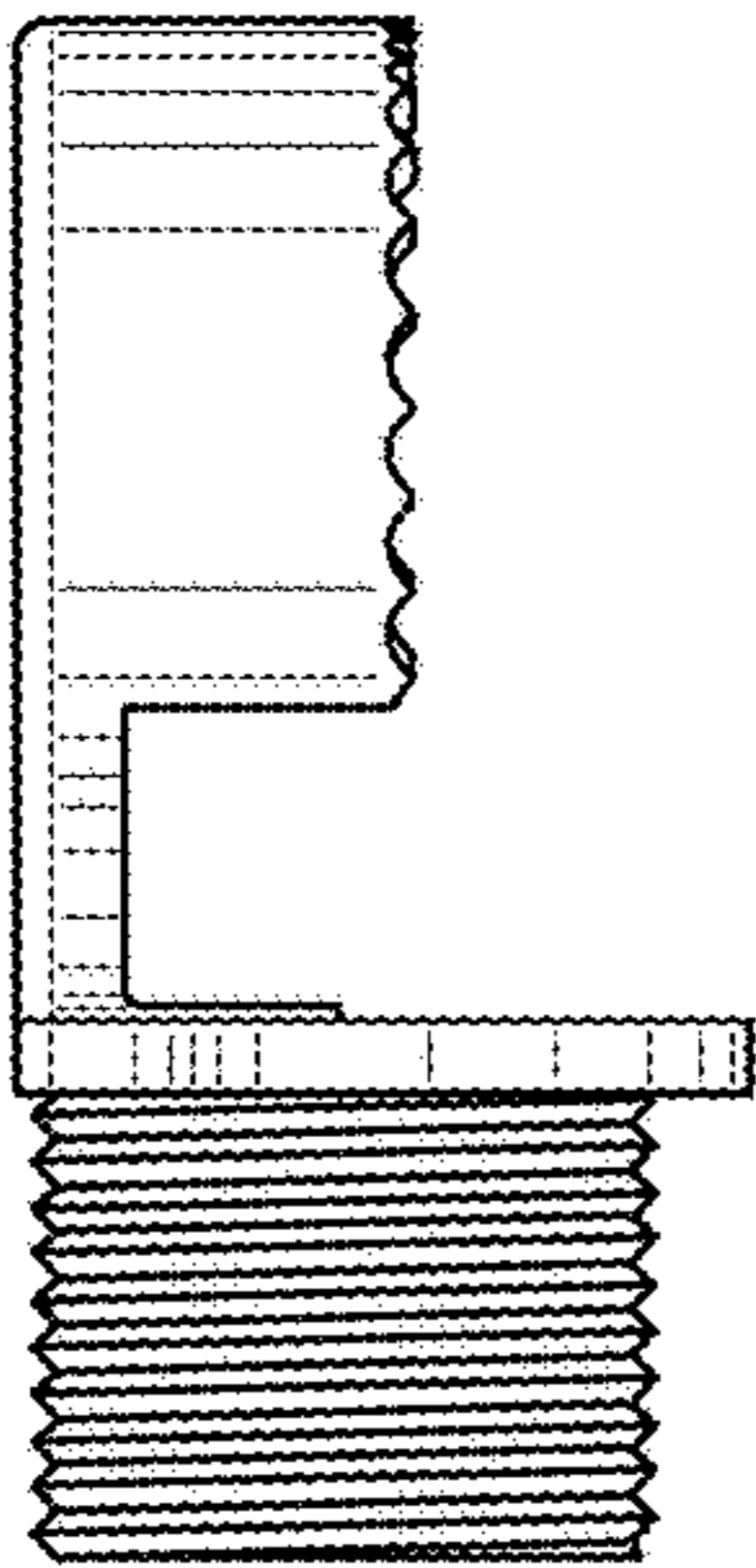


FIG. 2

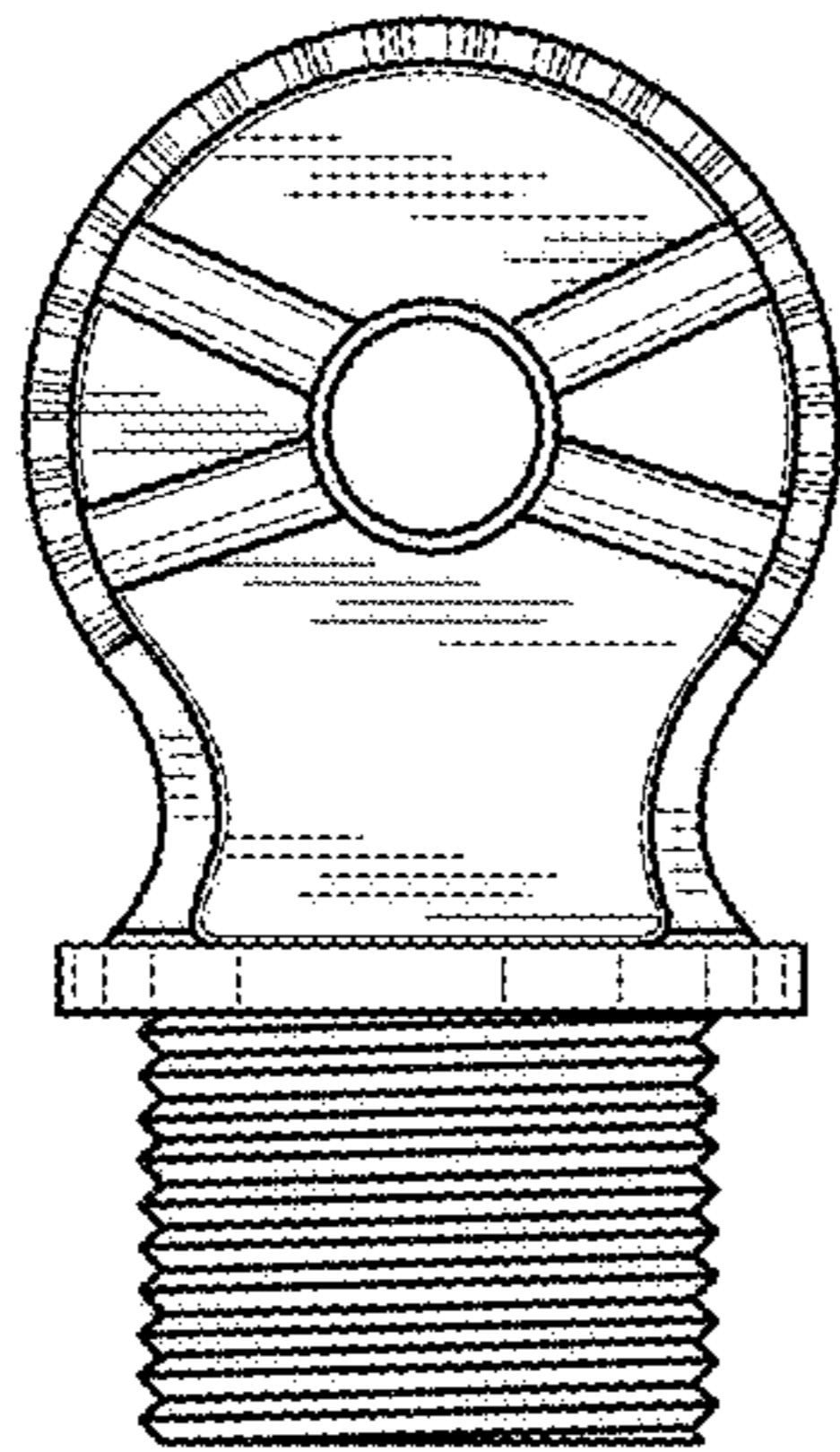


FIG. 3

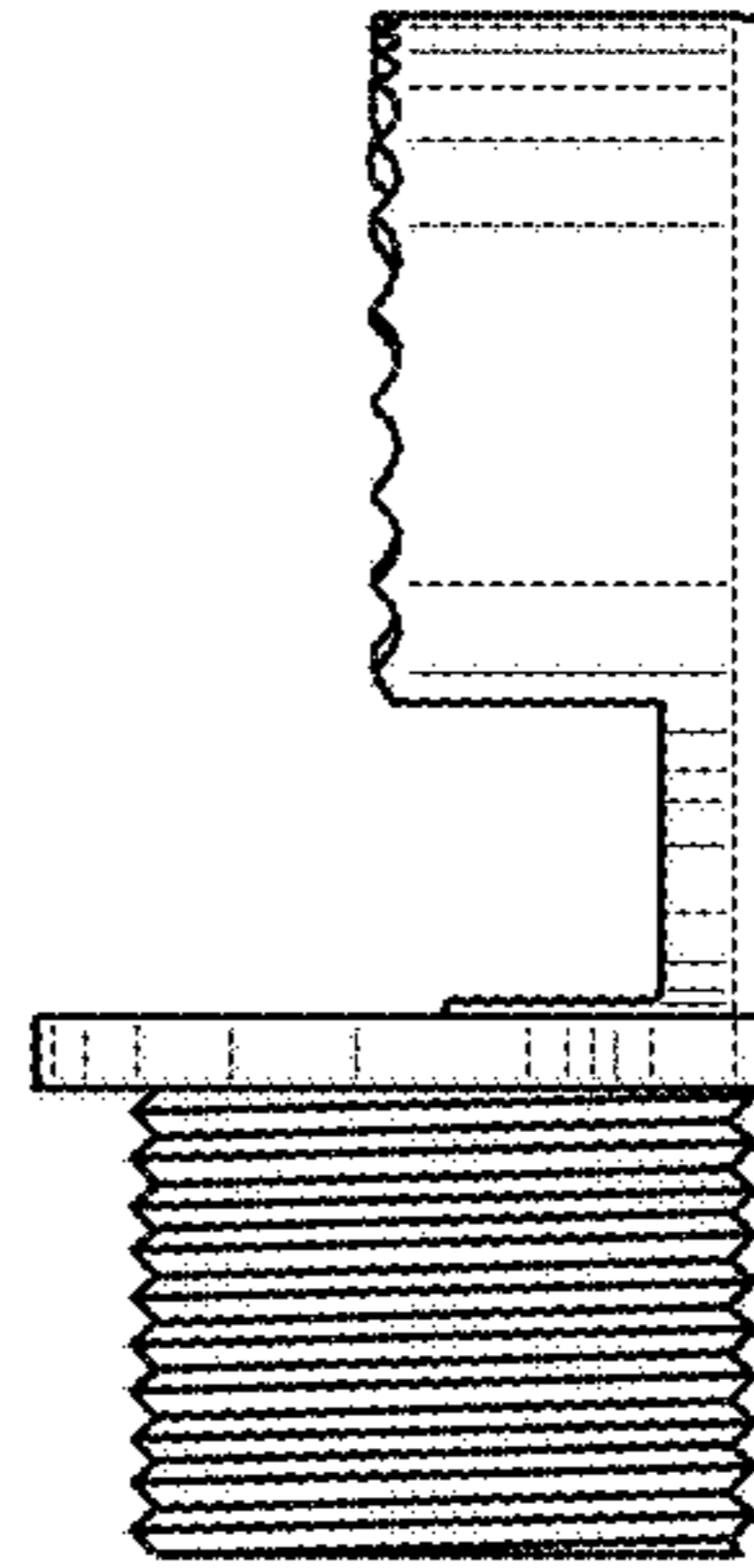


FIG. 4

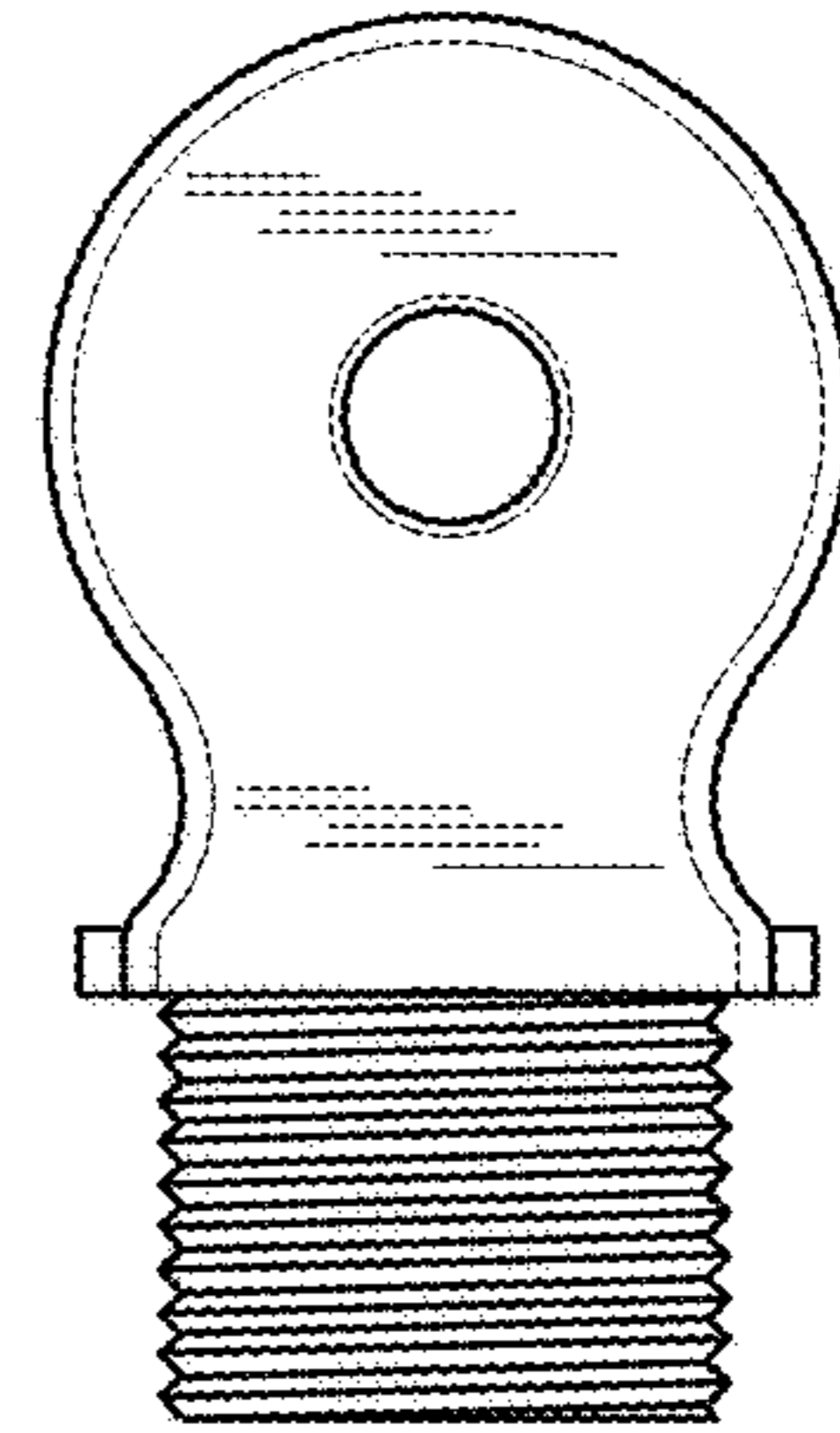
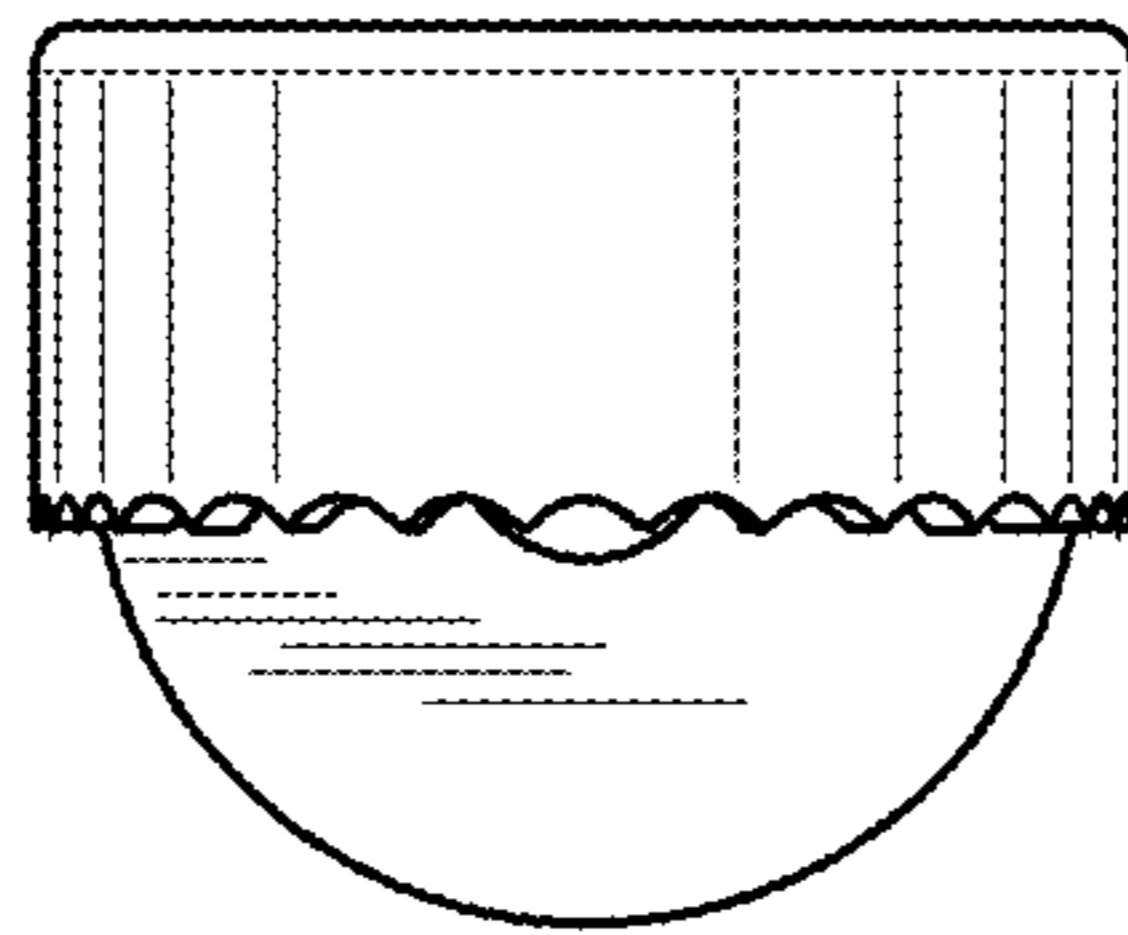
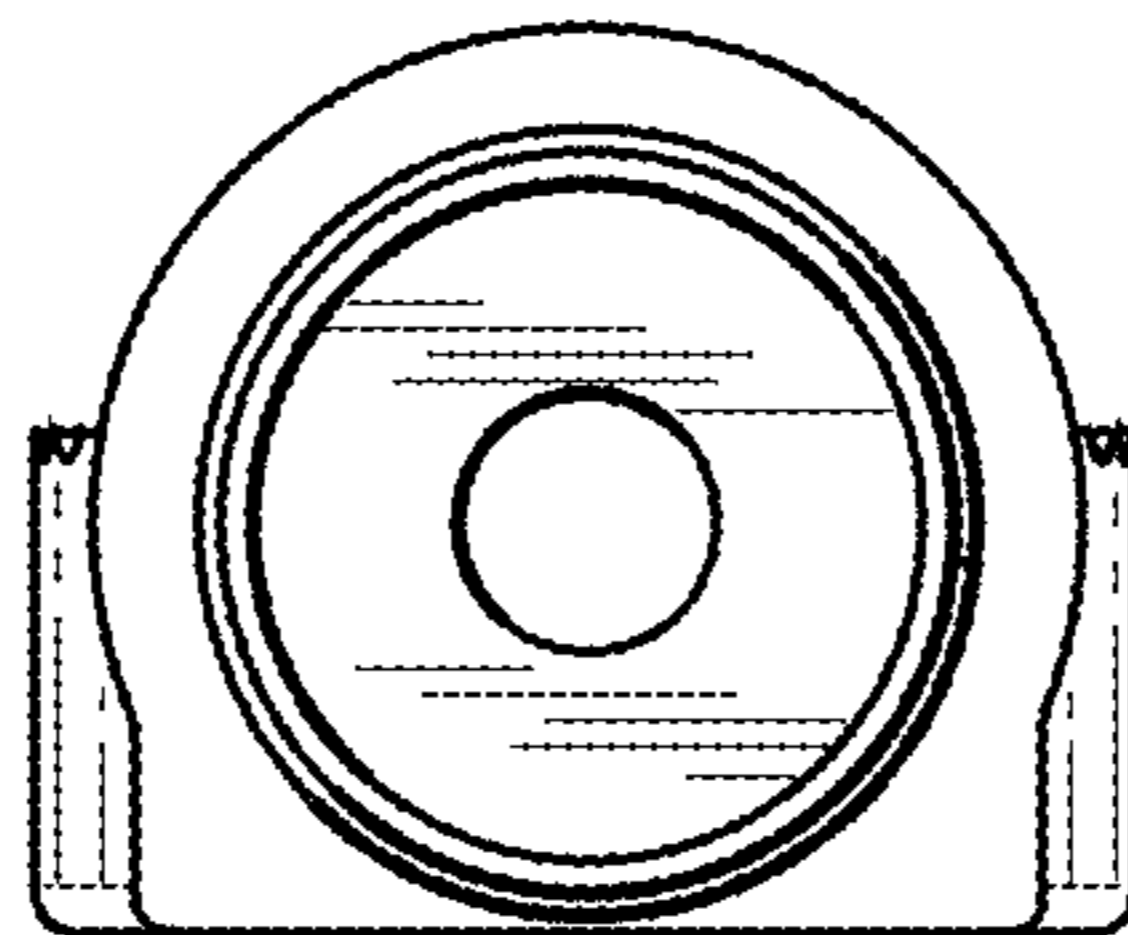


FIG. 5

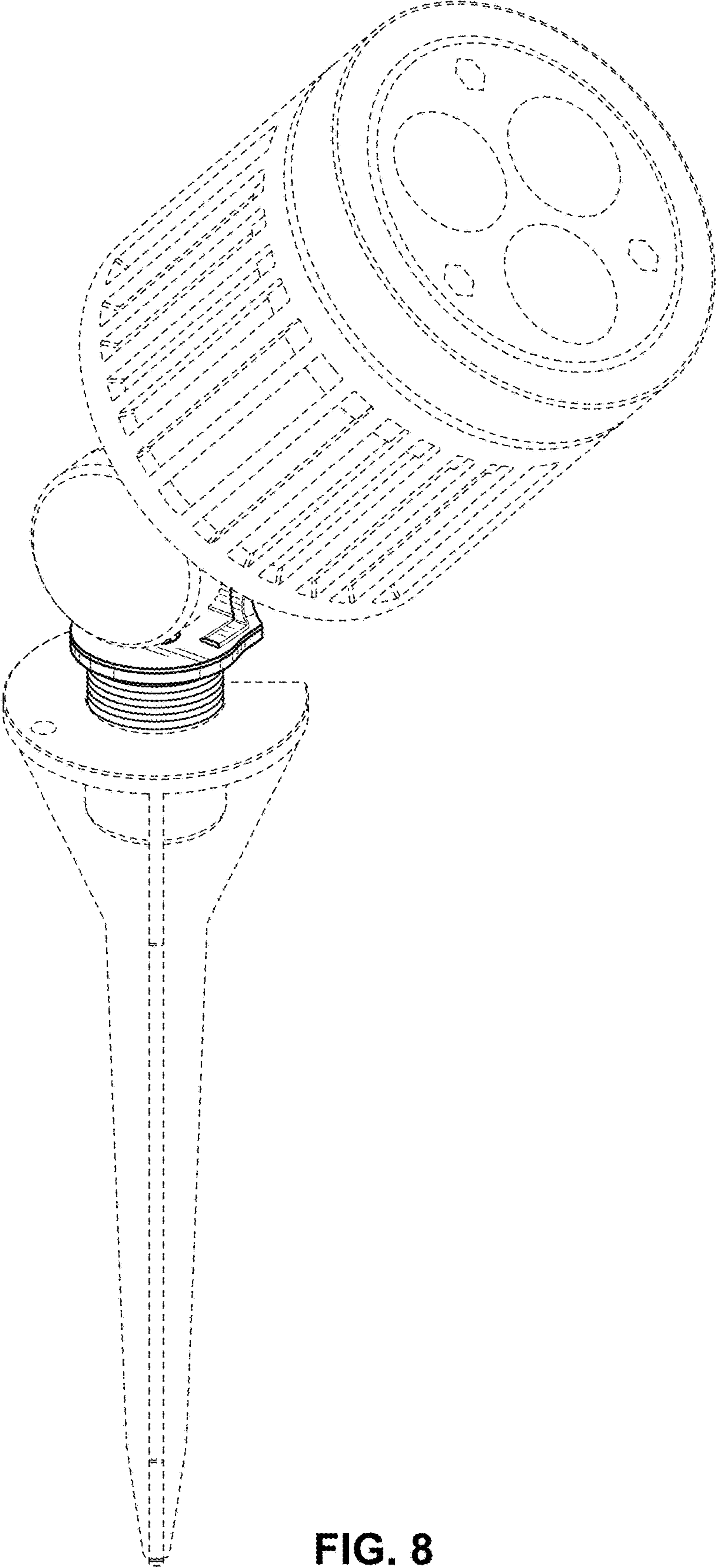


**FIG. 6**



**FIG. 7**





**FIG. 8**

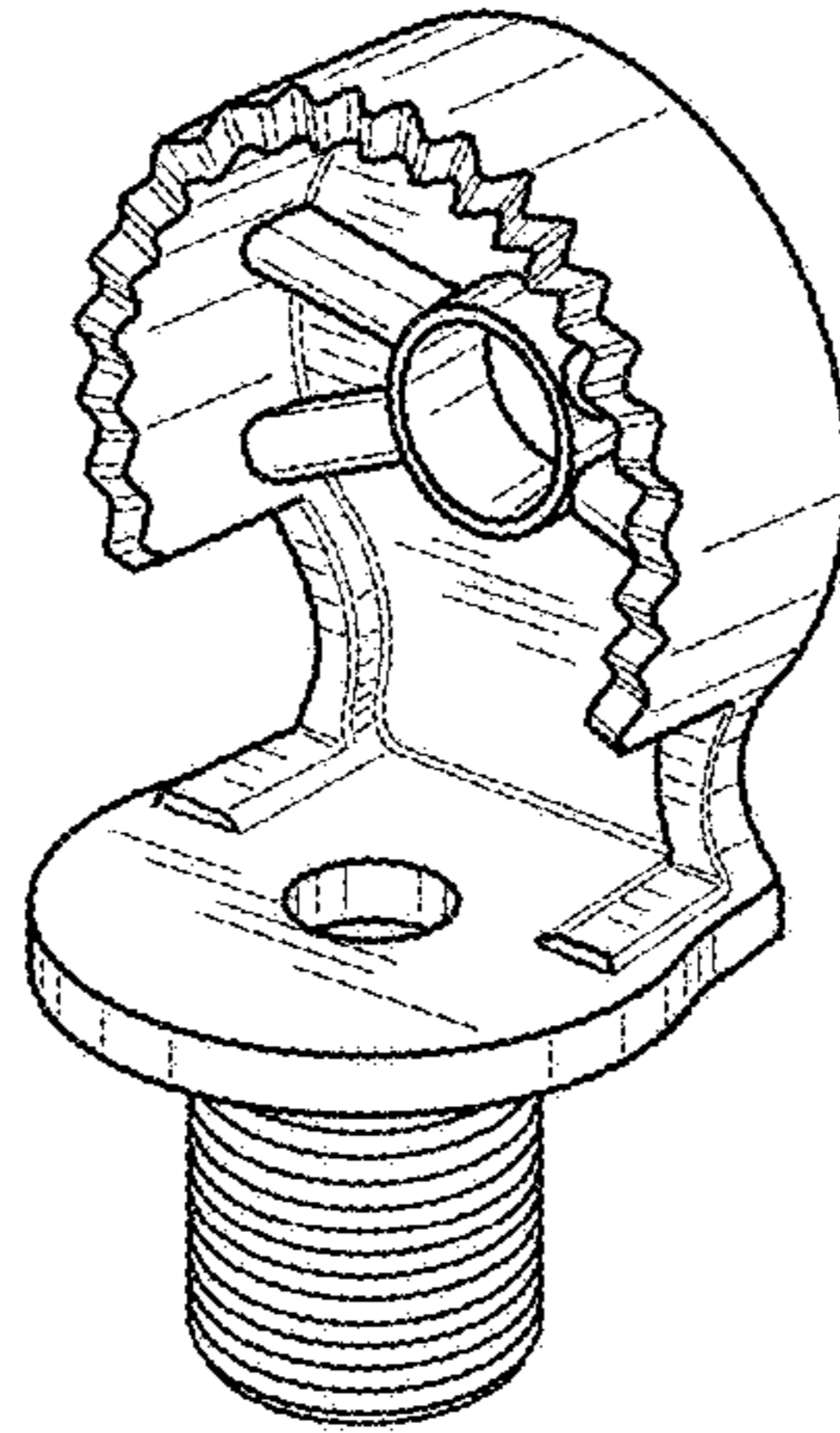


FIG. 9

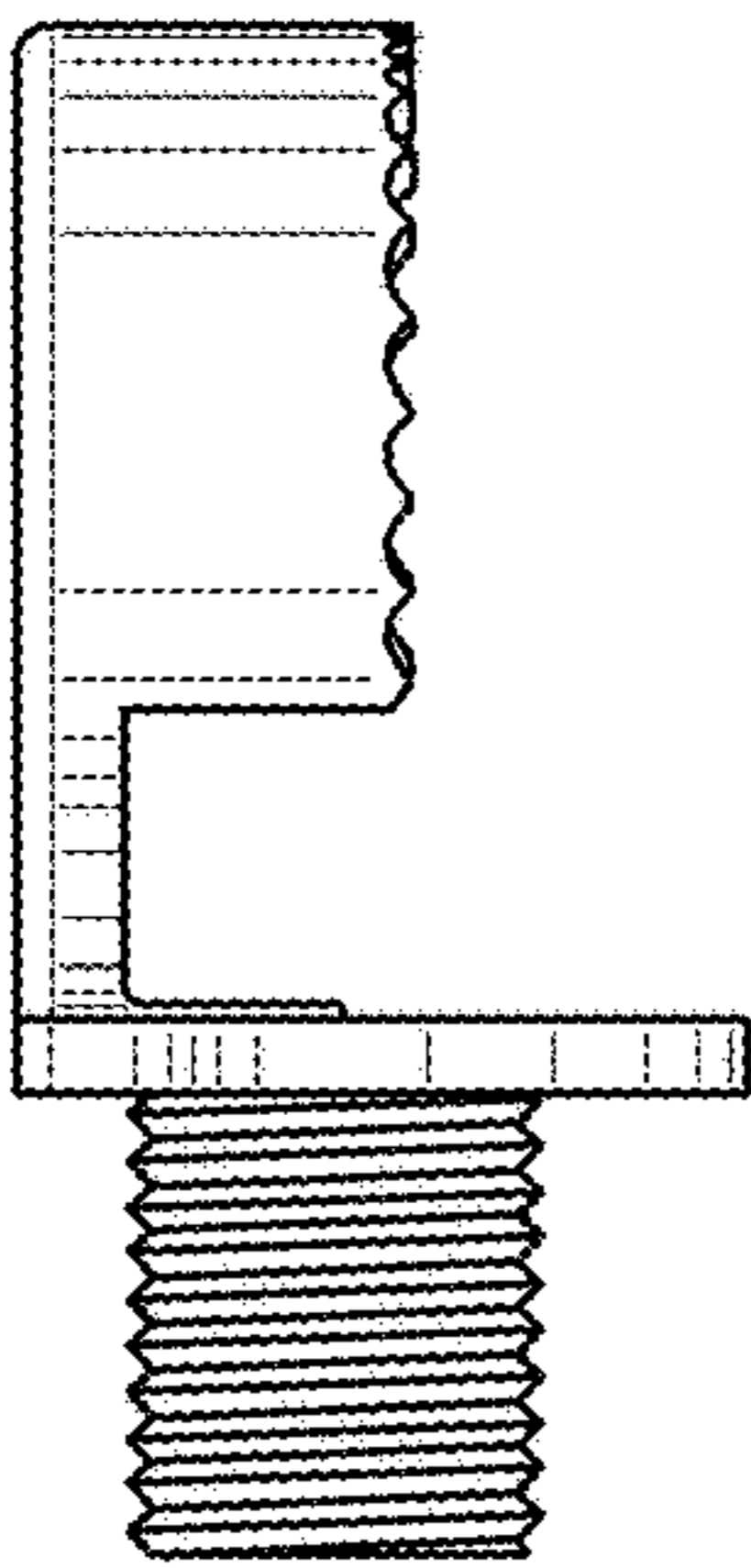


FIG. 10

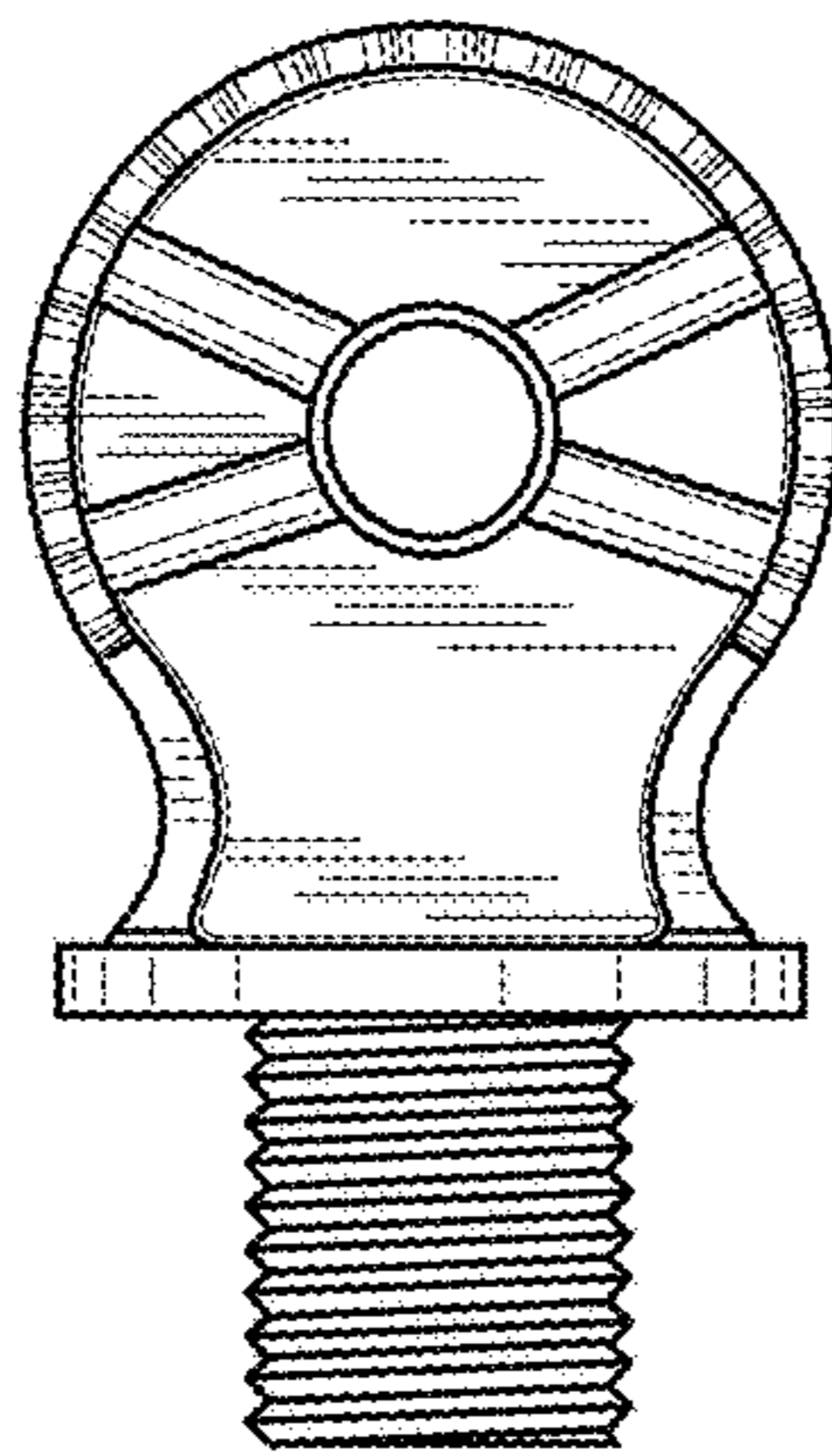


FIG. 11

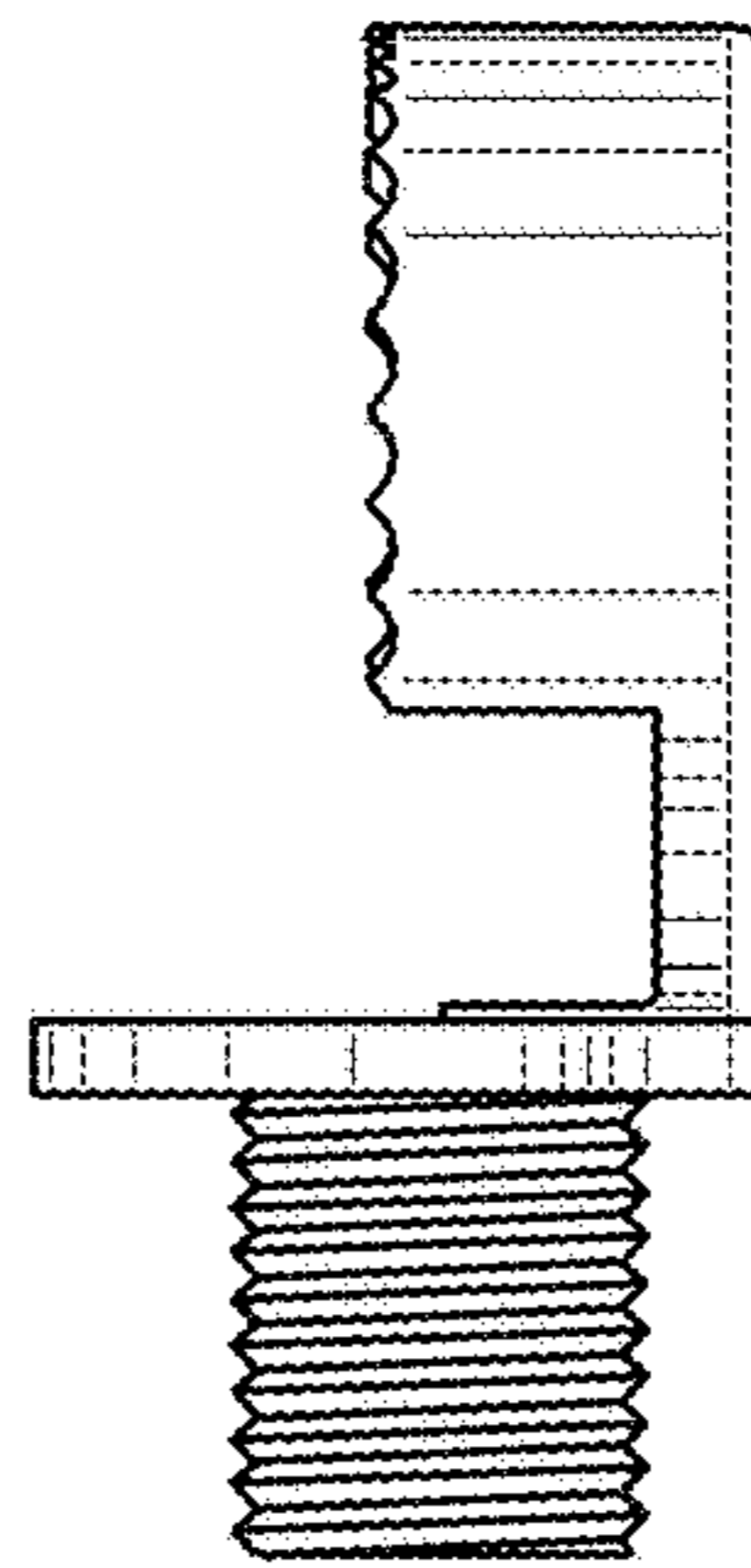


FIG. 12

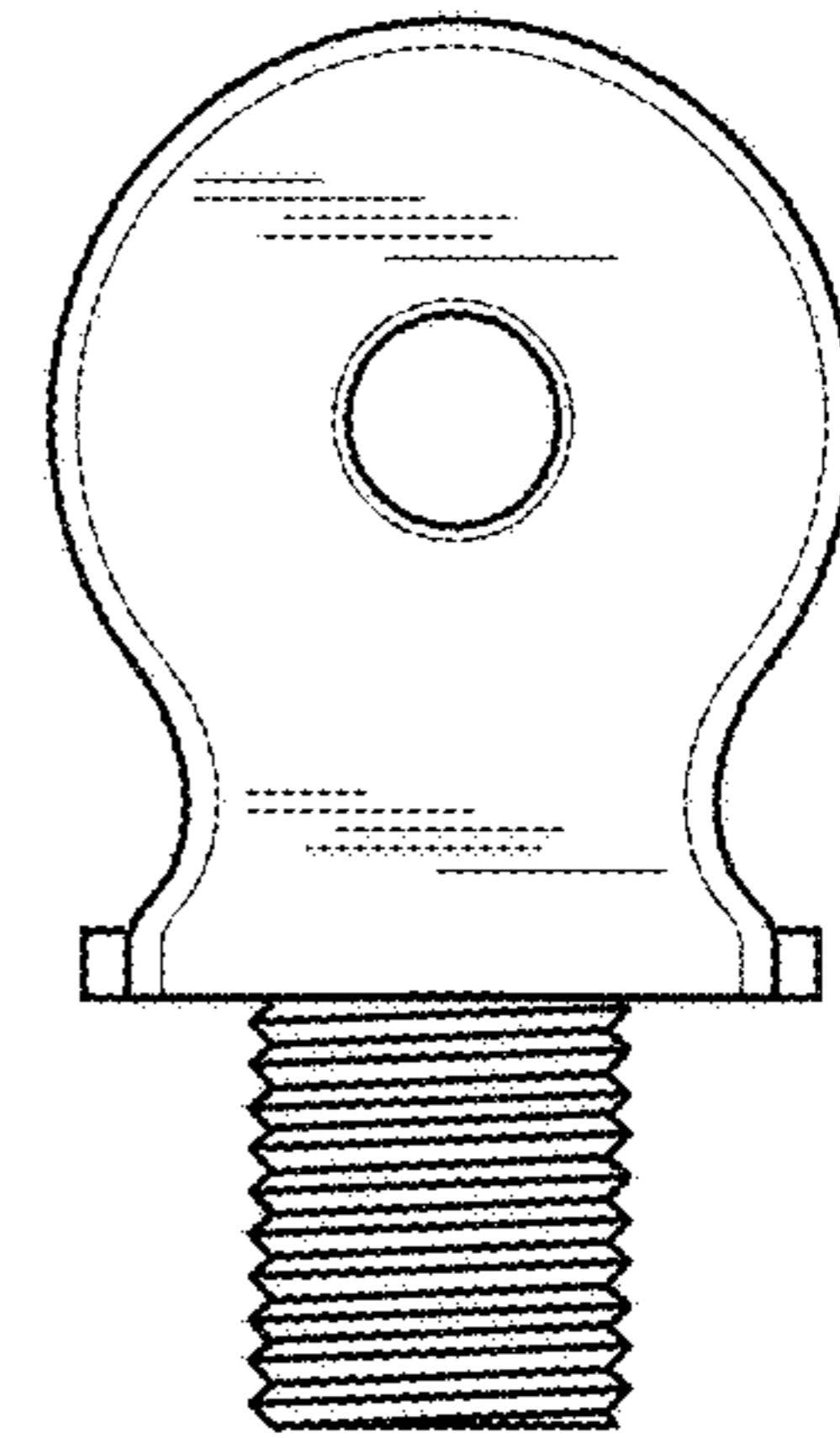
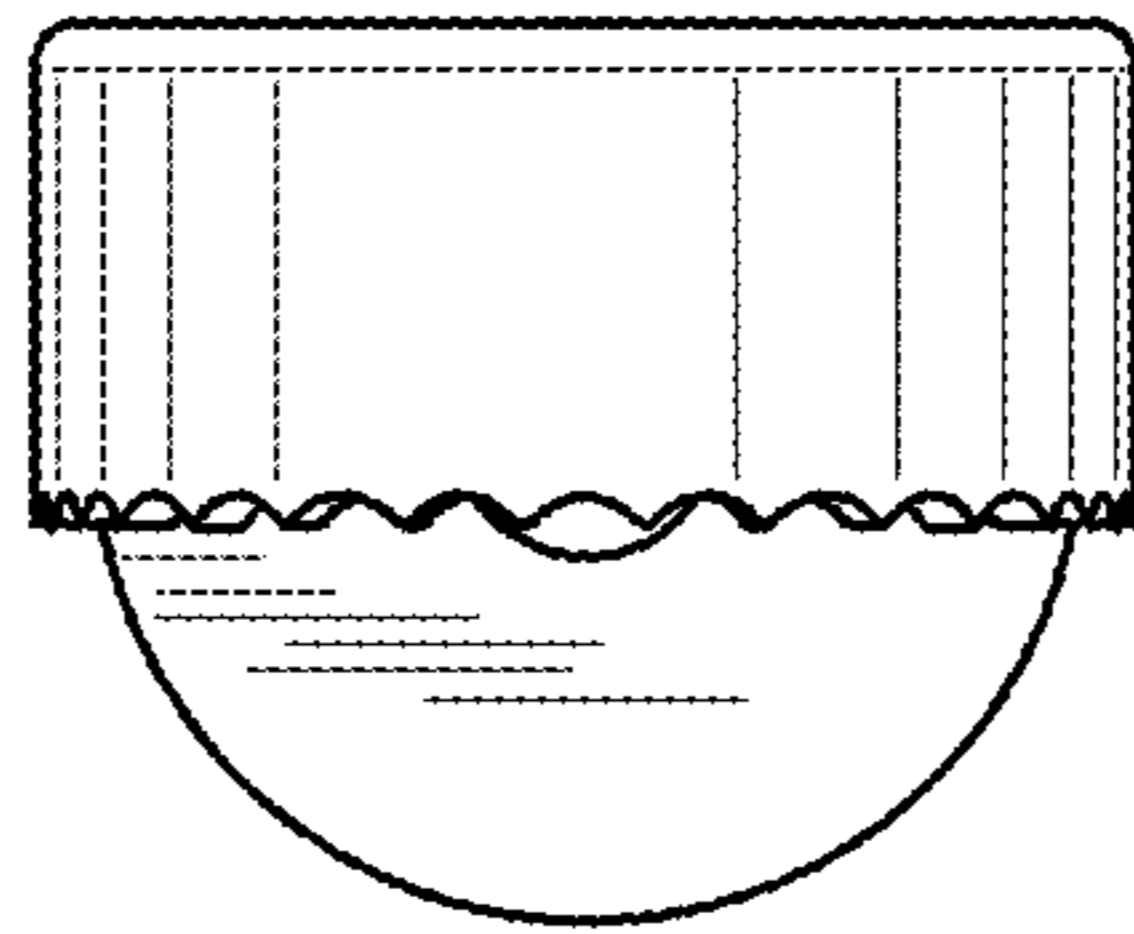
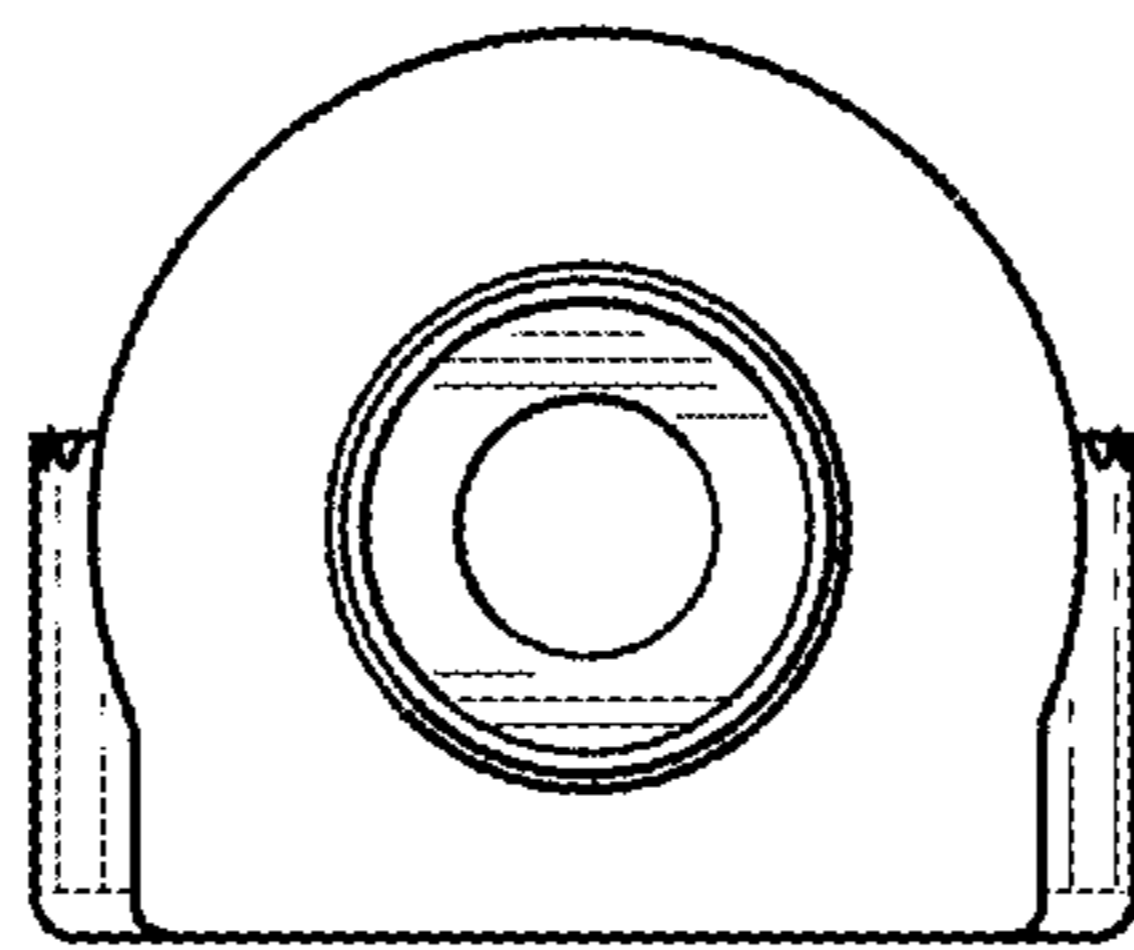


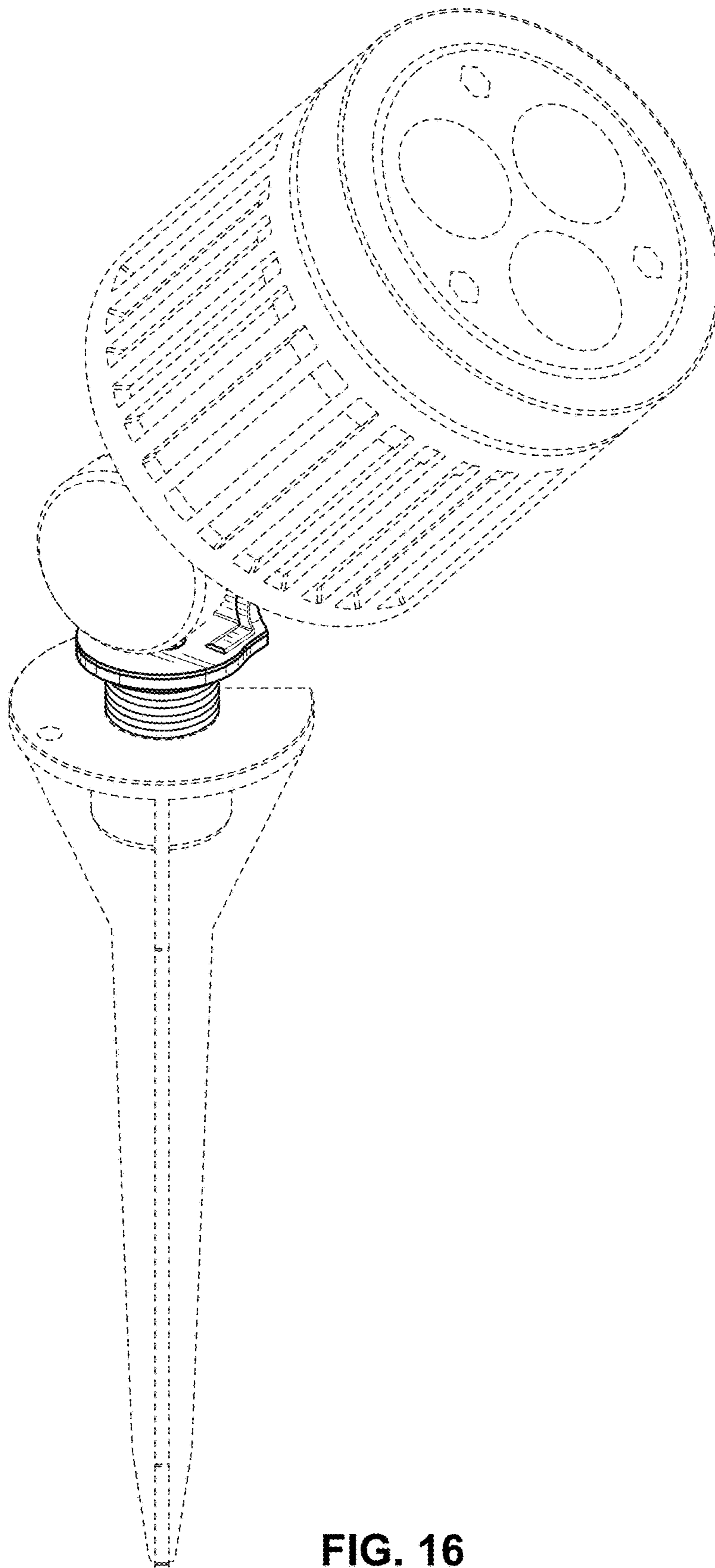
FIG. 13



**FIG. 14**



**FIG. 15**



**FIG. 16**