



US00D792638S

(12) **United States Design Patent**
Sonneman

(10) **Patent No.:** **US D792,638 S**
(45) **Date of Patent:** **** Jul. 18, 2017**

(54) **LIGHT DIFFUSER**

(71) Applicant: **Robert A. Sonneman**, Mamaroneck,
NY (US)

(72) Inventor: **Robert A. Sonneman**, Mamaroneck,
NY (US)

(**) Term: **15 Years**

(21) Appl. No.: **29/584,494**

(22) Filed: **Nov. 15, 2016**

(51) **LOC (10) Cl.** **26-03**

(52) **U.S. Cl.**
USPC **D26/118**

(58) **Field of Classification Search**

USPC D26/3, 76, 92, 93, 104, 118, 113
CPC F21S 9/03; F21S 8/085; F21S 8/086; F21S
8/043; F21S 6/002; F21S 6/003; F21W
2131/103; F21V 15/01; F21V 21/16;
F21V 8/00; F21V 7/04; F21V 19/0085

See application file for complete search history.

(56) **References Cited**

U.S. PATENT DOCUMENTS

- 2,145,787 A * 1/1939 De Reamer F21V 19/0085
362/217.17
- D295,329 S * 4/1988 Roos D26/104
- D438,326 S * 2/2001 Kan D26/76
- D477,093 S * 7/2003 Moriyama D26/3
- D582,602 S * 12/2008 Maxik D26/118

- D603,079 S * 10/2009 Toot D26/118
- D693,048 S * 11/2013 Ng D26/76
- D715,479 S * 10/2014 Johnston D26/118
- D759,886 S * 6/2016 Seehof D26/118
- D776,862 S * 1/2017 Plourde H05B 33/0803
D26/118

* cited by examiner

Primary Examiner — Brian N Vinson

(74) *Attorney, Agent, or Firm* — Gottlieb, Rackman &
Reisman, P.C.

(57) **CLAIM**

The ornamental design for a light diffuser, as shown and
described.

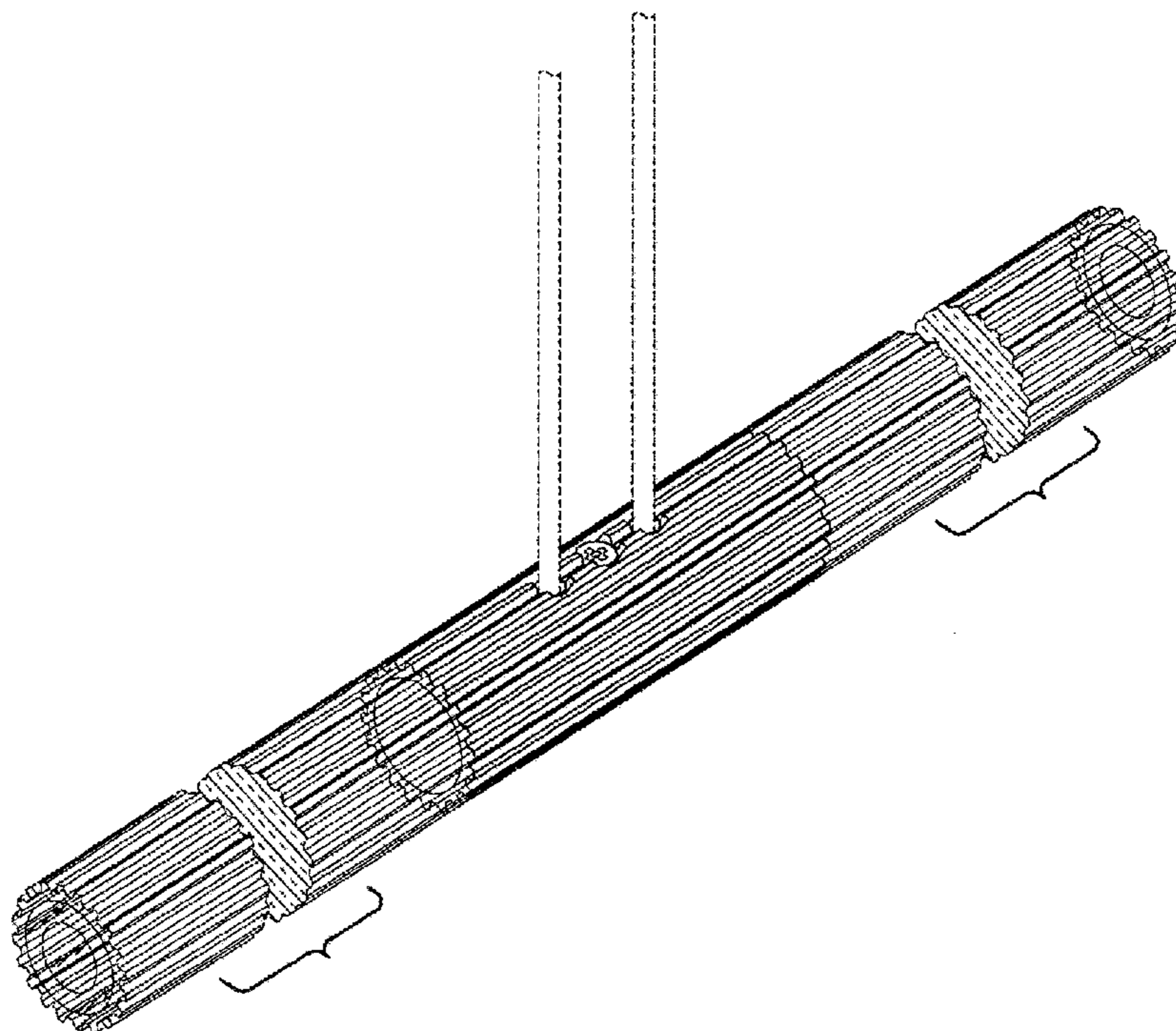
DESCRIPTION

FIG. 1 is a perspective view of the light diffuser showing my
new design;
FIG. 2 is a front elevational view thereof, the rear elevational
view being a mirror image;
FIG. 3 is a right side elevational view thereof, the left side
elevational view being a mirror image;
FIG. 4 is a top plan thereof; and,
FIG. 5 is a bottom plan view thereof.

The break lines in FIGS. 1-2 and 4-5 are to indicate that the
appearance of any portion of the light diffuser between break
lines forms no part of the claimed design.

The broken lines shown in the drawings are included for the
purpose of illustrating portions of the article that form no
part of the claimed design.

1 Claim, 5 Drawing Sheets



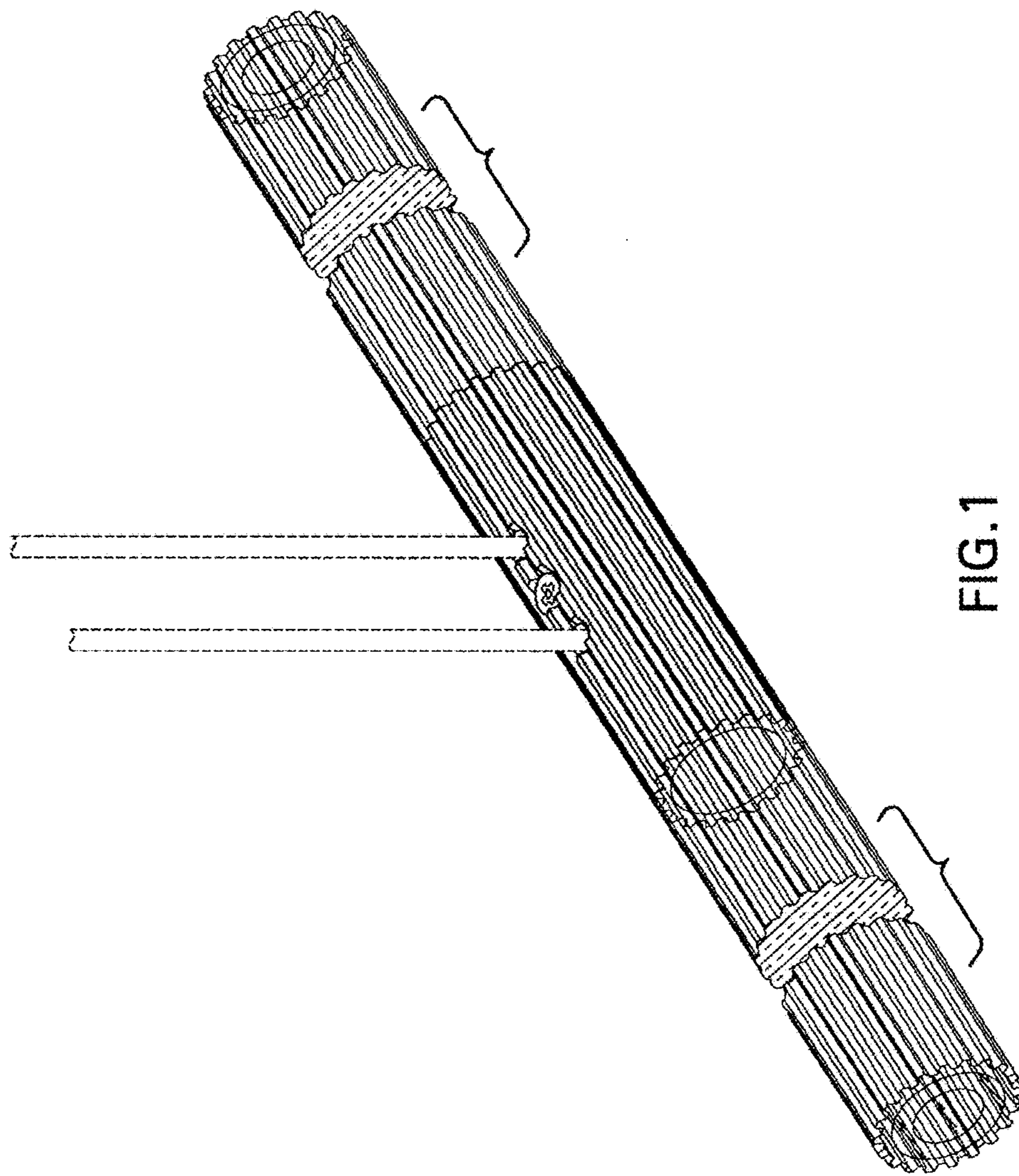


FIG. 1

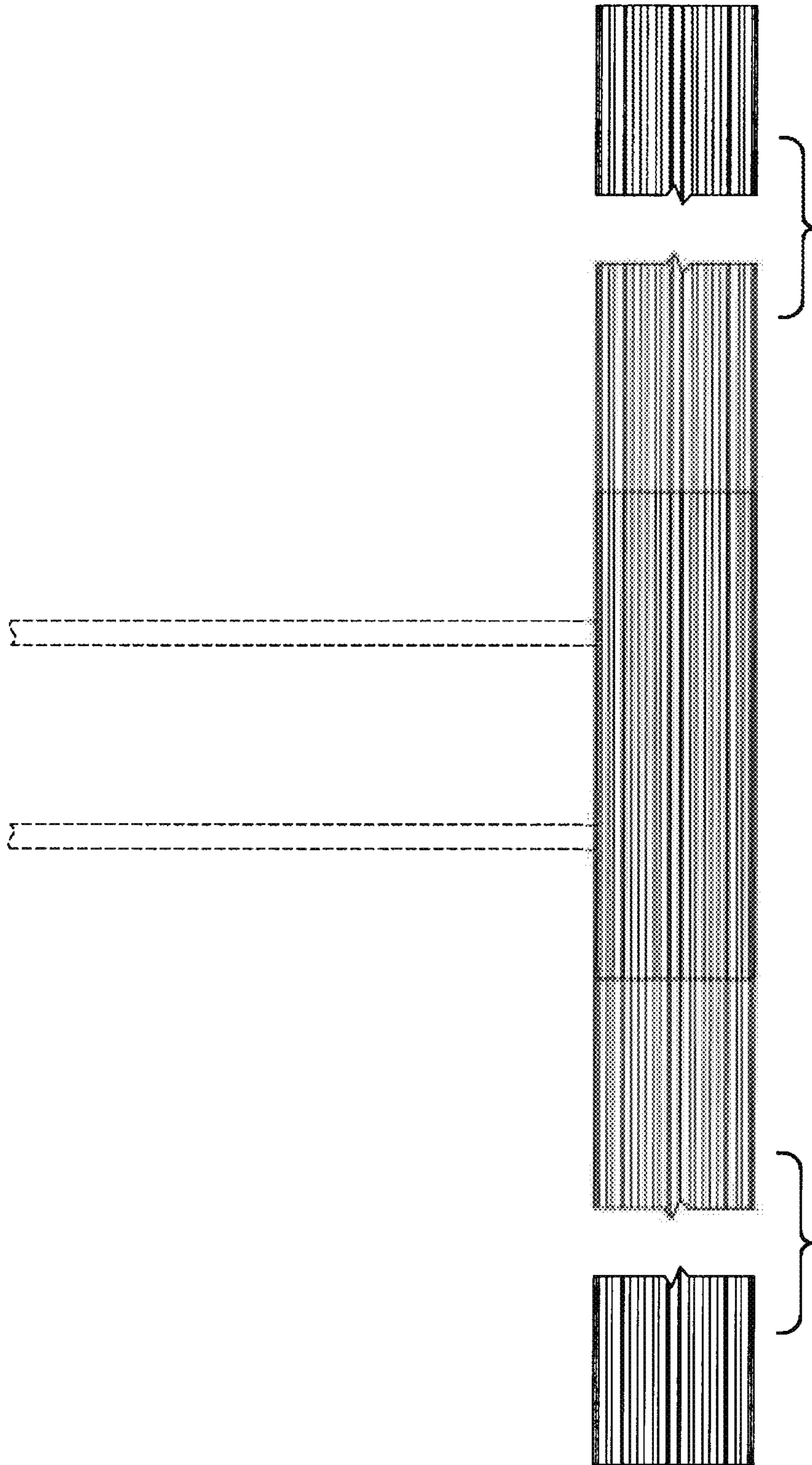


FIG. 2

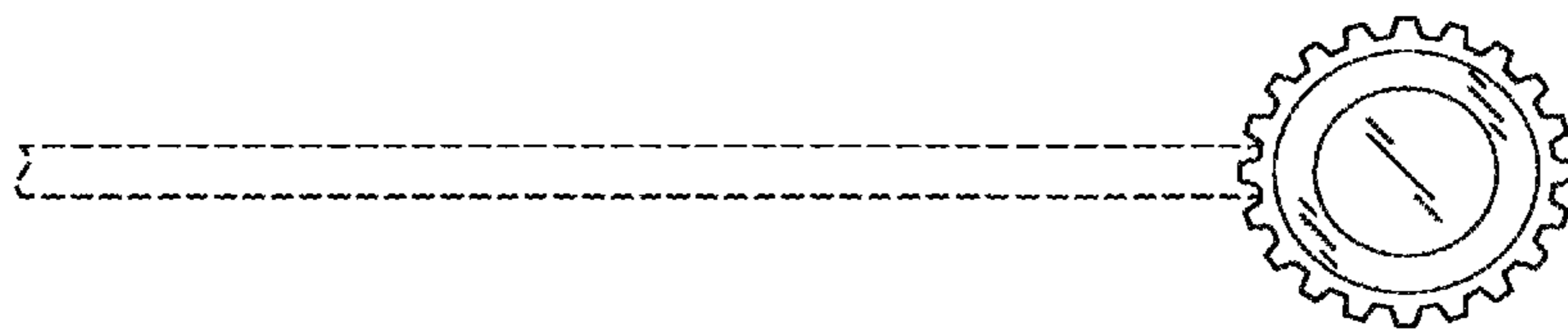


FIG. 3

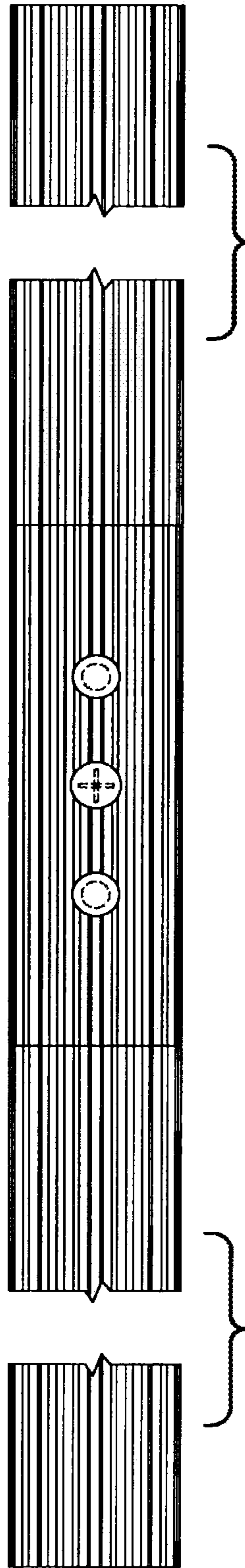


FIG. 4

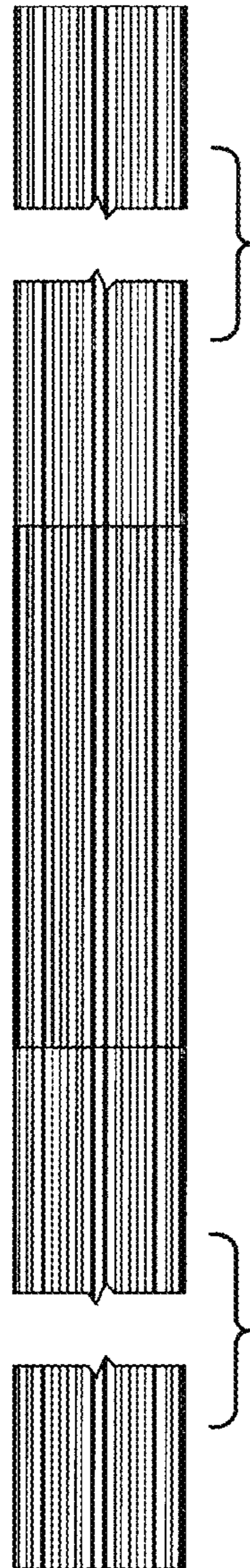


FIG. 5