



US00D792637S

(12) **United States Design Patent**
Godlewski et al.

(10) **Patent No.:** **US D792,637 S**
(45) **Date of Patent:** **** Jul. 18, 2017**

(54) **LIGHT SOCKET COVER**

(71) Applicant: **Emerson Electric Co.**, St. Louis, MO (US)

(72) Inventors: **Robert Godlewski**, Maplewood, MO (US); **Michael Swiney**, St. Louis, MO (US); **David Goggans**, St. Louis, MO (US)

(73) Assignee: **Emerson Electric Co.**, St. Louis, MO (US)

(**) Term: **15 Years**

(21) Appl. No.: **29/561,862**

(22) Filed: **Apr. 20, 2016**

(51) **LOC (10) Cl.** **26-99**

(52) **U.S. Cl.**
USPC **D26/118**

(58) **Field of Classification Search**
USPC D26/20, 27, 30, 31, 32, 25, 35, 36, 42, D26/46, 55, 69, 70, 78, 80, 101, 110,
(Continued)

(56) **References Cited**

U.S. PATENT DOCUMENTS

3,855,464 A 12/1974 Angelo
4,822,076 A 4/1989 Padilla
(Continued)

FOREIGN PATENT DOCUMENTS

WO 03070621 A1 8/2003

OTHER PUBLICATIONS

“ASTM A105 Seat Ring for Ball Valve” Jul. 3, 2014, btq-valve.en.made-in-china.com, site visited Mar. 1, 2017 <<http://btq-valve.en.made-in-china.com/product/cXJxFELOCgkB/China-ASTM-A105-Seat-Ring-for-Ball-Valve.html>>.*

(Continued)

Primary Examiner — Kevin Rudzinski

Assistant Examiner — Paul Bohannon

(74) *Attorney, Agent, or Firm* — Armstrong Teasdale LLP

(57) **CLAIM**

We claim the ornamental design for a light socket cover, as shown and described.

DESCRIPTION

FIG. 1 is a front perspective view of a first embodiment of a light socket cover showing our new design.

FIG. 2 is a rear perspective view of the light socket cover shown in FIG. 1.

FIG. 3 is a front view of the light socket cover shown in FIG. 1.

FIG. 4 is a rear view of the light socket cover shown in FIG. 1.

FIG. 5 is a right side view of the light socket cover shown in FIG. 1, the left side of the light socket cover being a mirror image thereof.

FIG. 6 is a top view of the light socket cover shown in FIG. 1, the bottom of the light socket cover being a mirror image thereof.

FIG. 7 is a front perspective view of a second embodiment of a light socket cover showing our new design;

FIG. 8 is a rear perspective view of the light socket cover shown in FIG. 7.

FIG. 9 is a front view of the light socket cover shown in FIG. 7.

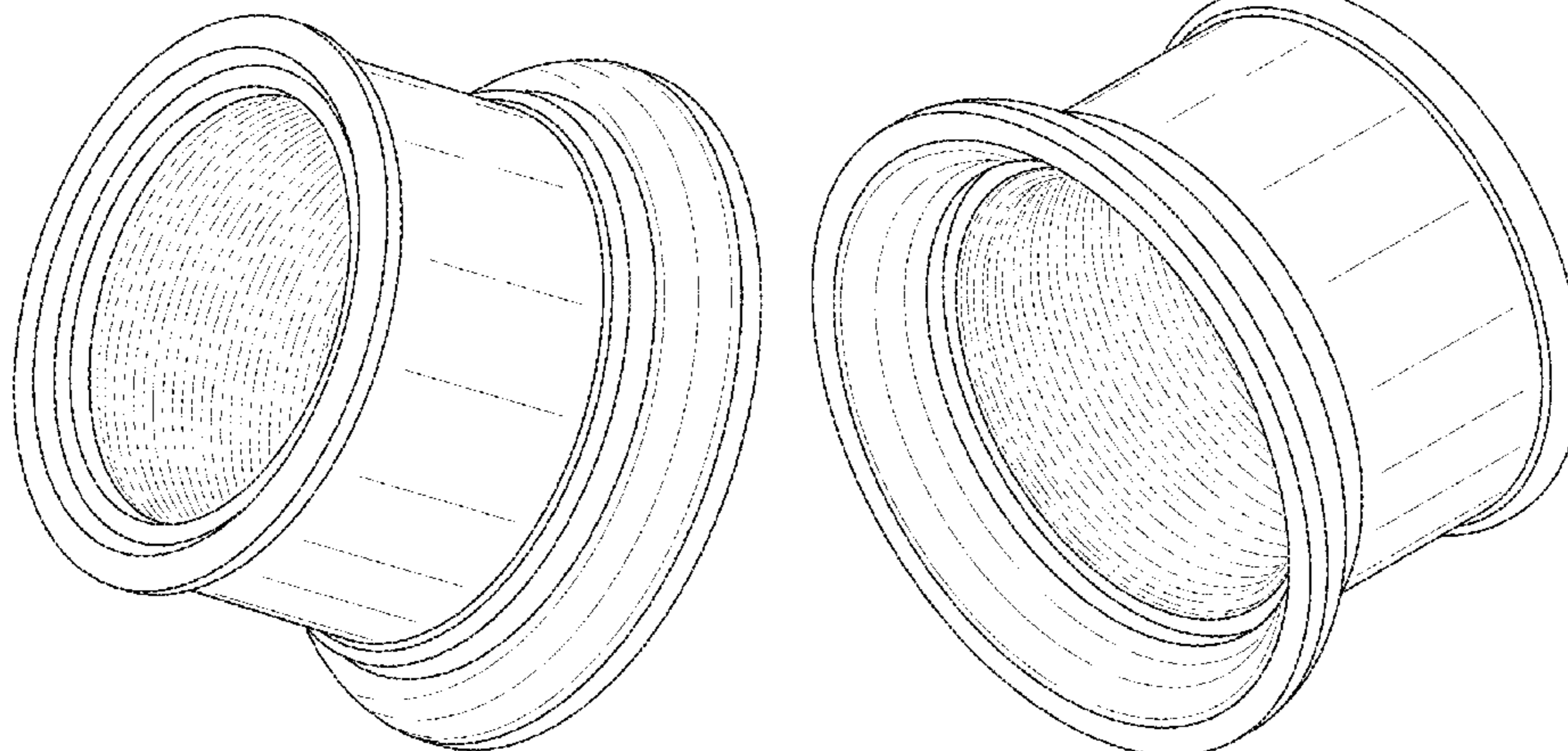
FIG. 10 is a rear view of the light socket cover shown in FIG. 7.

FIG. 11 is a right side view of the light socket cover shown in FIG. 7, the left side of the light socket cover being a mirror image thereof; and,

FIG. 12 is a top view of the light socket cover shown in FIG. 7, the bottom of the light socket cover being a mirror image thereof.

The ornamental design which is claimed is shown in solid lines in the drawings. Broken lines, if present in the drawings, illustrate portions of the light socket cover and form no part of the claimed design.

1 Claim, 12 Drawing Sheets



(58) **Field of Classification Search**

USPC D26/109, 118–120, 123, 124, 127, 133,
 D26/134, 139; D23/259–269; D7/416;
 D10/111–115; D13/134, 158–178;
 D14/473, 230; D99/99; D25/126–135;
 D11/144; D22/118
 CPC C12M 23/10; B60Q 1/2615; B60Q 3/004;
 F21V 19/0085; F21V 3/02; F21V 3/00;
 F21V 7/09; F21V 21/002; F21V 29/74;
 F21V 15/01; F21V 19/00; B02C 18/0092;
 G02B 5/126; G02B 6/4246; F21K 9/135;
 F21K 9/27; F21S 8/02; F21S 4/28; F21S
 4/008; F21S 48/212; F21S 2/005; F21Y
 2101/00; F21Y 2103/10; F21Y 2107/30;
 F21Y 2115/10; H02G 3/0418; H05B
 41/00; H05B 37/0272

See application file for complete search history.

6,877,777 B1 4/2005 Wartluft
 D552,719 S * 10/2007 Petner D23/261
 D603,939 S * 11/2009 McPheat D23/262
 D616,966 S * 6/2010 Angell D23/262
 8,424,123 B2 * 4/2013 Svensson B02C 18/0092
 241/46.016
 D700,682 S * 3/2014 Bayyouk D23/233
 9,038,210 B2 5/2015 Peet
 D733,262 S * 6/2015 Kang D23/261
 D748,228 S * 1/2016 Bayyouk D23/269
 2004/0208014 A1 * 10/2004 Huang B60Q 1/2615
 362/493
 2005/0281039 A1 * 12/2005 Yeh F21V 19/0085
 362/396
 2009/0163056 A1 6/2009 Brookins et al.
 2013/0056505 A1 3/2013 Cress
 2013/0155686 A1 * 6/2013 Burt F21V 3/02
 362/294
 2014/0022646 A1 1/2014 Kurz

(56) **References Cited**

U.S. PATENT DOCUMENTS

5,695,988 A * 12/1997 Chong C12M 23/10
 435/305.1
 D402,354 S * 12/1998 Strong D23/259
 D435,090 S * 12/2000 Stout, Jr. D23/269
 6,817,739 B2 11/2004 Blateri
 6,851,565 B2 2/2005 Stephan

OTHER PUBLICATIONS

“Stainless Steel 304 Cast Pipe Fitting, Reducing Coupling, Class 150, 3/4" × 1/2" NPT Female” Aug. 30, 2014, amazon.com, site visited Mar. 1, 2017 <https://www.amazon.com/Stainless-Fitting-Reducing-Coupling-Female/dp/B003GSKYE0/ref=cm_cr_arp_d_product_top?ie=UTF8>.*

* cited by examiner

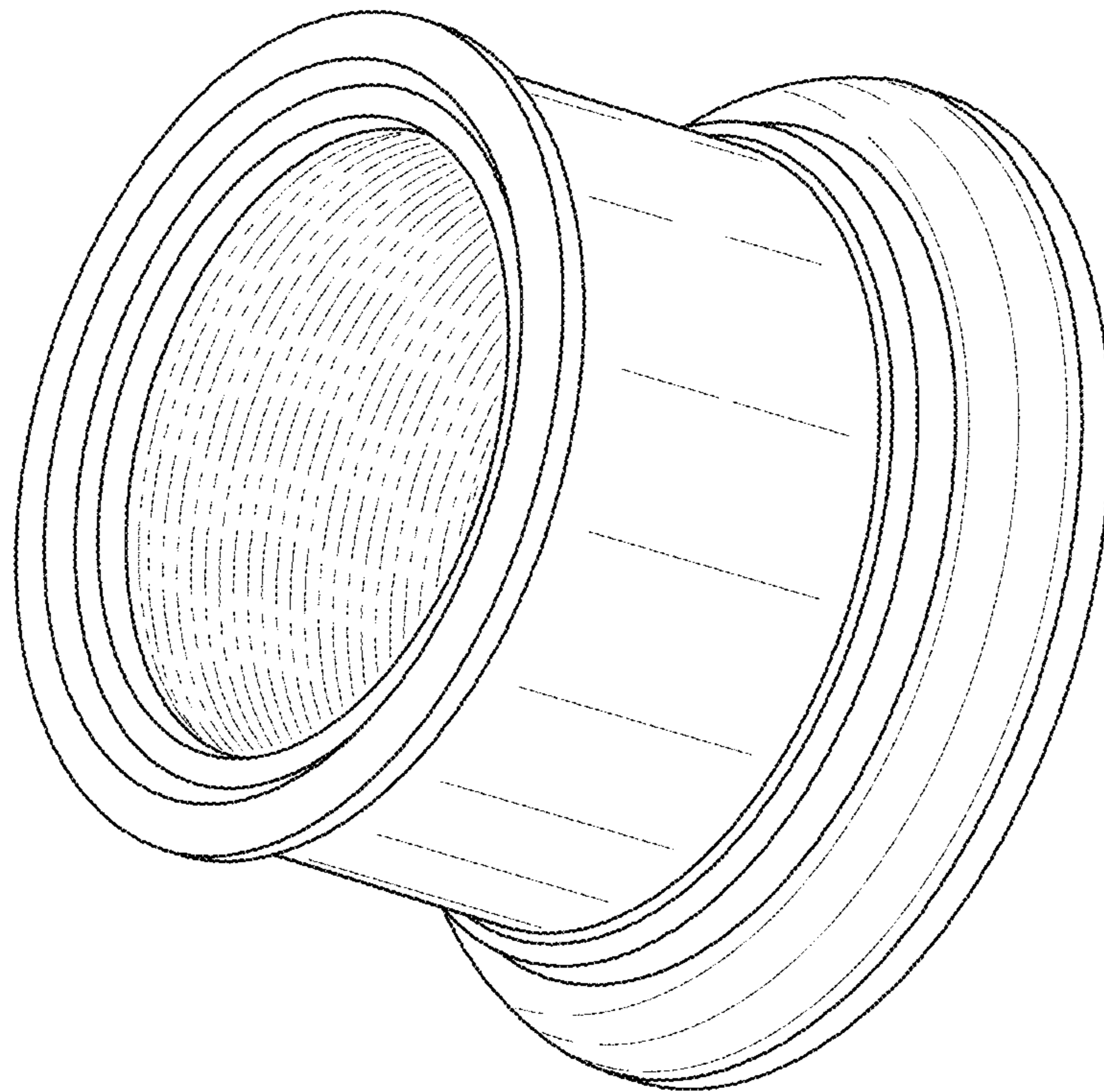


FIG. 1

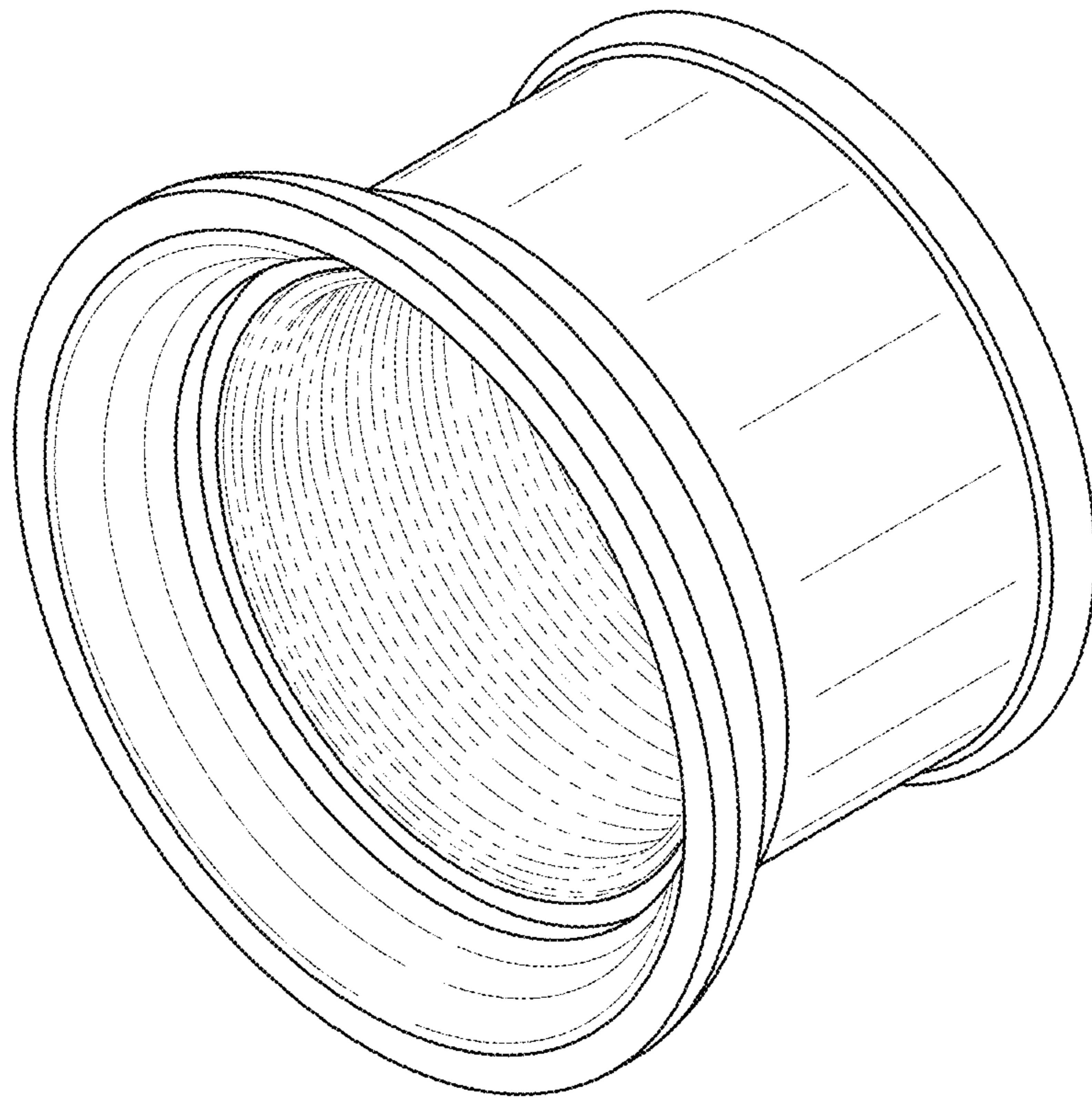


FIG. 2

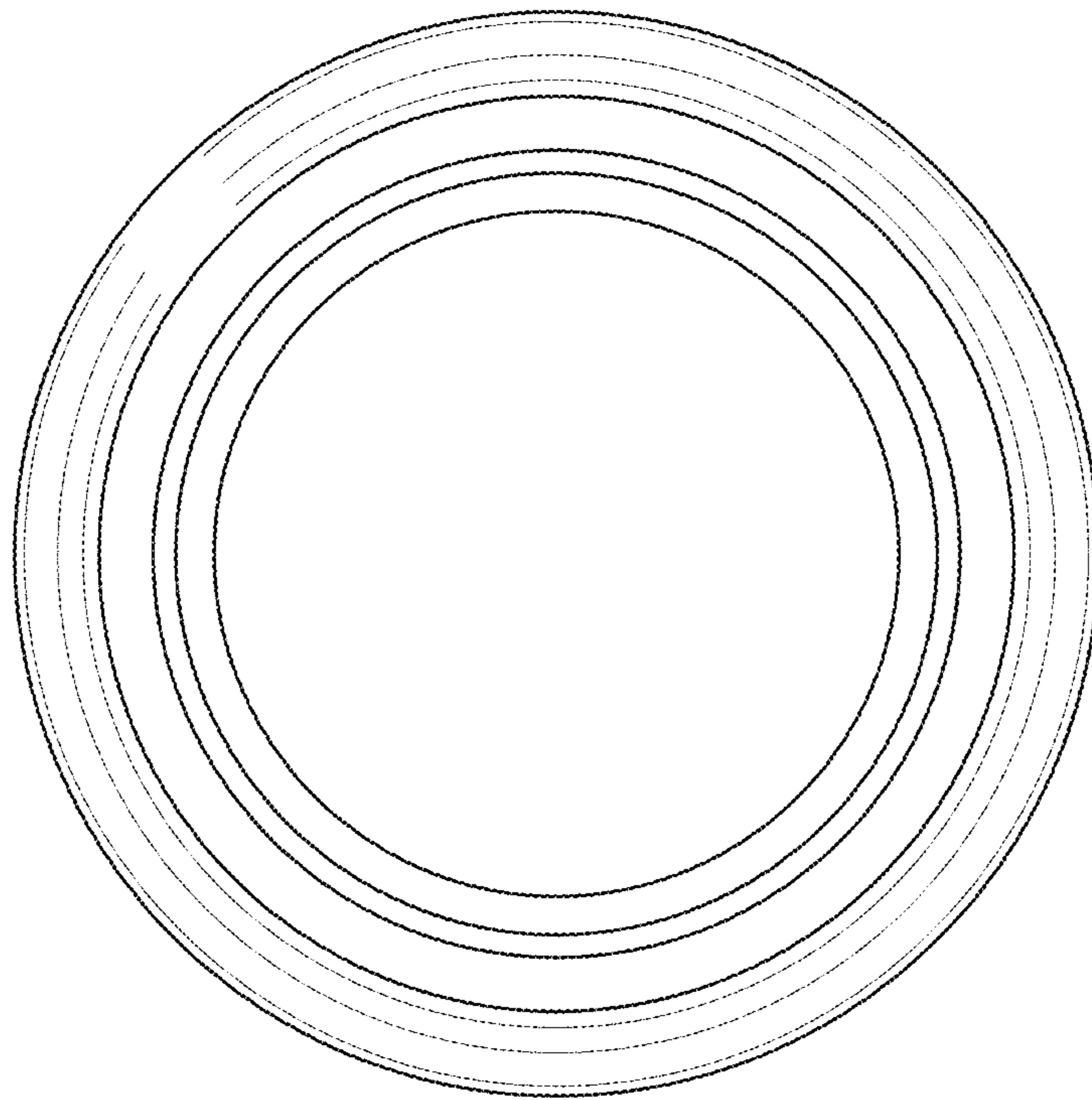


FIG. 3

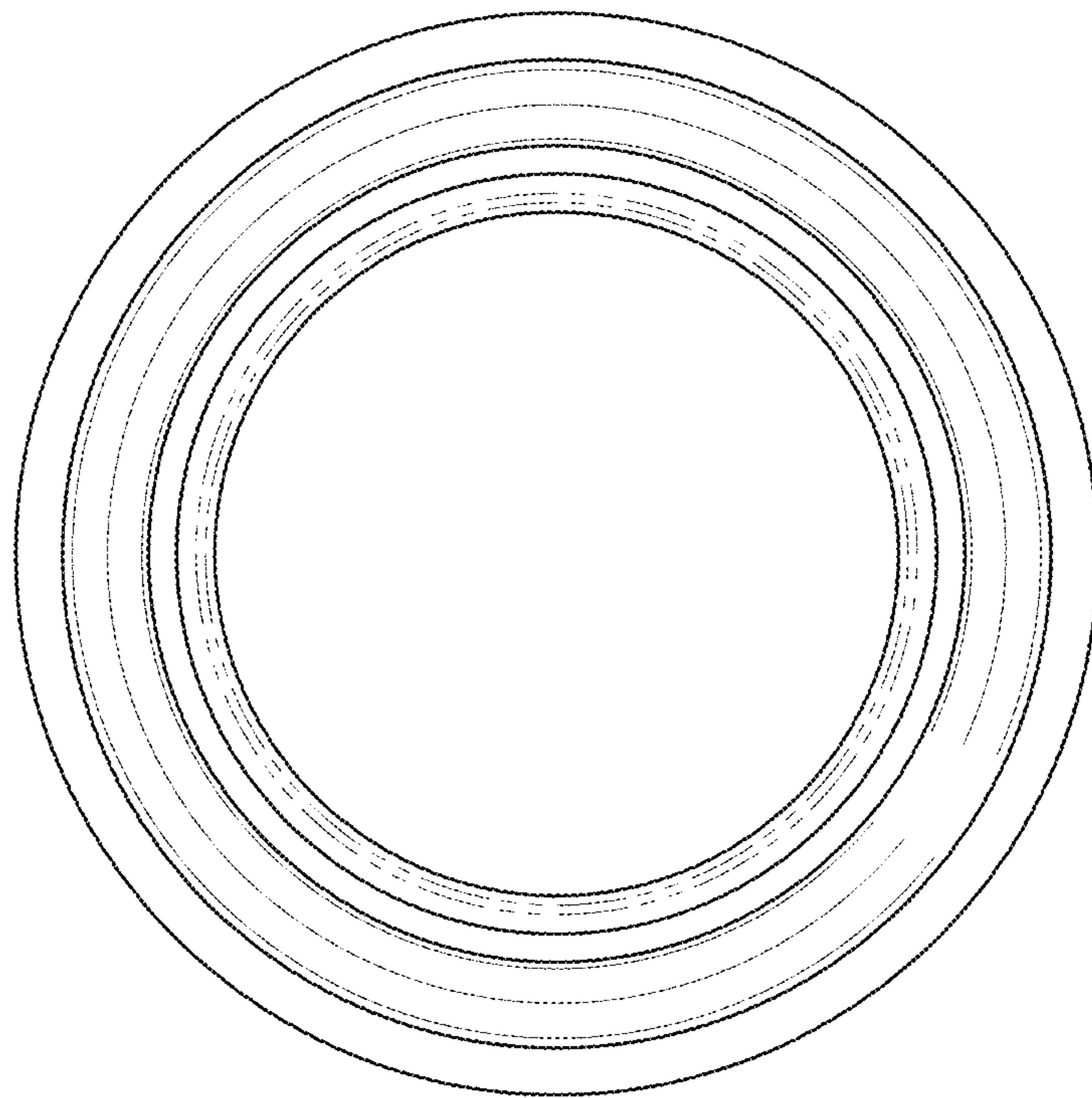


FIG. 4

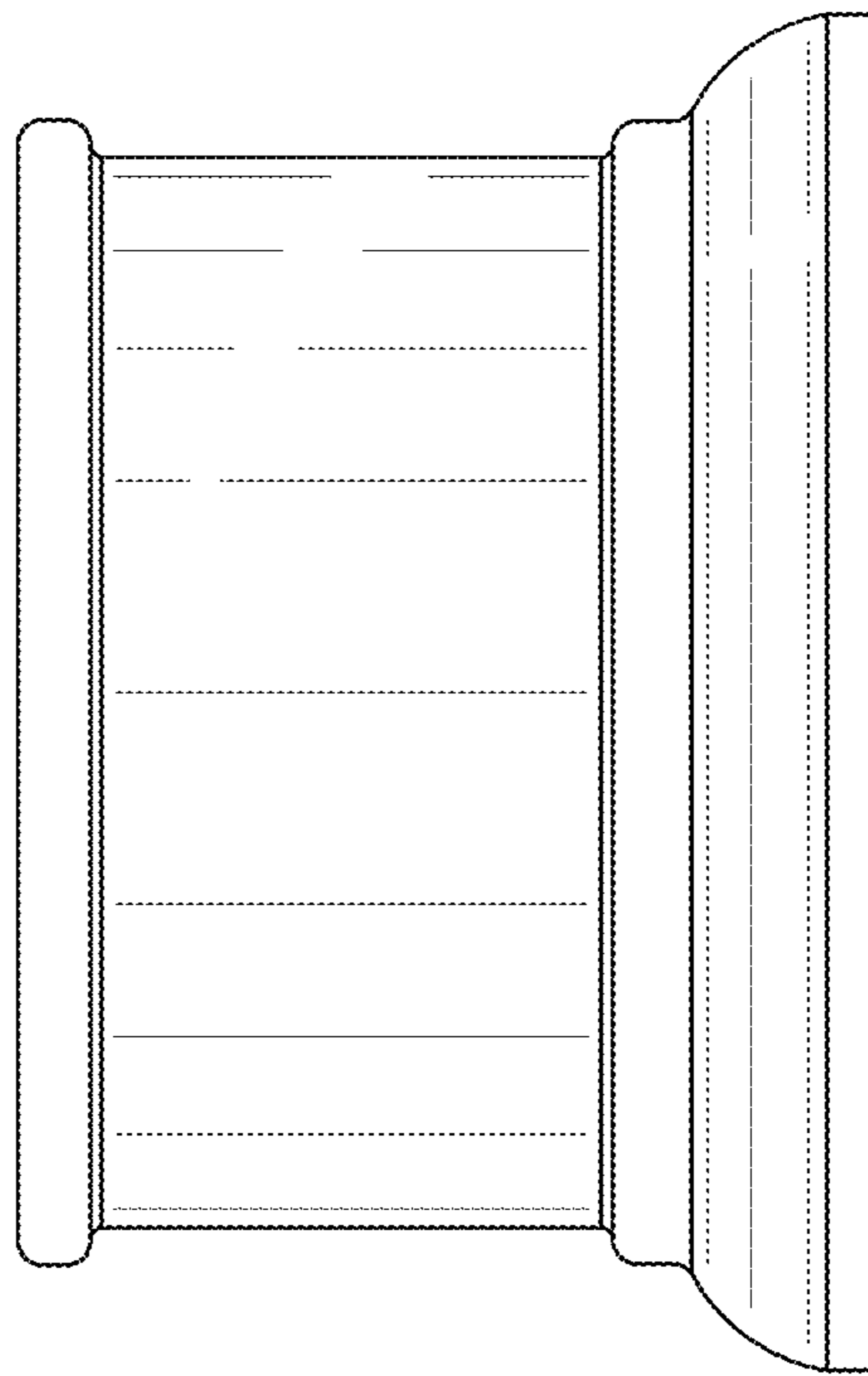


FIG. 5

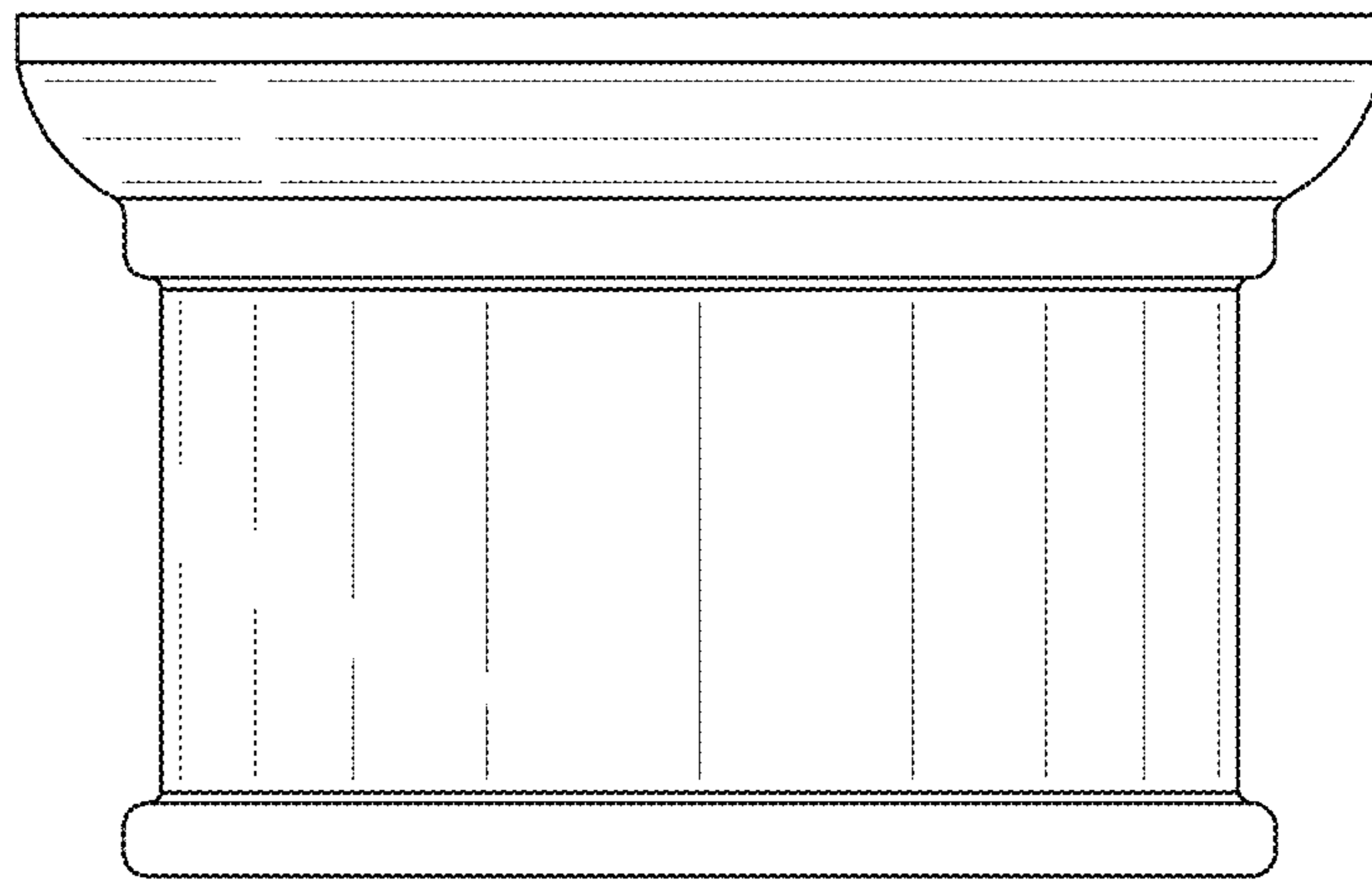


FIG. 6

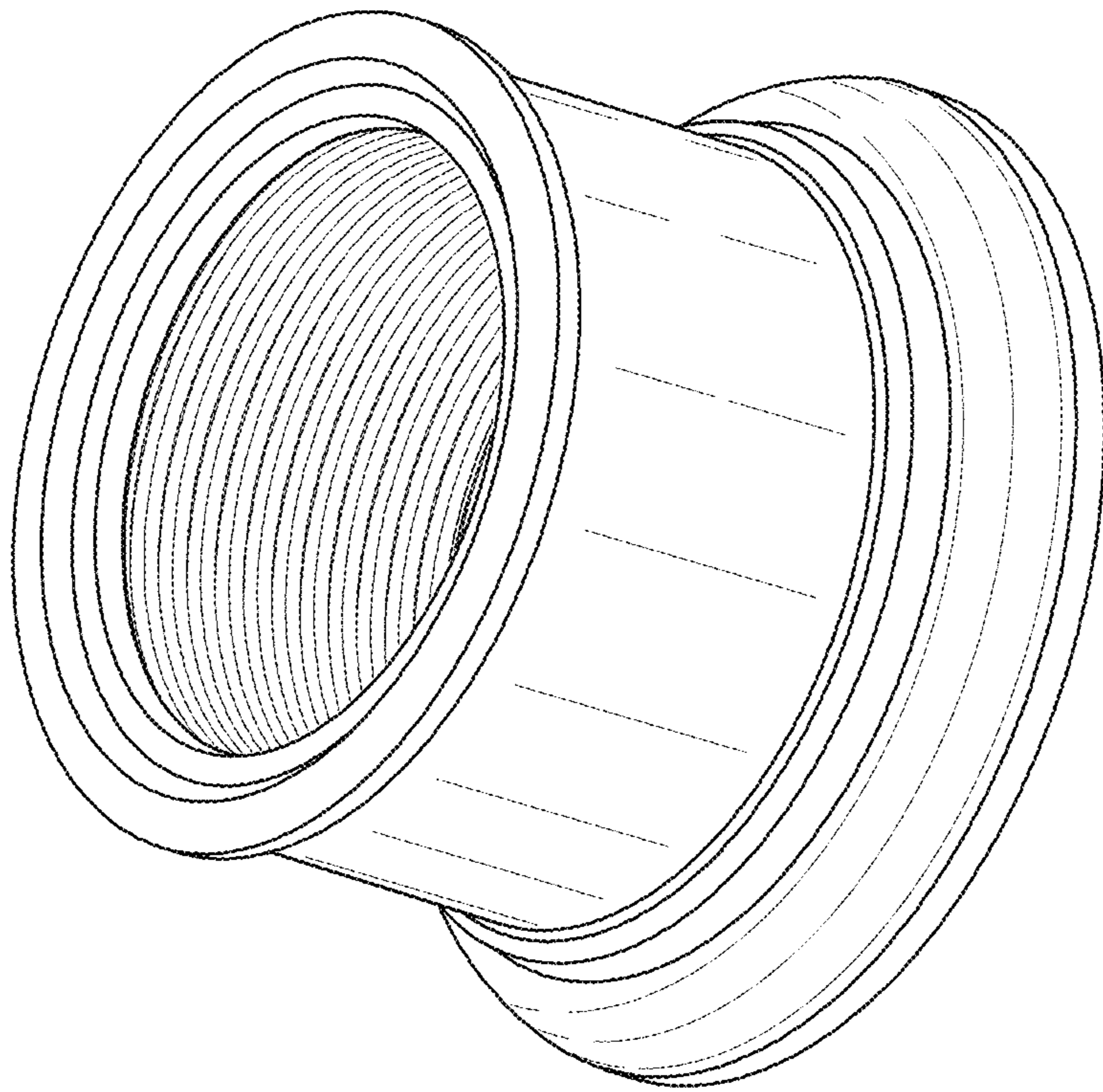


FIG. 7

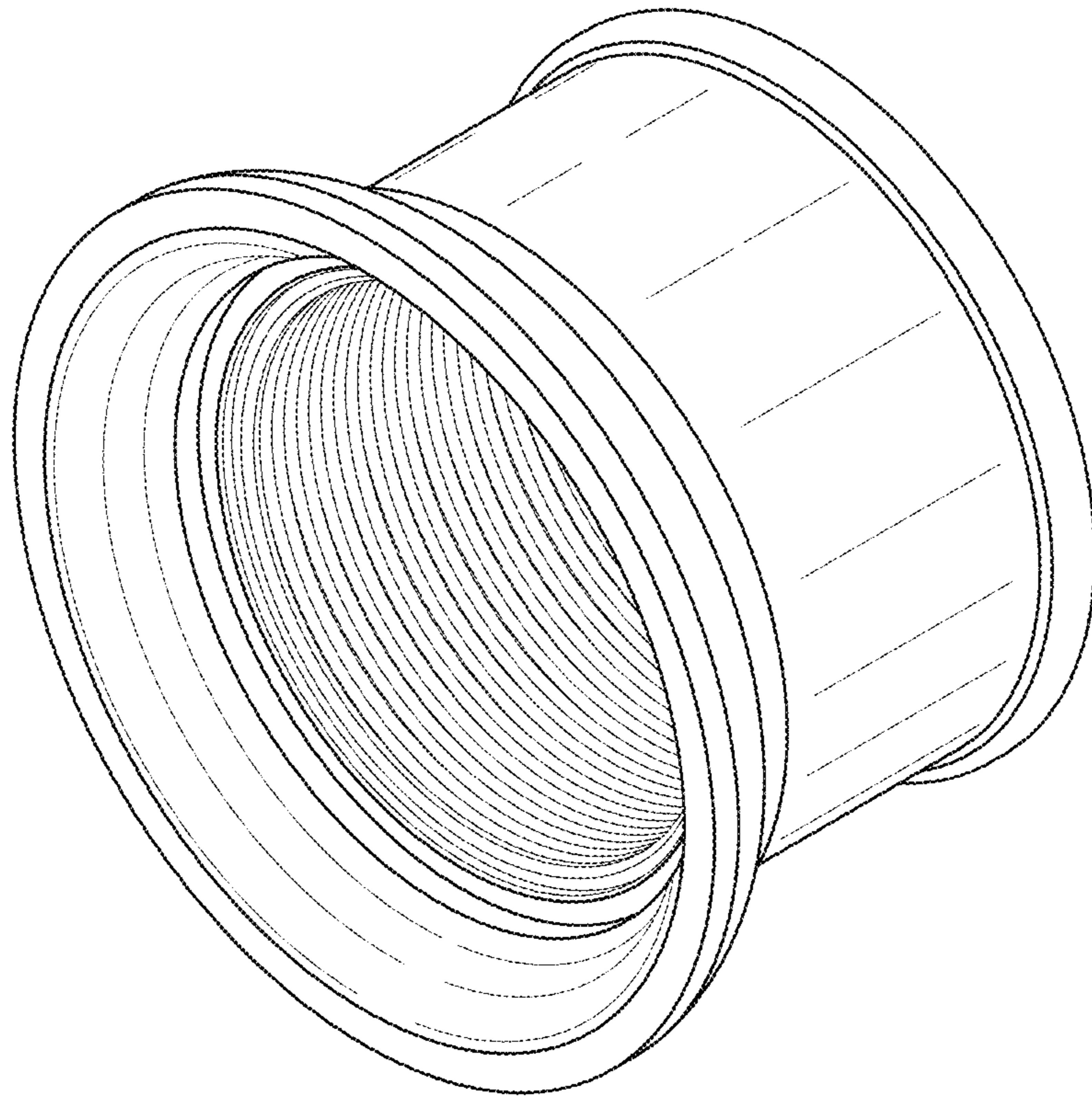


FIG. 8

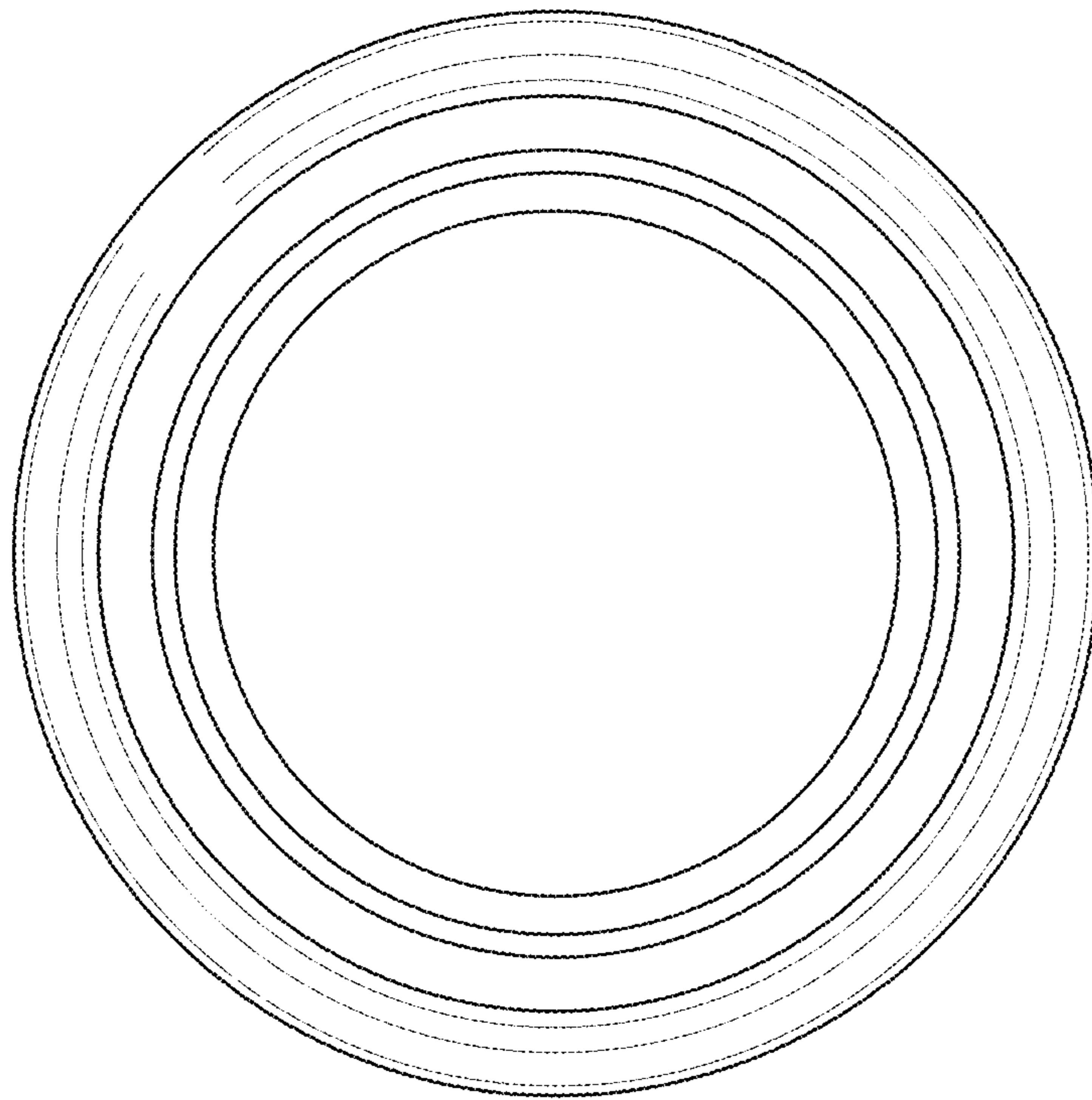


FIG. 9

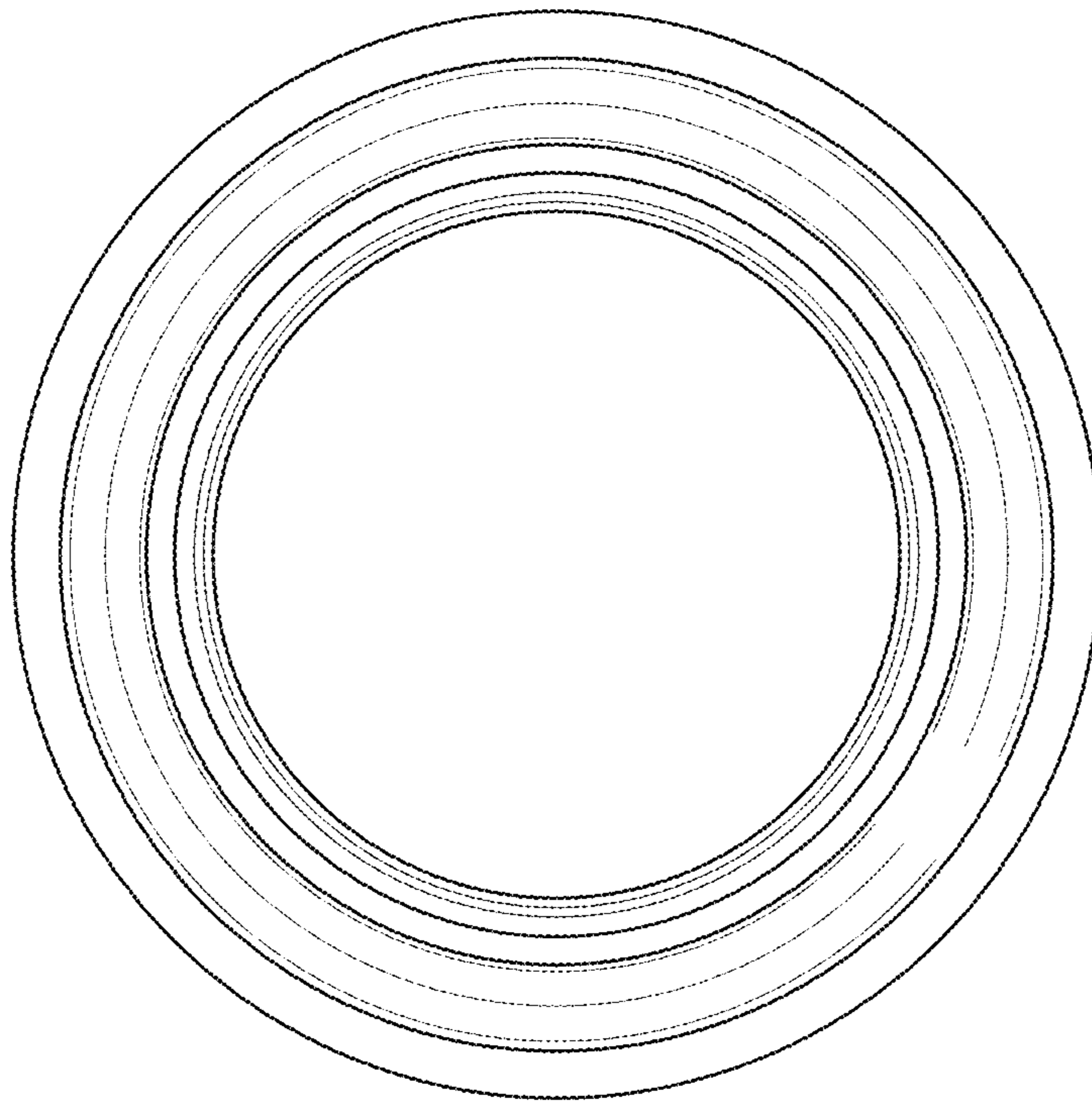


FIG. 10

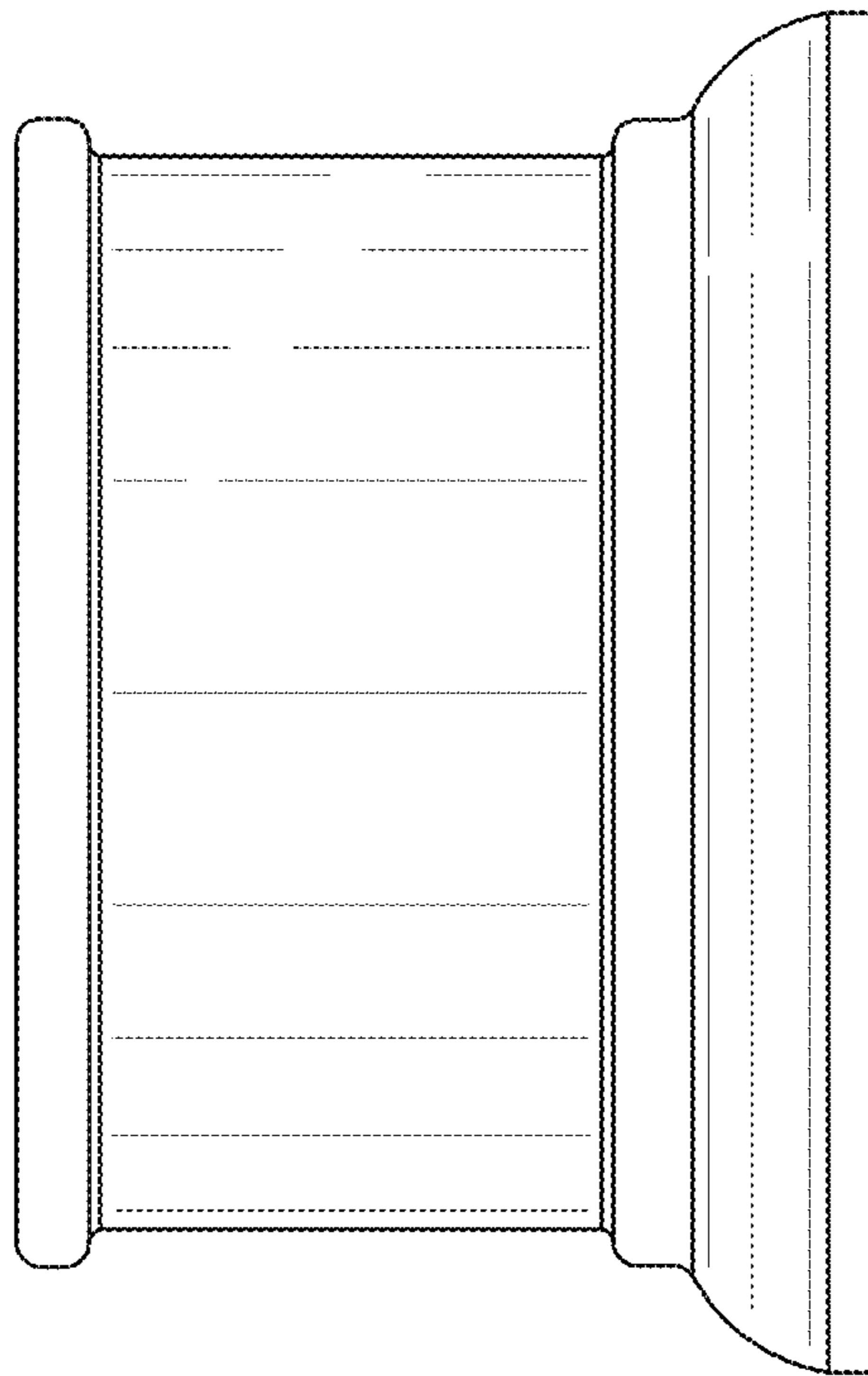


FIG. 11

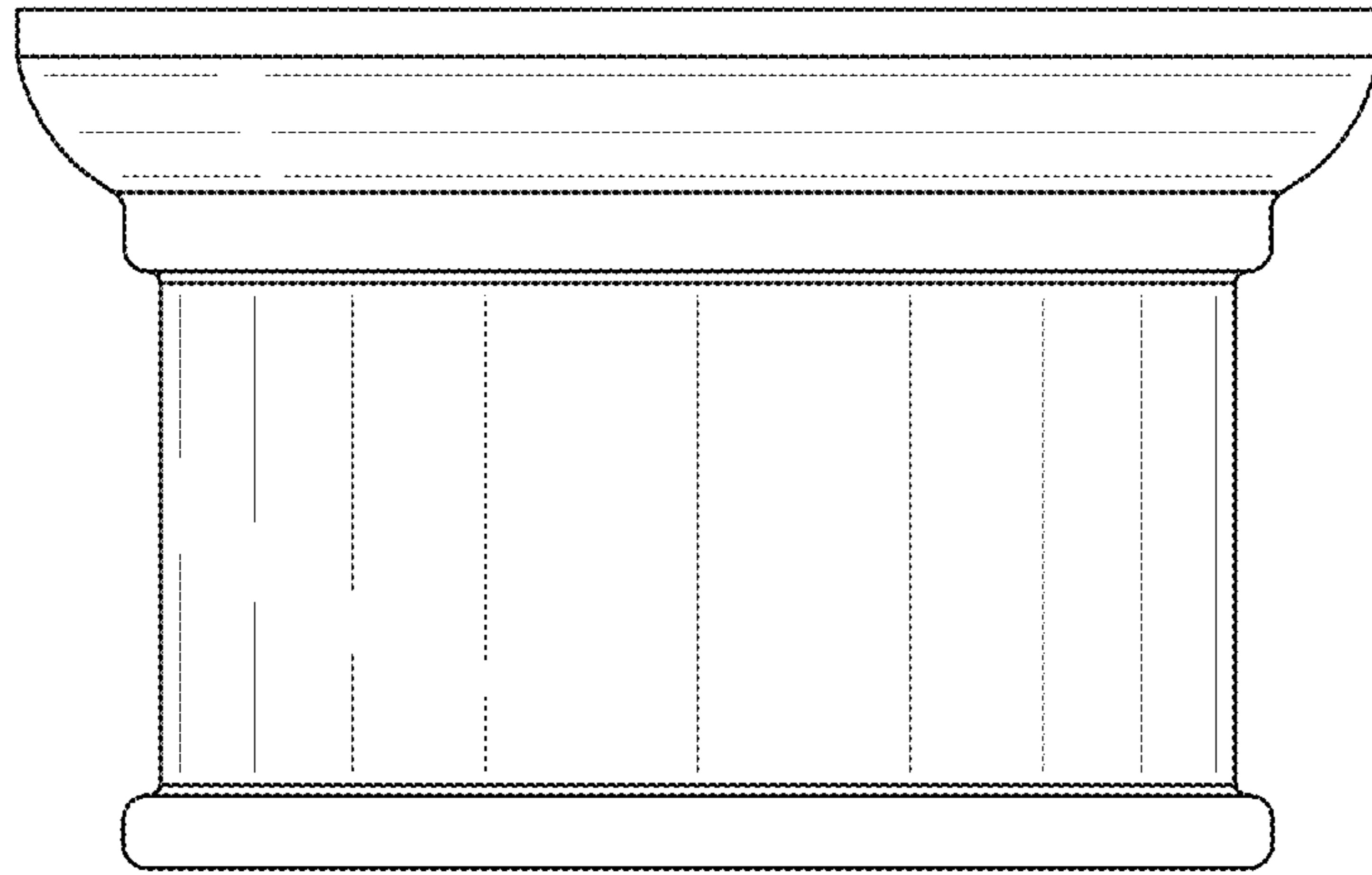


FIG. 12