



US00D792636S

(12) **United States Design Patent**
Brunt, Jr. et al.

(10) **Patent No.:** **US D792,636 S**

(45) **Date of Patent:** **** Jul. 18, 2017**

(54) **HOOD REFLECTOR FOR LIGHT FIXTURE**

(71) Applicant: **LumenFlow Corp.**, Wyoming, MI (US)

(72) Inventors: **Harold W. Brunt, Jr.**, Grand Rapids, MI (US); **Jeremy J. Brodersen**, Grand Rapids, MI (US)

(73) Assignee: **Lumenflow Corp.**, Wyoming, MI (US)

(**) Term: **15 Years**

(21) Appl. No.: **29/549,883**

(22) Filed: **Dec. 29, 2015**

(51) **LOC (10) Cl.** **26-99**

(52) **U.S. Cl.**
USPC **D26/118**

(58) **Field of Classification Search**
USPC D26/24, 28, 72, 75, 85, 89, 112, 118;
D8/302, 313
CPC F21S 8/00; F21S 8/03; F21S 8/04; F21S 8/033; F21S 8/036; F21S 8/037; F21V 1/14; F21V 21/02; F21V 21/03; F21V 5/04; F21W 2121/004; F21W 2111/08; F21W 2131/1005; F21W 2131/107; F21W 2131/402

See application file for complete search history.

(56) **References Cited**

U.S. PATENT DOCUMENTS

D147,905 S *	11/1947	Holmes	D26/75
D169,063 S *	3/1953	Gregg	D26/118
D250,910 S *	1/1979	Clark	D26/112
D319,703 S *	9/1991	Hazerjian	D26/24
D377,541 S *	1/1997	Porter	D26/112

D440,481 S *	4/2001	Bacon	D8/302
7,036,960 B1 *	5/2006	Gretz	F21V 11/02
				362/153
D584,128 S *	1/2009	Ricereto	D8/313
D589,196 S *	3/2009	Stone	D26/72
D589,325 S *	3/2009	Mattson	D8/313
D597,394 S *	8/2009	Menzies	D8/313
D757,983 S *	5/2016	Breedlove, Sr.	D26/85
D764,698 S *	8/2016	Orellana	D26/85

* cited by examiner

Primary Examiner — Brian N Vinson

(74) *Attorney, Agent, or Firm* — Warner Norcross & Judd LLP

(57) **CLAIM**

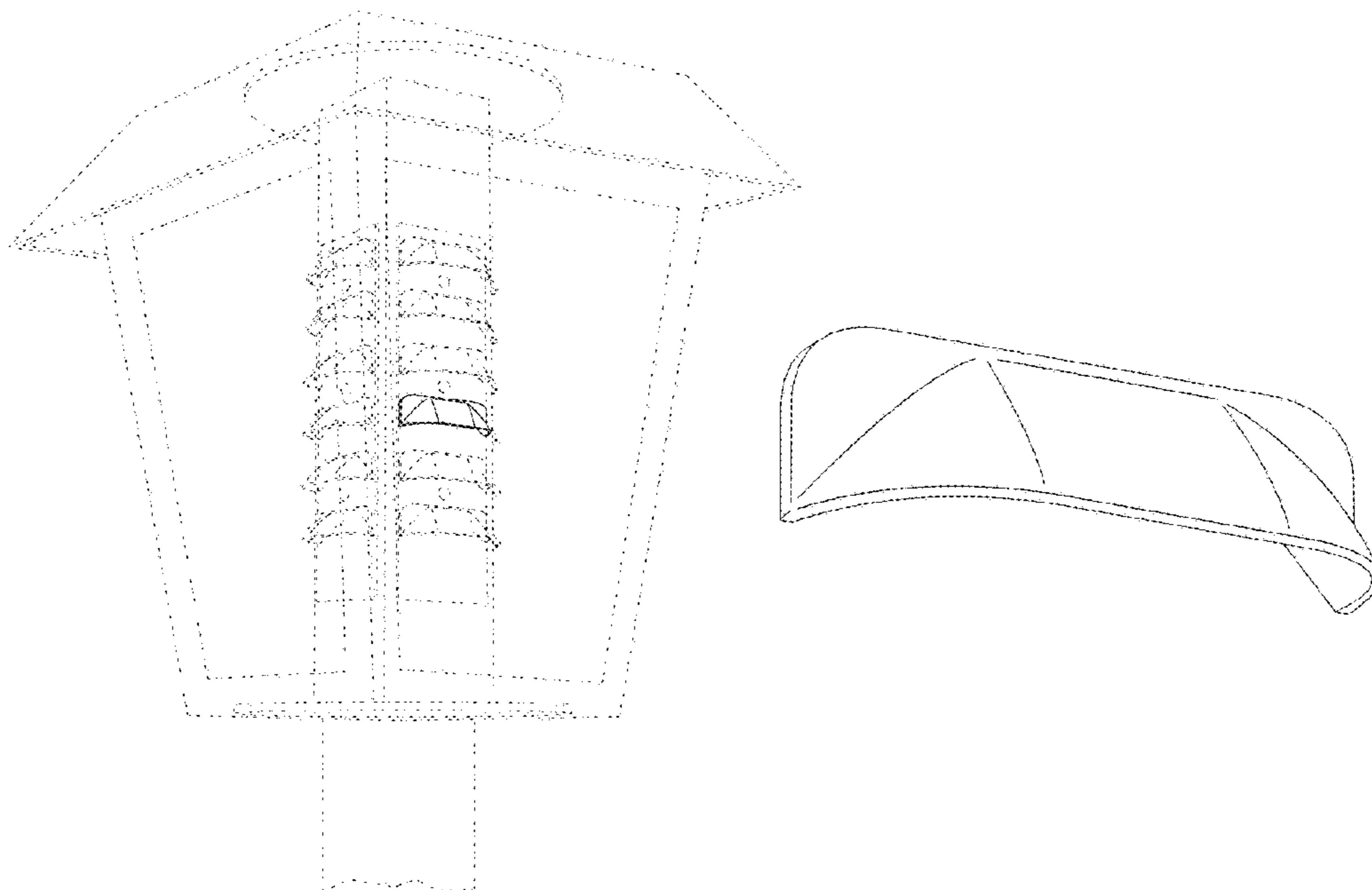
The ornamental design for hood reflector for light fixture, as shown and described.

DESCRIPTION

FIG. 1 is a perspective view of a hood reflector for light fixture showing my new design; FIG. 2 is a front elevation view thereof; FIG. 3 is a bottom plan view thereof; FIG. 4 is a top plan view thereof; FIG. 5 is a left front perspective view of the hood reflector of FIG. 1; FIG. 6 is a front elevation view thereof; FIG. 7 is a rear elevation view thereof; FIG. 8 is left side elevation view thereof; FIG. 9 is a top plan view thereof; and, FIG. 10 is a bottom plan view thereof.

The broken line disclosure in the views represents a pole top light fixture shown for illustrative purposes only and forming no part of the claimed design.

1 Claim, 4 Drawing Sheets



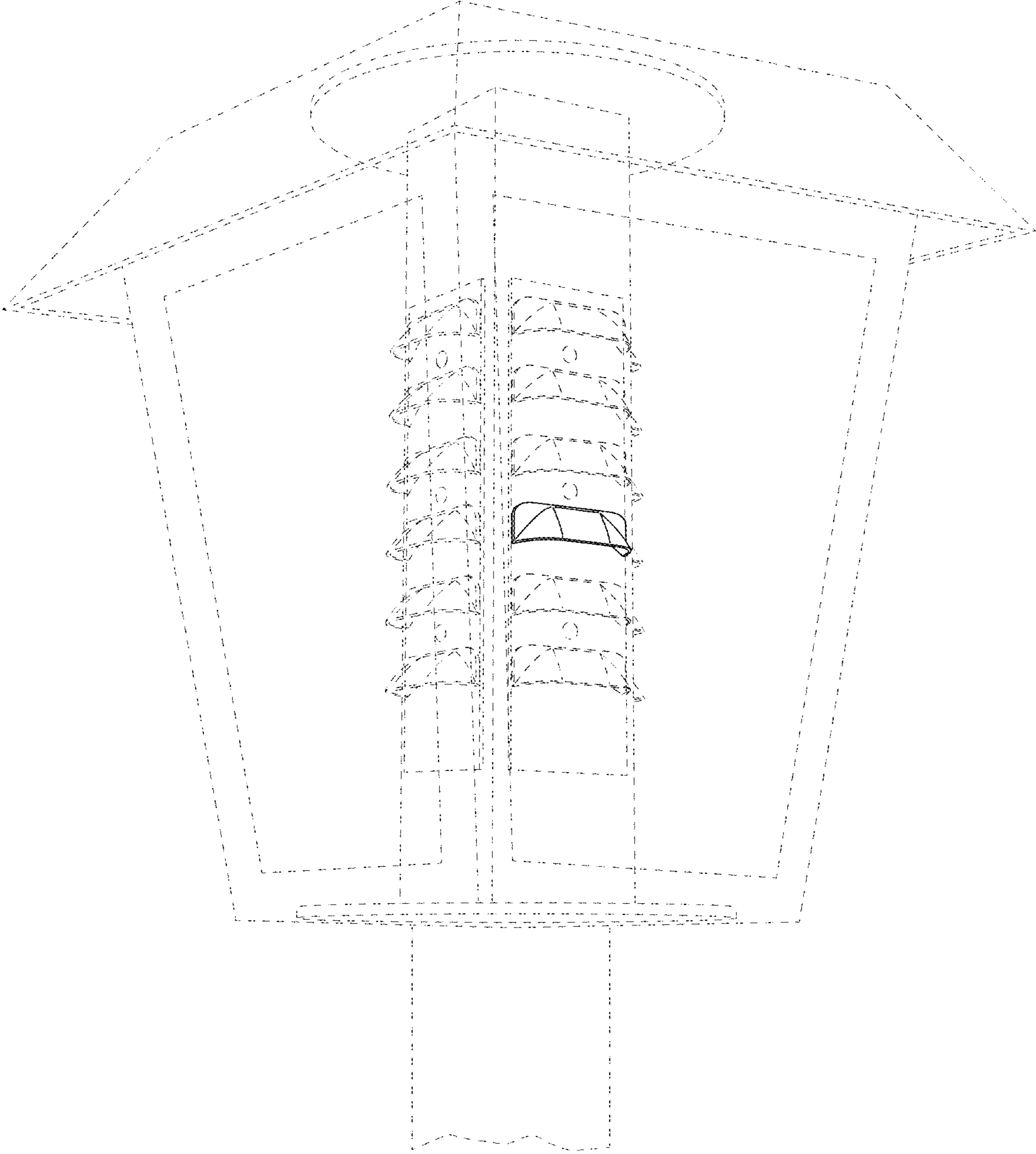


Fig. 1

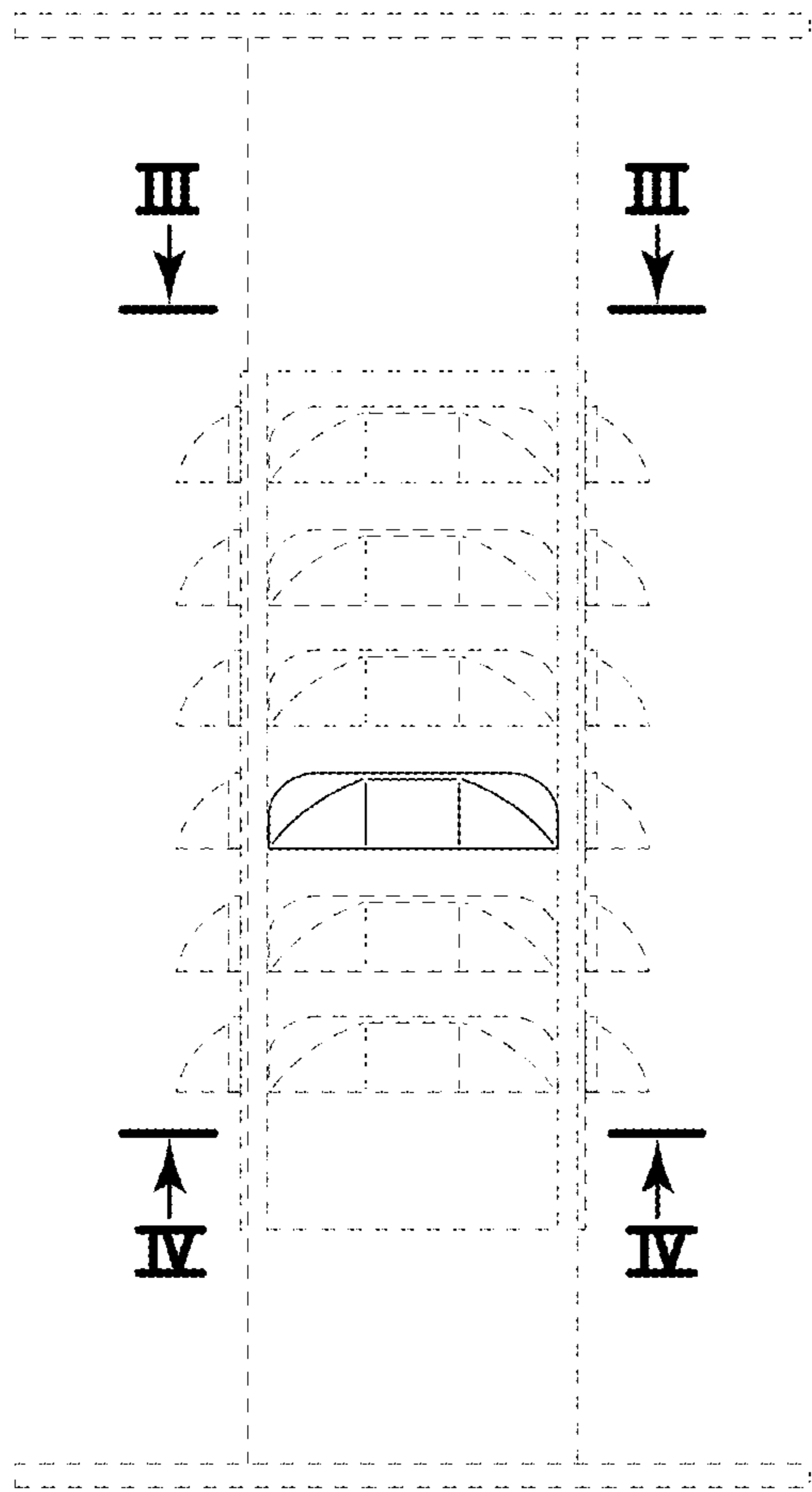


Fig. 2

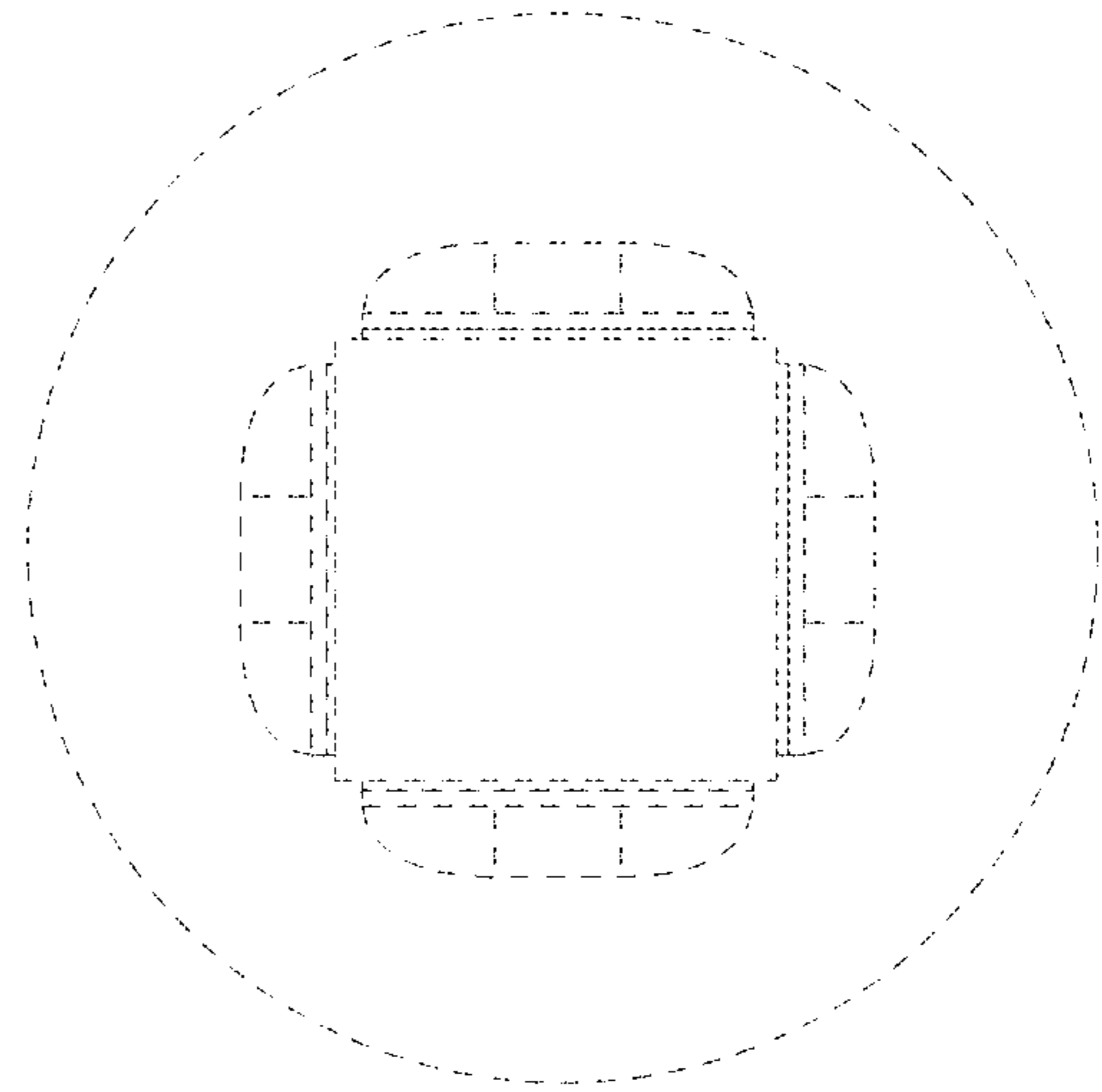


Fig. 3

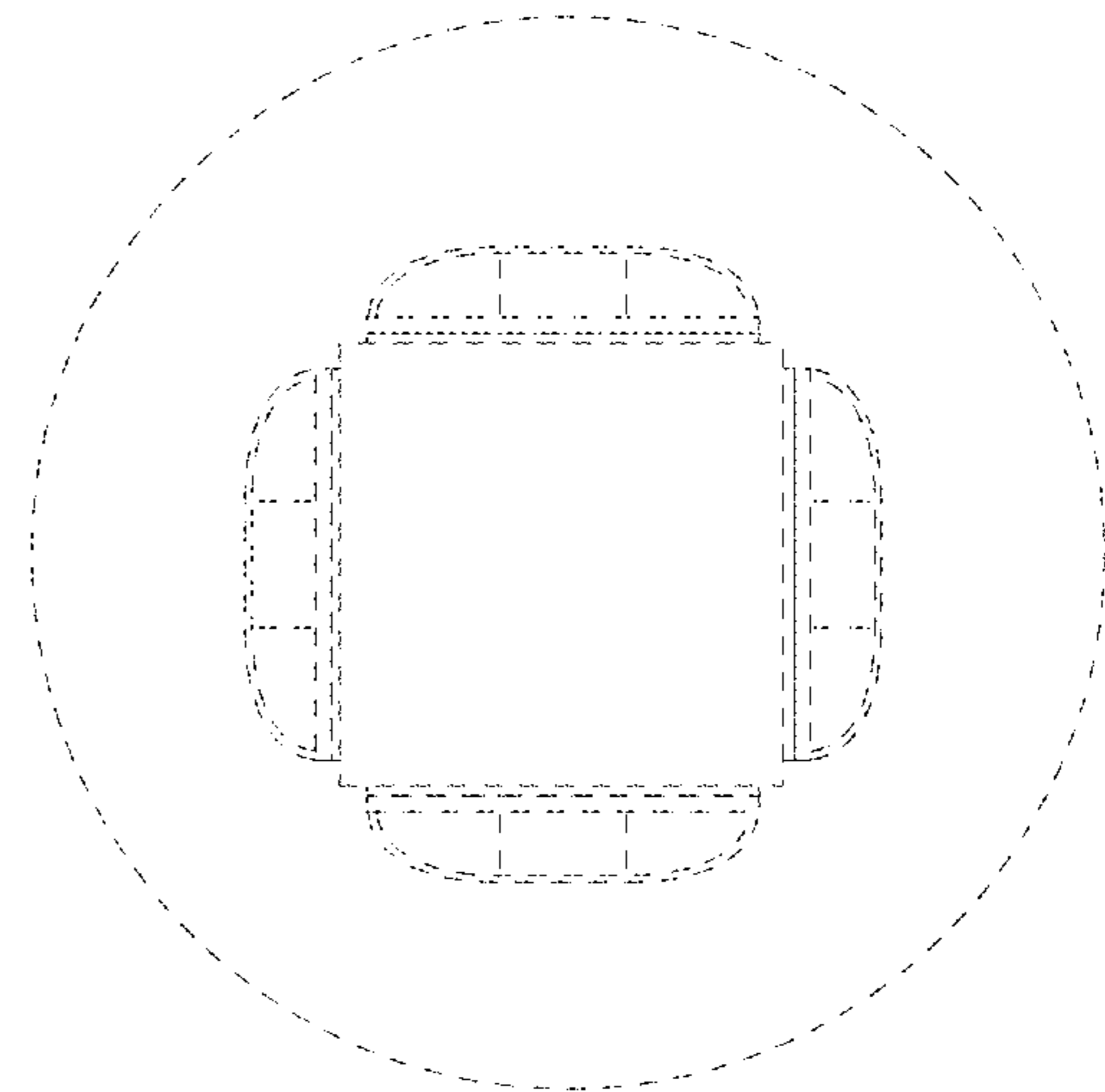


Fig. 4

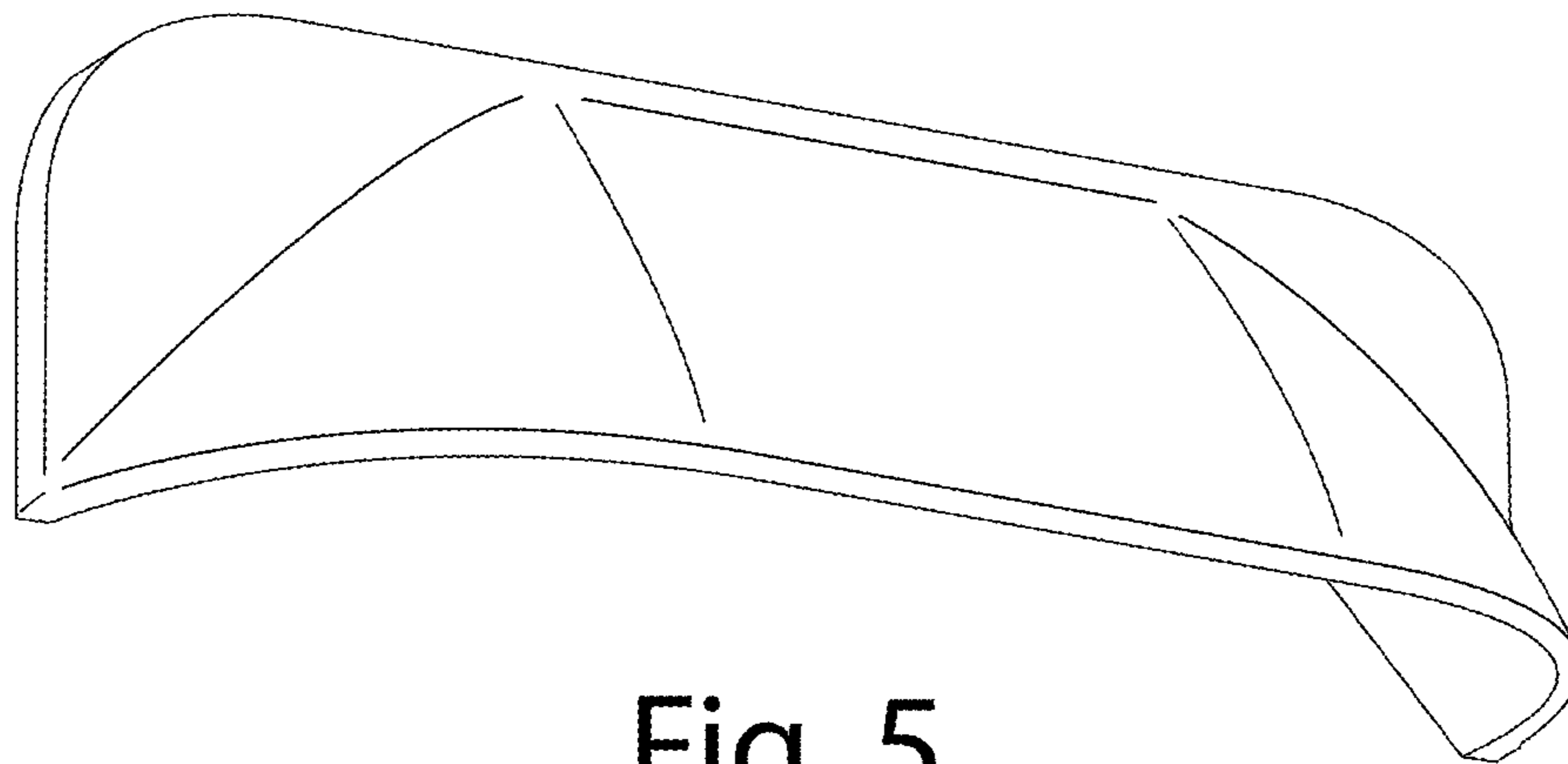


Fig. 5

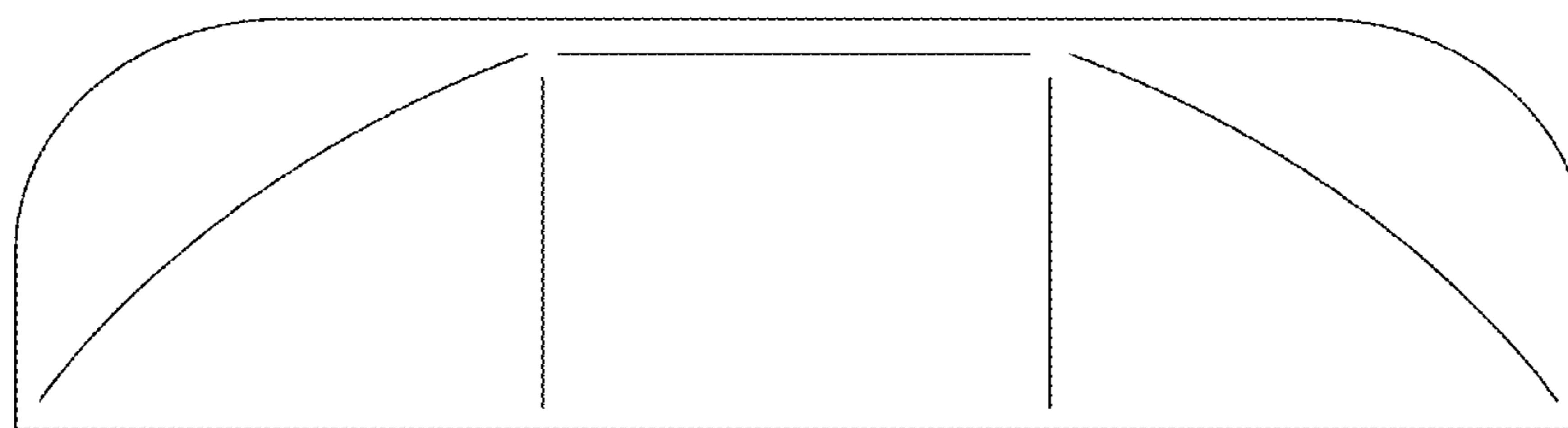


Fig. 6

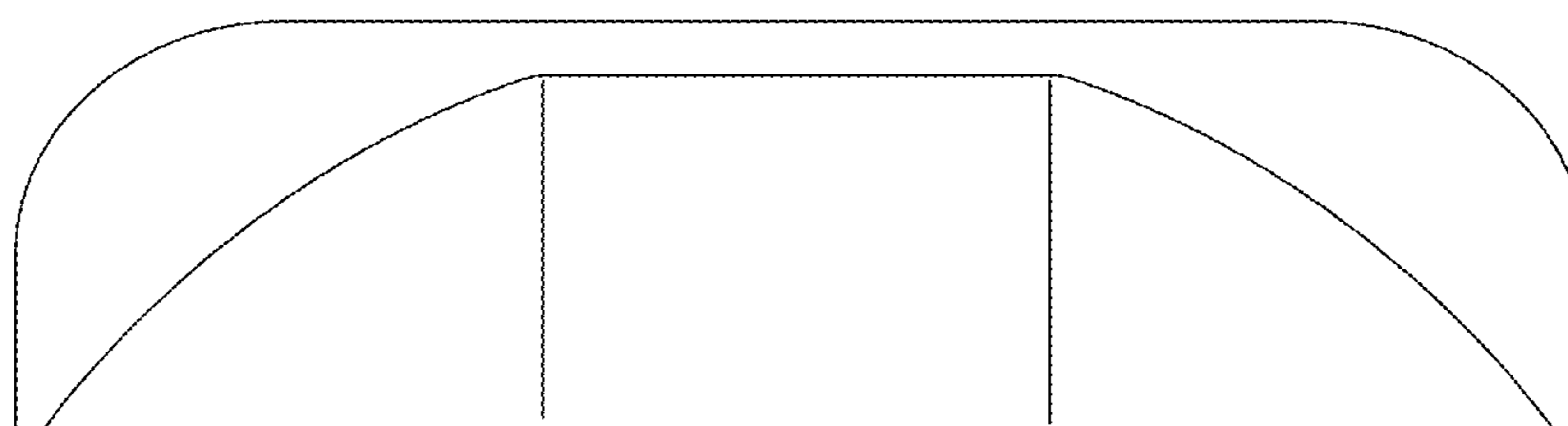


Fig. 7

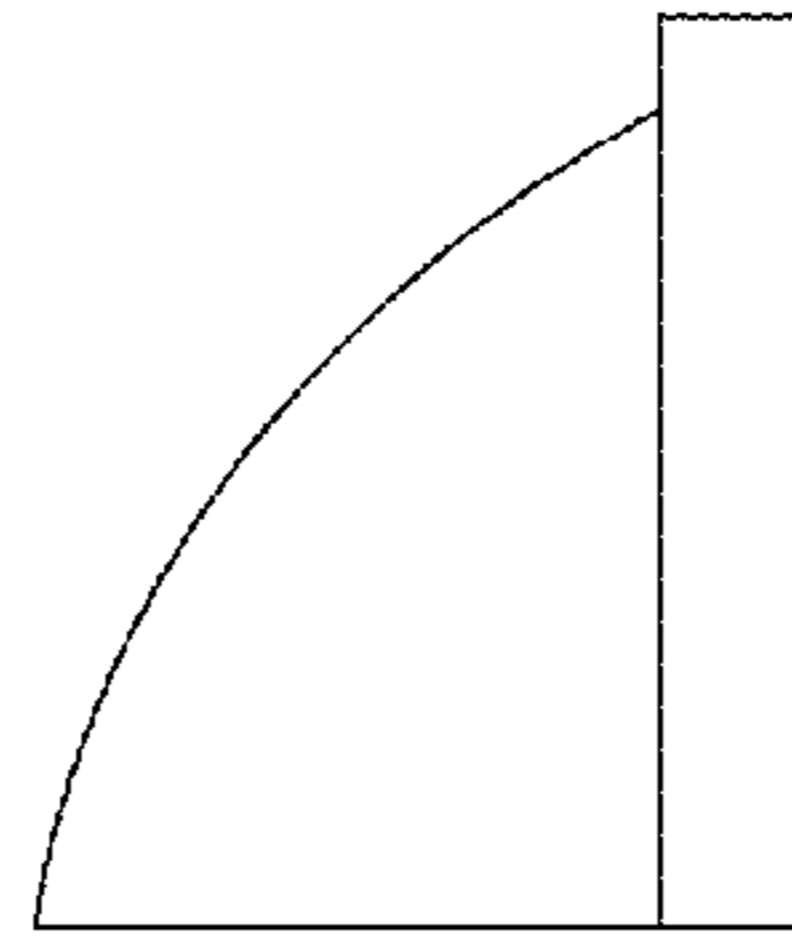


Fig. 8

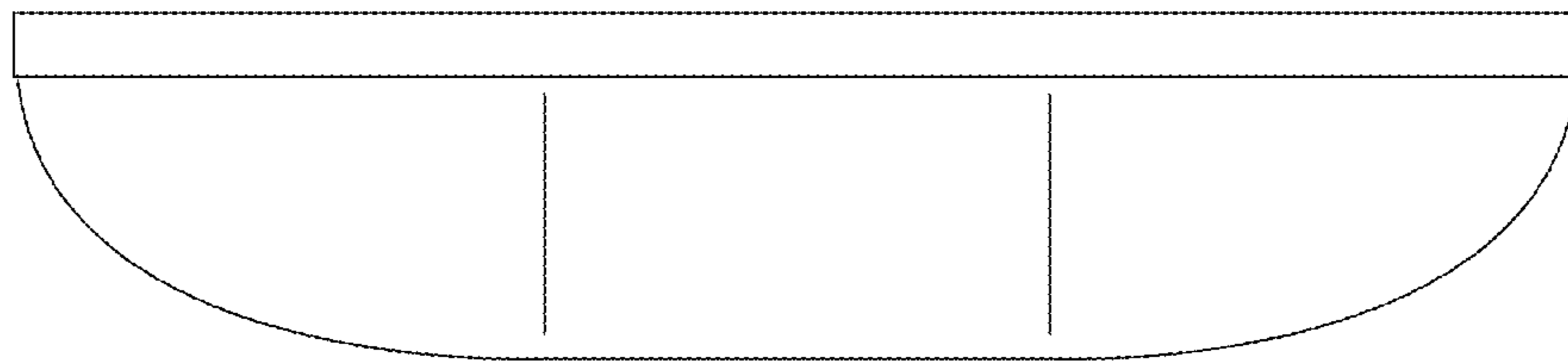


Fig. 9

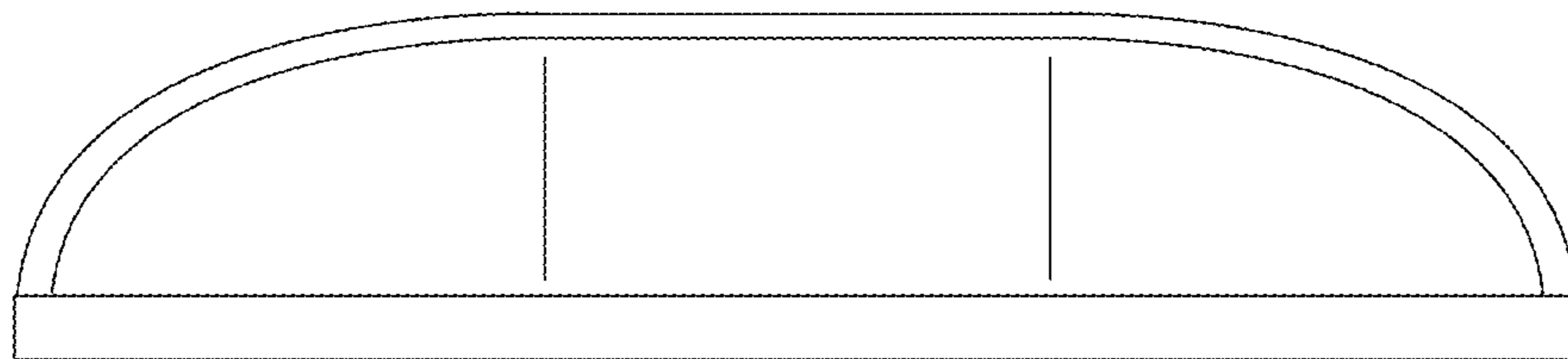


Fig. 10