



US00D792635S

(12) **United States Design Patent**
Reynolds

(10) **Patent No.:** **US D792,635 S**
(45) **Date of Patent:** **** Jul. 18, 2017**

(54) **HORTICULTURE GROW LIGHT**

- (71) Applicant: **IP Holdings, LLC**, Vancouver, WA (US)
- (72) Inventor: **Christopher Reynolds**, Vancouver, WA (US)
- (73) Assignee: **IP Holdings, LLC**, Vancouver, WA (US)
- (**) Term: **14 Years**
- (21) Appl. No.: **29/526,565**
- (22) Filed: **May 11, 2015**

Related U.S. Application Data

- (63) Continuation of application No. 29/498,791, filed on Aug. 7, 2014, now Pat. No. Des. 732,235.
- (51) **LOC (10) Cl.** **26-99**
- (52) **U.S. Cl.**
USPC **D26/118**
- (58) **Field of Classification Search**
USPC D26/24-26, 28, 51, 55-57, 59-64, 66, D26/72-91, 93, 113, 118-120, 122, 138,
(Continued)

(56) **References Cited**

U.S. PATENT DOCUMENTS

- 32,722 A 7/1861 Schmidlin
 - D46,253 S 8/1914 Kopp
- (Continued)

FOREIGN PATENT DOCUMENTS

- CA 2034710 A1 8/1991
 - EP 0325003 A1 7/1989
- (Continued)

OTHER PUBLICATIONS

Apollo Horticulture GLRCTAC 6" Air Cool Tube Grow Light Deluxe Glass Cylinder with Hood Reflector, image post date Oct. 15, 2010, site visted Oct. 3, 2014, (online), <http://www.amazon.com/apollo-horticulture-glrectac-cylinder-reflector/dp/b003qkvv04/ref=pd_sbs_lg_5?ie=utf8&refrid=1y9v9qhh4n5vnctjmfr>.

(Continued)

Primary Examiner — Cynthia Ramirez

Assistant Examiner — Llorellys Martinez-Rivera

(74) *Attorney, Agent, or Firm* — J. Douglas Wells

(57) **CLAIM**

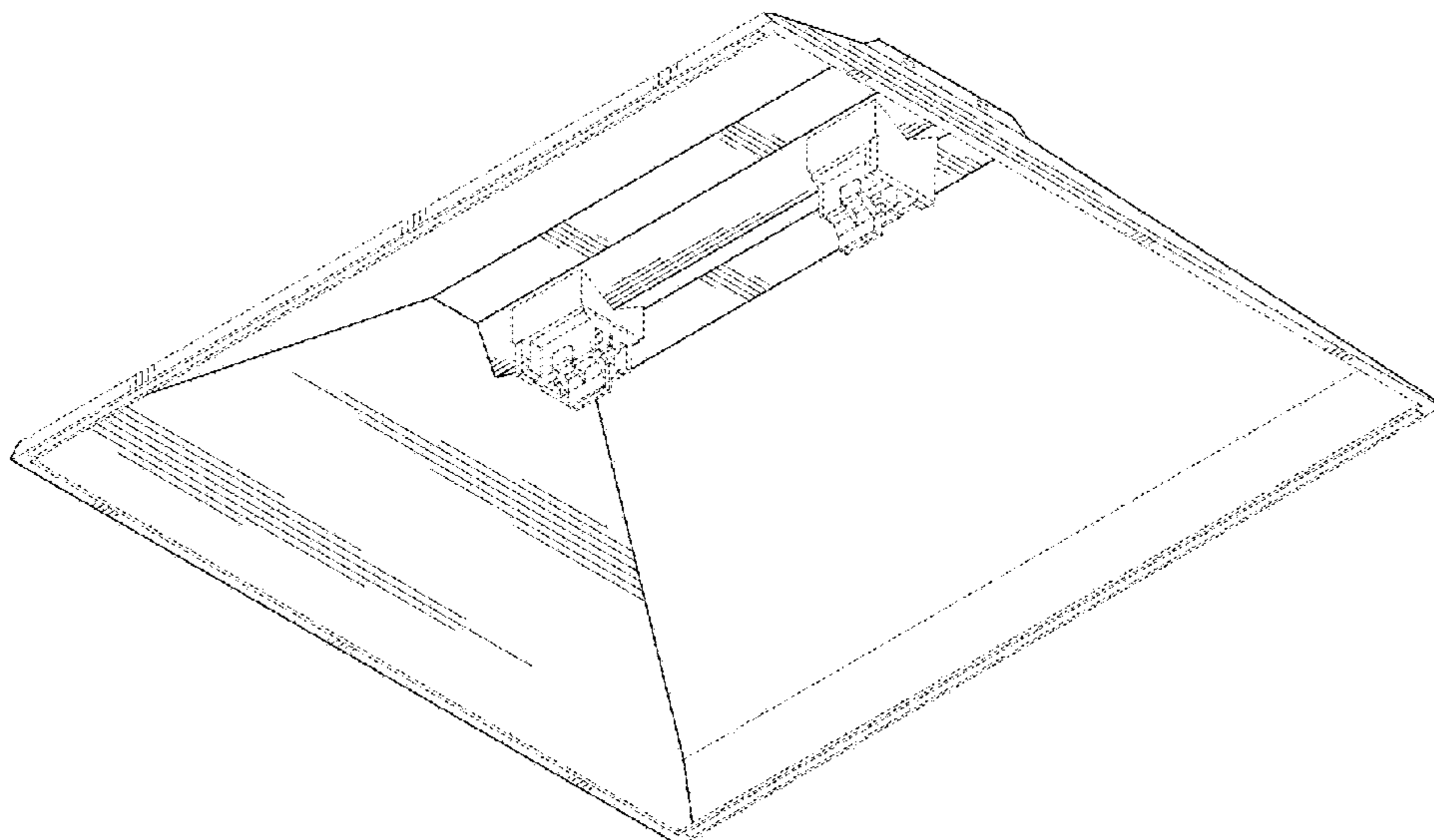
The ornamental design for a horticulture grow light, as shown and described.

DESCRIPTION

FIG. 1 is a bottom perspective view of a horticulture grow light showing my new design;
 FIG. 2 is a top perspective view of the horticulture grow light in FIG. 1;
 FIG. 3 is a left side elevation view of the horticulture grow light in FIG. 1;
 FIG. 4 is a right side elevation view of the horticulture grow light in FIG. 1;
 FIG. 5 is a front elevation view of the horticulture grow light in FIG. 1;
 FIG. 6 is a rear elevation view of the horticulture grow light in FIG. 1;
 FIG. 7 is a top plan view of the horticulture grow light in FIG. 1; and,
 FIG. 8 is a bottom plan view of the horticulture grow light in FIG. 1.

The broken-line disclosure shown in the views is understood to represent portions of the article in which the claimed design is embodied, but which form no part of the claimed design.

1 Claim, 6 Drawing Sheets



US D792,635 S

(58) **Field of Classification Search**

USPC D26/140-142; 362/145-148, 150-153,
 362/153.1, 217.01, 217.02,
 362/217.05-217.07, 217.1, 217.15, 218,
 362/223, 241, 249.02, 296.07, 296.08,
 362/294, 299, 311.02, 341-345, 362, 373,
 362/563, 580, 600, 608, 609, 640, 641,
 362/805
 CPC .. F21S 8/026; F21S 8/04; F21V 29/00; F21V
 29/004; F21V 29/2212; F21V 29/83;
 F21V 21/02; F21V 21/04; F21V 9/02;
 F21V 5/02; F21V 5/002; F21V 7/005;
 F21V 7/041; Y10S 362/805; Y10S
 385/901; Y10S 47/06

See application file for complete search history.

4,669,033	A	5/1987	Lee
D290,662	S	7/1987	Basil
D300,877	S	4/1989	Cyr
4,855,884	A	8/1989	Richardson
4,893,221	A	1/1990	Friedman
4,933,821	A	6/1990	Anderson
4,939,629	A	7/1990	Glanton et al.
D311,597	S	10/1990	Poot
4,970,428	A	11/1990	Hayakawa et al.
4,980,809	A	12/1990	Baldwin et al.
D316,301	S	4/1991	Michael
5,065,294	A	11/1991	Poot, Jr.
5,072,349	A	12/1991	Waniga
D323,897	S	2/1992	Compton
5,088,015	A	2/1992	Baggio
D329,104	S	9/1992	Dieperink
D330,438	S	10/1992	Herst
5,192,129	A	3/1993	Figueroa
5,199,784	A	4/1993	Hempleman
5,253,152	A	10/1993	Yang
D349,358	S	8/1994	Herst
5,353,746	A	10/1994	Del Rosario
D352,126	S	11/1994	Ruud et al.
5,440,470	A	8/1995	Ly
5,461,554	A	10/1995	Leonetti et al.
D365,159	S	12/1995	Tinen
5,486,737	A	1/1996	Hrubowchak et al.
5,510,676	A	4/1996	Cottaar et al.
D373,000	S	8/1996	Brady
5,555,162	A	9/1996	Shemitz
D374,301	S	10/1996	Kleffiman
5,568,680	A	10/1996	Parker
5,570,947	A	11/1996	Felland
D376,437	S	12/1996	Karlo
D377,993	S	2/1997	Herst
5,621,267	A	4/1997	Shaffner
D383,243	S	9/1997	Fry
5,698,947	A	12/1997	Choi
5,702,179	A	12/1997	Sidwell
D391,632	S	3/1998	Thomas
D396,319	S	7/1998	Sutton
D397,481	S	8/1998	Schafer
D399,328	S	10/1998	Compton
D399,329	S	10/1998	Compton
D399,587	S	10/1998	Compton
D400,289	S	10/1998	Wardenburg
5,816,694	A	10/1998	Ideker
D401,006	S	11/1998	Edwards
D405,976	S	2/1999	Beall
5,896,004	A	4/1999	Feldman et al.
5,924,789	A	7/1999	Thornton
5,932,955	A	8/1999	Berger et al.
5,938,317	A	8/1999	Thornton
D415,304	S	10/1999	Brown
5,983,564	A	11/1999	Stragnola
5,987,697	A	11/1999	Song et al.
5,999,943	A	12/1999	Nori
D418,626	S	1/2000	Herst
D419,248	S	1/2000	Lyons
6,024,468	A	2/2000	Kassay
6,042,250	A	3/2000	Stragnola
6,051,927	A	4/2000	Graser et al.
6,053,624	A	4/2000	Cronk
D425,237	S	5/2000	Scott
D425,652	S	5/2000	Brok
D426,010	S	5/2000	Compton
6,061,690	A	5/2000	Nori
6,065,849	A	5/2000	Chen
6,070,173	A	5/2000	Huber
6,076,944	A	6/2000	Maranon
6,079,851	A	6/2000	Altman
D428,516	S	7/2000	Reo
6,094,919	A	8/2000	Bhatia
6,111,739	A	8/2000	Wu et al.
6,152,579	A	11/2000	Reed et al.
D439,008	S	3/2001	Kim
D440,289	S	4/2001	Olson et al.
6,210,025	B1	4/2001	Schmidt
6,230,497	B1	5/2001	Morris et al.

(56) **References Cited**

U.S. PATENT DOCUMENTS

1,410,945	A	3/1922	Mayfield
1,547,026	A	7/1925	Canney
1,798,567	A	3/1931	Wagenhorst
D85,049	S	9/1931	Kopp
D85,382	S	10/1931	Guth
1,848,734	A	3/1932	Luce
1,873,310	A	8/1932	Doane
1,930,070	A	10/1933	Zecher
1,987,705	A	1/1935	Pedersen
D106,614	S	10/1937	Waterbury
2,194,841	A	3/1940	Welch
D119,800	S	4/1940	Carter
D123,768	S	12/1940	Scribner
D125,559	S	3/1941	Biller
2,242,590	A	5/1941	Marcel
D128,049	S	7/1941	Kurtz
D135,375	S	3/1943	Biller
2,339,100	A	1/1944	Netting
2,348,617	A	5/1944	Furedy
D156,014	S	11/1949	Lazerson
2,492,946	A	1/1950	Barber
D174,221	S	3/1955	Hatch et al.
2,740,883	A	4/1956	Kruger
2,741,694	A	4/1956	Wiig
2,998,511	A	8/1961	Chan
3,025,391	A	3/1962	Golko
D193,802	S	10/1962	Thomsen
D195,012	S	4/1963	Hoyle
3,125,301	A	3/1964	Stotter
3,263,071	A	7/1966	Fabbri
3,272,978	A	9/1966	Jackson
3,322,946	A	5/1967	Cooper
3,420,995	A	1/1969	Dunckel
D213,391	S	2/1969	Bruno
3,433,941	A	3/1969	Hall
3,675,008	A	7/1972	Hill
3,701,898	A	10/1972	McNamara
3,755,667	A	8/1973	Price
3,829,677	A	8/1974	DeLlano
3,902,059	A	8/1975	McNamara
3,911,265	A	10/1975	Landrum
4,028,542	A	6/1977	McReynolds, Jr.
D245,016	S	7/1977	Barr
4,037,096	A	7/1977	Brendgord
4,078,169	A	3/1978	Armstrong
4,175,360	A	11/1979	Mulvey
4,229,782	A	10/1980	Ruud
D259,738	S	6/1981	Boschetti
4,308,473	A	12/1981	Carnes
D262,659	S	1/1982	Laltta
D266,578	S	10/1982	Moshier
D268,287	S	3/1983	Boschetti
D270,577	S	9/1983	DeVos
4,446,506	A	5/1984	Larson
4,531,180	A	7/1985	Hernandez
4,616,293	A	10/1986	Baliozian

(56)

References Cited

U.S. PATENT DOCUMENTS

D443,198 S	6/2001	Snyder	D603,087 S	10/2009	Mo et al.
D443,949 S	6/2001	DiMonte	7,617,057 B2	11/2009	May et al.
6,247,830 B1	6/2001	Winnett	D605,342 S	12/2009	Chung
D445,943 S	7/2001	Littman	D608,490 S	1/2010	Chung
6,257,735 B1	7/2001	Baar	7,641,367 B2	1/2010	Hargreaves et al.
6,267,483 B1	7/2001	Hembery	7,654,702 B1	2/2010	Ding
D447,272 S	8/2001	Smith	D613,900 S	4/2010	Hargreaves
6,279,012 B1	8/2001	Sexton	D614,801 S	4/2010	Collins et al.
6,299,327 B1	10/2001	Camarota	7,722,228 B2	5/2010	Broer
D452,559 S	12/2001	Schonberger	D617,028 S	6/2010	Verfuert et al.
6,343,984 B1	2/2002	Langdon et al.	D620,190 S	7/2010	Chung
6,371,630 B1	4/2002	Unger	D621,993 S	8/2010	Jong
D456,927 S	5/2002	Russello	7,771,086 B2	8/2010	Goverde
D456,928 S	5/2002	Russello	D628,335 S	11/2010	Hyland
D456,938 S	5/2002	Wardenburg	7,854,534 B2	12/2010	Liu
D457,450 S	5/2002	Lamond et al.	D632,419 S	2/2011	Ng
D459,825 S	7/2002	Field	D633,247 S	2/2011	Kong
6,488,387 B2	12/2002	Wardenburg	D633,640 S	3/2011	Wauters
D469,564 S	1/2003	Brok	D634,060 S	3/2011	Wardenburg
6,527,422 B1	3/2003	Hutchison	D634,240 S	3/2011	Junkeer
6,548,948 B1	4/2003	Muessli	D634,468 S	3/2011	Hargreaves
6,595,662 B2	7/2003	Wardenburg	D634,469 S	3/2011	Hargreaves
6,601,972 B2	8/2003	Sei et al.	D637,162 S	5/2011	Bridgman
6,658,652 B1	12/2003	Alexander	D637,341 S	5/2011	Wardenburg
6,679,619 B2	1/2004	Saieva	D637,752 S	5/2011	Mekhtarian
D486,593 S	2/2004	Griffin	D640,404 S	6/2011	Chipperfield
6,688,759 B1	2/2004	Hadjimichael	7,959,331 B2	6/2011	Ho
6,709,131 B1	3/2004	Herst	D641,100 S	7/2011	Li
6,729,383 B1	5/2004	Cannell et al.	7,972,044 B2	7/2011	Burkhauser
6,783,263 B1	8/2004	Cronk	D644,185 S	8/2011	Hargreaves
D496,121 S	9/2004	Santoro	7,987,632 B2	8/2011	May et al.
D499,504 S	12/2004	Meyer	8,018,630 B2	9/2011	Herloski
D499,505 S	12/2004	Benensohn	8,038,318 B2	10/2011	Plunk
D504,343 S	4/2005	Ek	D648,652 S	11/2011	Hawkins
6,885,134 B2	4/2005	Kurashima et al.	D649,685 S	11/2011	Trzesniowski
6,908,212 B2	6/2005	Schultz	D650,515 S	12/2011	Bradley et al.
7,011,424 B1	3/2006	Poulson	D650,935 S	12/2011	Beghelli
7,083,309 B2	8/2006	Chan	8,113,696 B2	2/2012	Striebel
7,131,753 B1	11/2006	Edwards, Jr.	D655,403 S	3/2012	Zakula
7,156,539 B2	1/2007	Cronk	D657,748 S	4/2012	Hargreaves
7,175,309 B2	2/2007	Craw et al.	D660,252 S	5/2012	Hargreaves
D542,460 S	5/2007	Hargreaves	D661,370 S	6/2012	Zock
D543,652 S	5/2007	Hargreaves	D661,833 S	6/2012	Imajo
D543,654 S	5/2007	Hargreaves	8,209,912 B2	7/2012	Hargreaves et al.
D543,655 S	5/2007	Hargreaves	8,215,799 B2	7/2012	Vanden Eynden
7,213,948 B2	5/2007	Hein	D667,584 S	9/2012	Beghelli
D544,136 S	6/2007	Hargreaves	D668,370 S	10/2012	Guercio
D544,138 S	6/2007	Hargreaves	D671,259 S	11/2012	Chen
D544,139 S	6/2007	Hargreaves	D672,908 S	12/2012	Wilcox
D544,626 S	6/2007	Hargreaves	D672,911 S *	12/2012	Mayfield, III D26/120
D544,980 S	6/2007	Hargreaves	D673,324 S	12/2012	Mayfield
D544,981 S	6/2007	Hargreaves	8,334,640 B2	12/2012	Reed et al.
D544,982 S	6/2007	Hargreaves	D675,369 S	1/2013	Michaud
D544,983 S	6/2007	Hargreaves	8,348,481 B2	1/2013	Chang
D544,984 S	6/2007	Hargreaves	D675,772 S	2/2013	Tran
D544,985 S	6/2007	Hargreaves	8,371,726 B2	2/2013	Collins et al.
D544,987 S	6/2007	Hargreaves	D678,597 S	3/2013	Lehman
D544,994 S	6/2007	Hargreaves	D678,599 S	3/2013	Boyer et al.
D544,995 S	6/2007	Hargreaves	D679,848 S	4/2013	Pickard
D545,460 S	6/2007	Mason, II	D683,064 S	5/2013	Tuck
D545,484 S	6/2007	Hargreaves	8,505,224 B2	8/2013	Huang
D545,485 S	6/2007	Hargreaves	D689,238 S	9/2013	Halsey
D545,990 S	7/2007	Hargreaves	D689,986 S	9/2013	Lord
D545,994 S	7/2007	Hargreaves	D690,875 S	10/2013	McKenzie
D545,996 S	7/2007	Hargreaves	D693,959 S	11/2013	Boyer
D549,869 S	8/2007	Ward	D697,663 S	1/2014	Speier
7,296,914 B1	11/2007	Russello	D698,074 S	1/2014	Hargreaves
7,360,927 B2	4/2008	Oka	D698,075 S	1/2014	Klus
D569,024 S	5/2008	Redfern	D698,986 S *	2/2014	Reynolds D26/118
D572,858 S	7/2008	Santoro	D698,987 S	2/2014	Stanley
7,445,363 B2	11/2008	Vanden Eynden	D699,386 S	2/2014	Park
7,524,090 B2	4/2009	Hargreaves	D702,827 S	4/2014	Mase
7,534,011 B2	5/2009	Townsley	8,702,283 B2	4/2014	Bradley
D595,894 S	7/2009	Verfuert et al.	D705,474 S	5/2014	Philips
D602,625 S	10/2009	Santoro	D705,974 S	5/2014	Blessitt
			8,723,086 B2	5/2014	McMahan
			D707,385 S	6/2014	Wardenburg
			D708,390 S	7/2014	Roos
			D710,528 S	8/2014	Wardenburg

(56)

References Cited

U.S. PATENT DOCUMENTS

8,801,235 B2	8/2014	Yurich	D765,306 S	8/2016	Wardenburg
D713,953 S	9/2014	Jepson	D766,756 S	9/2016	Franc
D714,988 S	10/2014	Park	D769,513 S	10/2016	Reynolds
D715,994 S	10/2014	Klus	D769,514 S	10/2016	Reynolds
D716,995 S	11/2014	Zhu	D770,079 S	10/2016	Stanley
D717,487 S	11/2014	Guzzini	D770,082 S	10/2016	Reynolds
D717,636 S	11/2014	Stanley	D770,670 S	11/2016	Reynolds
D720,488 S	12/2014	Toyohisa	D770,671 S	11/2016	Reynolds
D720,505 S	12/2014	Kersten	D771,301 S	11/2016	Stanley
8,905,575 B2	12/2014	Durkee	D771,304 S	11/2016	Goltche
D720,876 S	1/2015	Haverfield	D773,107 S	11/2016	Stanley
D721,844 S	1/2015	Lay	D775,406 S *	12/2016	Hargreaves D26/118
D722,654 S	2/2015	Martone	D775,760 S *	1/2017	Reynolds D26/118
D725,819 S	3/2015	Reynolds	D780,985 S	3/2017	Stanley
D725,820 S	3/2015	Hargreaves	D780,986 S	3/2017	Reynolds
8,967,821 B2	3/2015	Pickard	D781,492 S	3/2017	Reynolds
D726,359 S	4/2015	Grigore	D783,887 S	4/2017	Stanley
8,998,473 B1	4/2015	Anderson	2002/0073285 A1	6/2002	Butterworth
9,016,892 B1	4/2015	Scribante	2002/0141195 A1	10/2002	Peter
9,016,907 B2	4/2015	Stanley	2003/0031011 A1	2/2003	Miller
D728,848 S	5/2015	Reyes	2003/0191783 A1	10/2003	Wolczko
D729,435 S	5/2015	Arndt	2004/0240214 A1	12/2004	Whitlow
D730,556 S	5/2015	Toyohisa	2005/0117333 A1	6/2005	Yoshida
D731,103 S	6/2015	Wilke	2005/0160481 A1	7/2005	Todd
D731,109 S	6/2015	Wardenburg	2005/0233691 A1	10/2005	Horton
D731,701 S	6/2015	Hargreaves	2006/0231081 A1	10/2006	Kirakosyan
D732,233 S	6/2015	Reynolds	2006/0232984 A1	10/2006	Schuknecht
D732,234 S	6/2015	Rashidi Doust	2006/0282457 A1	12/2006	Williams
D732,235 S	6/2015	Reynolds	2007/0051321 A1	3/2007	Chang
D732,236 S	6/2015	Reynolds	2007/0070633 A1	3/2007	Eynden
D733,347 S	6/2015	Dungan	2007/0228993 A1	10/2007	Stuer et al.
D733,952 S	7/2015	Lay	2007/0246631 A1	10/2007	Brown
D733,960 S	7/2015	Howe	2007/0282806 A1	12/2007	Hoffman
D734,534 S	7/2015	Howe	2008/0059799 A1	3/2008	Scarlata
D735,391 S	7/2015	Blessitt	2008/0117617 A1	5/2008	Hargreaves et al.
D735,401 S	7/2015	Clements	2008/0130304 A1	6/2008	Rash
D736,450 S *	8/2015	Reynolds D26/118	2008/0178957 A1	7/2008	Thomas et al.
D737,498 S	8/2015	Stanley	2008/0205030 A1	8/2008	Hargreaves
9,110,209 B2	8/2015	Blessitt	2008/0205071 A1	8/2008	Townsley
D738,031 S	9/2015	Martins	2008/0212326 A1	9/2008	Chon
D739,595 S	9/2015	Reynolds	2008/0278950 A1	11/2008	Pickard
9,127,826 B2	9/2015	Boyer	2009/0166250 A1	7/2009	Subramanian et al.
D740,486 S	10/2015	Stanley	2009/0231840 A1	9/2009	Boehme et al.
D740,996 S	10/2015	Tragatschnig	2009/0262540 A1	10/2009	Hargreaves
D745,993 S	12/2015	Reynolds	2009/0276478 A1	11/2009	Soman
D747,029 S	1/2016	Reynolds	2009/0310373 A1	12/2009	Burkhauser
D747,538 S	1/2016	Hargreaves	2009/0316404 A1	12/2009	Mo
D747,825 S	1/2016	Reynolds	2009/0323335 A1	12/2009	Yang
D747,849 S	1/2016	Ingram	2010/0214789 A1	8/2010	Hawkes
D747,923 S	1/2016	Cornu	2010/0238661 A1	9/2010	Pfund
D748,319 S	1/2016	Johnson	2010/0277908 A1	11/2010	Hu
D748,320 S	1/2016	Johnson	2010/0277929 A1	11/2010	Hargreaves
D748,847 S	2/2016	Johnson	2010/0295468 A1	11/2010	Pedersen
D748,849 S	2/2016	Stanley	2010/0302768 A1	12/2010	Collins et al.
D748,850 S	2/2016	Johnson	2011/0169412 A1	7/2011	Yurich
D749,773 S	2/2016	Waible	2011/0203096 A1	8/2011	Hargreaves
D750,312 S	2/2016	Reynolds	2011/0259665 A1	10/2011	Morgan
D750,313 S	2/2016	Reynolds	2012/0051041 A1	3/2012	Edmond
D750,316 S	2/2016	Reynolds	2012/0092859 A1	4/2012	Gregoris
9,255,690 B2	2/2016	Dimitriadis	2012/0212883 A1	8/2012	Hargreaves
D750,831 S	3/2016	Clements	2012/0230035 A1	9/2012	Bradley, Jr. et al.
D751,244 S	3/2016	Reynolds	2012/0302768 A1	11/2012	Janka et al.
D751,245 S	3/2016	Stanley	2013/0077329 A1	3/2013	Hessling
D751,247 S	3/2016	Reynolds	2013/0083539 A1	4/2013	Dimitriadis
D753,654 S	4/2016	Eastwood	2013/0155685 A1	6/2013	Stanley
9,310,037 B2	4/2016	Cercone	2013/0242573 A1	9/2013	Petsoki
D756,016 S	5/2016	Hargreaves	2013/0250567 A1	9/2013	Edmond
D756,023 S	5/2016	Hoffer	2014/0378283 A1	12/2014	Qiu
D756,026 S	5/2016	Reynolds	2015/0023022 A1	1/2015	Stanley
D757,323 S	5/2016	Reynolds	2015/0098215 A1	4/2015	Torabifard
D757,326 S	5/2016	Reynolds	2015/0252992 A1	9/2015	Stanley
D757,346 S	5/2016	Stanley	2015/0252993 A1	9/2015	Stanley
9,335,038 B2	5/2016	Stanley	2015/0252994 A1	9/2015	Stanley
9,366,947 B2	6/2016	Miyata	2015/0260381 A1	9/2015	Verfuert
D762,320 S	7/2016	Reynolds			

(56)

References Cited

U.S. PATENT DOCUMENTS

FOREIGN PATENT DOCUMENTS

EP	0440274	A1	8/1991
WO	2008018000	A1	2/2008
WO	2009096775	A2	8/2009
WO	2011119451	A1	9/2011

OTHER PUBLICATIONS

Apollo Horticulture GLRLS24 6" Air Cooled Hydroponic Grow Light Glass Reflector Hood, image post date Oct. 15, 2010, site visited Oct. 3, 2014, (online), <http://www.amazon.com/apollo-horticulture-GLRLS24-hydroponic-reflector/dp/B00BMVK8HG/ref=cm_cd_ql_qh_dp_i>.

Adjustable Reflector, image post date Apr. 23, 2012, site visited Sep. 23, 2015, http://web.archive.org/web/2012043260757/http://hydroponics-products.en.alibaba.com/product/519225678-213056444/adjustable_reflector_grow_light_hydroponics_greenhouse_horticulture_reflector_hood.html.

Agrotech Magnum Reflector, image post date Feb. 5, 2012, site visited Oct. 31, 2014, www.hydroponics.net/1136580.

Cree CR22, image post date Apr. 28, 2011, site visited Nov. 15, 2014, <http://ledsmagazine.com/content/dam/leds/migrated/objects/news/8/4/19/cree204272011.jpg>.

ZR series High Efficacy Troffer, image post date Apr. 13, 2012, site visited Oct. 31, 2014, www.cree.com/lighting/products.

Grow Lights Home Depot: Find many types of grow lights for your plant, published Dec. 22, 2012, online. Site visited Jun. 25, 2014. [Http://besthomedecorfurniture.com/gardening-d%C3%A9cor/grow-lights-home-depot-few-things-to-consider-when-buying-grow-lighting-plants-online.html](http://besthomedecorfurniture.com/gardening-d%C3%A9cor/grow-lights-home-depot-few-things-to-consider-when-buying-grow-lighting-plants-online.html).

LED Grow Light Comparison Test Review, Youtube.com, published Jun. 29, 2012, online. Site visited Jun. 25, 2014. www.youtube.com/watch?v=f-8oy0qbgrs.

Illuminator Pro-Series Hybrid 350W, wordpress.com, published Dec. 22, 2010, online, site visited Jun. 25, 2014. <http://growsetup.wordpress.com/category/grow-lights/>.

California Lightworks New SolarStorm 440W LED Grow Light with UVB, hydrobuilder.com, online. Site visited Jun. 25, 2014. http://hydrobuilder.com/solarstorm-440w-led-grow-light-with-uvb.html?dzid=strands_CLW-SS-440.

2013 Sunlight Supply Cataog, Issuu.com, published Aug. 1, 2013, online. Site visited Feb. 2, 2015. http://issuu.com/sunlightsupply/docs/2013_sunlightproductcatalog/49.

Pages 29 and 54 from 2014-2015 dealer catalog showing and describing Super Sun DE reflector published by Sunlight Supply, Inc. 2014.

Dominator XXXL Non AC Reflector pack of 3 Spec Sheet, GreenTreesHydroponics.com, date available Mar. 12, 2014, online. Site visited Feb. 3, 2015, <https://www.hydroponics.net/i/141477>.

Air Resistance: Distinguishing Between Laminar and Turbulent Flow, www.docstoc.com, Dec. 29, 2010, p. 1-6.

Sun Systems LEC 630 Light Emitting Ceramic Fixture, Spec Sheet for 906217—Sun System LEC 630 120 Volt w/3100 K Lamps, www.sunlightsupply.com/shop/bycategory/led-lighting/sun-system-lec-630-light-emitting-ceramic-fixture, online, updated Feb. 9, 2015. Site visited Mar. 30, 2015, p. 1.

Mohri, Mineko, International Preliminary Report on Patentability for PCT/US2014/014959, Jan. 19, 2016.

A3V Reflector, Titaness Light Shop, www.titanesslightshop.com/products-page/reflectors/a3v-reflector, online. Site visited Jan. 14, 2015.

G2V Grow Light Reflector, Titaness Light Shop, www.titanesslightshop.com/products-page/reflectors/g2v-grow-light-reflector, online. Site visited Jan. 14, 2015.

Sun Systems LEC 315—Reviews?, rollitup.com forum, published Oct. 23, 2013, online. Visited Nov. 8, 2016. <<http://rollitup.org/t/sun-systems-lec-315-reviews.742794>>.

Sun System LEC 315 120v Light Emitting Ceramic Metal Halide Fixture w/ Free Ratchet Light Hangers, Amazon.com, earliest review of Jul. 2, 2014, online. Visited Nov. 8, 2016 <<https://www.amazon.com/sun-system-emitting-ceramic-fixture/dp/B00HBCV8TM>>.

LEC 315 Watt Grow Light Great Yield Reports!, YouTube.com, published Mar. 31, 2014, online. Visited Nov. 8, 2016. <<https://www.youtube.com/watch?v=QqcoW19KnUk>>.

Air Cooled Grow Lights, greensteamhydroponics.com, published May 24, 2014, online. Site visited Nov. 16, 2016. <http://web.archive.org/web/20140524103407/http://www.greensteamhydroponics.com/aircooled-reflector-range-from-greenstream-hydroponics/prod_699.html>.

OG Air Cooled Parabolic Reflector Only—Make the Most of Your Grow Light, GroWell Hydroponics, <http://www.growell.co.uk/og-air-cooled-parabolic-reflector-only.html>, pp. 1-2, accessed Aug. 26, 2014.

1000 Watt Galaxy Grow Amp Double Ended Grow Light Packages, image post date Jan. 30, 2014, site visited Jan. 8, 2016, <<http://www.ehydroponics.com/100-watt-galaxy-grow-amp-double-ended-grow-light-package.html>>.

2009-10-watt-light-set—TinEye, image post date May 23, 2012, site visited Jul. 8, 2016, <<https://www.tineye.com/search/2de39cf51f7a031139a80ce555e2f30d0abd5216/>>.

Square 10 Watt LED Grow Light, image post date Aug. 1, 2011, site visited Jul. 8, 2016, <<http://www.dhgate.com/store/product/hydroponic-vegetable-10-watt-led-grow-light/216755031.html>>.

Growlite HDE 600W-1000W Double Ended Lamp Concealed Vacuum Airflow Technology, Indoor Grow Science, site visited Aug. 3, 2016, <<http://www.indoorgrowscience.net/downloads/specs/hde.pdf>>.

* cited by examiner

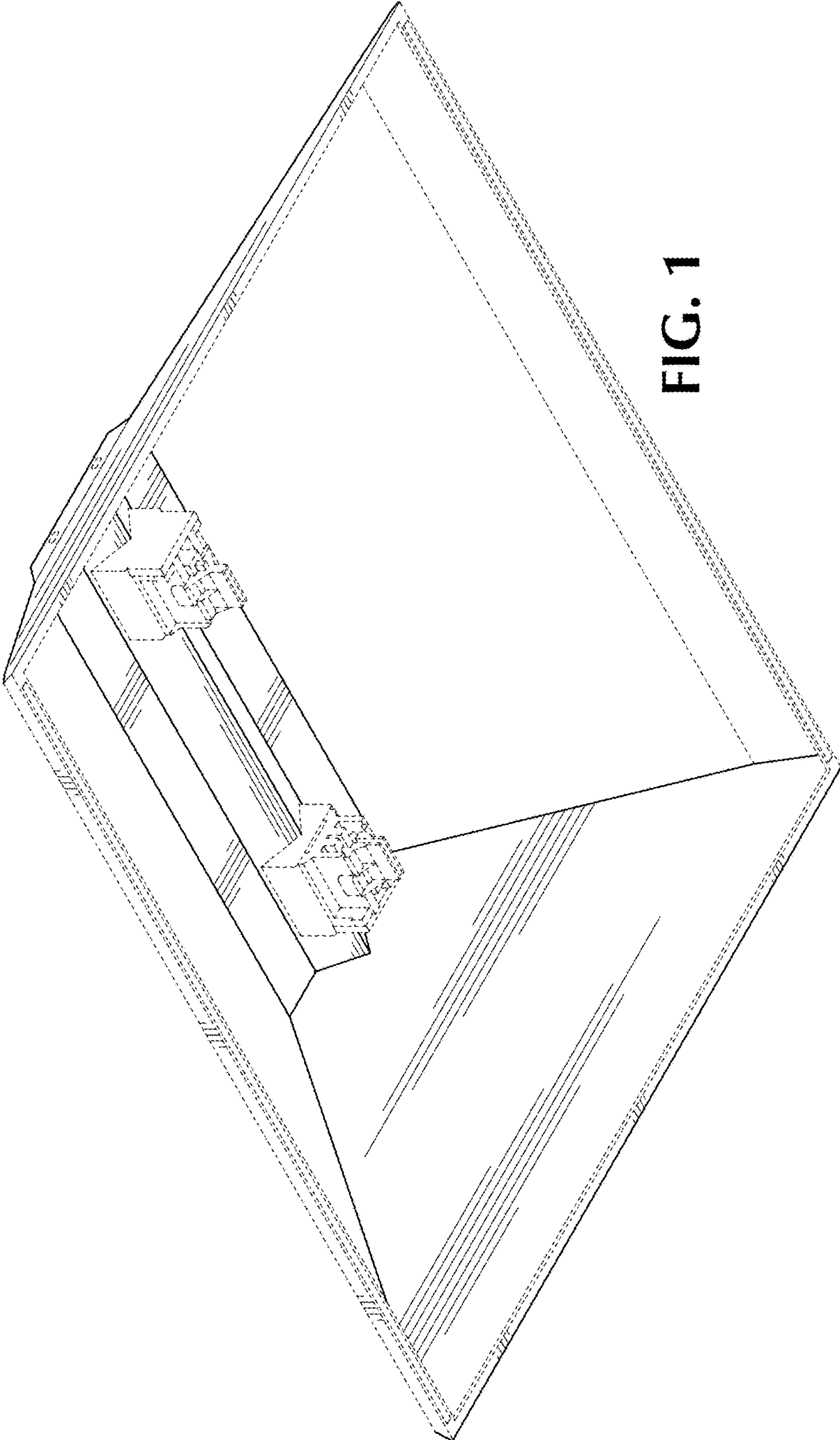


FIG. 1

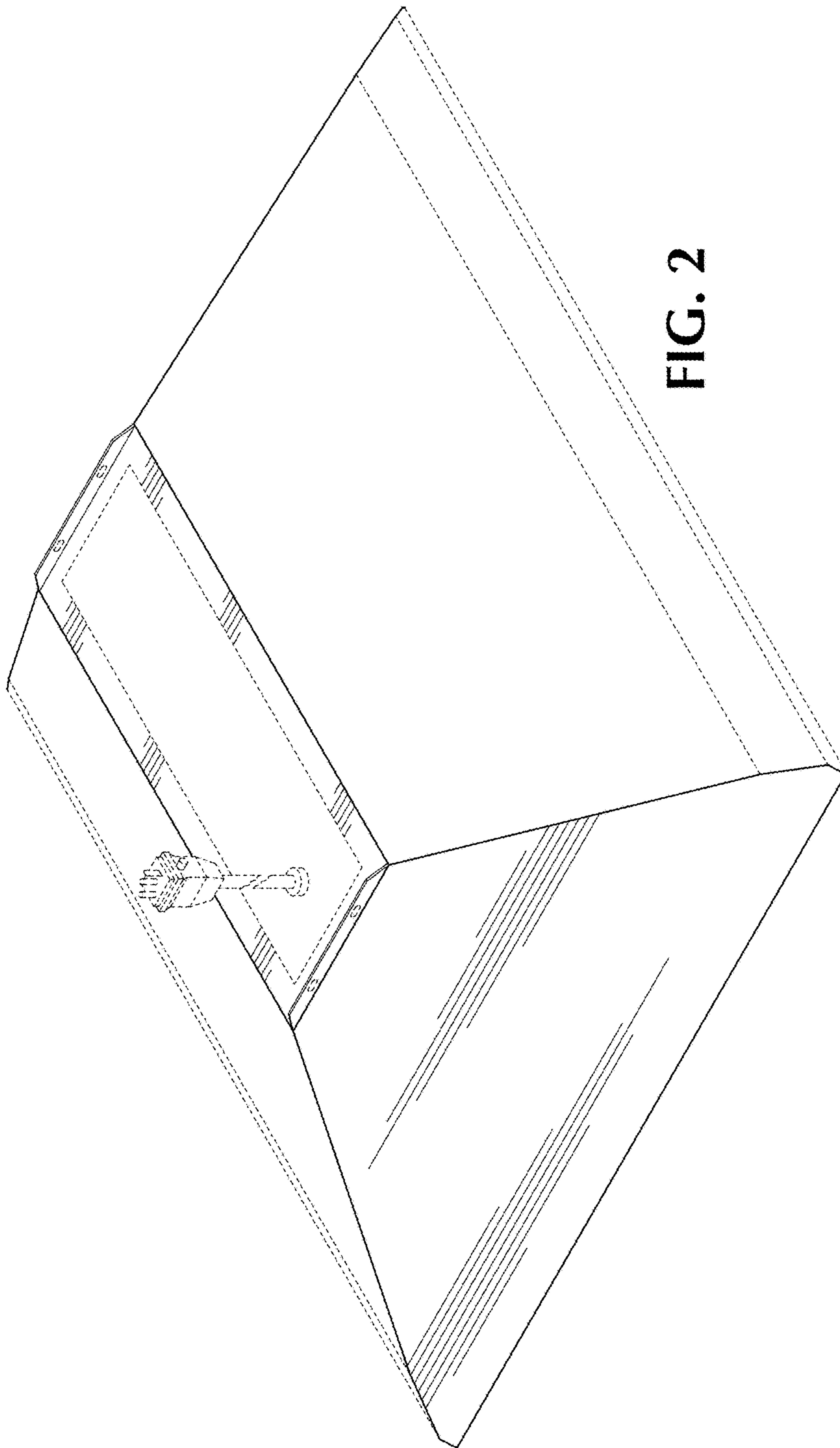


FIG. 2

FIG. 3

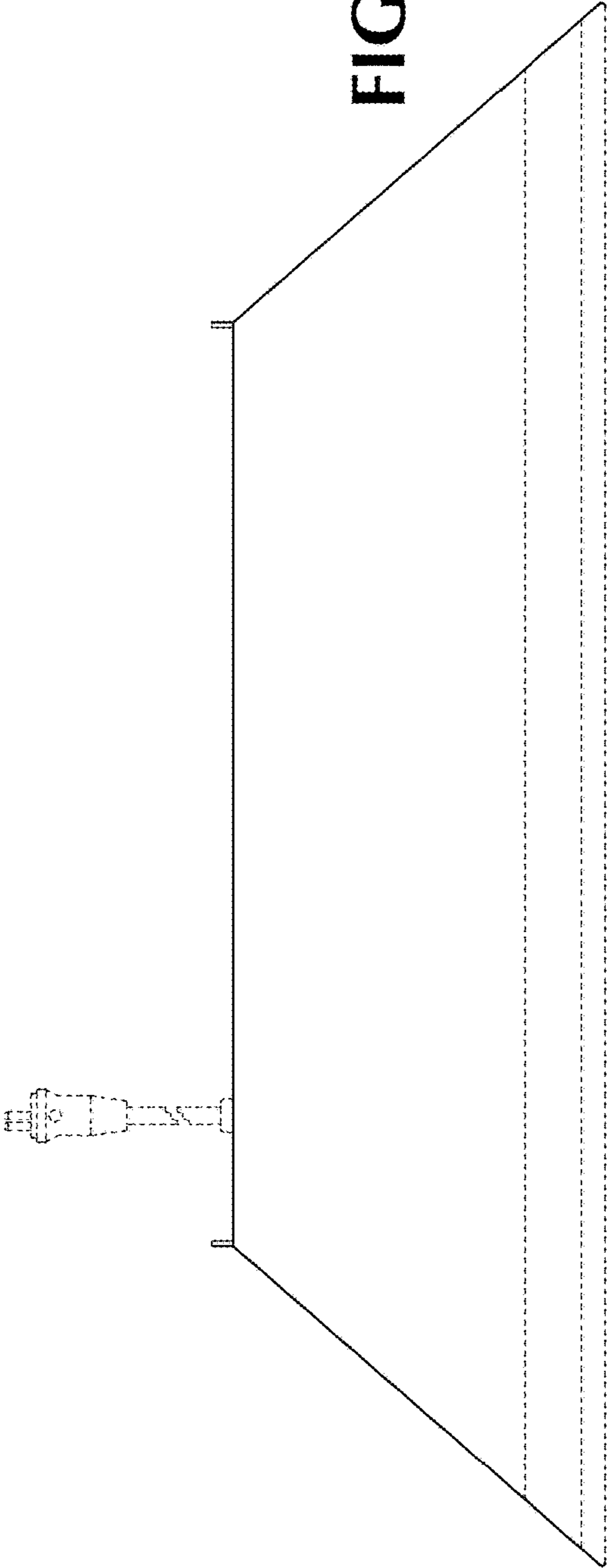
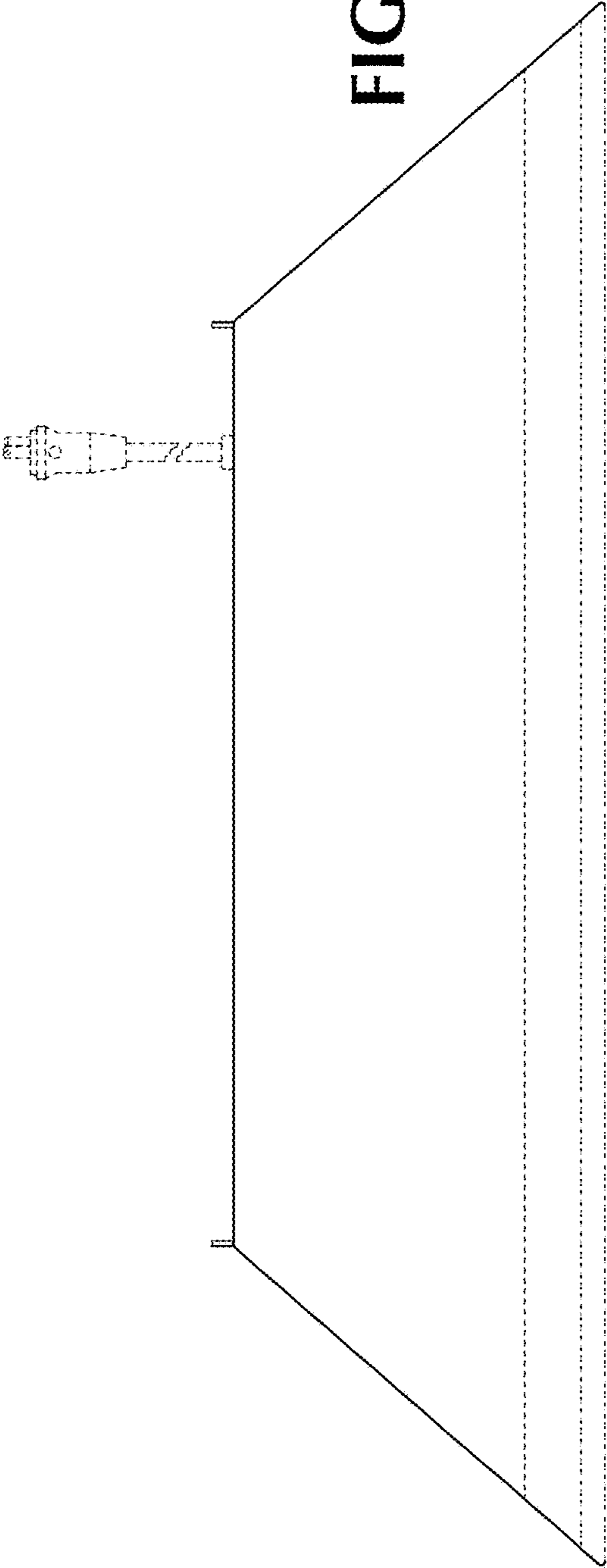


FIG. 4



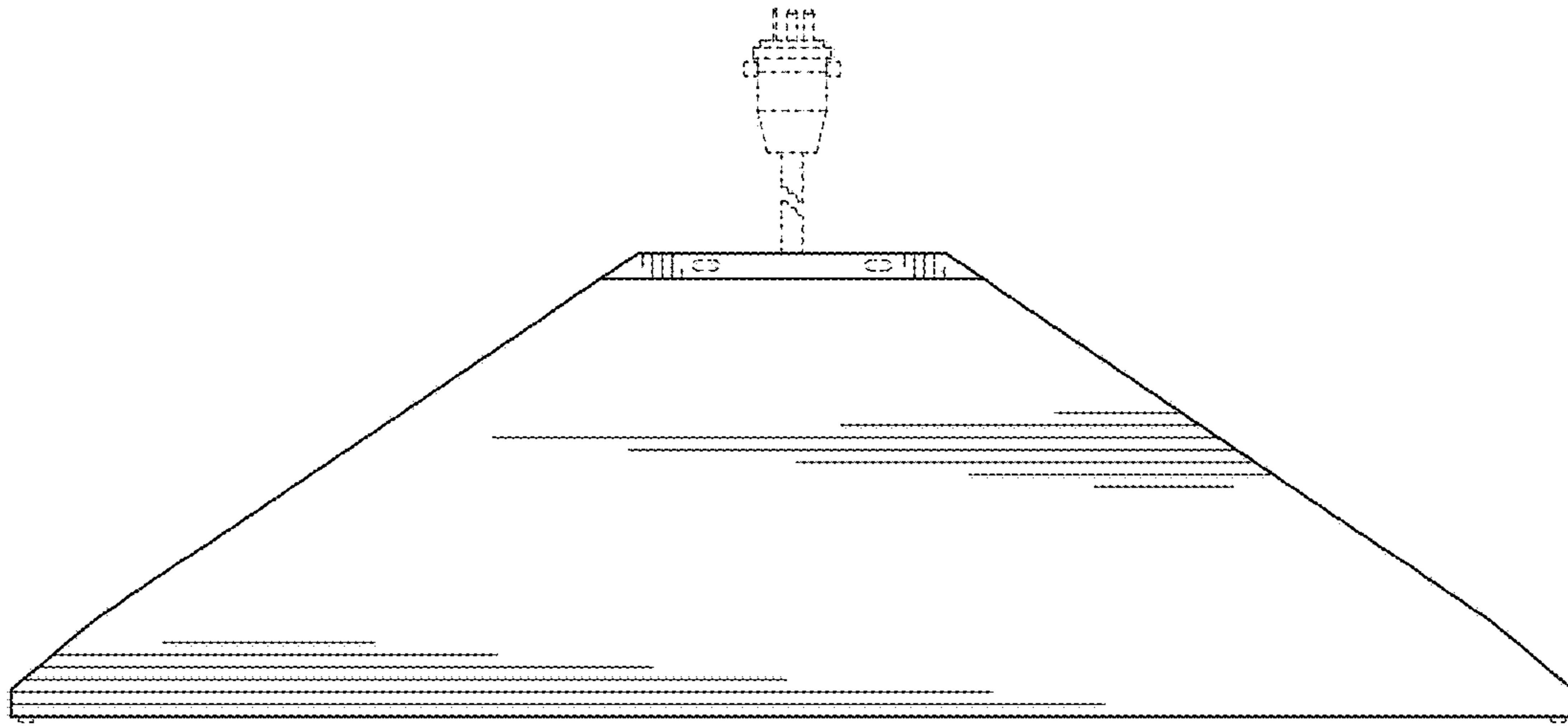


FIG. 5

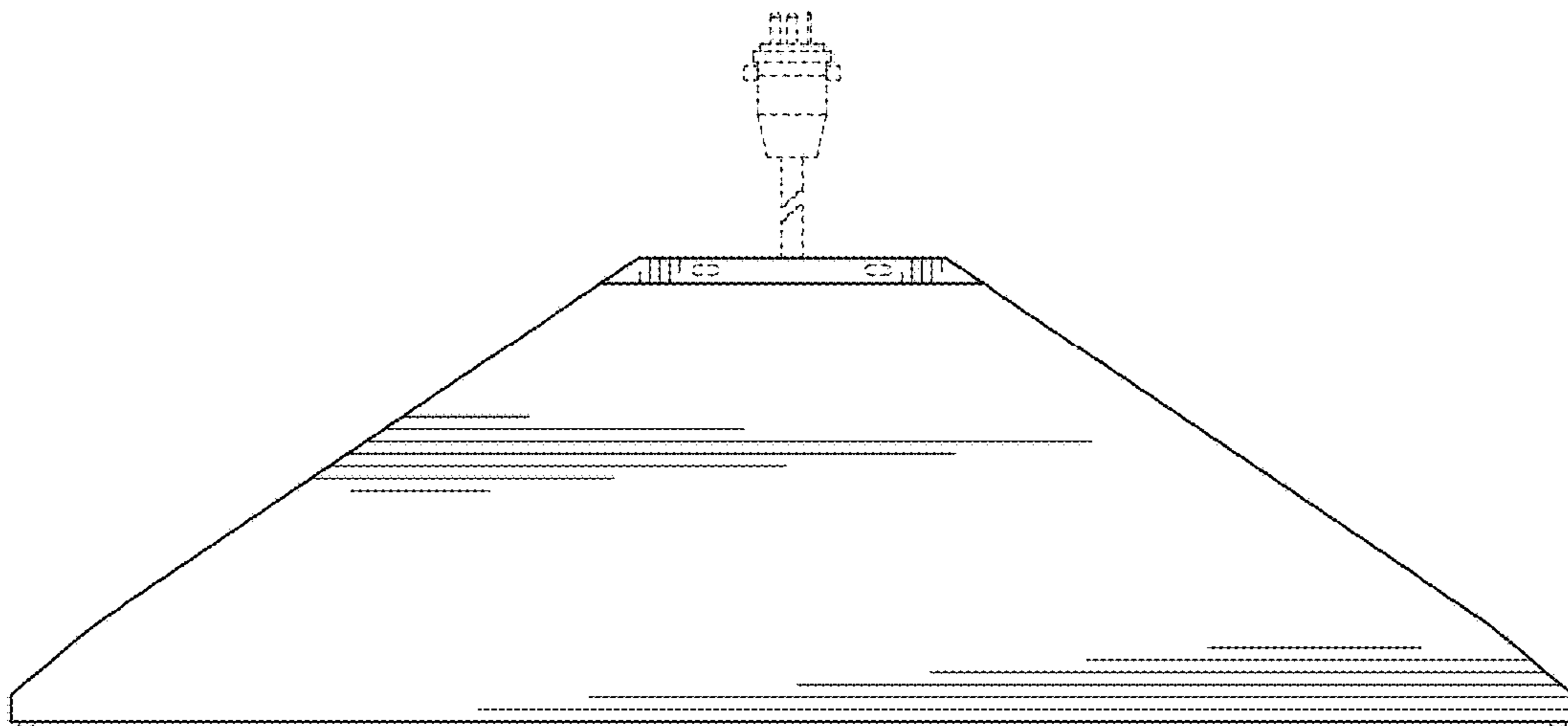


FIG. 6

FIG. 7

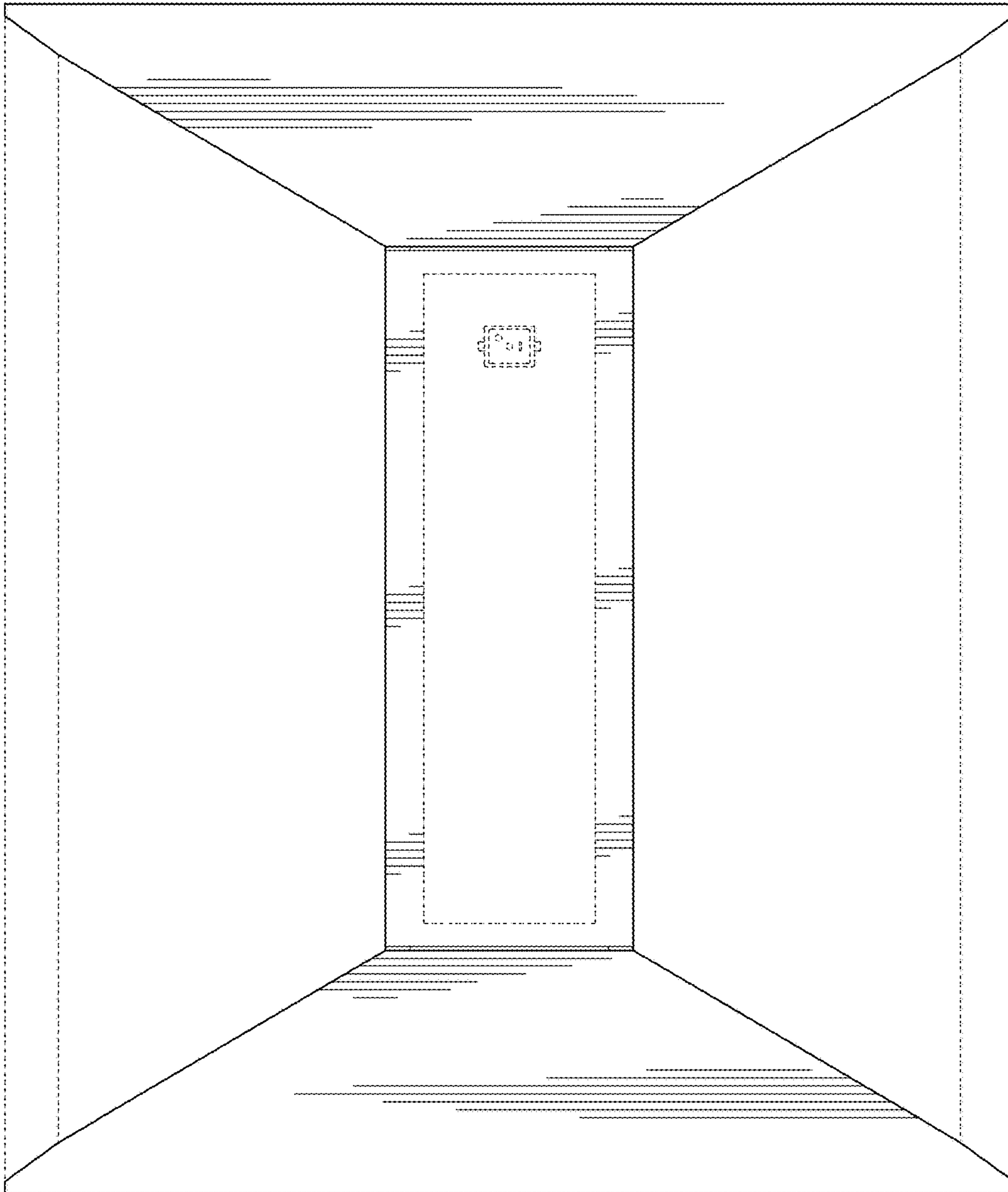


FIG. 8

