



US00D792634S

(12) **United States Design Patent**
Li

(10) **Patent No.:** **US D792,634 S**

(45) **Date of Patent:** **** Jul. 18, 2017**

(54) **ELECTRONIC CANDLE HAVING A TOP SCENT CONTAINER AND AN ELECTRIC CORD**

(71) Applicant: **Xiaofeng Li**, Shenzhen (CN)

(72) Inventor: **Xiaofeng Li**, Shenzhen (CN)

(**) Term: **15 Years**

(21) Appl. No.: **29/570,562**

(22) Filed: **Jul. 8, 2016**

(51) **LOC (10) Cl.** **26-03**

(52) **U.S. Cl.**
USPC **D26/96**

(58) **Field of Classification Search**
USPC D26/4, 5, 6, 7, 9, 96
CPC F21S 6/00; F21S 6/001; F21S 10/04; F21S 10/10; F21S 10/043; F21S 8/08; F21S 48/115; F21V 21/00; F21V 35/00; F21W 2121/00; C11C 5/002; C11C 5/004
See application file for complete search history.

(56) **References Cited**

U.S. PATENT DOCUMENTS

D406,379 S *	3/1999	Andrews	D26/96
D488,582 S *	4/2004	Connelly	D26/96
D569,541 S *	5/2008	Shiu	D26/96
D706,963 S *	6/2014	Thompson	D26/96
D735,399 S *	7/2015	Liu	D26/96

D748,843 S *	2/2016	Thompson	D26/96
D757,336 S *	5/2016	Li	D26/96
D757,337 S *	5/2016	Li	D26/96
D759,858 S *	6/2016	Li	D26/2
D759,879 S *	6/2016	Li	D26/96
D760,424 S *	6/2016	Li	D26/7

* cited by examiner

Primary Examiner — Brian N Vinson

(74) *Attorney, Agent, or Firm* — Perkins Coie LLP

(57) **CLAIM**

The ornamental design for an electronic candle having a top scent container and an electric cord, as shown and described.

DESCRIPTION

FIG. 1 is an isometric view of the top, front and right side of the electronic candle having a top scent container and an electric cord;

FIG. 2 is an isometric view of the bottom, back and left side of the electronic candle of FIG. 1;

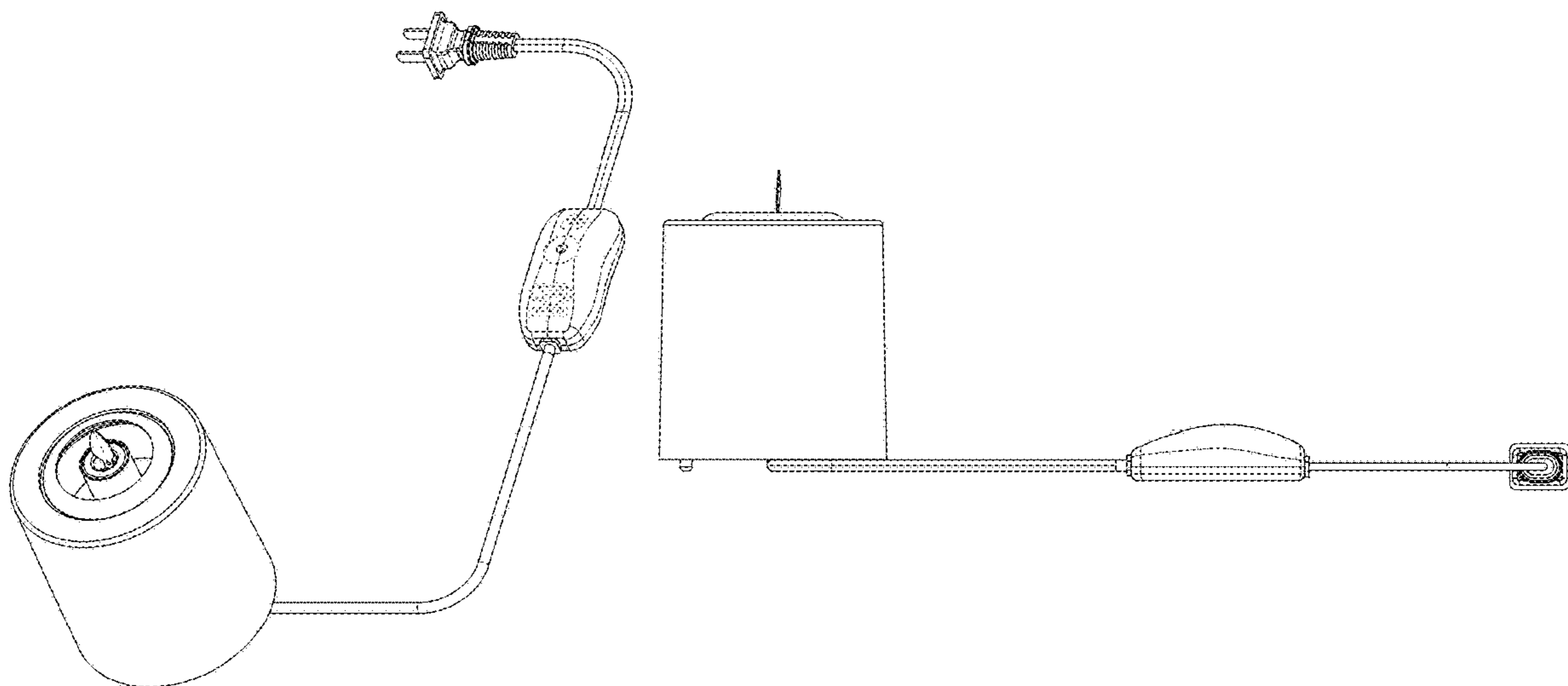
FIG. 3 is a bottom view of the electronic candle of FIG. 1;

FIG. 4 is a top view of the electronic candle of FIG. 1; and,

FIG. 5 is a right side view of the electronic candle of FIG. 1.

The broken-line disclosure represents portions of the electronic candle which form no part of the claimed design.

1 Claim, 5 Drawing Sheets



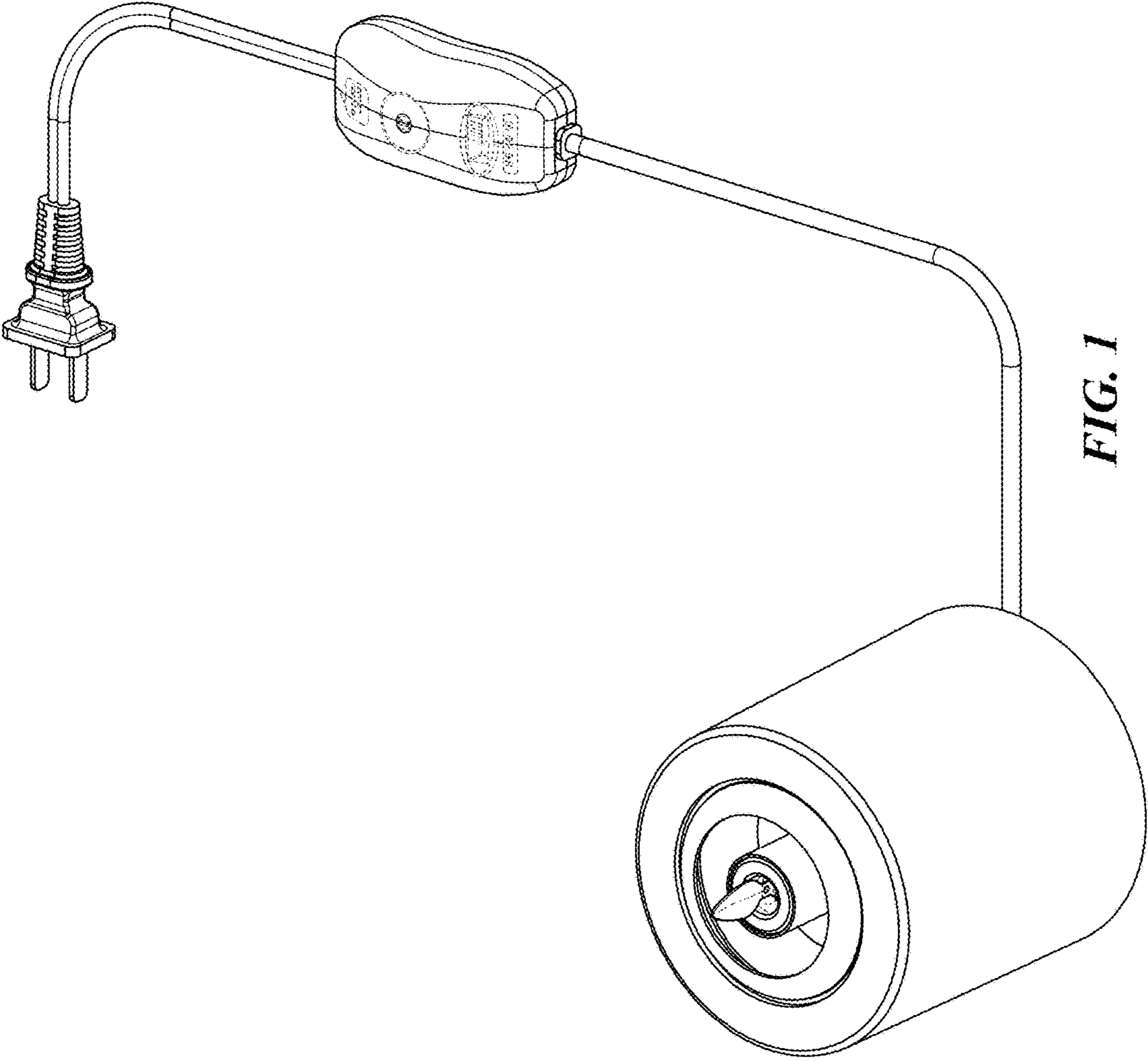


FIG. 1

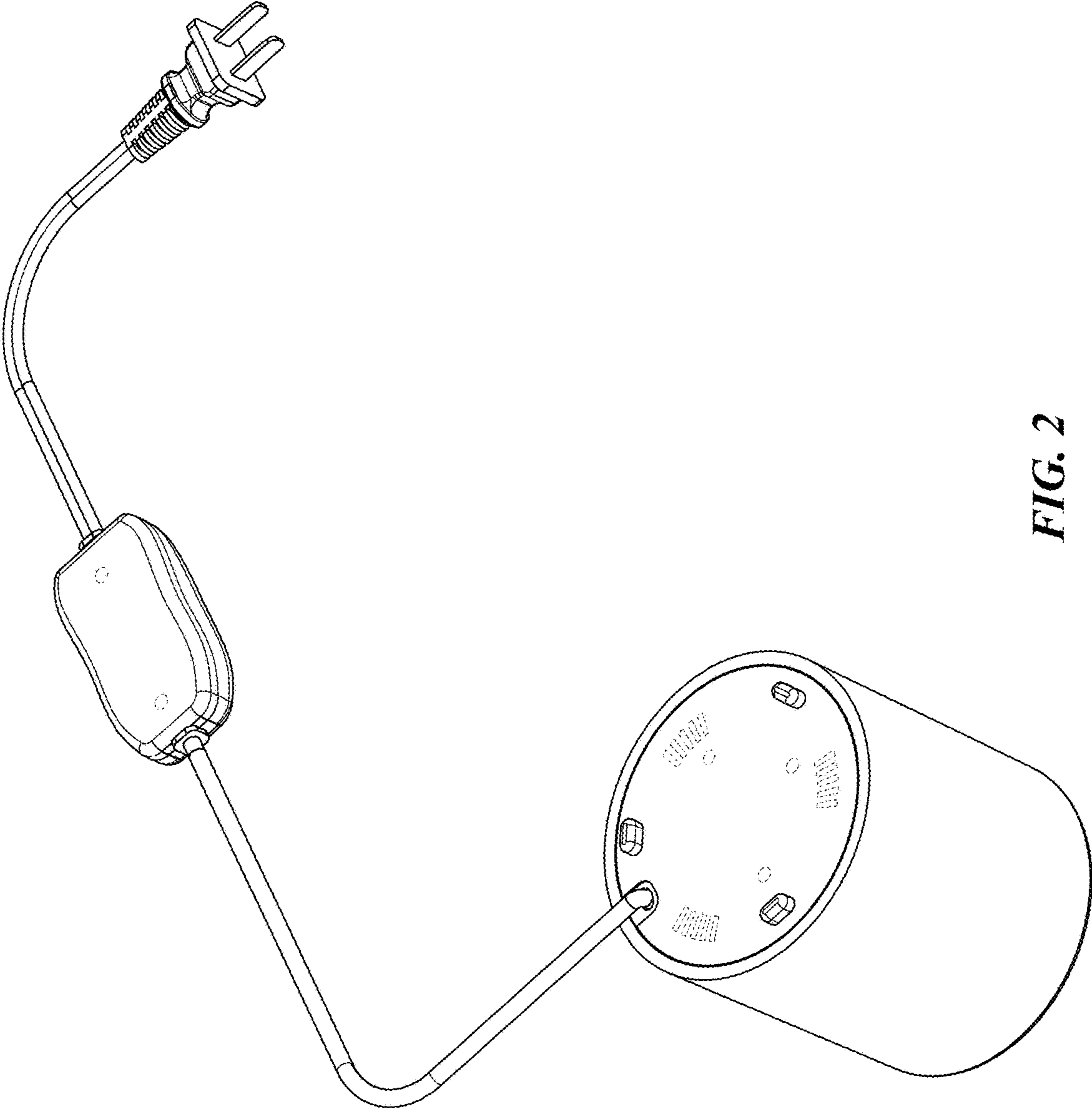


FIG. 2

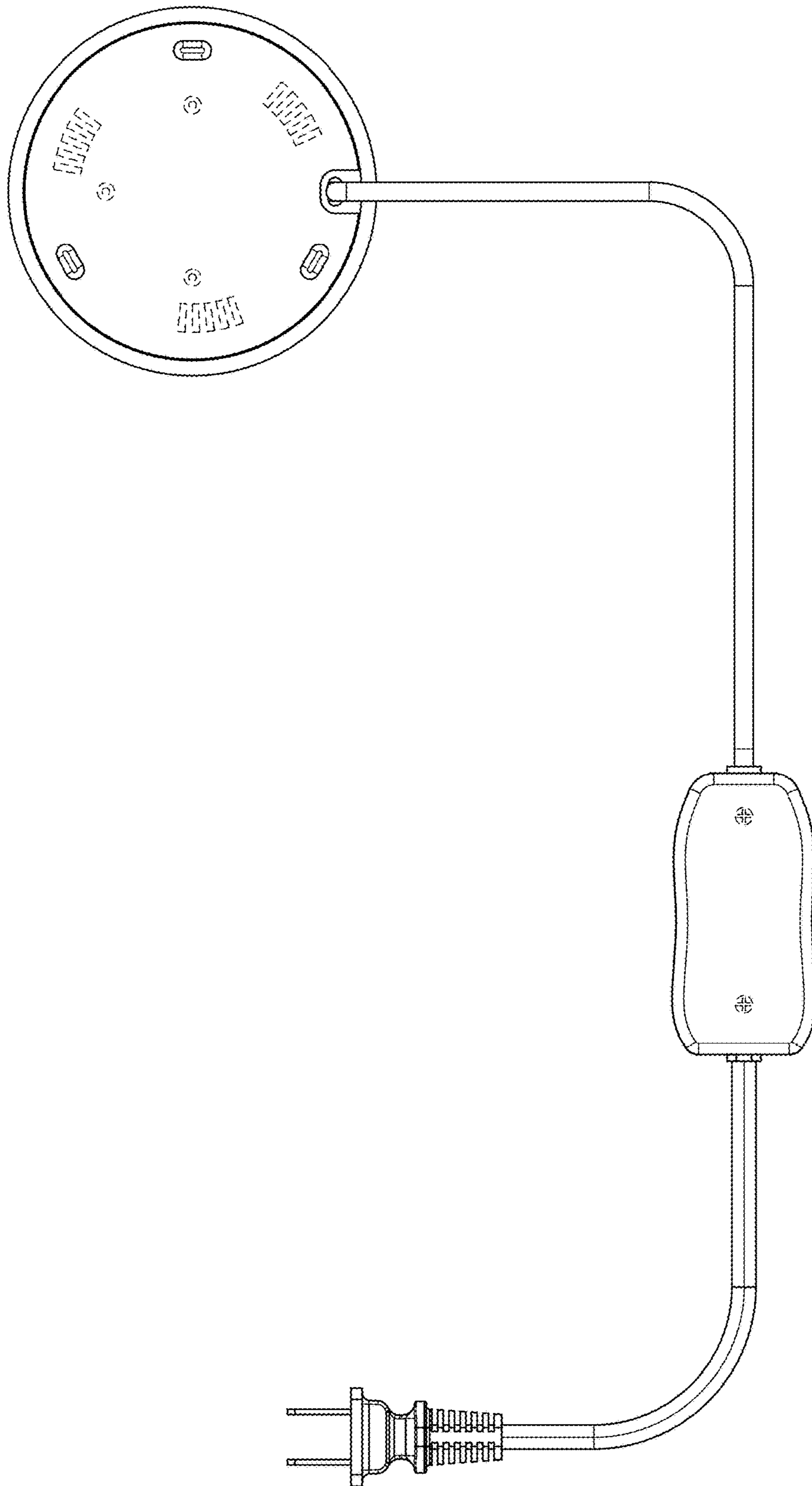


FIG. 3

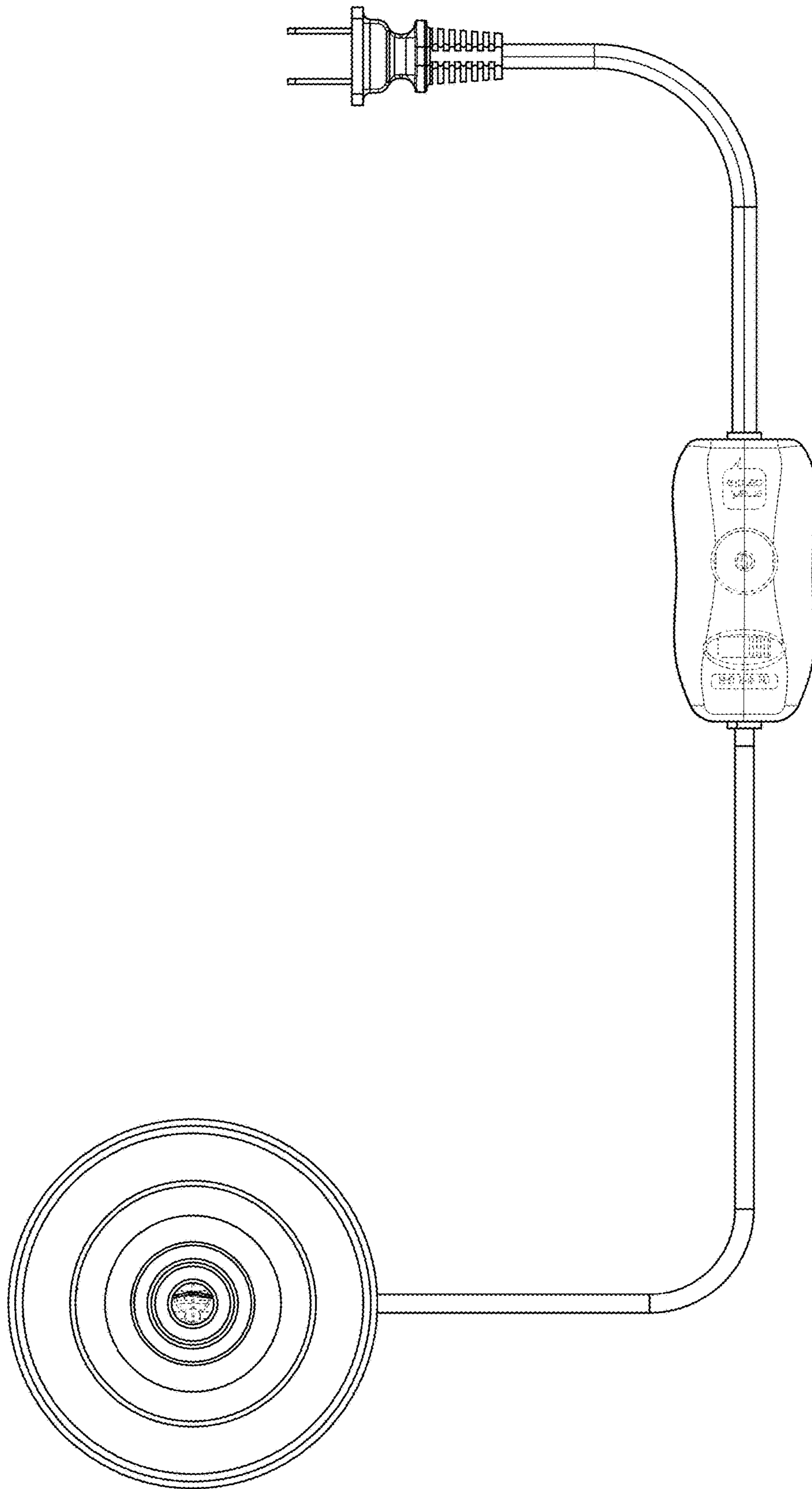


FIG. 4

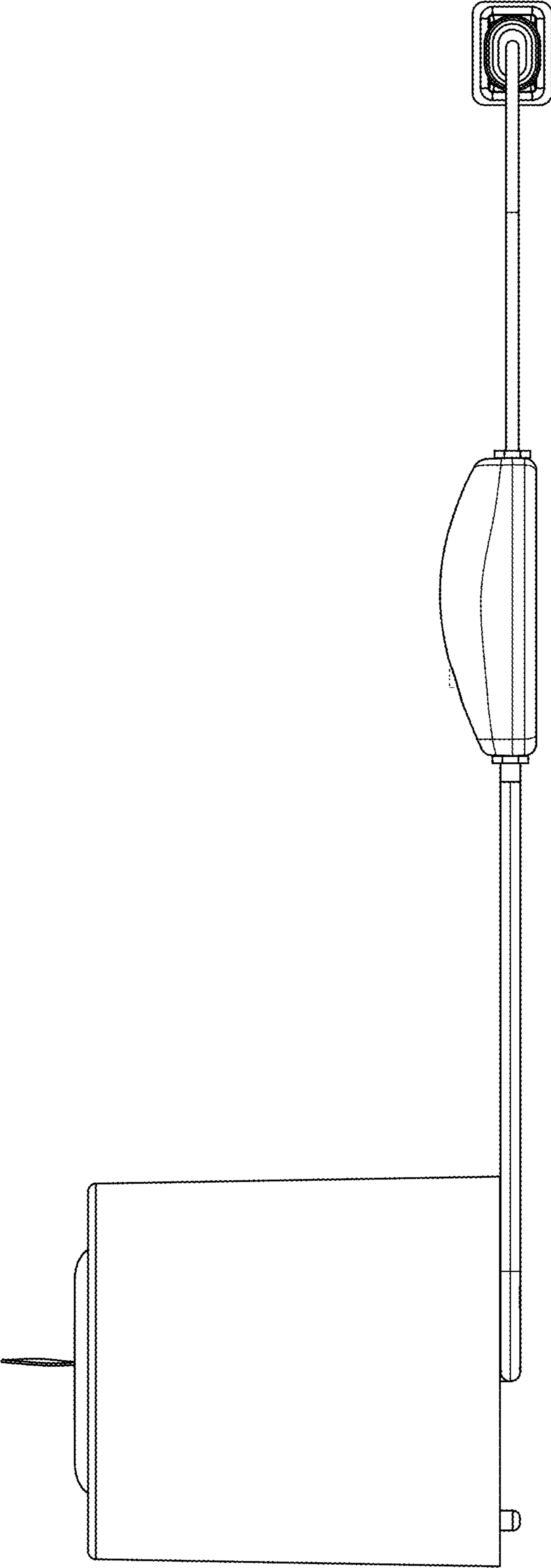


FIG. 5