

US00D792629S

(12) **United States Design Patent**  
**Tang et al.**

(10) **Patent No.:** **US D792,629 S**  
(45) **Date of Patent:** **\*\* Jul. 18, 2017**

- (54) **CEILING LAMP**
- (71) Applicants: **Zhisheng Tang**, Zhongshan (CN);  
**Guisheng Tang**, Zhongshan (CN)
- (72) Inventors: **Zhisheng Tang**, Zhongshan (CN);  
**Guisheng Tang**, Zhongshan (CN)
- (\*\*) Term: **15 Years**
- (21) Appl. No.: **29/558,359**
- (22) Filed: **Mar. 16, 2016**
- (51) **LOC (10) Cl.** ..... **26-03**
- (52) **U.S. Cl.**  
USPC ..... **D26/84; D26/88**
- (58) **Field of Classification Search**  
USPC ..... D26/76, 81, 83, 84, 86, 87, 88, 90, 91,  
D26/118  
CPC .... F21S 8/04; F21S 8/043; F21S 8/046; F21S  
8/06; F21S 8/061; F21S 8/063; F21S  
8/065  
See application file for complete search history.

- 3,736,418 A \* 5/1973 Havlova ..... F21S 8/04  
362/354
- D237,003 S \* 9/1975 Jahandideh ..... 52/DIG. 10
- 4,009,309 A \* 2/1977 Holt ..... B44F 1/063  
362/361
- D261,561 S \* 10/1981 Letourneau ..... D26/131
- D311,773 S \* 10/1990 Freeman ..... D23/411
- D615,693 S \* 5/2010 Thun ..... D26/88
- D638,570 S \* 5/2011 Verelst ..... D26/90
- D643,966 S \* 8/2011 Postelmans ..... D26/61
- D668,376 S \* 10/2012 Urquiola ..... D26/118
- D697,662 S \* 1/2014 Patterson ..... D26/118
- D719,292 S \* 12/2014 Voss ..... D26/118
- D762,910 S \* 8/2016 Park ..... D26/88

\* cited by examiner

*Primary Examiner* — Clare E Hefflin  
(74) *Attorney, Agent, or Firm* — Matthias Scholl, PC;  
Matthias Scholl

(57) **CLAIM**

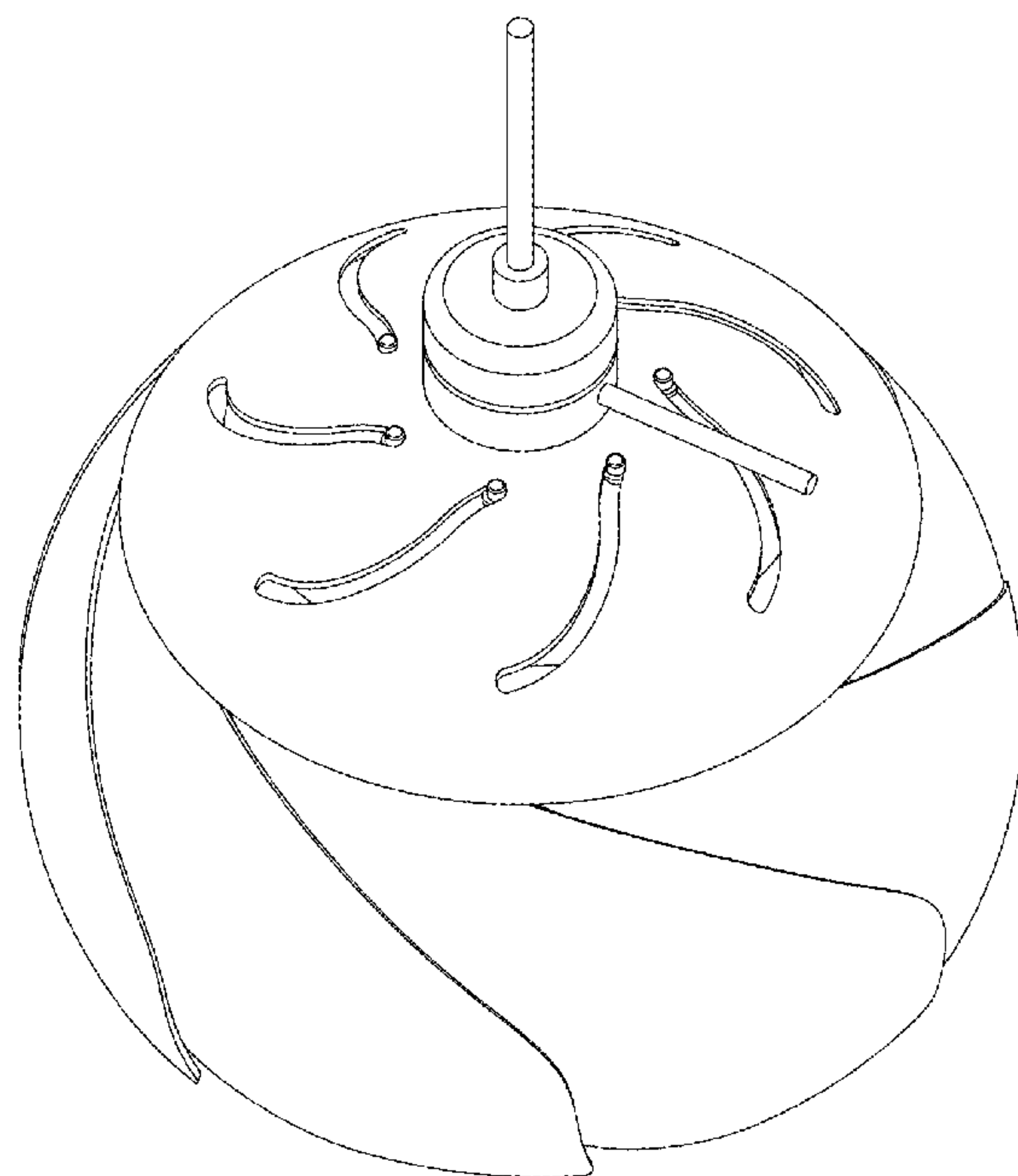
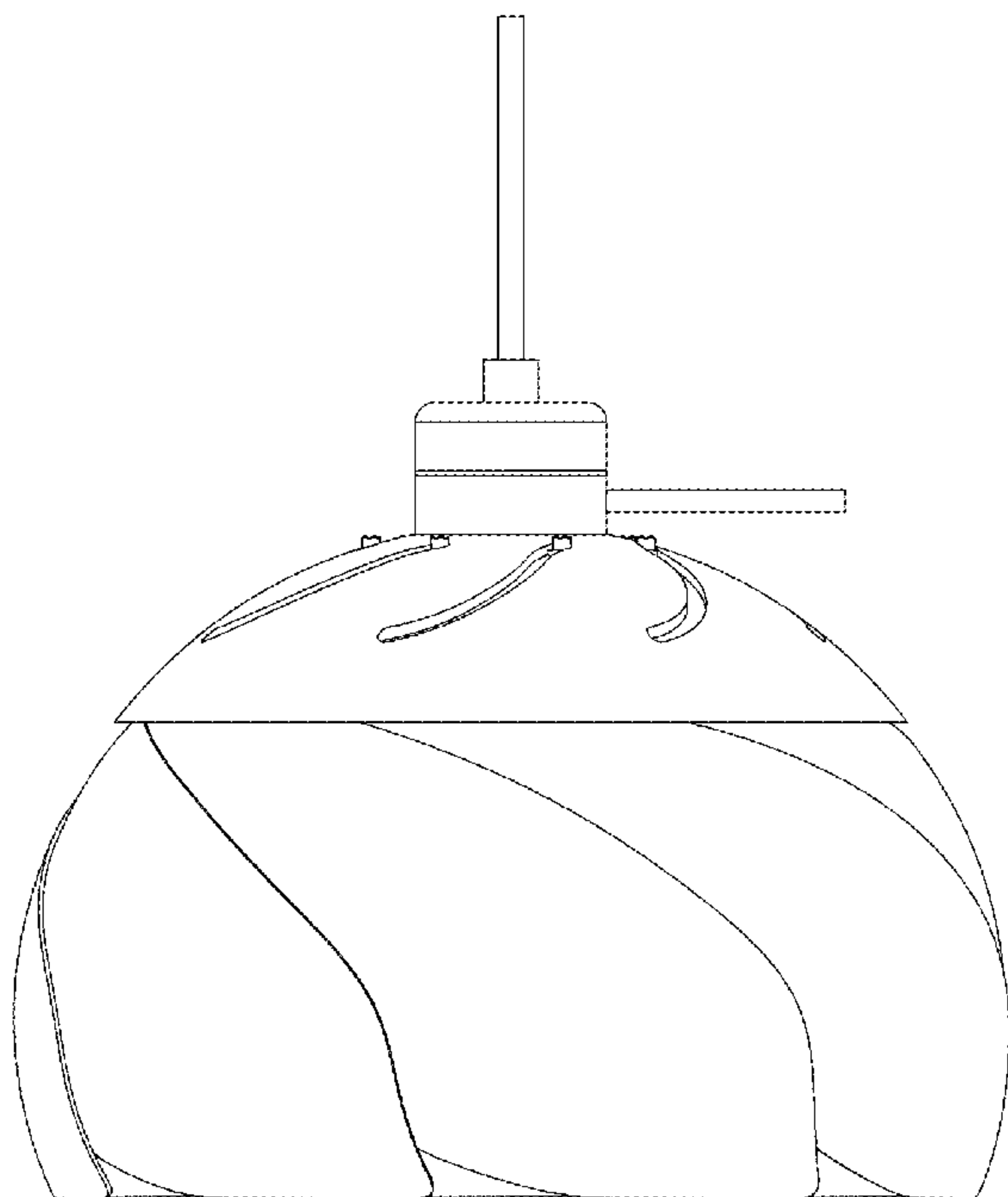
The ornamental design for a ceiling lamp, as shown and described.

**DESCRIPTION**

FIG. 1 is a front elevational view of a ceiling lamp;  
FIG. 2 is a rear elevational view thereof;  
FIG. 3 is a left side elevational view thereof;  
FIG. 4 is a right side elevational view thereof;  
FIG. 5 is a top plan view thereof;  
FIG. 6 is a bottom plan view thereof; and,  
FIG. 7 is a perspective thereof.

**1 Claim, 7 Drawing Sheets**

- (56) **References Cited**  
U.S. PATENT DOCUMENTS  
452,701 A \* 5/1891 Gartner et al. .... F21V 17/02  
362/283  
D43,646 S \* 2/1913 Ryan ..... D26/88  
D49,593 S \* 9/1916 Bayley ..... D26/88  
D51,022 S \* 7/1917 Mohr ..... D26/90  
D89,994 S \* 5/1933 O'Neil ..... D26/128



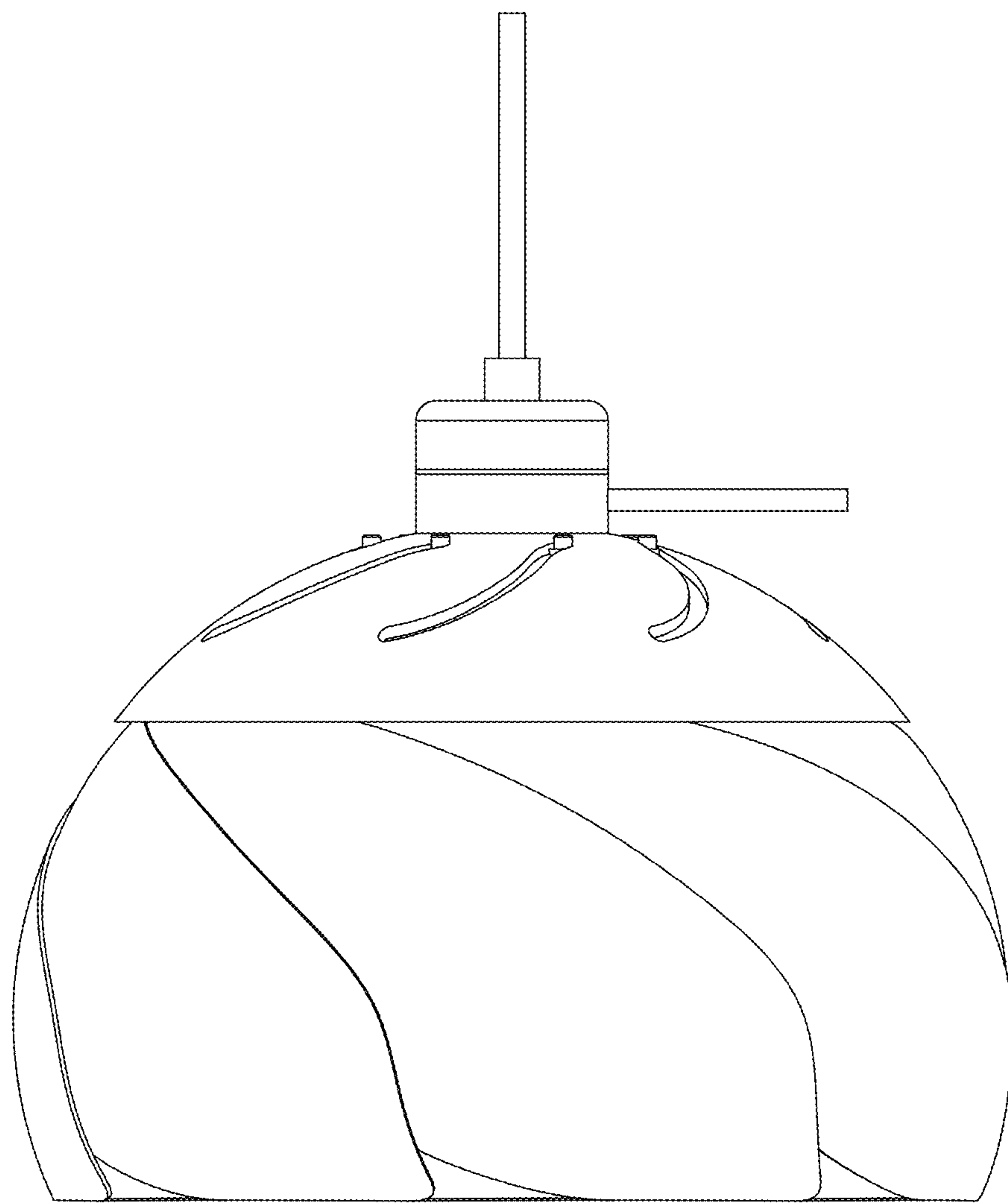


FIG. 1

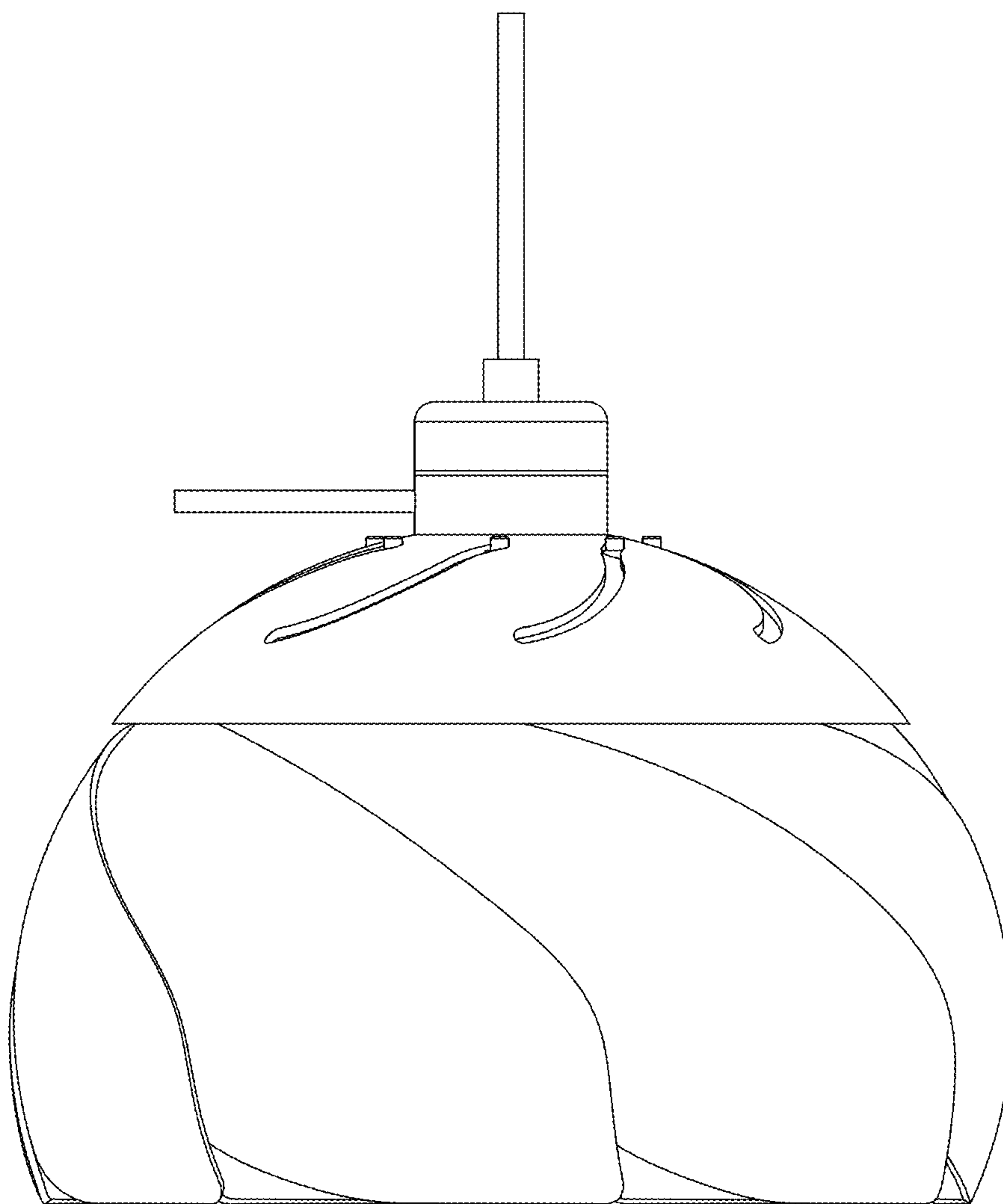


FIG. 2

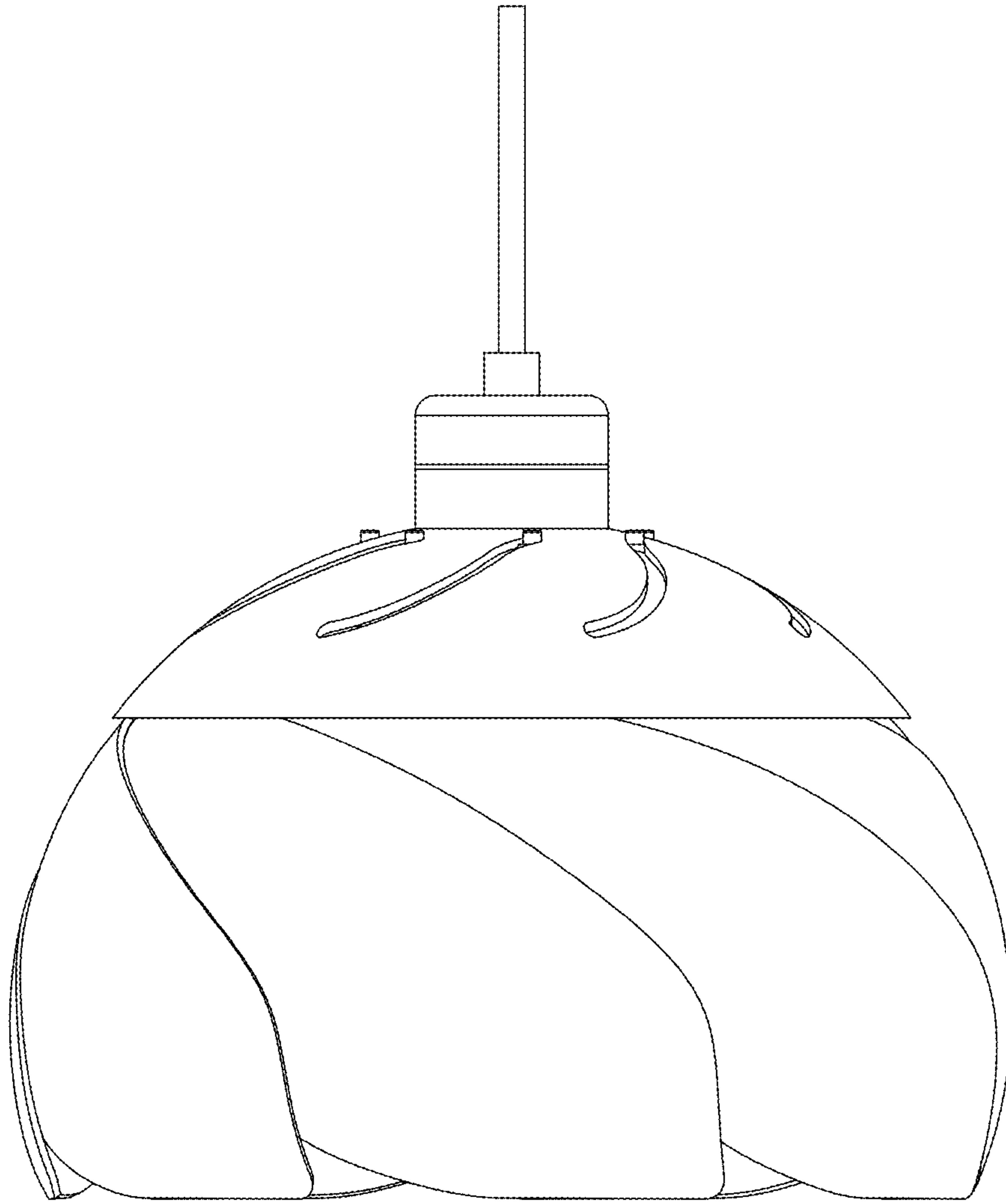


FIG. 3

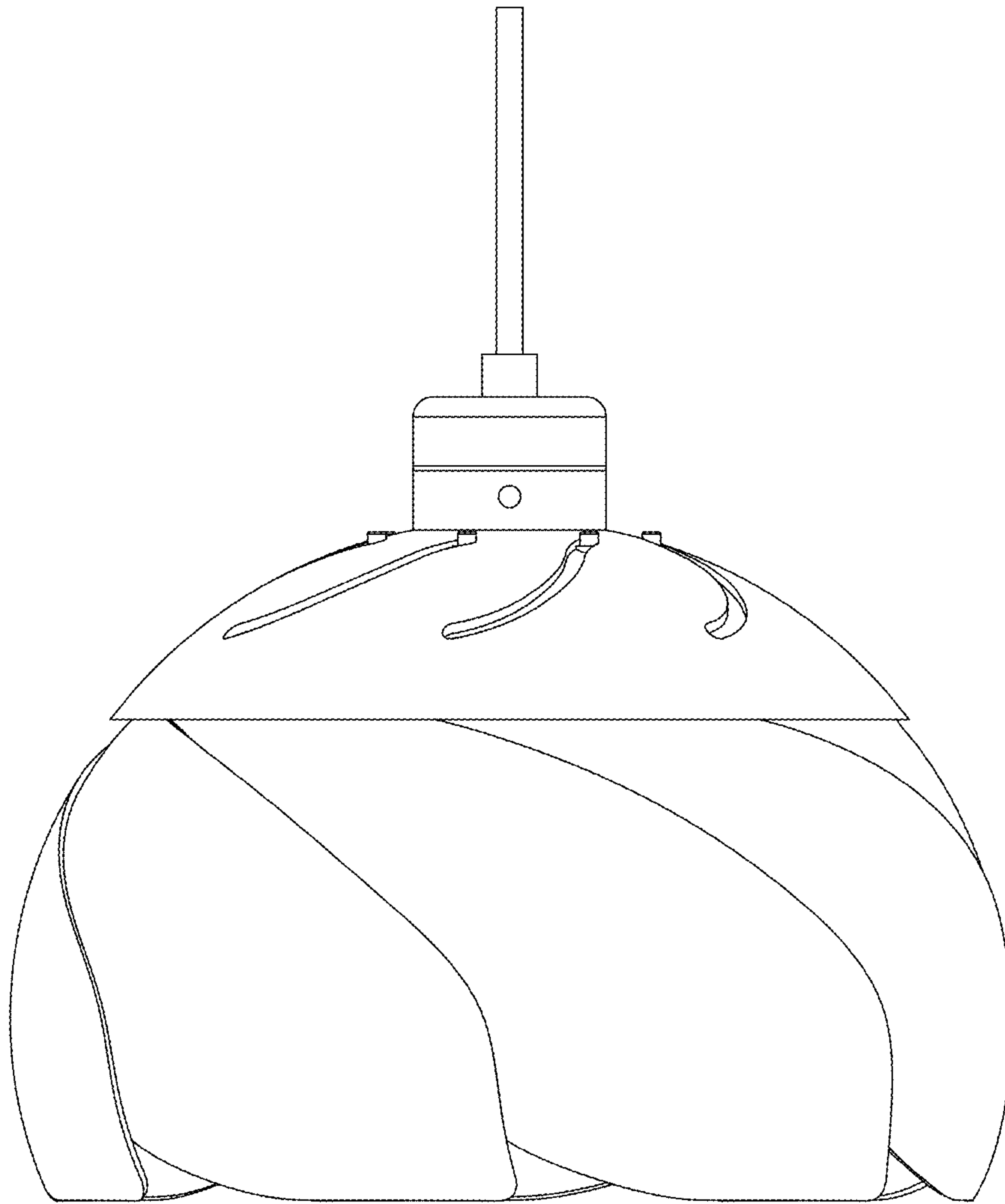


FIG. 4

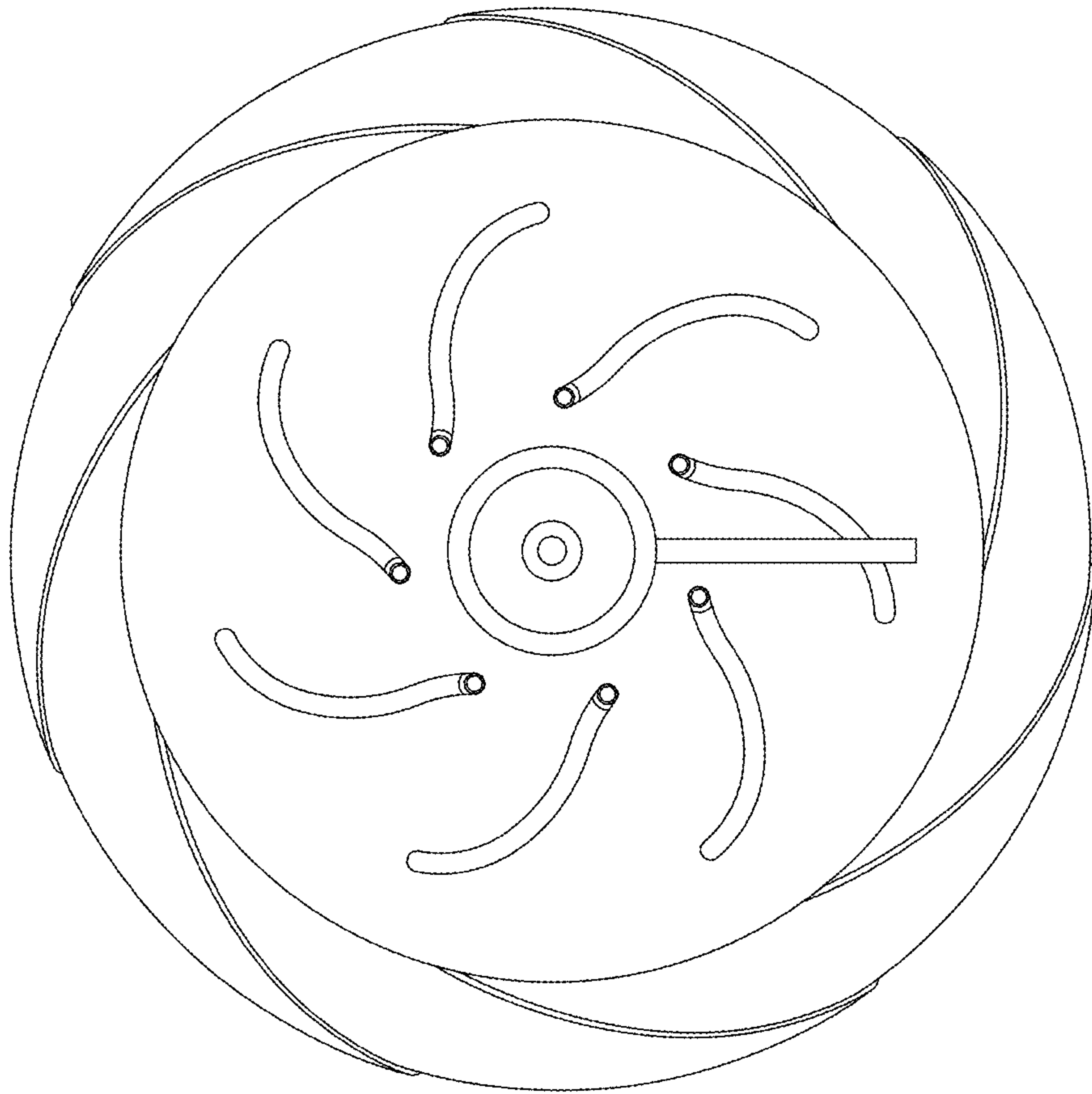


FIG. 5

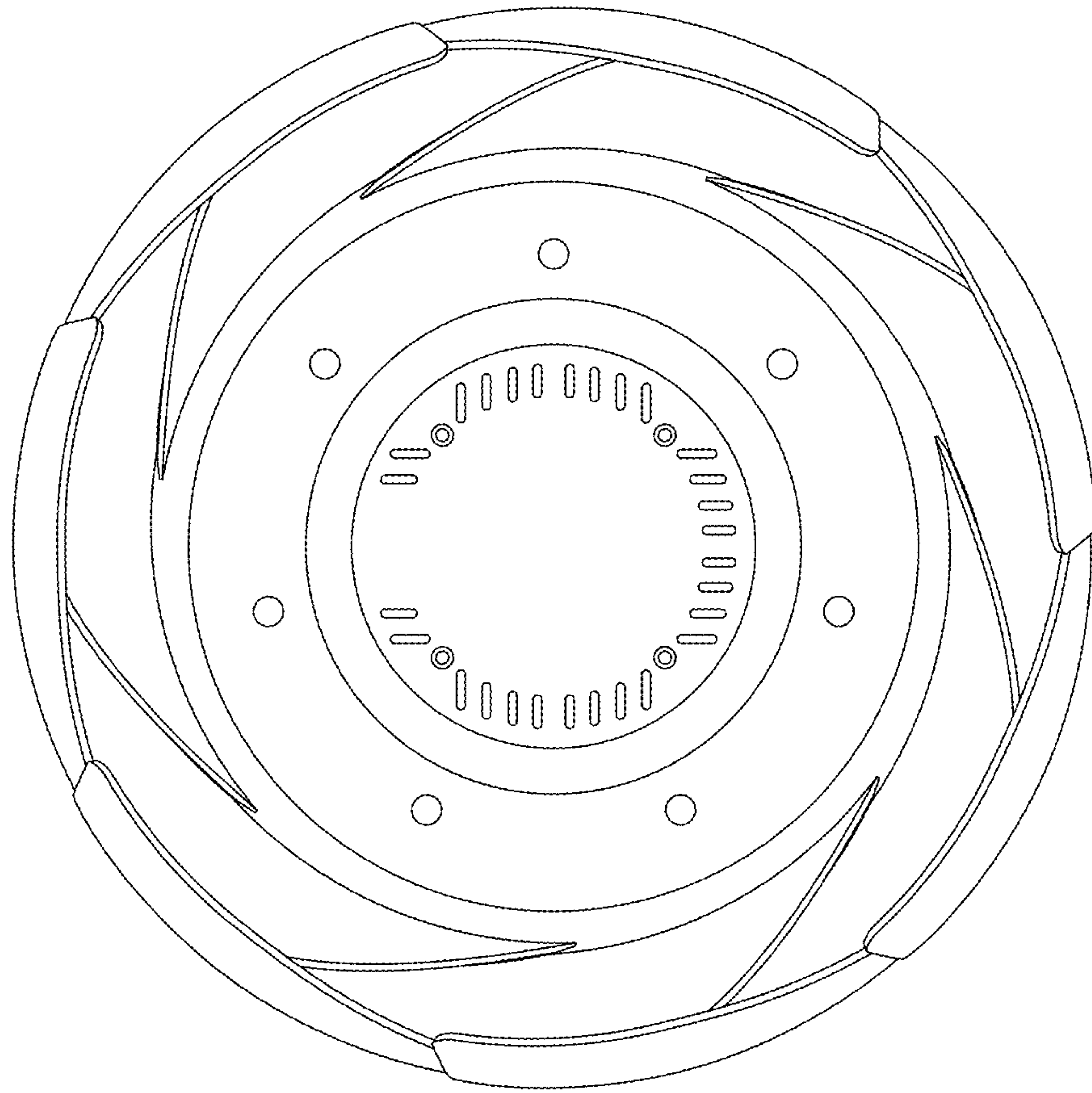


FIG. 6



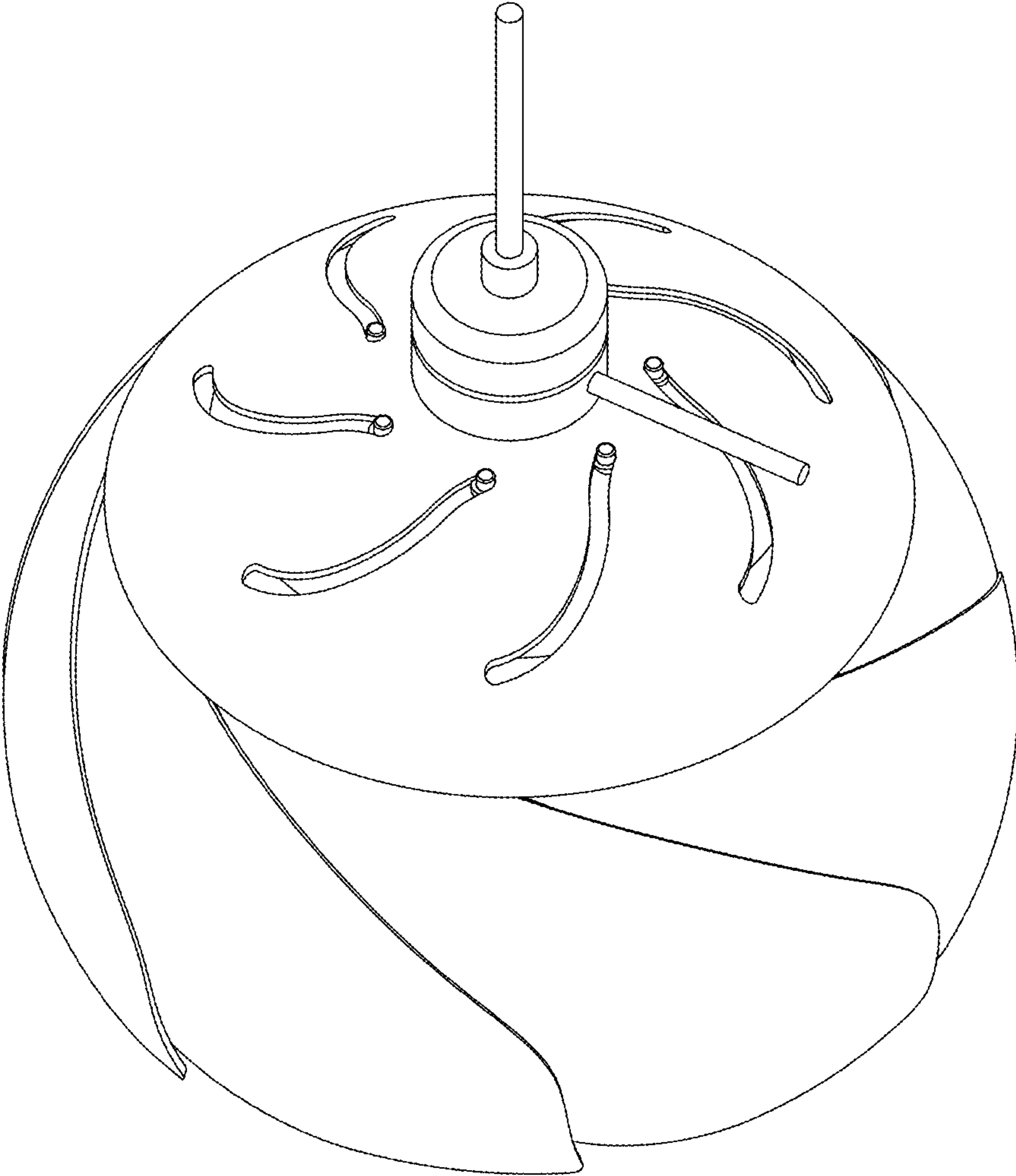


FIG. 7