



US00D792623S

(12) **United States Design Patent**
Cheng

(10) **Patent No.:** **US D792,623 S**

(45) **Date of Patent:** **** Jul. 18, 2017**

(54) **LIGHT**

(71) Applicant: **Moon Sport Ltd.**, Yuen Long, N.T.
(HK)

(72) Inventor: **Wui Pan Cheng**, Yuen Long (HK)

(73) Assignee: **Moon Sport Ltd.** (HK)

(**) Term: **15 Years**

(21) Appl. No.: **29/568,170**

(22) Filed: **Jun. 15, 2016**

(30) **Foreign Application Priority Data**

May 18, 2016 (HK) 1600946.4M003

(51) **LOC (10) Cl.** **26-07**

(52) **U.S. Cl.**
USPC **D26/28**

(58) **Field of Classification Search**

USPC D26/28-36; 362/459-468, 475-478,
362/485-487

CPC F21S 48/00; F21S 48/10; F21S 48/115;
F21S 48/225; F21S 48/1233; F21S
48/1266; F21S 48/1388; F21S 48/2268;
F21V 21/04

See application file for complete search history.

(56) **References Cited**

U.S. PATENT DOCUMENTS

D411,635 S * 6/1999 Phlipot D26/28
D674,125 S * 1/2013 Davies D26/28

D678,563 S * 3/2013 Liao D26/28
D745,718 S * 12/2015 Deyaf D26/28
D747,511 S * 1/2016 Van Arnam D26/28
D751,738 S * 3/2016 Rekow D26/28
D753,854 S * 4/2016 Wolff D26/28
D766,476 S * 9/2016 Liu D26/28
D770,653 S * 11/2016 Lai D26/28
D772,450 S * 11/2016 Ma D26/28
D772,451 S * 11/2016 Ma D26/28
D773,080 S * 11/2016 Liu D26/28
D776,847 S * 1/2017 Wolff D26/28

* cited by examiner

Primary Examiner — Angela J Lee

(74) *Attorney, Agent, or Firm* — Schmeiser, Olsen &
Watts, LLP

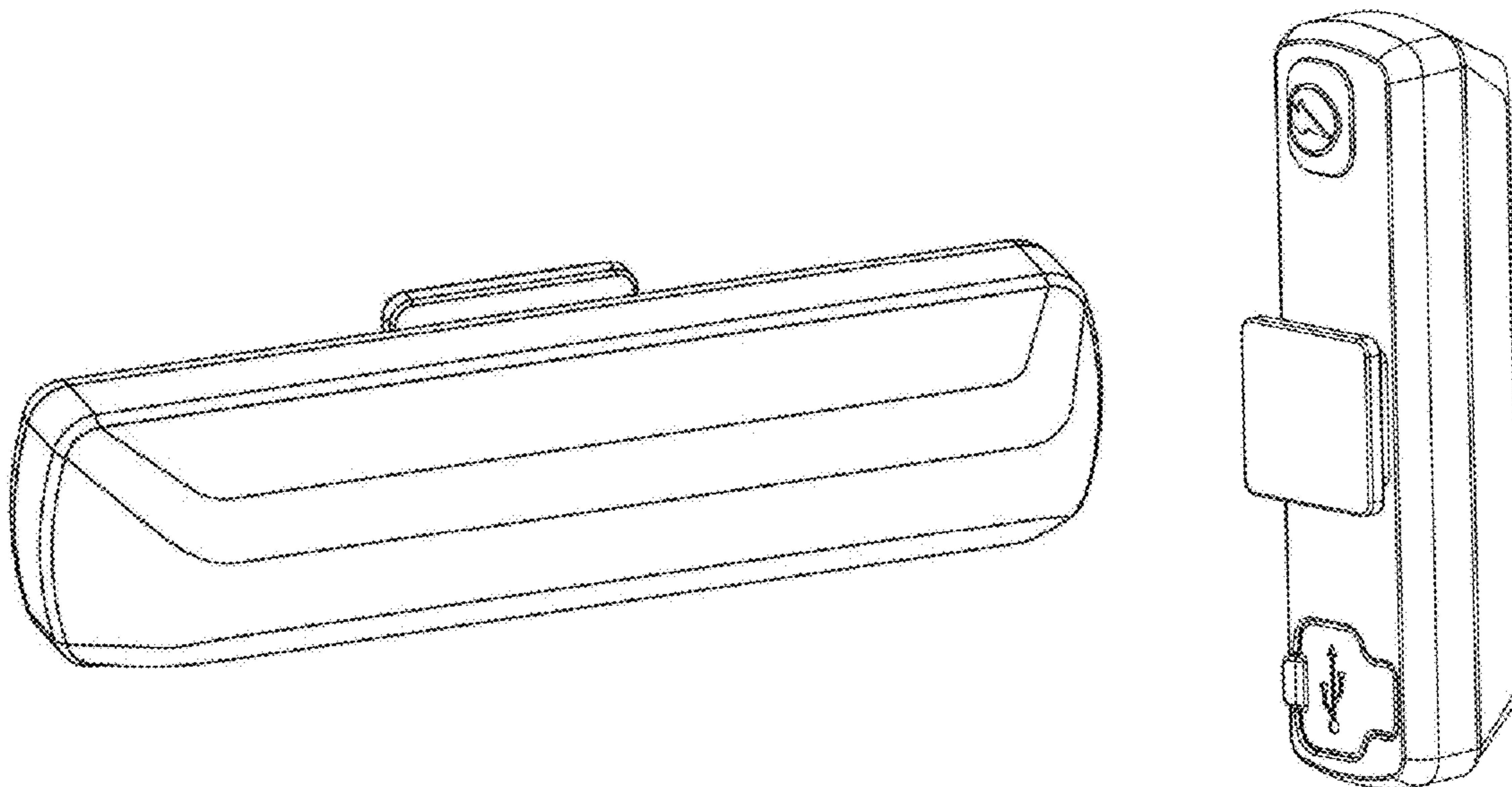
(57) **CLAIM**

The ornamental design for a light, as shown and described.

DESCRIPTION

FIG. 1 is a Front elevational view of a light showing my new design;
FIG. 2 is a Rear elevational view thereof;
FIG. 3 is a Top plan view thereof;
FIG. 4 is a Bottom plan view thereof;
FIG. 5 is a Left side view thereof;
FIG. 6 is a Right side view thereof;
FIG. 7 is a Perspective view from one side thereof; and,
FIG. 8 is a Perspective view from the other side thereof.

1 Claim, 8 Drawing Sheets



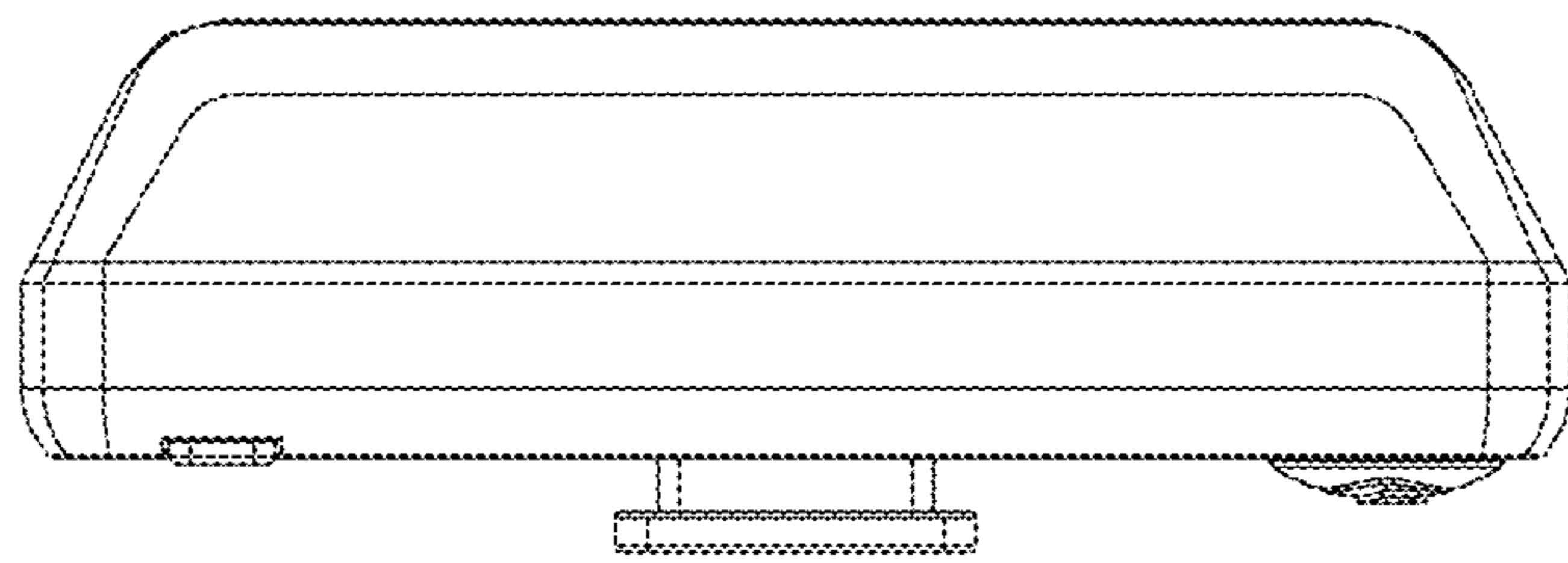


Figure 1

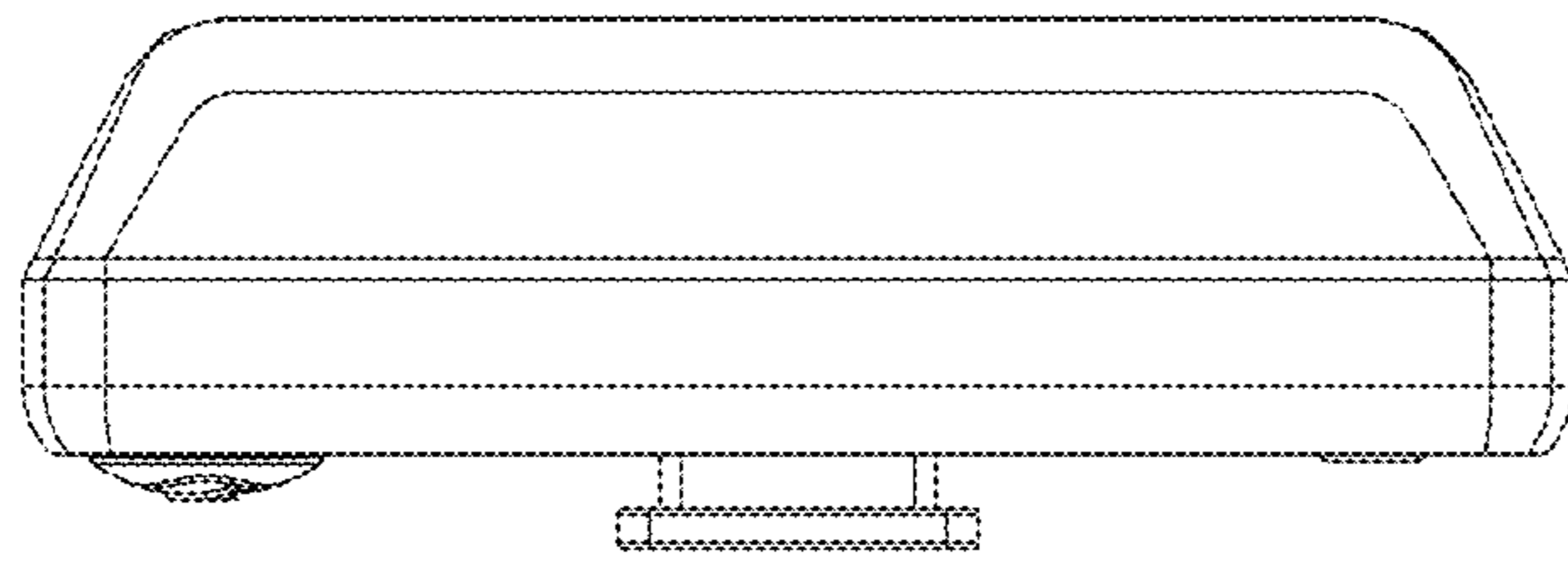


Figure 2

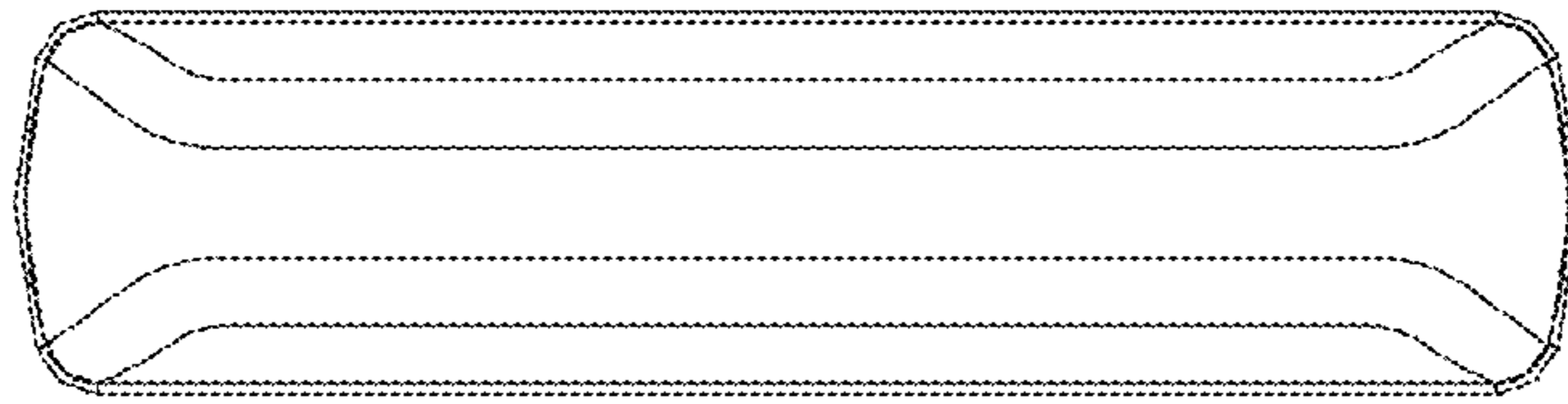


Figure 3

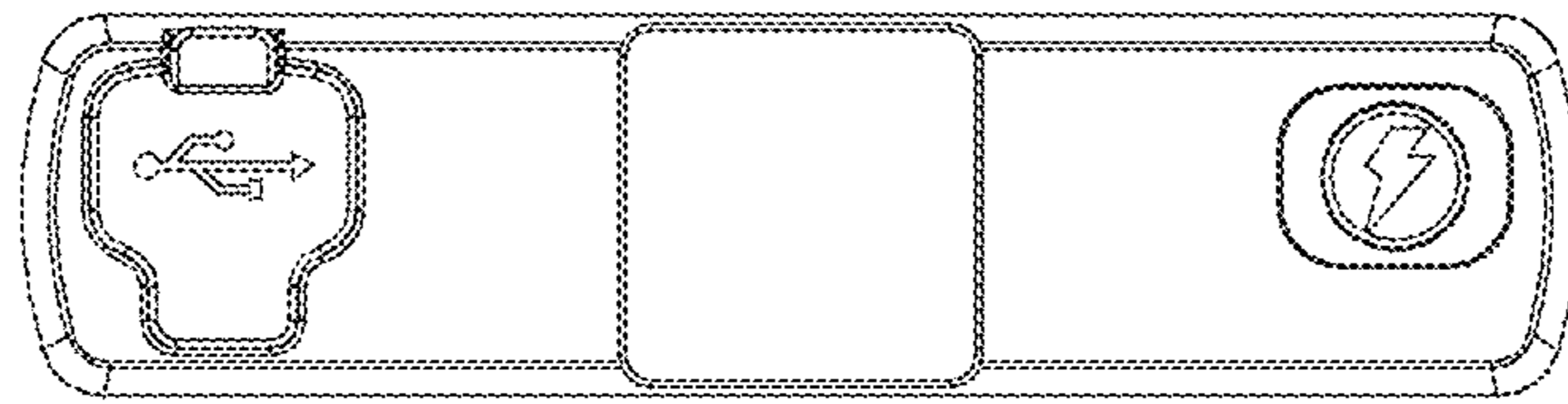


Figure 4

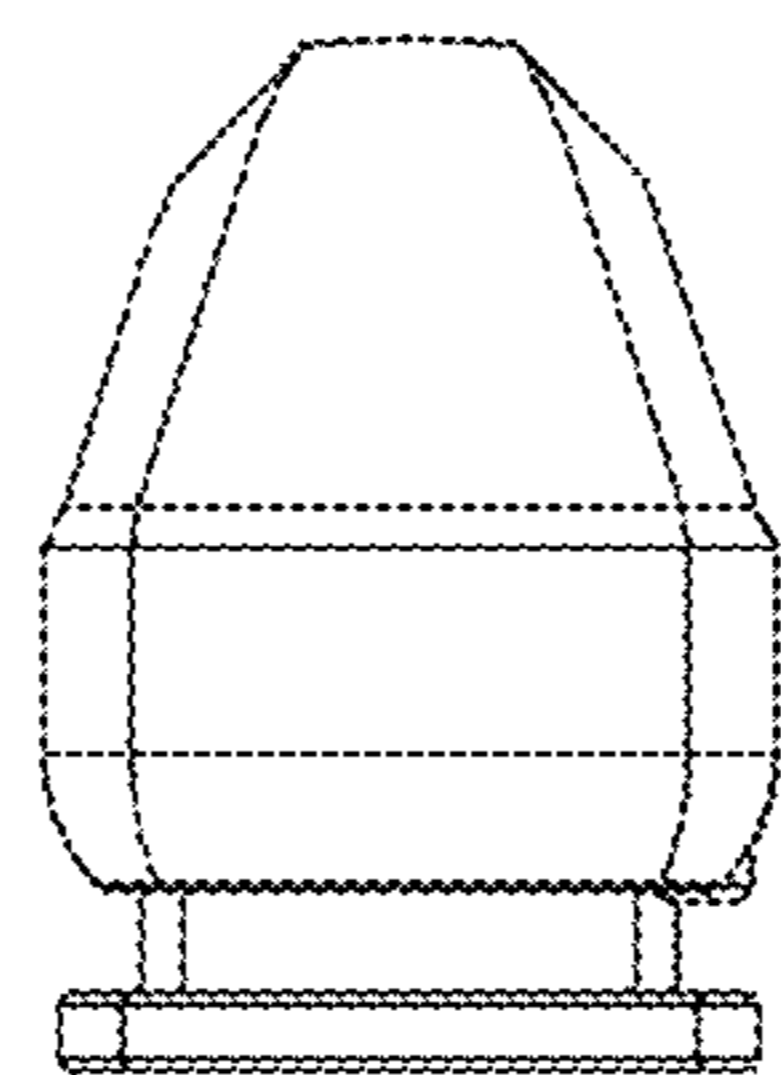


Figure 5

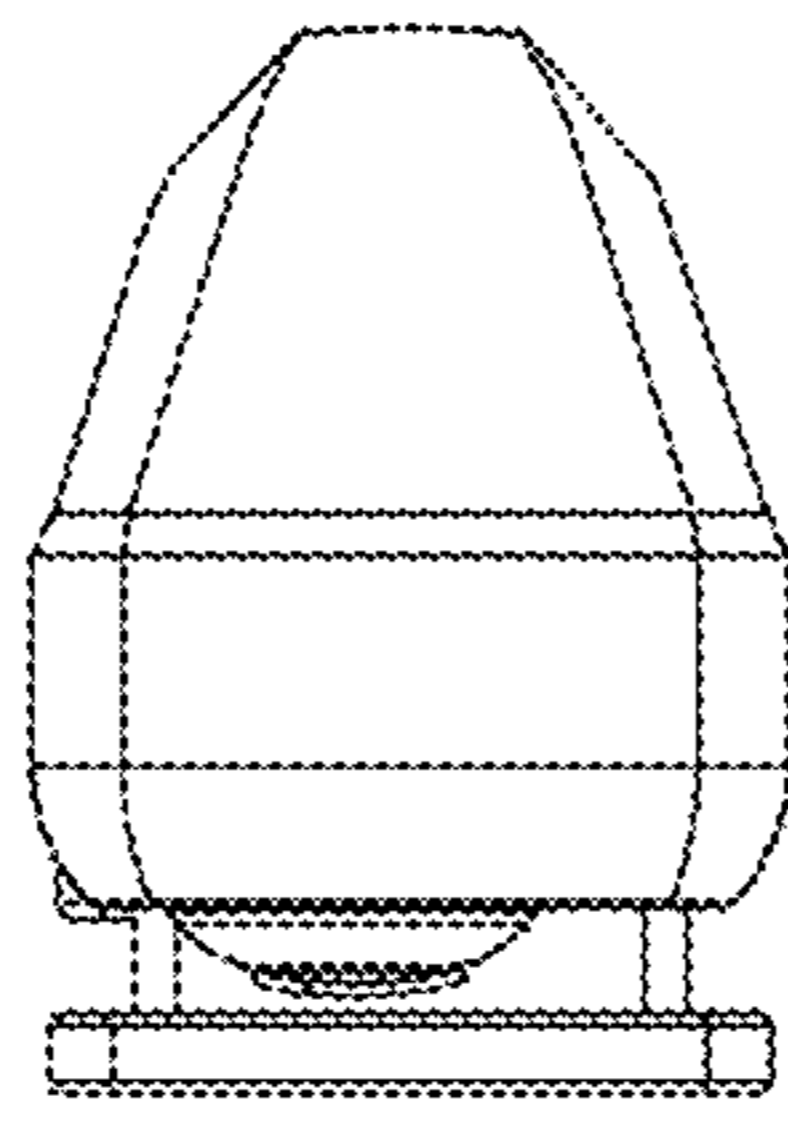


Figure 6

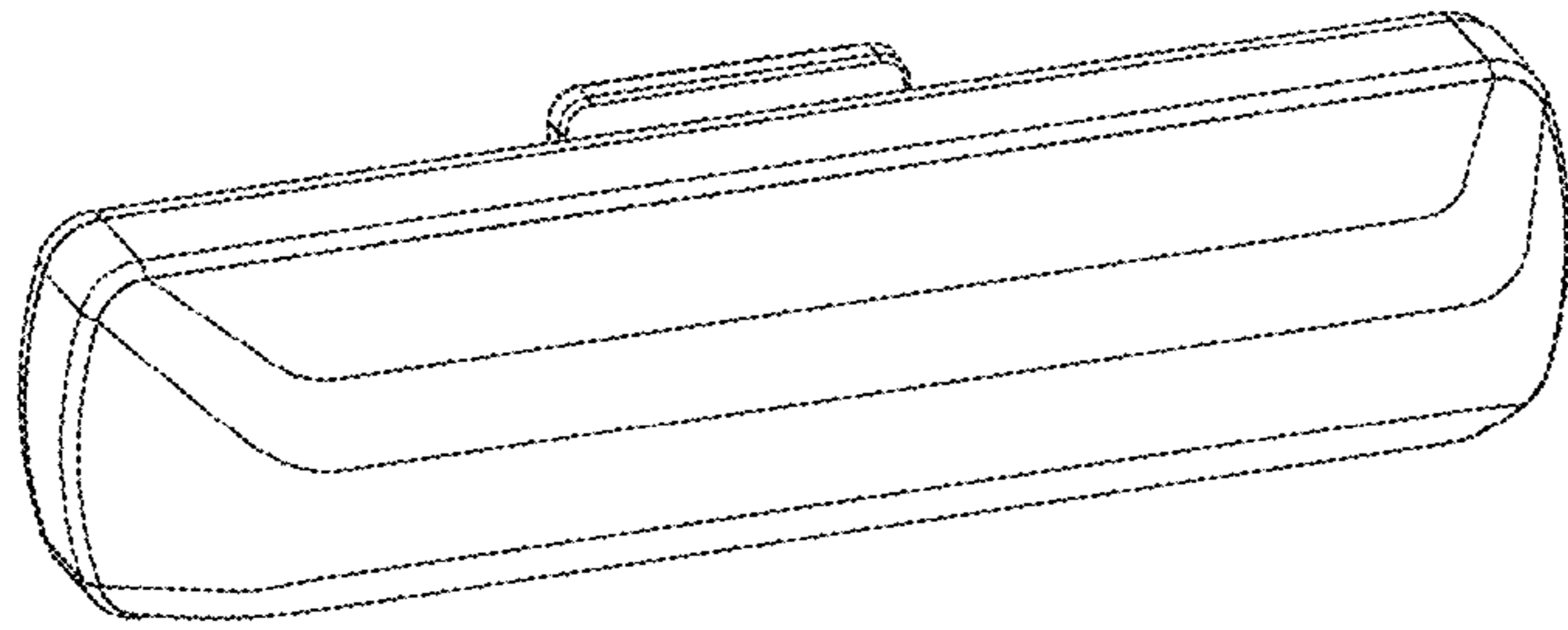


Figure 7

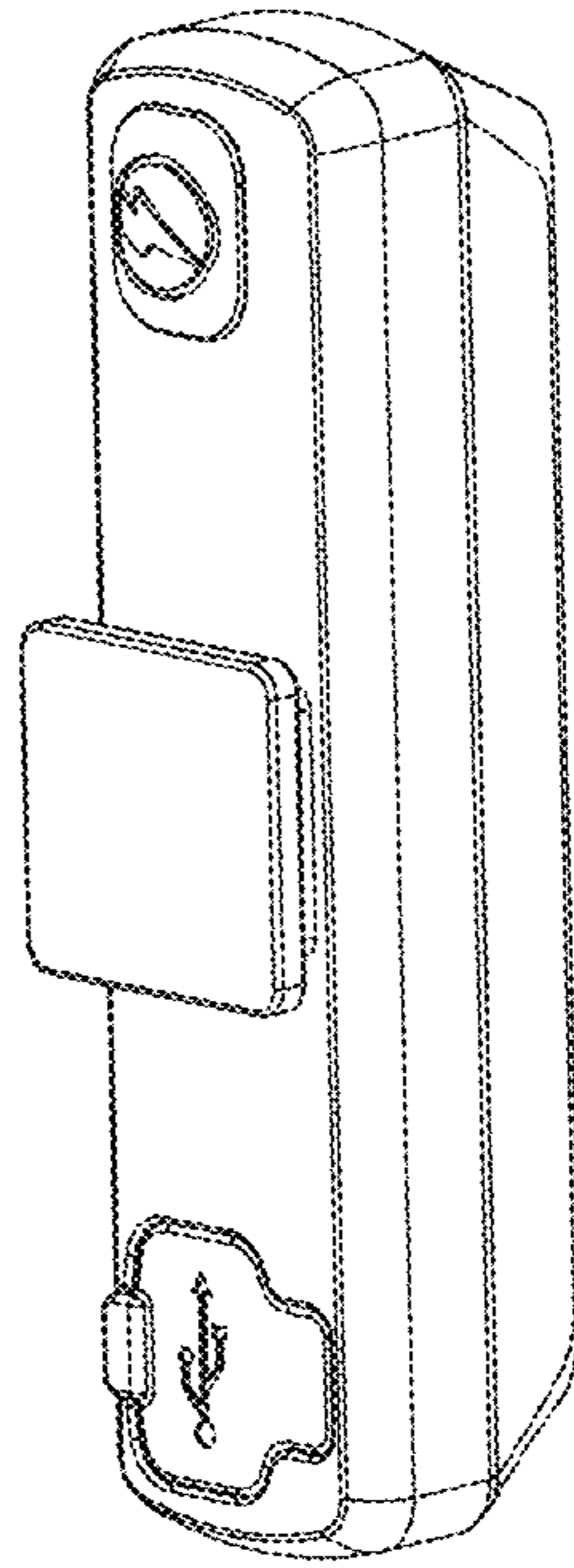


Figure 8