



US00D792622S

(12) **United States Design Patent** (10) **Patent No.:** **US D792,622 S**  
**Briscoe** (45) **Date of Patent:** **\*\* Jul. 18, 2017**

(54) **LIGHT FOR VEHICLE**  
(71) Applicant: **Volvo Car Corporation**, Göteborg (SE)  
(72) Inventor: **Alsed Briscoe**, Mölndal (SE)  
(73) Assignee: **Volvo Car Corporation**, Göteborg (SE)  
(\*\*) Term: **15 Years**

D771,848 S \* 11/2016 Mossner ..... D26/28  
D773,082 S \* 11/2016 Kanasugi ..... D26/28  
D780,353 S \* 2/2017 Ha ..... D26/28  
D780,966 S \* 3/2017 Binder ..... D26/28  
D781,472 S \* 3/2017 Hirai ..... D26/28

(21) Appl. No.: **29/565,157**  
(22) Filed: **May 18, 2016**

**FOREIGN PATENT DOCUMENTS**

TW D166606 S 3/2015  
TW D172532 S 12/2015

(30) **Foreign Application Priority Data**

Nov. 24, 2015 (EM) ..... 002874677-0001

**OTHER PUBLICATIONS**

Image: Volvo S90, revealed to public: Jan. 11, 2016.  
Image: Volvo Concept Coupe, revealed to public: Aug. 29, 2013.  
English translation of Taiwanese search report for corresponding ROC (Taiwan) Design Patent Application No. 105302932 dated Jan. 9, 2017.

(51) **LOC (10) Cl.** ..... **26-07**  
(52) **U.S. Cl.**  
USPC ..... **D26/28**  
(58) **Field of Classification Search**  
USPC ..... D26/28-36; 362/459-468, 475-478,  
362/485-487  
CPC ..... F21S 48/00; F21S 48/10; F21S 48/115;  
F21S 48/225; F21S 48/1233; F21S  
48/1266; F21S 48/1388; F21S 48/2268;  
F21V 21/04  
See application file for complete search history.

\* cited by examiner

*Primary Examiner* — Angela J Lee  
(74) *Attorney, Agent, or Firm* — Tucker Ellis LLP

(56) **References Cited**

**DESCRIPTION**

**U.S. PATENT DOCUMENTS**

D610,282 S \* 2/2010 Saridakis ..... D26/28  
D704,870 S \* 5/2014 Kim ..... D26/28  
D731,098 S 6/2015 Thole  
D735,920 S \* 8/2015 Honda ..... D26/28  
D736,971 S \* 8/2015 Duff ..... D26/28  
D740,976 S \* 10/2015 Ko ..... D26/28  
D744,677 S 12/2015 Lai  
D749,762 S \* 2/2016 Sa ..... D26/28  
D761,978 S \* 7/2016 Lai ..... D26/28  
D769,477 S \* 10/2016 Gunnarson ..... D26/28

FIG. 1 is a perspective view of a light for vehicle showing my new design.  
FIG. 2 is a front view thereof.  
FIG. 3 is a rear view thereof.  
FIG. 4 is a left side view thereof.  
FIG. 5 is a right side view thereof.  
FIG. 6 is a top view thereof; and,  
FIG. 7 is a bottom view thereof.

**1 Claim, 7 Drawing Sheets**





FIG. 1

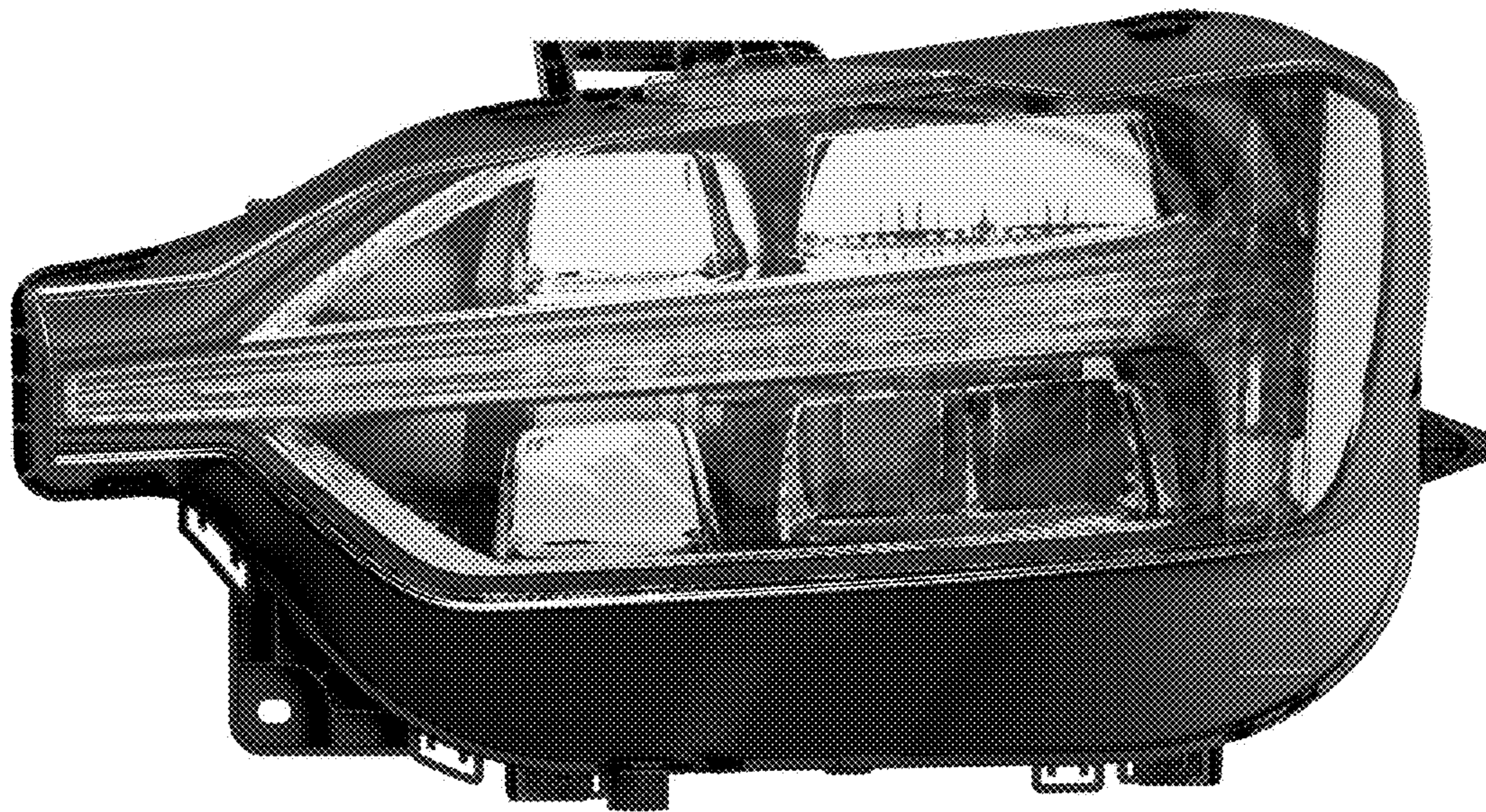


FIG. 2

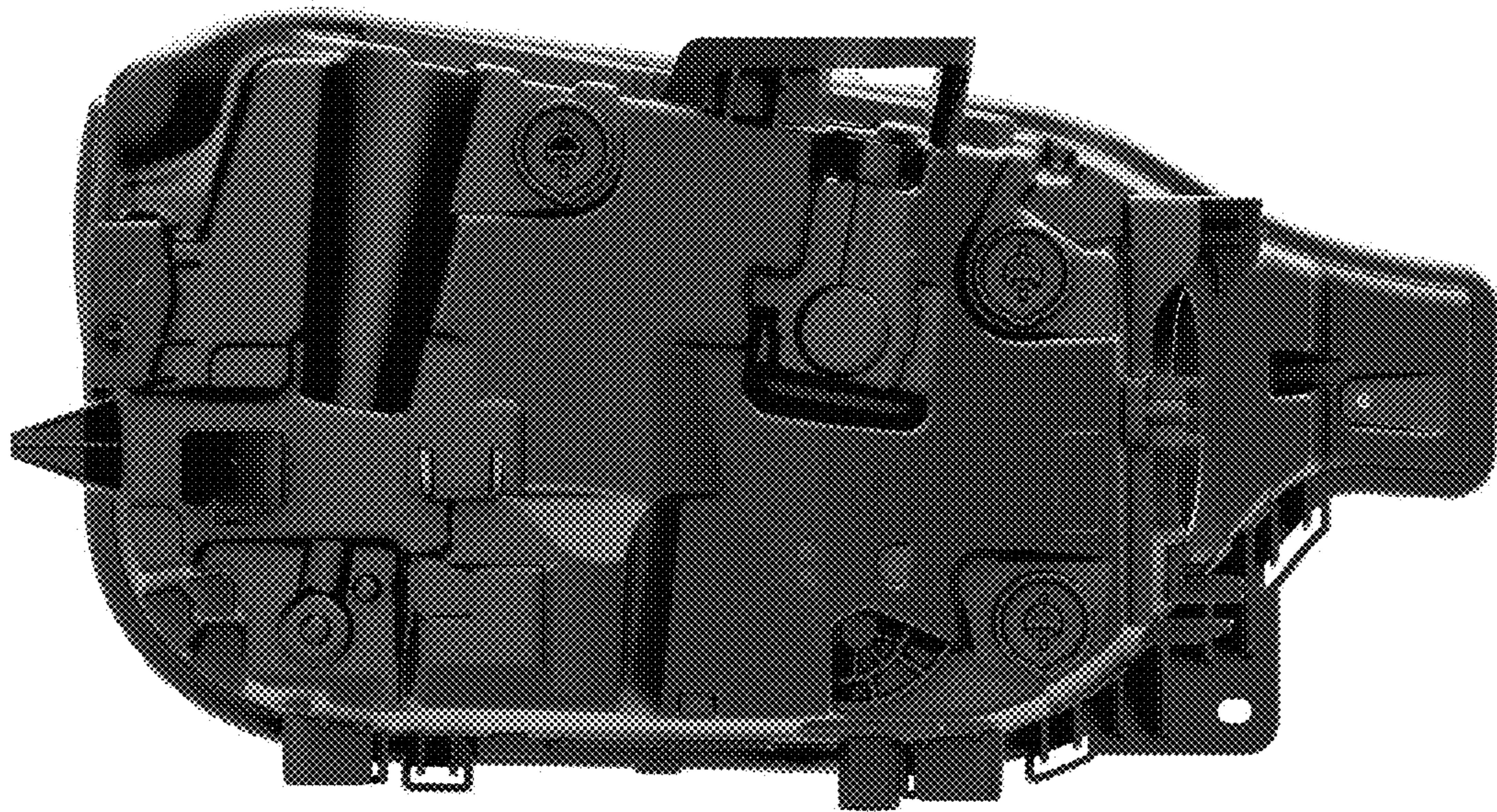


FIG. 3

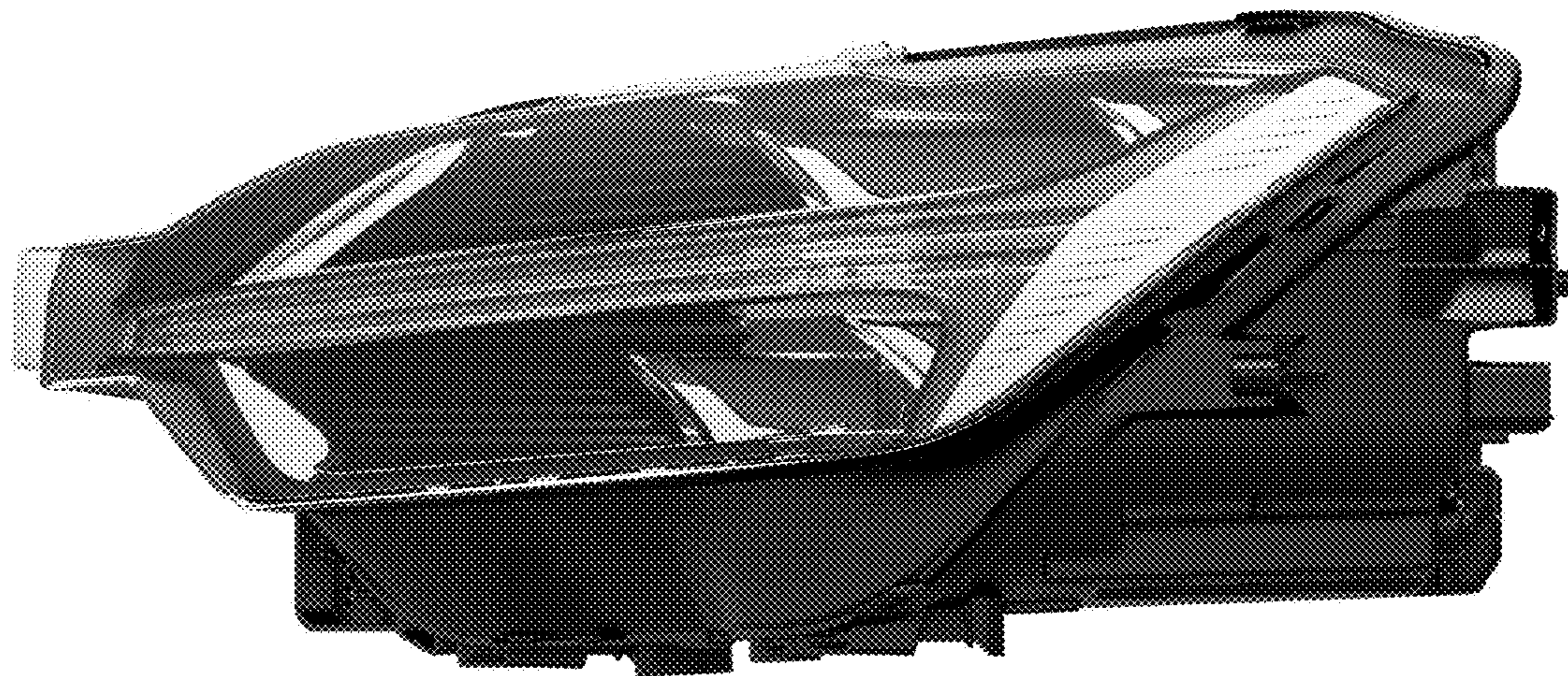


FIG. 4

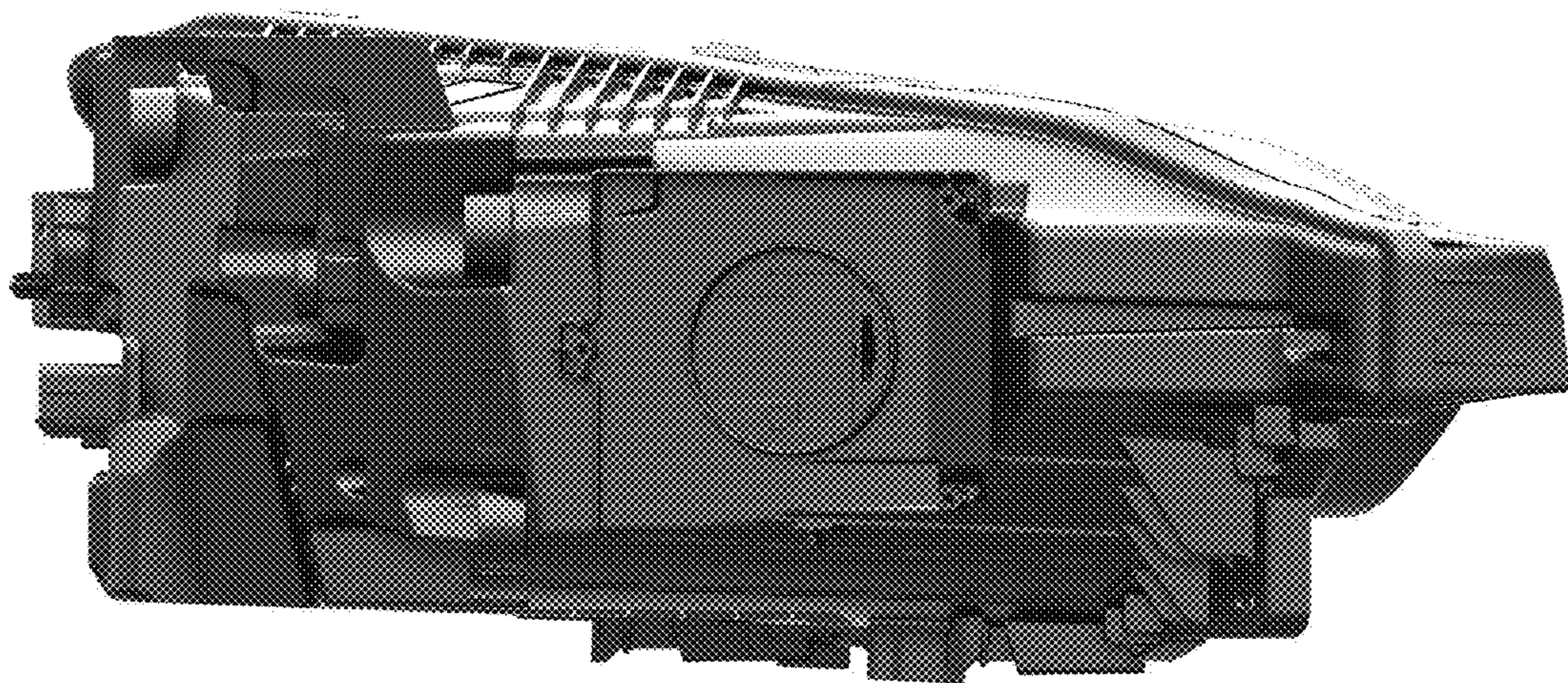


FIG. 5

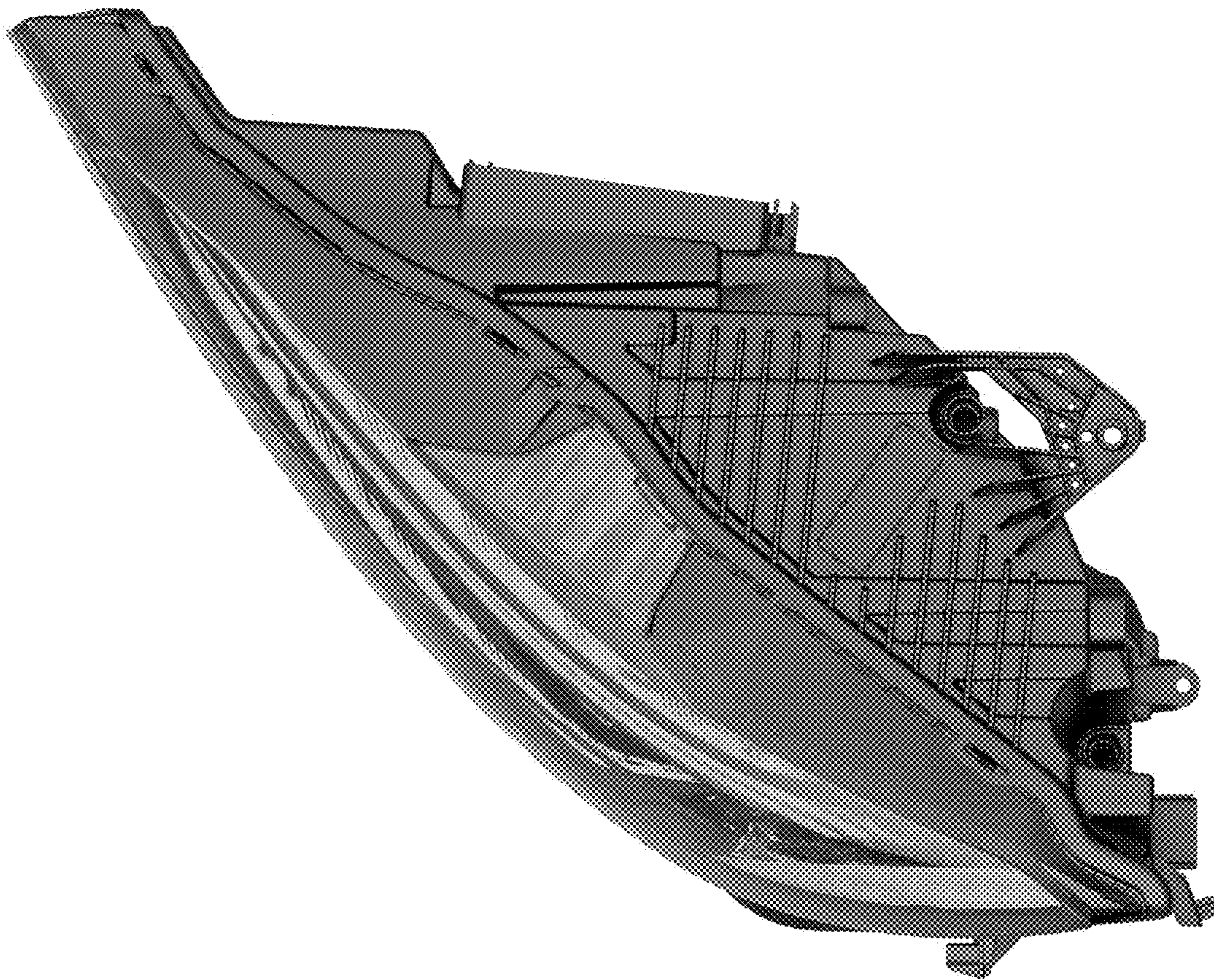


FIG. 6

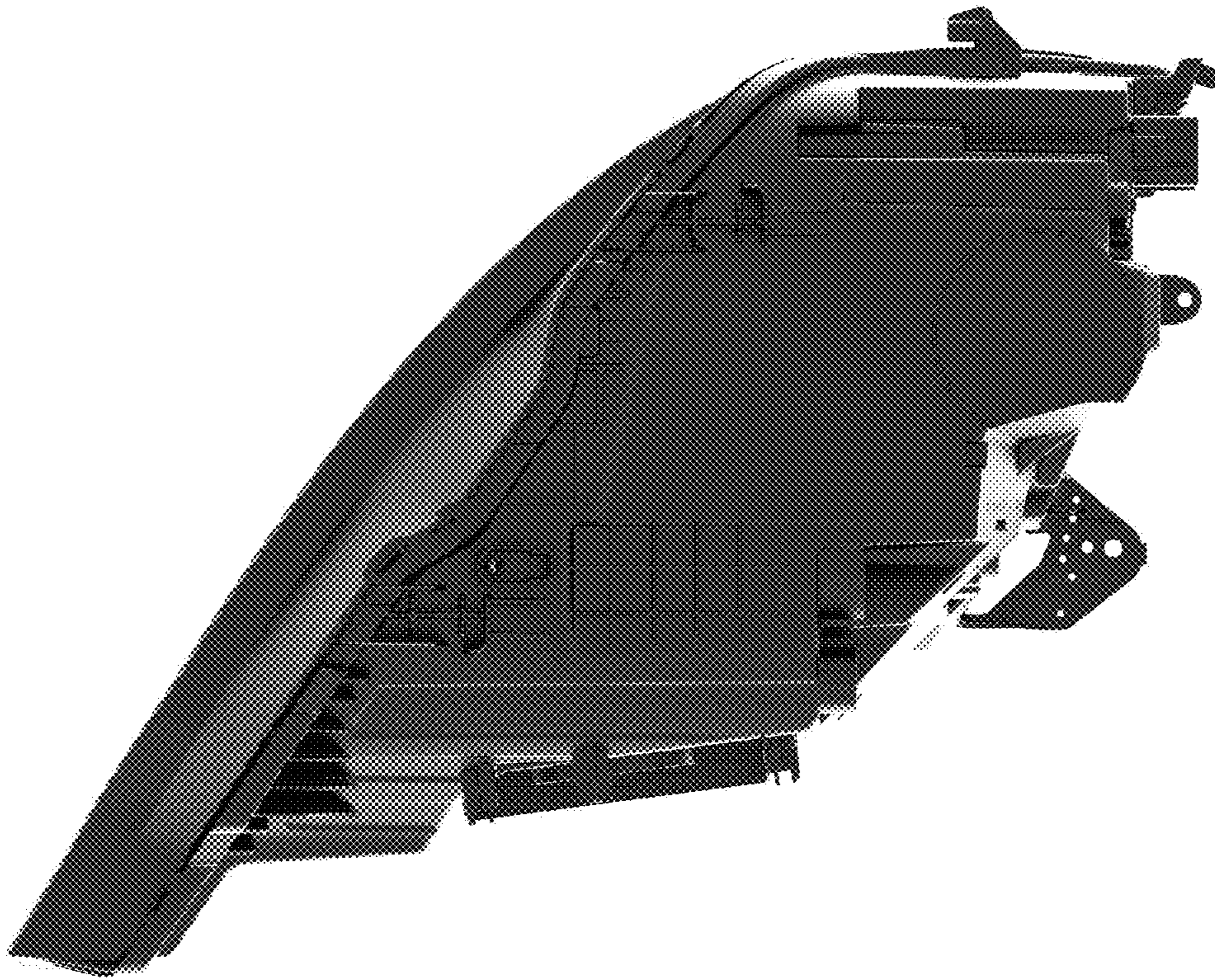


FIG. 7