



US00D792614S

(12) **United States Design Patent** (10) **Patent No.:** **US D792,614 S**
Thomas (45) **Date of Patent:** **** Jul. 18, 2017**

(54) **POST**
(71) Applicant: **NZ Tube Mills Limited**, Lower Hutt (NZ)

D219,343 S * 12/1970 Rinaldi D25/127
D648,867 S * 11/2011 Guzzini D25/126
D718,241 S * 11/2014 Gretz D13/139.5
2015/0354245 A1 * 12/2015 Mobile, Sr. E04H 17/14
256/24

(72) Inventor: **Malcolm Thomas**, Upper Hutt (NZ)

* cited by examiner

(73) Assignee: **NZ TUBE MILLS LIMITED** (NZ)

Primary Examiner — Thomas Johannes

(**) Term: **15 Years**

Assistant Examiner — Samantha Q Lawrence

(21) Appl. No.: **29/562,695**

(74) *Attorney, Agent, or Firm* — Misikin & Tsui-Yip LLP;
Gloria Tsui-Yip, Esq.

(22) Filed: **Apr. 28, 2016**

(57) **CLAIM**

The ornamental design for a post, as shown and described.

(30) **Foreign Application Priority Data**

DESCRIPTION

Oct. 30, 2015 (NZ) 420851

(51) **LOC (10) Cl.** **25-01**

(52) **U.S. Cl.**
USPC **D25/127**

(58) **Field of Classification Search**
USPC D25/42, 43, 44, 45, 46, 58, 126–135;
52/149, 345, 831, 832, 833, 834, 835
CPC ... E04H 12/24; E04H 17/20; F21W 2131/109
See application file for complete search history.

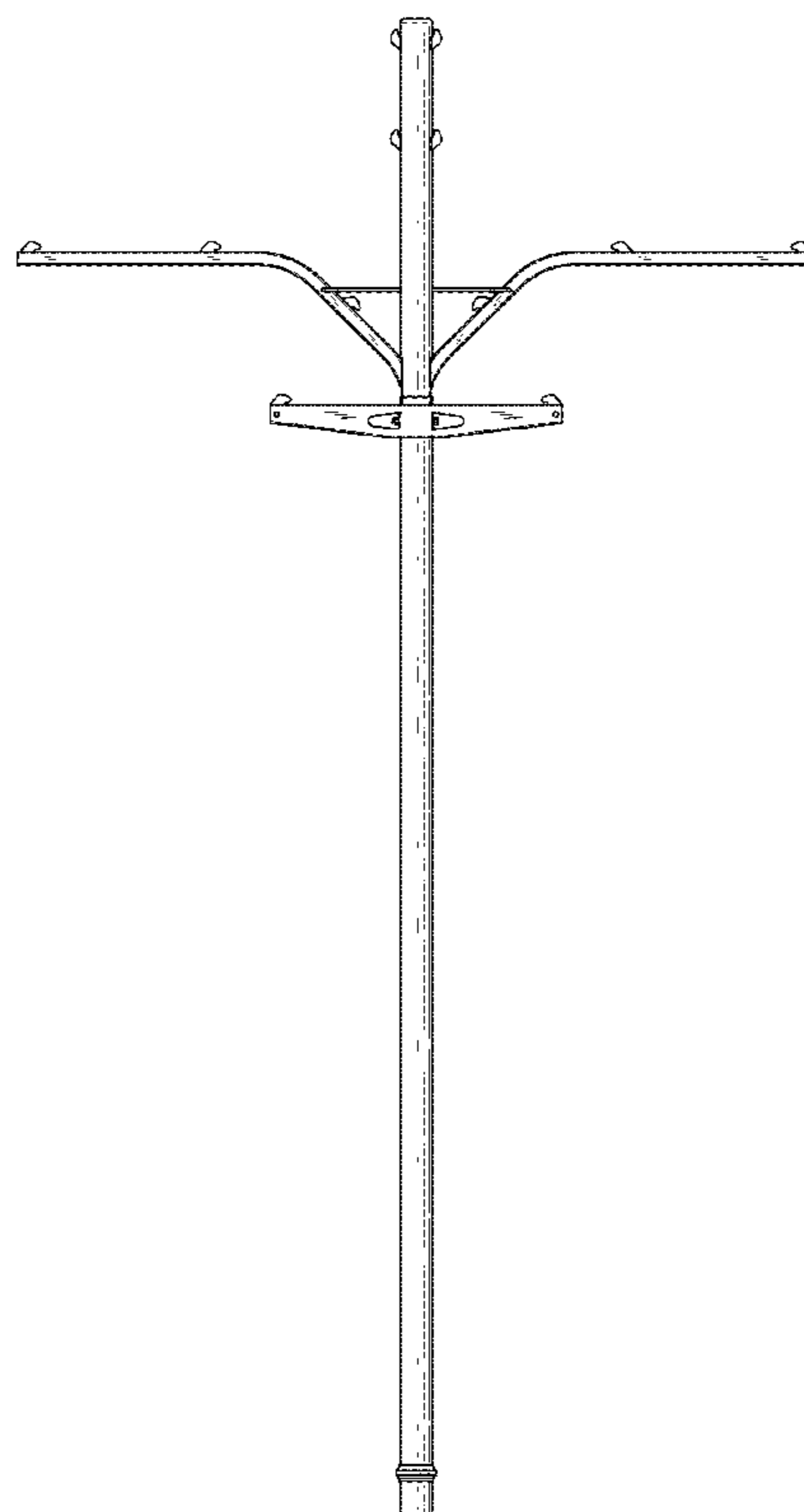
FIG. 1 is a front elevational view of my new design;
FIG. 2 is a rear elevational view thereof;
FIG. 3 is a left side view thereof;
FIG. 4 is a right side view thereof;
FIG. 5 is a top plan view thereof;
FIG. 6 is a bottom plan view thereof;
FIG. 7 is a perspective view thereof; and,
FIG. 8 is another perspective view thereof.
FIG. 8 is an enlarged view of the top and bottom portions shown broken away, with the center portion removed, for clarify of detail. The removal of the center portion in FIG. 8 has no impact on the claimed design.
The broken line areas in FIGS. 5 and 6 showing portions of the post that form no part of the claimed design.

(56) **References Cited**

U.S. PATENT DOCUMENTS

D20,449 S * 1/1891 Fletcher D25/127
3,270,480 A * 9/1966 Beecker E04H 12/08
362/431

1 Claim, 6 Drawing Sheets



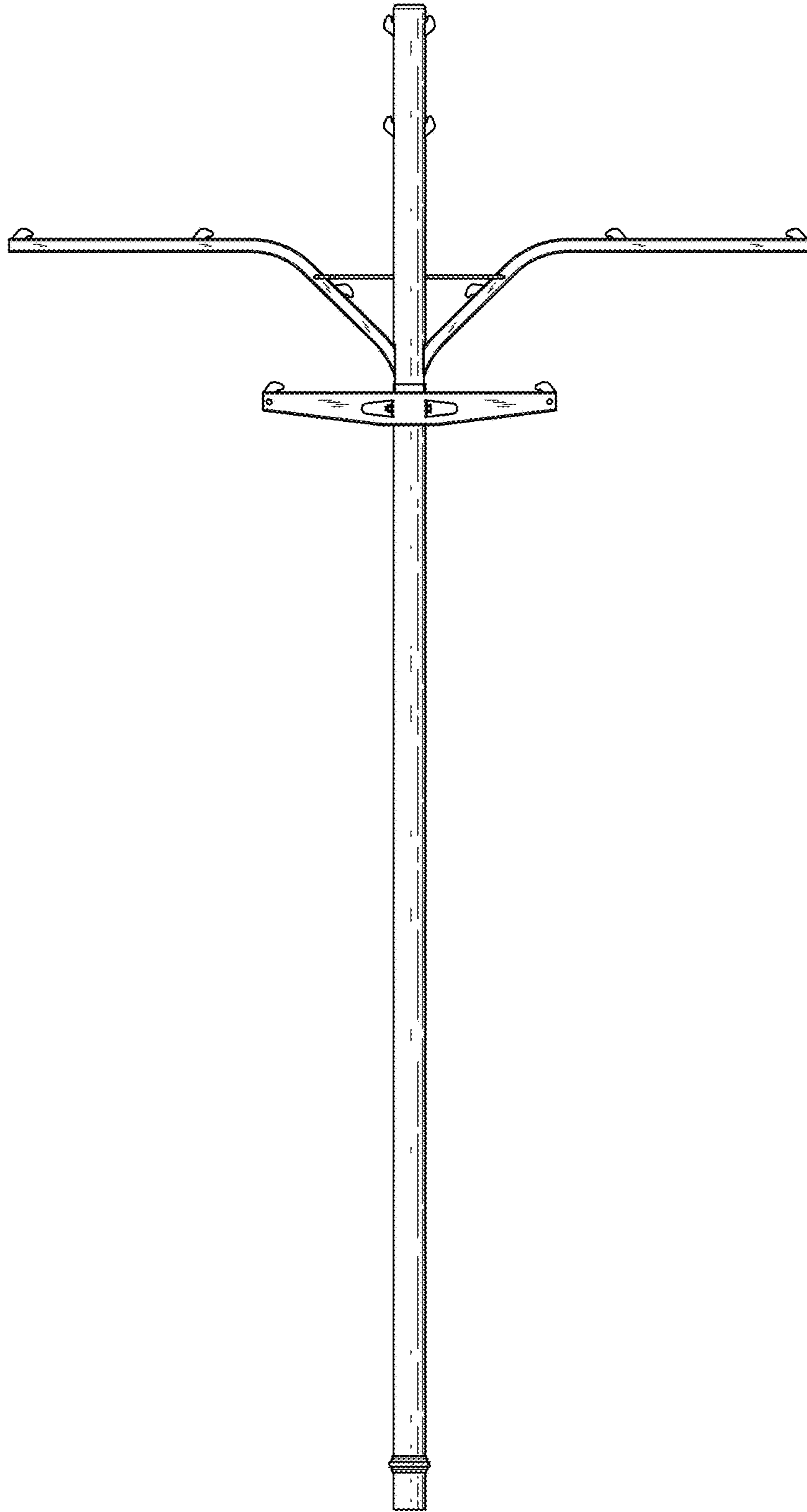


Fig. 1

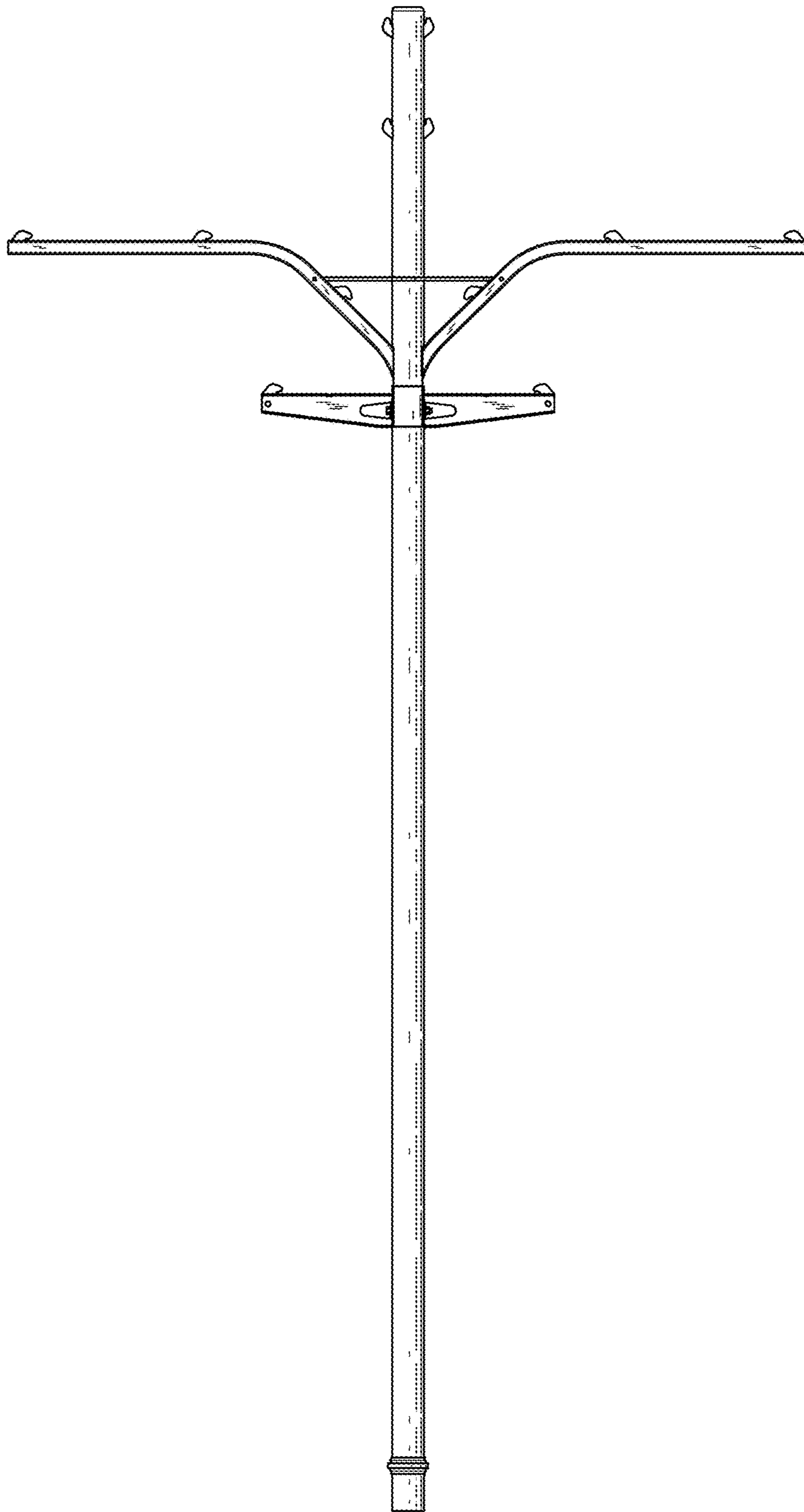


Fig.2

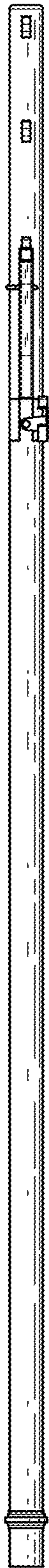


Fig.3



Fig.4



Fig.5



Fig.6

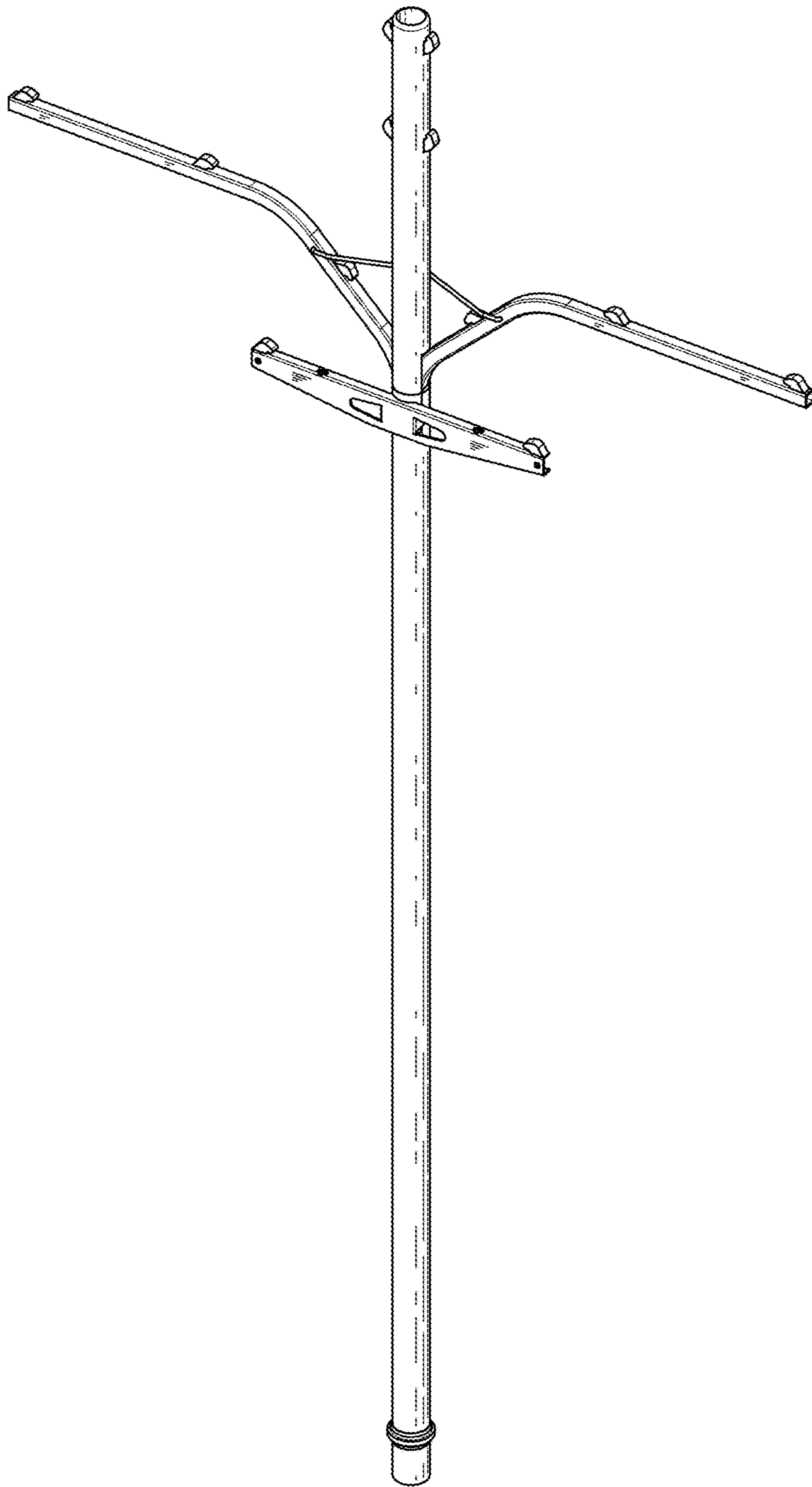


Fig.7

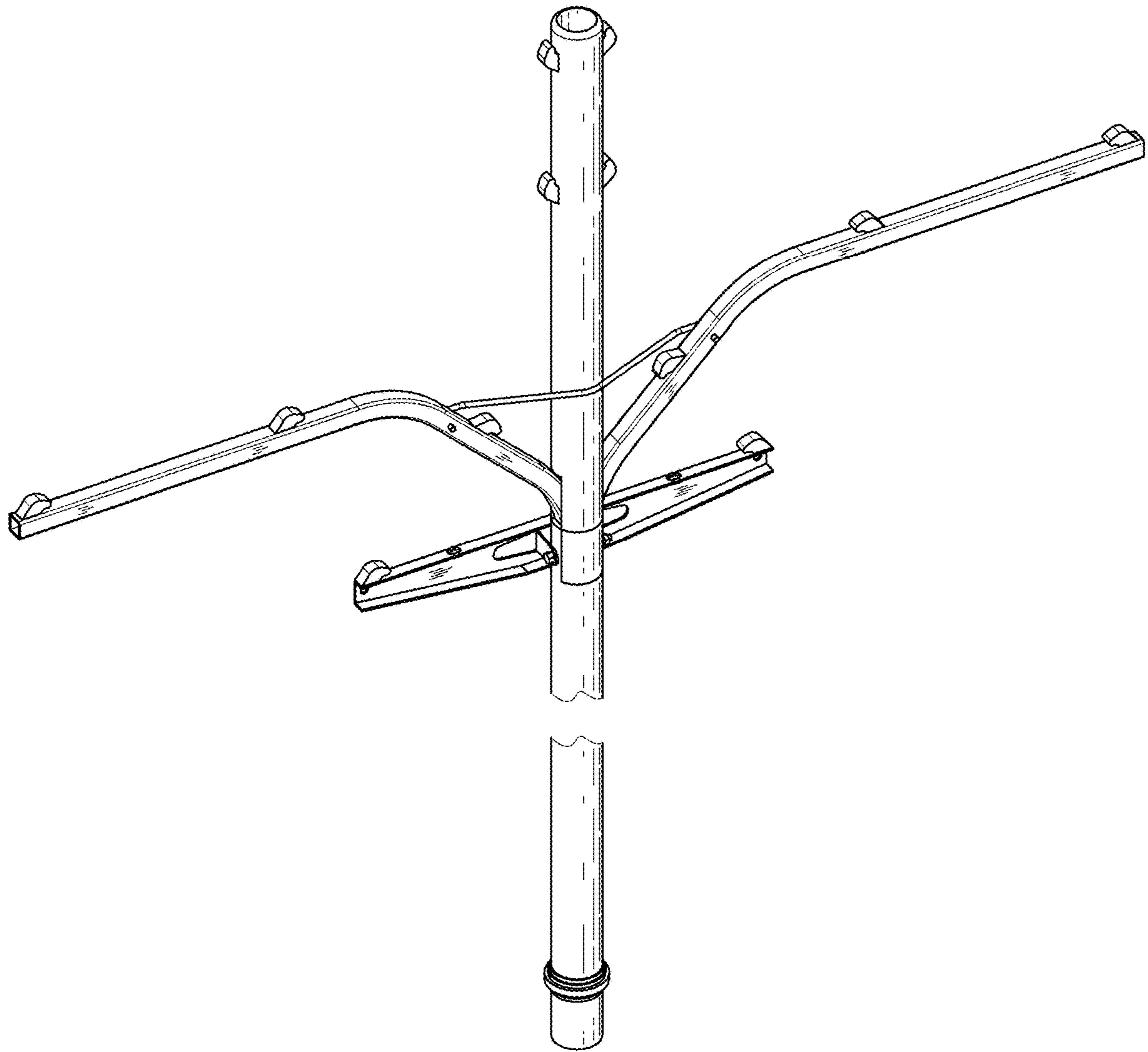


Fig.8