



US00D792613S

(12) **United States Design Patent**  
**Bar-or**

(10) **Patent No.:** **US D792,613 S**

(45) **Date of Patent:** **\*\* Jul. 18, 2017**

(54) **SAFETY STANCHION AND BELT REEL**

FOREIGN PATENT DOCUMENTS

(71) Applicant: **David Bar-or**, Los Angeles, CA (US)

BR 8301203 \* 2/2005

(72) Inventor: **David Bar-or**, Los Angeles, CA (US)

OTHER PUBLICATIONS

(\*\*) Term: **14 Years**

(21) Appl. No.: **29/507,543**

Queway Stanchions, CrowdControlStore.com, [online], [site visited Aug. 26, 2016]. <URL: <https://www.crowdcontrolstore.com/queueway-black-retractable-belt-stanchions1.aspx>>.\*

(22) Filed: **Oct. 28, 2014**

Retractable Crowd Control, Uline, [online], [site visited Aug. 26, 2016]. <URL: [http://www.uline.com/BL\\_8917/Retractable-Crowd-Control?keywords=stanchion](http://www.uline.com/BL_8917/Retractable-Crowd-Control?keywords=stanchion)>.\*

(51) **LOC (10) Cl.** ..... **25-01**

Basic Retractable Belt Stanchion, Stanchion World, [online], [site visited Aug. 26, 2016], <URL: [http://www.stanchionworld.com/product\\_p/26-20400.htm](http://www.stanchionworld.com/product_p/26-20400.htm)>.\*

(52) **U.S. Cl.**

USPC ..... **D25/126; D25/48.6**

\* cited by examiner

(58) **Field of Classification Search**

USPC ..... D25/48.6, 126, 51, 131, 119-125;  
256/65.02, 1, 3

*Primary Examiner* — T. Chase Nelson

*Assistant Examiner* — Jonathan J Han

CPC ..... G02B 5/136; E01F 13/028; E01F 9/0111;  
E01F 13/022

(74) *Attorney, Agent, or Firm* — Roy A. Ekstrand

See application file for complete search history.

(57) **CLAIM**

The ornamental design for a safety stanchion and belt reel, as shown and described.

(56) **References Cited**

**DESCRIPTION**

U.S. PATENT DOCUMENTS

4,844,420	A *	7/1989	Oster	.....	B65H 75/38 160/24
D343,690	S *	1/1994	Carey	.....	D25/131
D441,877	S *	5/2001	Fortier	.....	D25/122
D447,251	S *	8/2001	Tsai	.....	D25/131
D483,131	S *	12/2003	Tsai	.....	D25/131
D492,039	S *	6/2004	De Lorenzo	.....	D25/48.6
D492,421	S *	6/2004	De Lorenzo	.....	D25/48.6
D492,422	S *	6/2004	De Lorenzo	.....	D25/48.6
6,969,050	B1 *	11/2005	Loebner	.....	E01F 13/028 256/1
D556,915	S *	12/2007	Tuncel	.....	D25/48.6
D583,487	S *	12/2008	Hackett	.....	D25/126
2005/0017115	A1 *	1/2005	de Lorenzo	.....	E01F 13/028 242/378.4
2008/0263925	A1 *	10/2008	Berg	.....	G09F 19/22 40/607.14

FIG. 1 sets forth a perspective view of a safety stanchion and belt reel showing the present invention new design;

FIG. 2 is a right side view thereof;

FIG. 3 is a left side view thereof;

FIG. 4 is a front view thereof;

FIG. 5 is a rear view thereof;

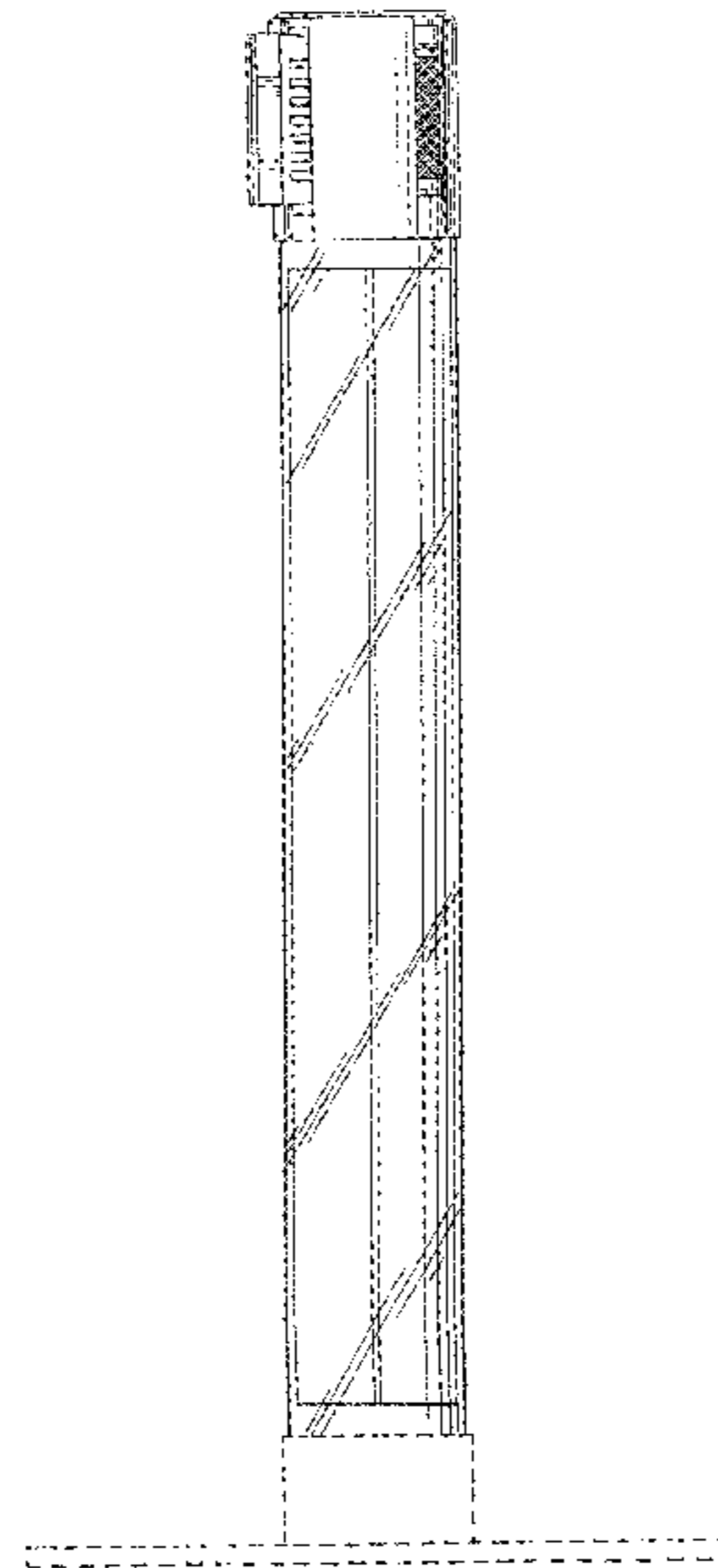
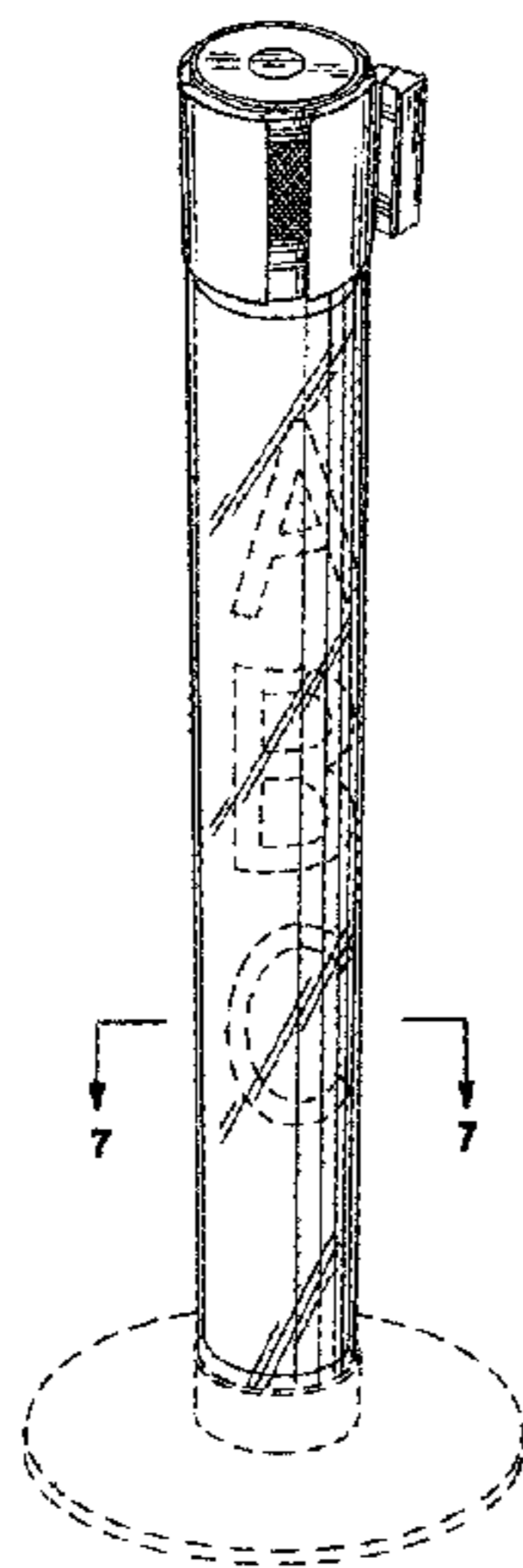
FIG. 6 is a top view thereof;

FIG. 7 is a section view thereof taken along section lines 7-7 in FIG. 1; and,

FIG. 8 is a bottom view thereof.

The broken lines throughout the figure views depict portions of the safety stanchion and belt reel that form no part of the claimed design.

**1 Claim, 7 Drawing Sheets**



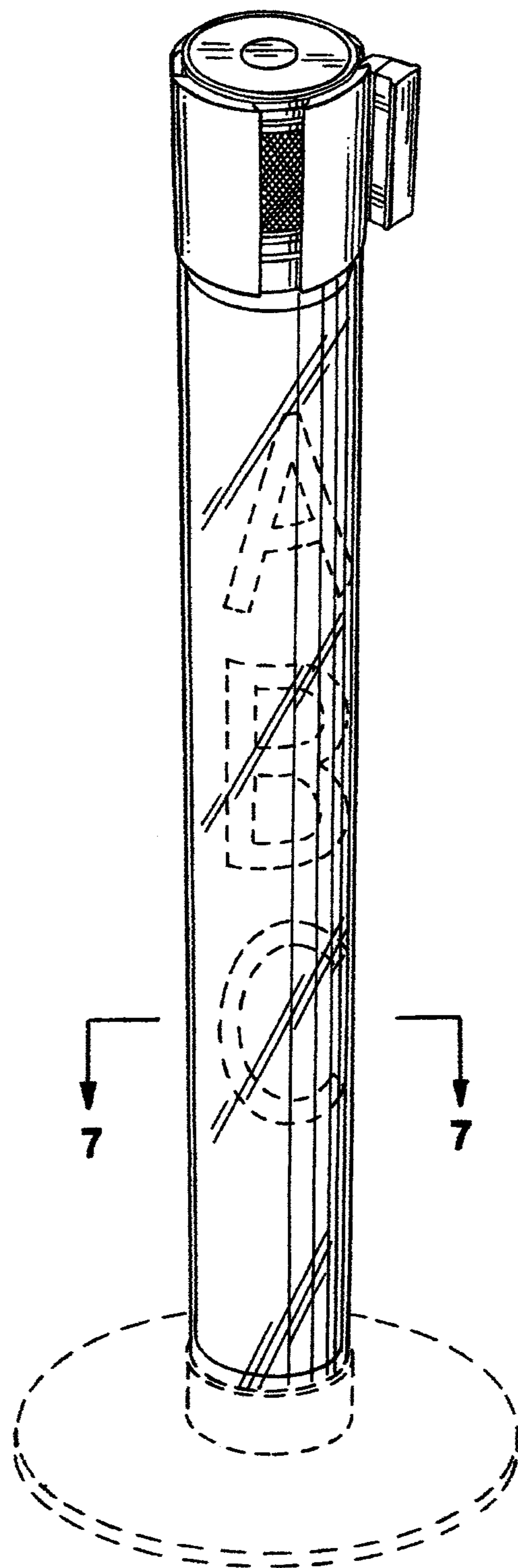


FIG. 1

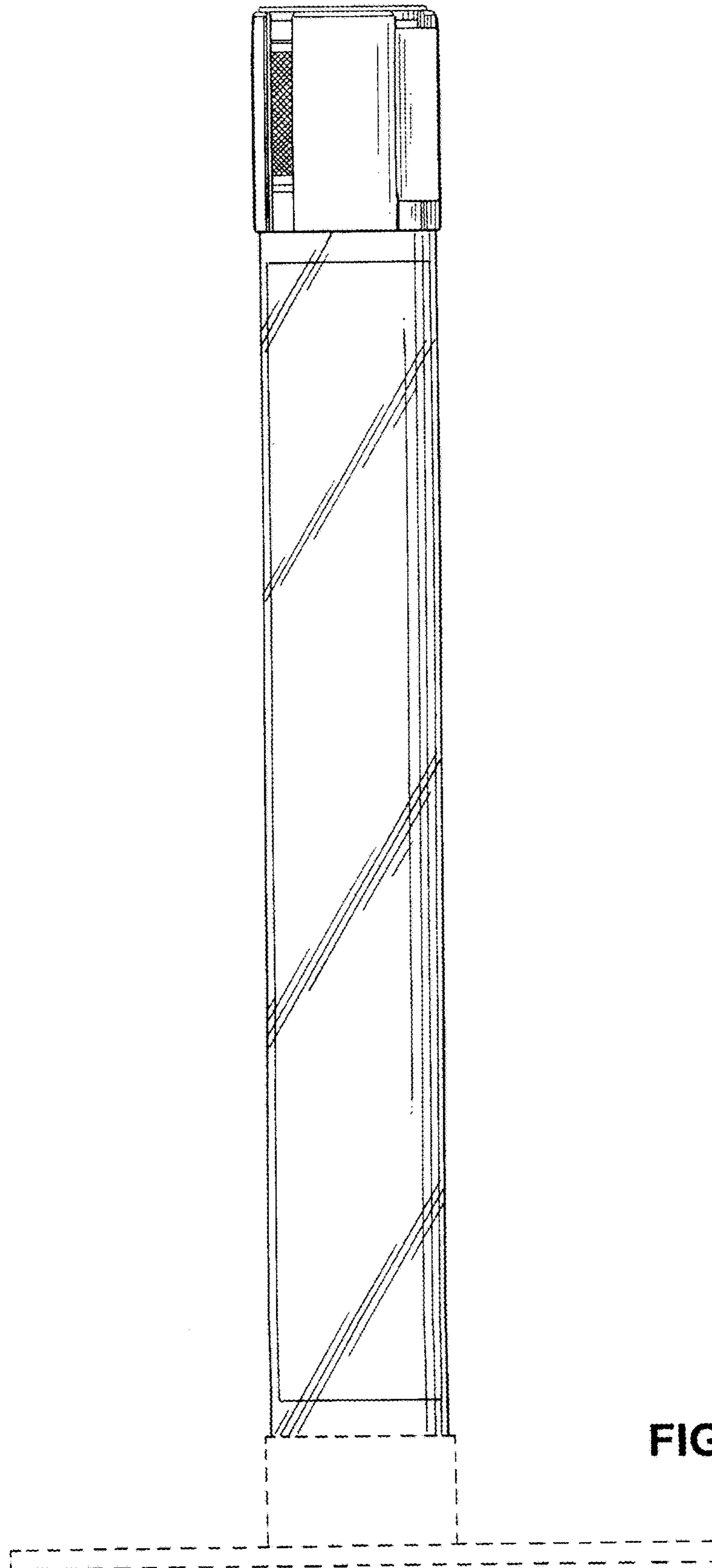


FIG. 2

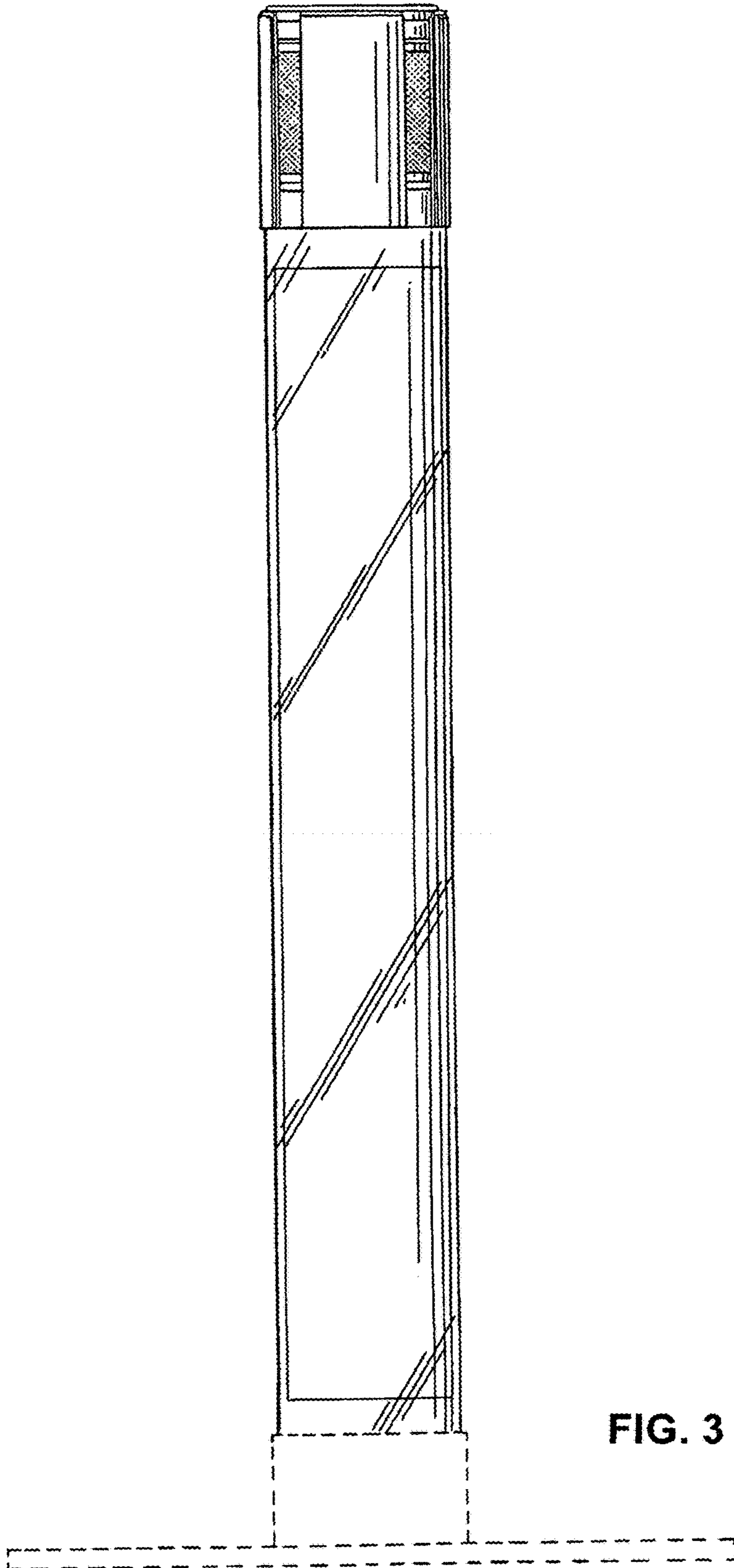


FIG. 3

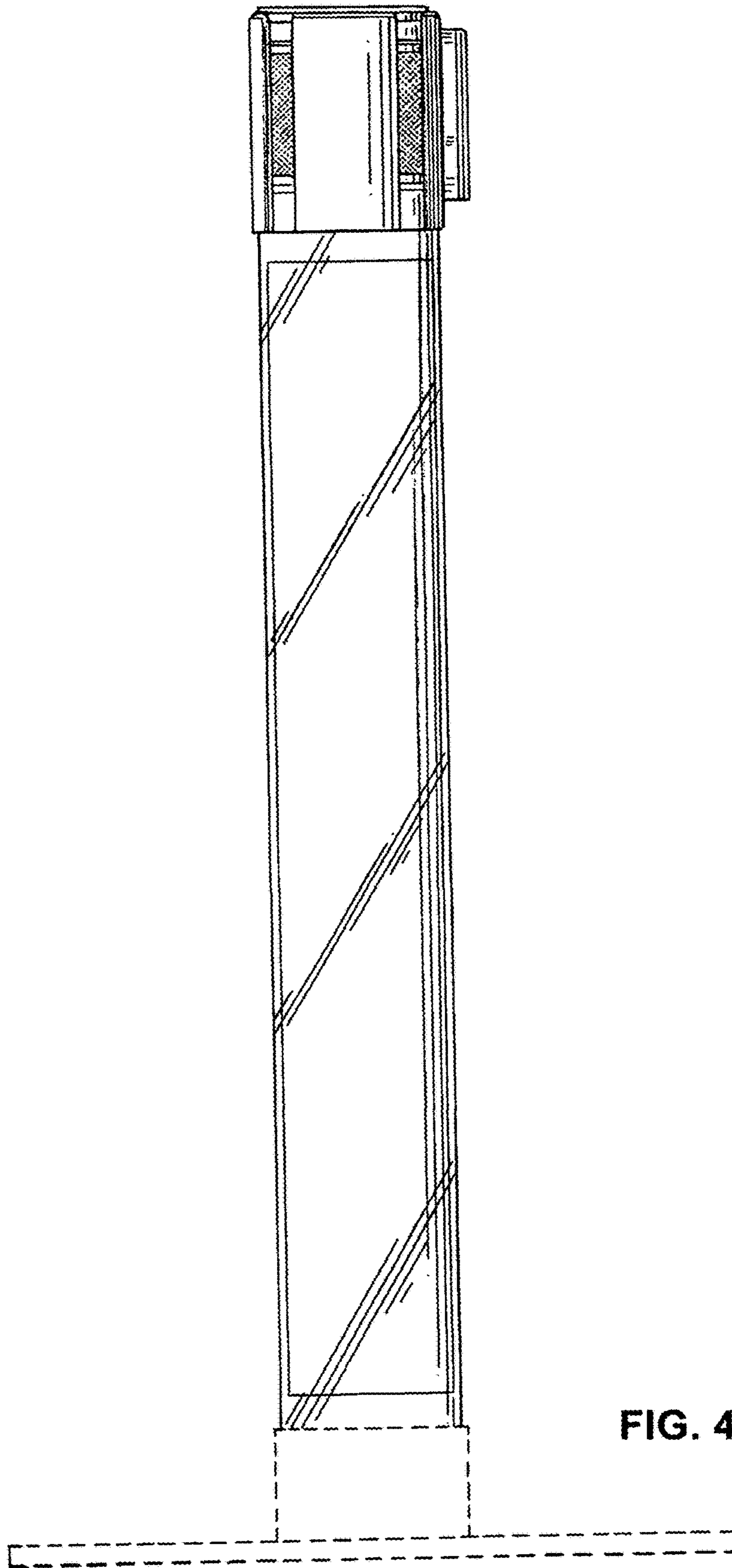
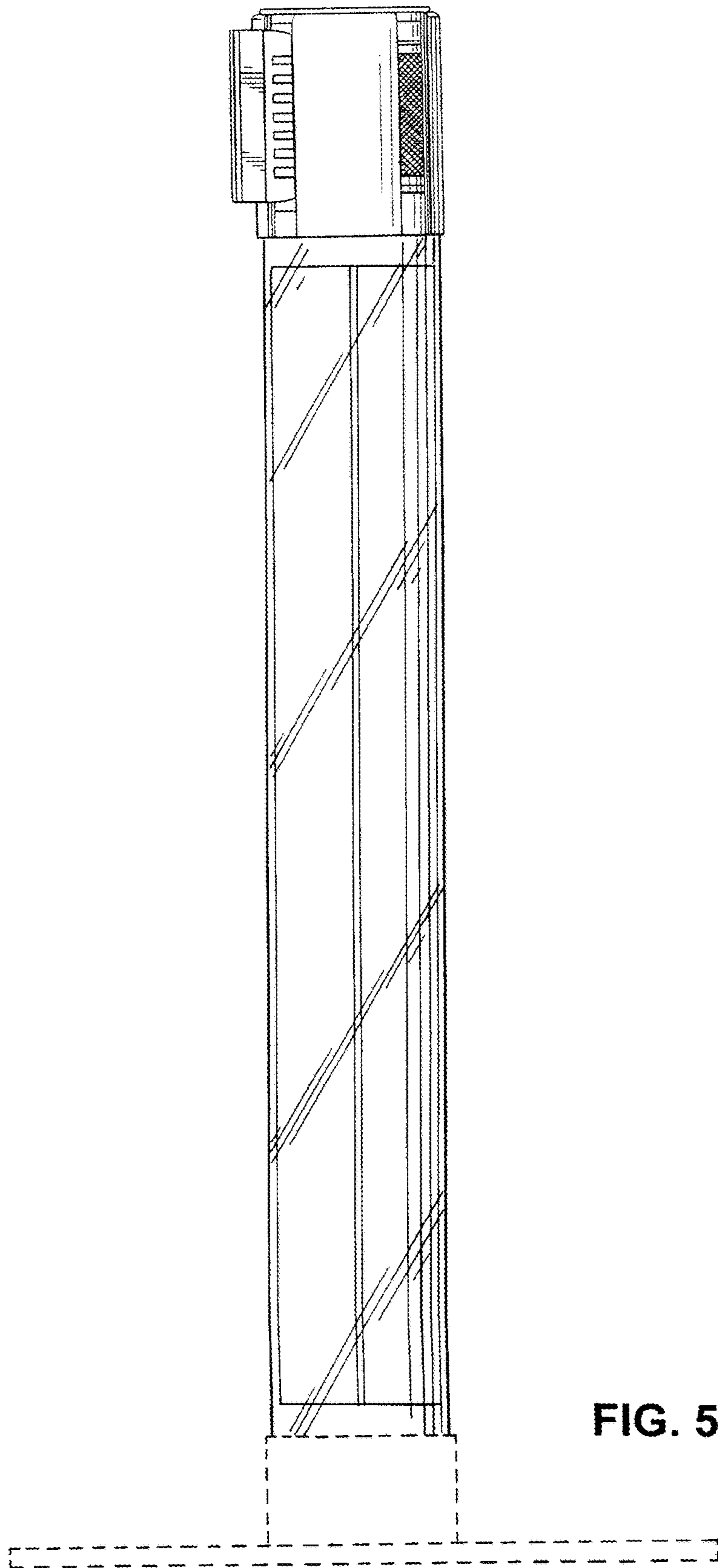
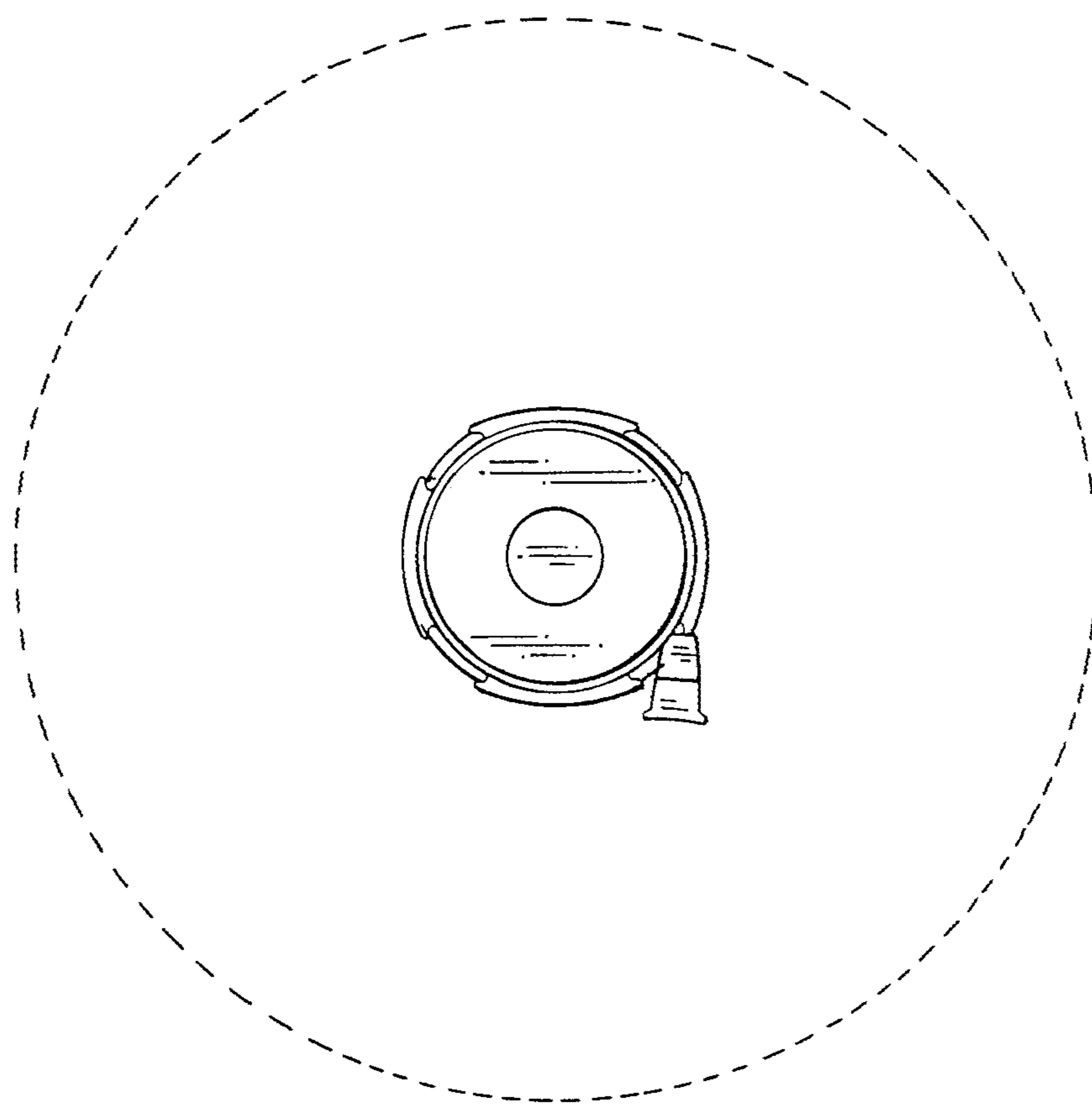


FIG. 4





**FIG. 5**



**FIG. 6**

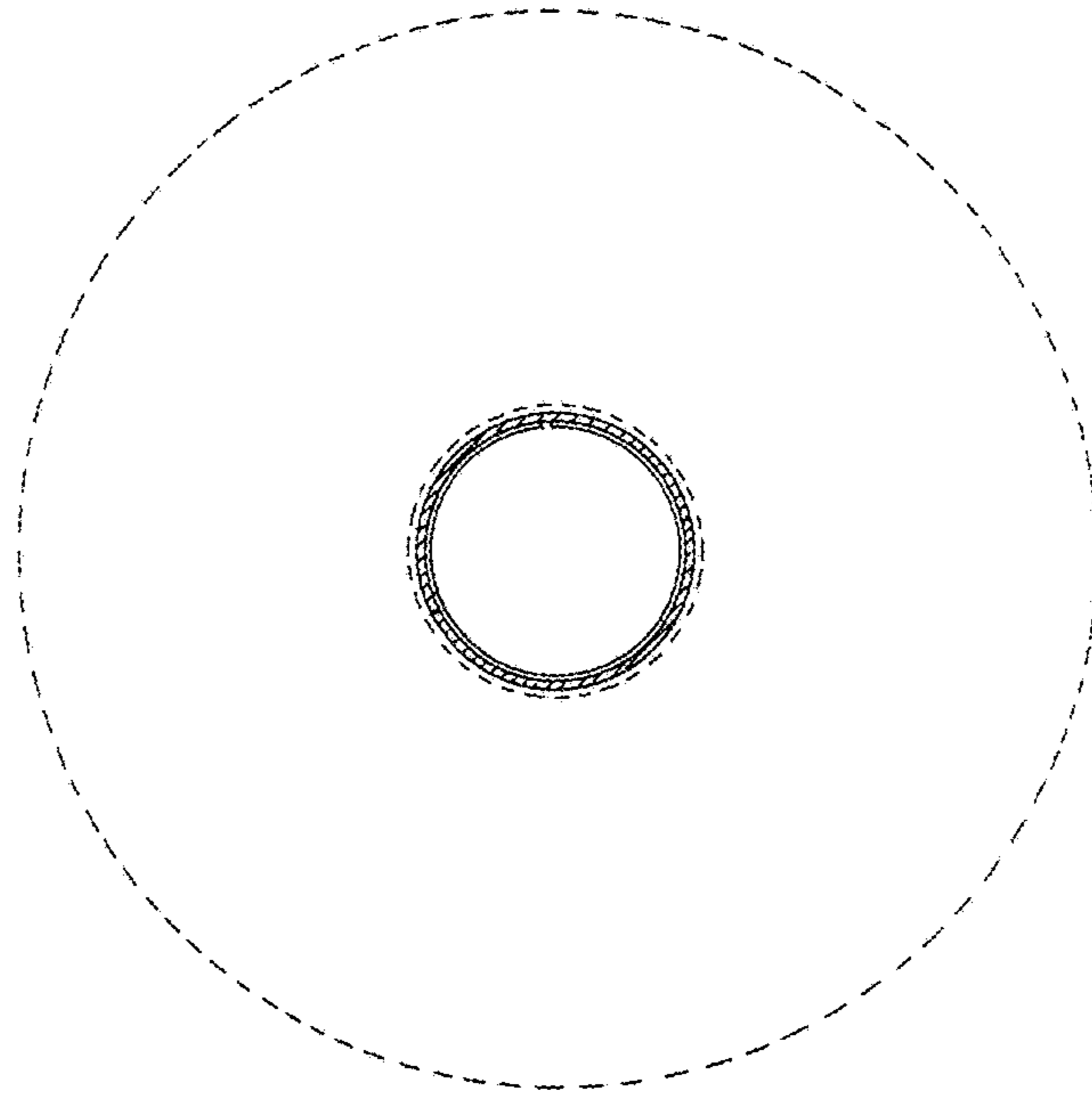


FIG. 7

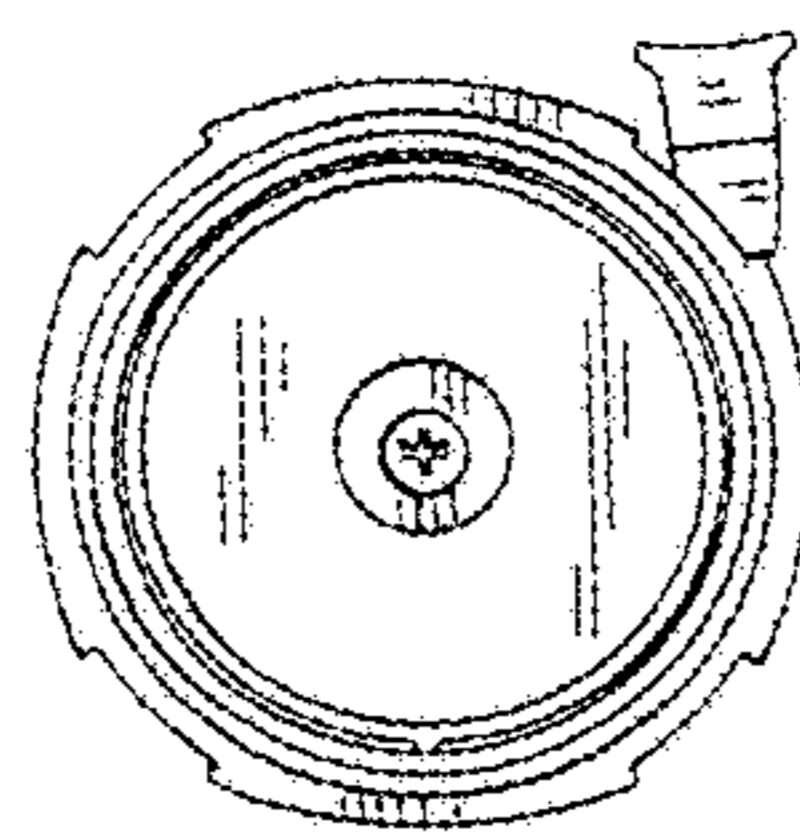


FIG. 8