



US00D792610S

(12) **United States Design Patent** (10) **Patent No.:** **US D792,610 S**
Smith et al. (45) **Date of Patent:** **** Jul. 18, 2017**

(54) **CONTROL JOINT WITH METAL LATH ATTACHMENT FEATURE**

FOREIGN PATENT DOCUMENTS

(71) Applicant: **CLARKWESTERN DIETRICH BUILDING SYSTEMS LLC**, West Chester, OH (US)

BE 1019998 A3 3/2013
CA 93969 S 11/2001
(Continued)

(72) Inventors: **Jeremy Ryan Smith**, Carrollton, VA (US); **Nick Joseph Apanovich**, Tampa, FL (US); **Erenio Reyes**, Miami, FL (US); **Christopher K. Little**, Suwanee, GA (US)

OTHER PUBLICATIONS

"#093 Zinc Control Joint (ZNCJ)," ClarkDietrich, 2015, 1 pg. downloaded Jan. 28, 2016 from <http://www.clarkdietrich.com/products/metal-trims-and-finishing-products/093-zinc-control-joint-zncj>.

(73) Assignee: **Clarkwestern Dietrich Building Systems LLC**, West Chester, OH (US)

(Continued)

(**) Term: **15 Years**

Primary Examiner — Cynthia Ramirez

Assistant Examiner — Gino Colan

(74) *Attorney, Agent, or Firm* — Frost Brown Todd LLC

(21) Appl. No.: **29/537,816**

(22) Filed: **Aug. 28, 2015**

(51) **LOC (10) Cl.** **25-01**

(52) **U.S. Cl.**
USPC **D25/119**

(58) **Field of Classification Search**

USPC D25/119–125, 69, 56, 48.8, 47, 49, 60, D25/141, 138, 58, 38.1, 135, 136, 35, 61; 52/179, 506.06, 506.07, 716.1, 579, 578, 52/506.05, 489.1, 309.14, 518, 555, 52/204.59, 204.5, 255, 254, 293.1, 202, 52/408, 302.6, 443, 831; 40/658, 666, 40/426, 549, 761

CPC ... E04F 13/06; E04F 13/068; E04F 2013/065; E04F 13/047

See application file for complete search history.

(56) **References Cited**

U.S. PATENT DOCUMENTS

1,555,392 A 9/1925 Scherer et al.
2,298,251 A 10/1942 Burson
2,679,156 A 5/1954 McFarland

(Continued)

(57) **CLAIM**

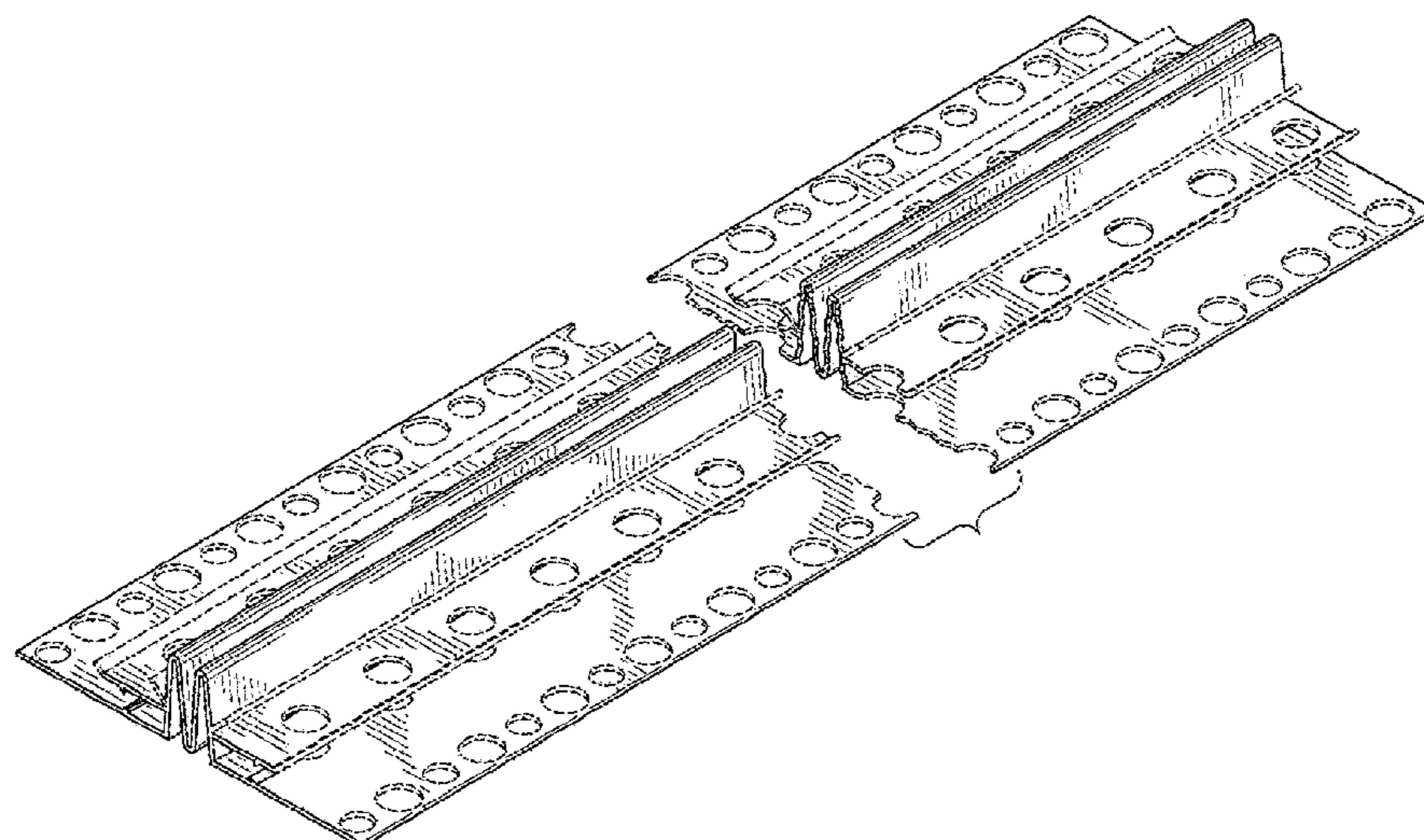
The ornamental design for a control joint with metal lath attachment feature, as shown and described.

DESCRIPTION

FIG. 1 is a front perspective view of a control joint with metal lath attachment feature, showing our new design; FIG. 2 is a front elevational view thereof; FIG. 3 is a rear elevational view thereof; FIG. 4 is a left elevational view thereof; FIG. 5 is a right elevational view thereof; FIG. 6 is a top plan view thereof; and, FIG. 7 is a bottom plan view thereof.

The broken lines in FIGS. 1-7 are included for purposes of illustrating portions of the control joint with metal lath attachment feature that form no part of the claimed design. The control joint with metal lath attachment feature is shown with a symbolic break in its length. The appearance of any portion of the control joint with metal lath attachment feature between the break lines forms no part of the claimed design.

1 Claim, 5 Drawing Sheets



(56)

References Cited

U.S. PATENT DOCUMENTS

3,412,512	A	11/1968	Hollister	
3,754,367	A	8/1973	O’Konski et al.	
5,067,297	A	11/1991	Sobol	
5,477,643	A	12/1995	Koenig, Jr.	
5,699,638	A	12/1997	Maylon	
5,946,870	A *	9/1999	Bifano	E04B 1/765 52/254
6,293,064	B1	9/2001	Larson	
6,298,609	B1 *	10/2001	Bifano	E04B 1/765 52/101
D459,007	S	6/2002	Campacci	
6,470,638	B1 *	10/2002	Larson	E04B 1/765 52/254
D471,991	S *	3/2003	Maylon	D25/119
6,591,559	B2	7/2003	Contreras et al.	
6,609,341	B2	8/2003	Maylon et al.	
D503,227	S	3/2005	Rodolfo et al.	
D503,469	S	3/2005	Rodolfo et al.	
7,284,357	B2	10/2007	McInerney et al.	
7,634,883	B1	12/2009	Larson et al.	
7,757,450	B2	7/2010	Reyes et al.	
D656,603	S	3/2012	Egan et al.	
8,584,416	B2	11/2013	Chenier et al.	
D703,306	S	4/2014	Little et al.	
D703,307	S	4/2014	Little et al.	
8,869,491	B2 *	10/2014	Little	E04F 13/06 52/255
8,875,468	B2	11/2014	Dhinjan	
8,910,437	B2	12/2014	Robertson	
9,303,413	B2	4/2016	Koenig, Jr. et al.	
D761,971	S *	7/2016	Apanovich	D25/119
D762,310	S *	7/2016	Apanovich	D25/119
D767,111	S *	9/2016	Glick, Jr.	D23/386
2007/0062137	A1	3/2007	Maylon	
2012/0110936	A1	5/2012	Egan et al.	

FOREIGN PATENT DOCUMENTS

CA	107604	S	12/2005
CA	107605	S	12/2005
CA	107606	S	12/2005
CA	107607	S	12/2005
CA	2816036	A1	5/2012
CA	158042	S	6/2015
EP	0473393	A1	3/1992
WO	WO 2007/012897	A1	2/2007
WO	WO 2014/023620	A1	2/2014

OTHER PUBLICATIONS

“#15 Double-V Control Joint,” ClarkDietrich, 2015, 1 pg. downloaded Jan. 28, 2016 from <http://www.clarkdietrich.com/products/metal-expansion-control-joints/15-double-v-control-joint>.
 “#15 Zinc Double-V Control Joint,” ClarkDietrich, 2015, 1 pg. downloaded Jan. 28, 2016 from <http://www.clarkdietrich.com/products/zinc-expansion-control-joints/15-zinc-double-v-control-joint>.
 “#30 Corner Master™ Control Joint,” ClarkDietrich, 2015, 1 pg. downloaded Jan. 29, 2016 from <http://www.clarkdietrich.com/products/metal-expansion-control-joints/30-corner-master-control-joint>.
 “#40 Two-Piece Expansion Joint,” ClarkDietrich, 2015, 1 pg. downloaded Jan. 28, 2016 from <http://www.clarkdietrich.com/products/metal-expansion-control-joints/40-two-piece-expansion-joint>.
 “#40 Zinc Two-Piece Expansion Joint,” ClarkDietrich, 2015, 1 pg. downloaded Jan. 29, 2016 from <http://www.clarkdietrich.com/products/zinc-expansion-control-joints/40-zinc-two-piece-expansion-joint>.
 “#XJ15 Double-J Control Joint,” ClarkDietrich, 2015, 1 pg. downloaded Jan. 28, 2016 from <http://www.clarkdietrich.com/products/metal-expansion-control-joints/xj15-double-j-control-joint>.
 “#XJ15 Zinc Double-J Control Joint,” ClarkDietrich, 2015, 1 pg. downloaded Jan. 28, 2016 from <http://www.clarkdietrich.com/products/zinc-expansion-control-joints/xj15-zinc-double-j-control-joint>.

““F” Control (Perforated Flanges),” Vinyl Corp., 2015, 1 pg. downloaded Jan. 28, 2016 from <http://www.vinylcorp.com/products/drywall-veneer/control-joints/f-control-joints-perforated-flanges>.
 ““F” Control Joints (Unperforated Flanges),” Vinyl Corp., 2015, 1 pg. downloaded Jan. 28, 2016 from <http://www.vinylcorp.com/products/drywall-veneer/control-joints/f-control-joints-unperforated-flanges>.
 “BlazeFrame (CJB): “CJB” (Control Joint Backer),” Product Submittal Sheet, ClarkDietrich, May 30, 2014, 1 pg.
 “Control Joints & Reveal Combinations,” Vinyl Corp., 2015, 2 pgs. downloaded Jan. 28, 2016 from <http://www.vinylcorp.com/products/stucco-plaster/control-joints/control-joints-reveal-combinations>.
 “Control Joints (Perforated Flanges),” Vinyl Corp., 2015, 1 pg. downloaded Jan. 28, 2016 from <http://www.vinylcorp.com/products/drywall-veneer/control-joints/control-joints-perforated-flanges>.
 “Control Joints (Surface Application with Removable Tape),” Vinyl Corp., 2015, 1 pg. downloaded Jan. 28, 2016 from <http://www.vinylcorp.com/products/drywall-veneer/control-joints/control-joints-surface-application-removable-tape>.
 “Control Joints (Unperforated Flanges),” Vinyl Corp., 2015, 1 pg. downloaded Jan. 28, 2016 from <http://www.vinylcorp.com/products/drywall-veneer/control-joints/control-joints-unperforated-flanges>.
 “Control Joints (with removable tape),” Vinyl Corp., 2015, 1 pg. downloaded Jan. 28, 2016 from <http://www.vinylcorp.com/products/stucco-plaster/control-joints/control-joints-removable-tape>.
 “Control Joints,” Vinyl Corp., 2015, 1 pg. downloaded Jan. 28, 2016 from <http://www.vinylcorp.com/products/stucco-plaster/control-joints/control-joints>.
 “Corner Control Joints (with Removable Tape),” Vinyl Corp., 2015, 1 pg. downloaded Jan. 28, 2016 from <http://www.vinylcorp.com/products/stucco-plaster/control-joints/corner-control-joints-removable-tape>.
 “Corner Expansion Joints,” Vinyl Corp., 2015, 1 pg. downloaded Jan. 28, 2016 from <http://www.vinylcorp.com/products/stucco-plaster/miscellaneous-accessories/corner-expansion-joints>.
 “DEFS “F” Control Joints (w-Removable Tape),” Vinyl Corp., 2015, 1 pg. downloaded Jan. 28, 2016 from <http://www.vinylcorp.com/products/eifs-defs/defs-control-joints/defs-f-control-joints-w-removable-tape>.
 “DEFS Control Joints (w-Removable Tape),” Vinyl Corp., 2015, 1 pg. downloaded Jan. 28, 2016 from <http://www.vinylcorp.com/products/eifs-defs/defs-control-joints/defs-control-joints-w-removable-tape>.
 “DS15 Drip,” Vinyl Corp., 2015, 1 pg. downloaded Feb. 17, 2016 from <http://www.vinylcorp.com/products/stucco-plaster/miscellaneous-accessories/angle-clips>.
 “DX Expansion Joint,” Vinyl Corp., 2015, 1 pg. downloaded Jan. 28, 2016 from <http://www.vinylcorp.com/products/drywall-veneer/miscellaneous-accessories/dx-expansion-joint>.
 “Expansion Joints (Slip Joint),” Vinyl Corp., 2015, 1 pg. downloaded Jan. 28, 2016 from <http://www.vinylcorp.com/products/stucco-plaster/expansion-joints/expansion-joints-slip-joint>.
 “F Control Joints (with removable tape),” Vinyl Corp., 2015, 1 pg. downloaded Jan. 28, 2016 from <http://www.vinylcorp.com/products/stucco-plaster/control-joints/f-control-joints-removable-tape>.
 “Female & Male Casing Expansion Joint Components,” Vinyl Corp., 2015, 2 pgs. downloaded Jan. 28, 2016 from <http://www.vinylcorp.com/products/stucco-plaster/miscellaneous-accessories/female-male-casing-expansion-joint-components>.
 “Female Casing Expansion Joint,” ClarkDietrich, 2015, 1 pg. downloaded Jan. 29, 2016 from <http://www.clarkdietrich.com/products/vinyl-expansion-control-joints/female-casing-expansion-joint>.
 “Inside Corner Control Joints,” Vinyl Corp., 2015, 1 pg. downloaded Jan. 28, 2016 from <http://www.vinylcorp.com/products/stucco-plaster/control-joints/inside-corner-control-joints>.
 “Installation Between Tees,” Vinyl Corp., 2015, 1 pg. downloaded Jan. 28, 2016 from <http://www.vinylcorp.com/products/acoustical-ceiling/vce-expansion-joints/installation-between-tees>.

(56)

References Cited

OTHER PUBLICATIONS

“Installation Between Wall & Tees,” Vinyl Corp., 2015, 1 pg. downloaded Jan. 28, 2016 from <http://www.vinylcorp.com/products/acoustical-ceiling/vce-expansion-joints/installation-between-wall-tees>.

“Installation Drywall to Drywall,” Vinyl Corp., 2015, 1 pg. downloaded Jan. 28, 2016 from <http://www.vinylcorp.com/products/acoustical-ceiling/vce-expansion-joints/installation-drywall-dry-wall>.

“Installation on Wall to Drywall,” Vinyl Corp., 2015, 1 pg. downloaded Jan. 28, 2016 from <http://www.vinylcorp.com/products/acoustical-ceiling/vce-expansion-joints/installation-wall-drywall>.

“Male Casing Expansion Joint,” ClarkDietrich, 2015, 1 pg. downloaded Jan. 29, 2016 from <http://www.clarkdietrich.com/products/vinyl-expansion-control-joints/male-casing-expansion-joint>.

“Mid Wall Control Joints,” Vinyl Corp., 2015, 1 pg. downloaded Jan. 28, 2016 from <http://www.vinylcorp.com/products/stucco-plaster/control-joints/mid-wall-control-joints>.

“Mini Control Joints,” Vinyl Corp., 2015, 1 pg. downloaded Jan. 28, 2016 from <http://www.vinylcorp.com/products/stucco-plaster/control-joints/mini-control-joints>.

“PB Control Joint,” Vinyl Corp., 2015, 1 pg. downloaded Jan. 28, 2016 from <http://www.vinylcorp.com/products/eifs-defs/eifs-control-joints/pb-control-joint>.

“PM ‘F’ Control Joints (w-Removable Tape ¼" & ⅜" Finish),” Vinyl Corp., 2015, 1 pg. downloaded Jan. 28, 2016 from <http://www.vinylcorp.com/products/eifs-defs/eifs-control-joints/f-control-joints-w-removable-tape-14-38-finish>.

“PM Control Joint (⅜" Finish Systems),” Vinyl Corp., 2015, 1 pg. downloaded Jan. 28, 2016 from <http://www.vinylcorp.com/products/eifs-defs/eifs-control-joints/pm-control-joint-38-finish-systems>.

“PM Control Joints (Surface Application w-Removable Tape),” Vinyl Corp., 2015, 1 pg. downloaded Jan. 28, 2016 from <http://www.vinylcorp.com/products/eifs-defs/eifs-control-joints/pm-control-joint-surface-application-w-removable-tape>.

“Single V Hump Screed,” Vinyl Corp., 2015, 1 pg. downloaded Jan. 28, 2016 from <http://www.vinylcorp.com/products/stucco-plaster/control-joints/single-v-hump-screed>.

“Vinyl 093 Control Joint (VCJT),” ClarkDietrich, 2015, 1 pg. downloaded Jan. 28, 2016 from <http://www.clarkdietrich.com/products/vinyl-trims-and-finishing-products/vinyl-093-control-joint-vcjt>.

“Vinyl Control Joint W/Tape,” ClarkDietrich, 2015, 1 pg. downloaded Jan. 28, 2016 from <http://www.clarkdietrich.com/products/vinyl-expansion-control-joints/vinyl-control-joint-w-tape>.

“Vinyl Control Joint,” ClarkDietrich, 2015, 1 pg. downloaded Jan. 28, 2016 from <http://www.clarkdietrich.com/products/vinyl-expansion-control-joints/vinyl-control-joint>.

“Wide Expansion Joints (Slip Joint),” Vinyl Corp., 2015, 1 pg. downloaded Jan. 28, 2016 from <http://www.vinylcorp.com/products/stucco-plaster/expansion-joints/wide-expansion-joints-slip-joint>.

“Zinc Control Joints,” ClarkDietrich, 2015, 1 pg. downloaded Jan. 28, 2016 from <http://www.clarkdietrich.com/products/zinc-expansion-control-joints/zinc-control-joints>.

Design U.S. Appl. No. 29/537,809, filed Aug. 28, 2015.

US Office Action, Non-Final, dated Nov. 28, 2016 for U.S. Appl. No. 29/537,809, 19 pgs.

“BackerBead™,” Vinyl Corp., 2015, 1 pg., downloaded Dec. 6, 2016 from <http://www.vinylcorp.com/products/stucco-plaster/casing-beads/backerbead%E2%84%A2>.

* cited by examiner

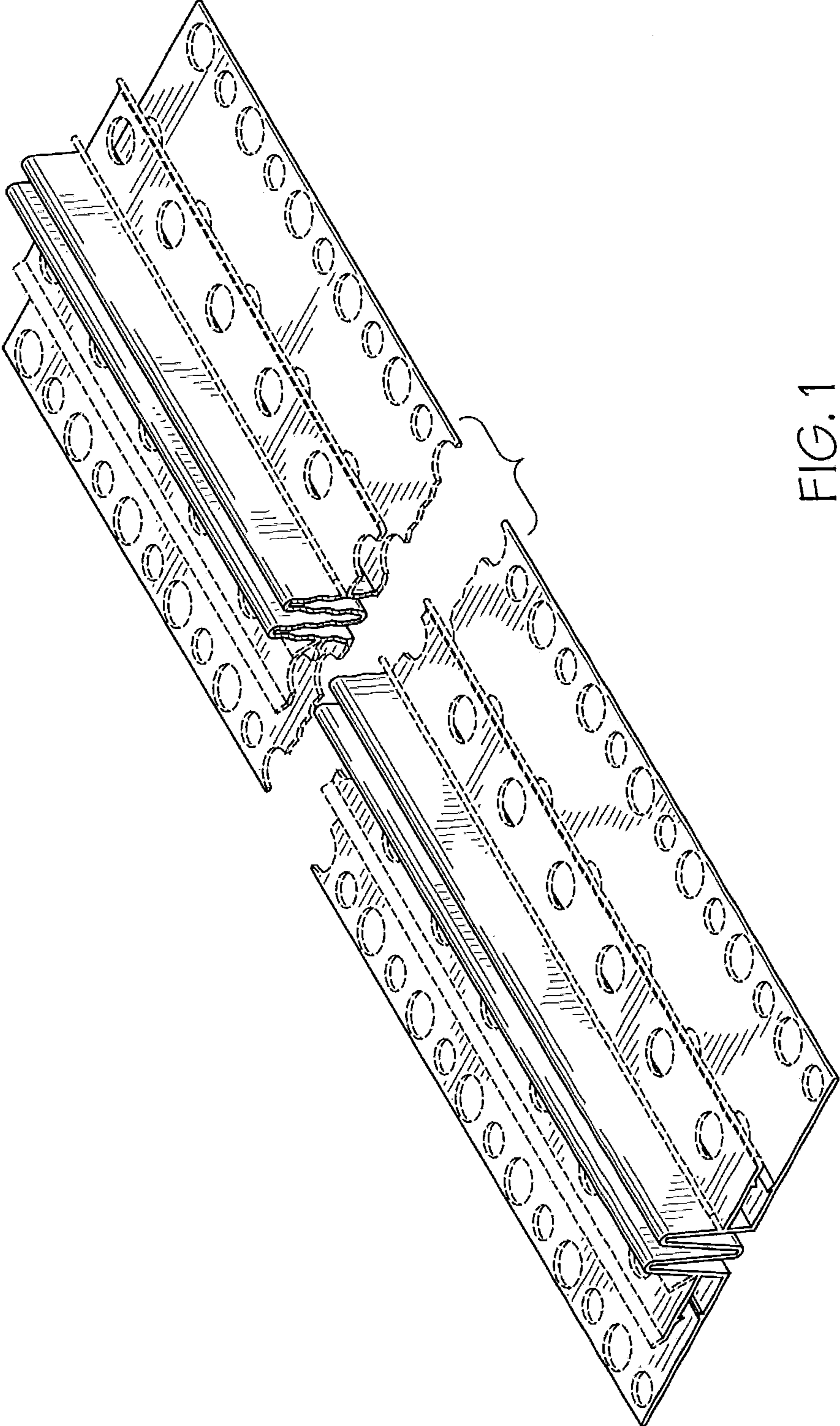


FIG. 1

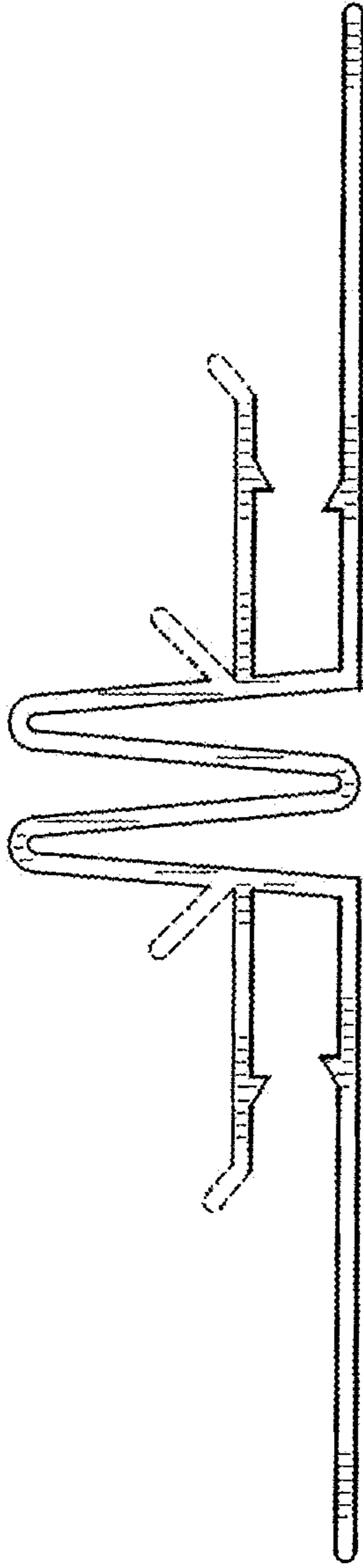


FIG. 2

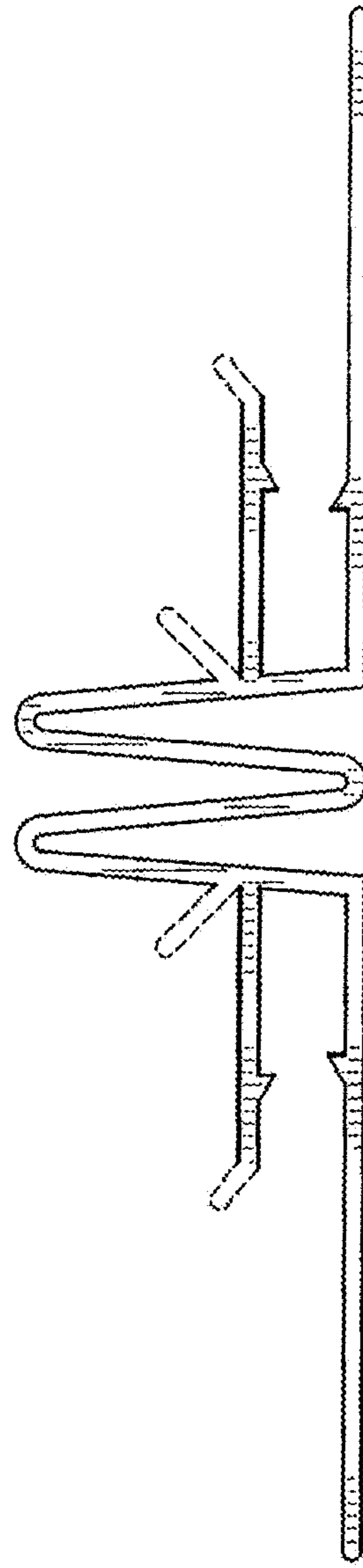


FIG. 3

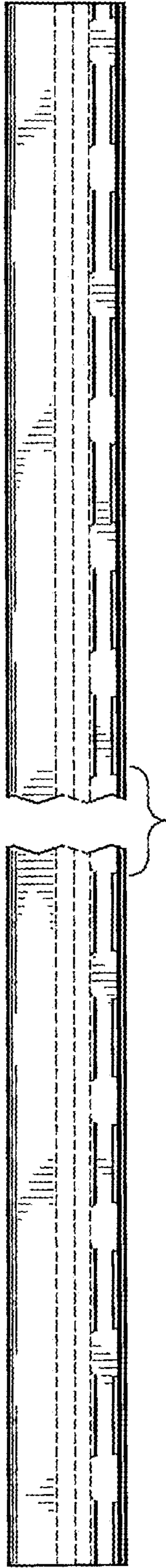


FIG. 4

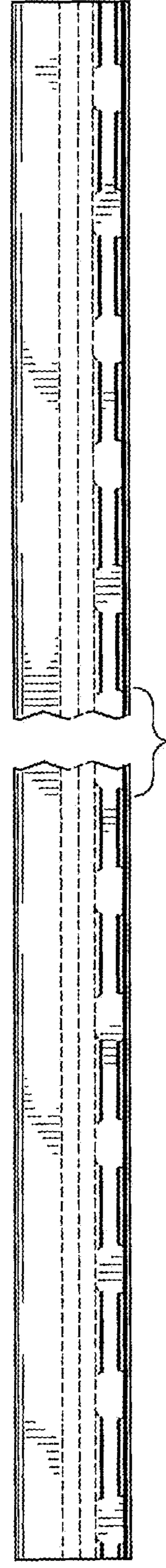


FIG. 5

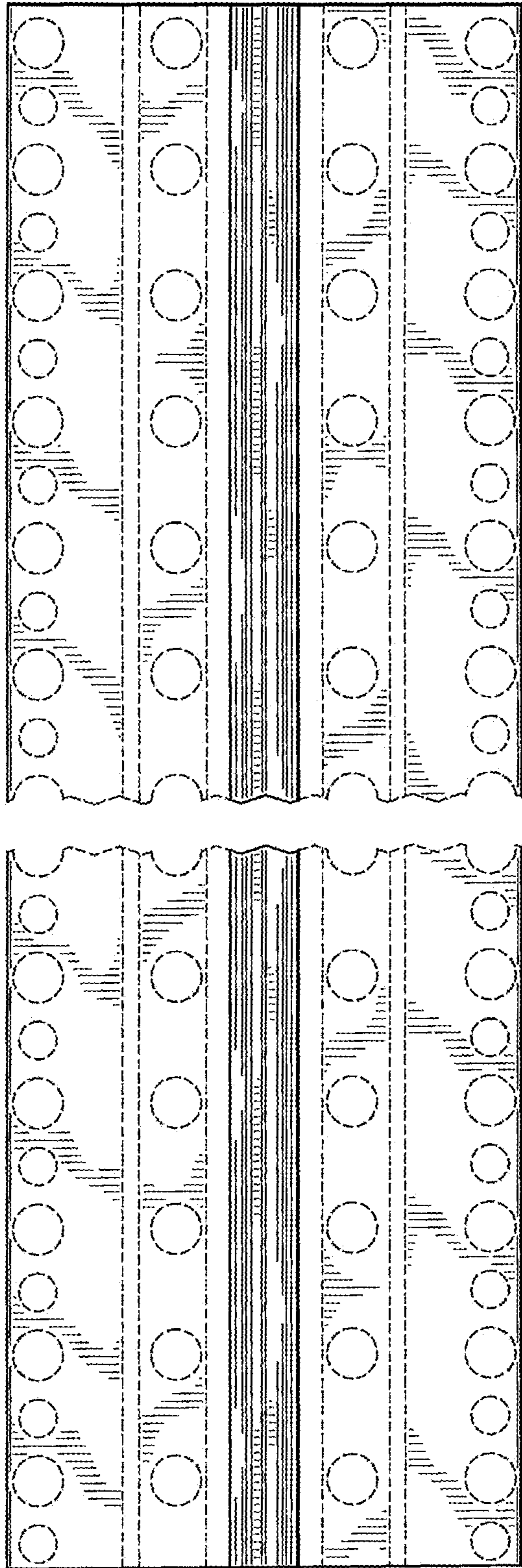


FIG. 6

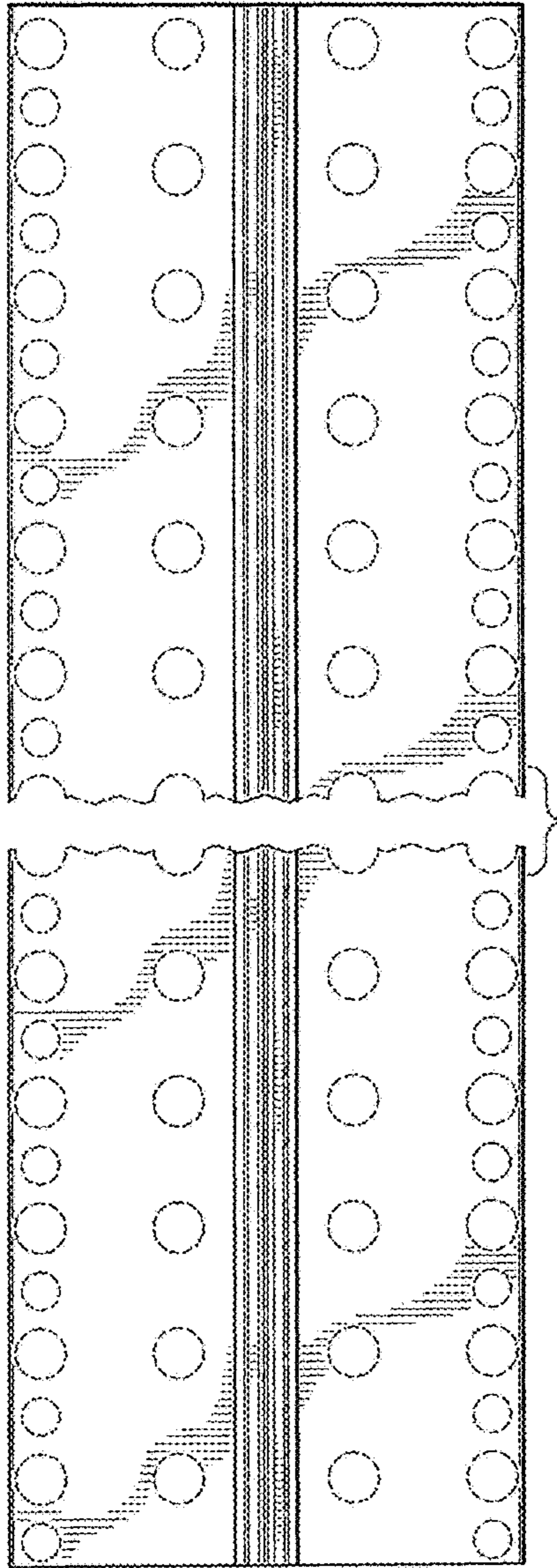


FIG. 7