



US00D792607S

(12) **United States Design Patent** (10) **Patent No.:** **US D792,607 S**
Penterman et al. (45) **Date of Patent:** **** Jul. 18, 2017**

(54) **CONNECTOR BLOCK FOR A GARDEN BED**

(71) Applicant: **OLDCASTLE BUILDING PRODUCTS CANADA INC.,**
Saint-John (CA)

(72) Inventors: **John Penterman, Montreal (CA);**
Oscar Quan Rosales, Montreal (CA)

(73) Assignee: **Oldcastle Building Products Canada Inc., Saint-John (CA)**

(**) Term: **15 Years**

(21) Appl. No.: **29/553,111**

(22) Filed: **Jan. 28, 2016**

(51) **LOC (10) Cl.** **25-01**

(52) **U.S. Cl.**
USPC **D25/113**

(58) **Field of Classification Search**
USPC D25/61, 113-118, 131, 133, 134;
D8/349; 52/604; D21/386, 389, 404,
D21/468, 470, 471, 484-505
CPC E01C 2201/02; E01C 5/06; E01C 2201/06;
E01C 2201/12; E01C 9/004; B44C 1/28;
E04B 2002/0267; E04C 1/395

See application file for complete search history.

(56) **References Cited**

U.S. PATENT DOCUMENTS

2,794,375	A	6/1957	Di Falco et al.
3,362,739	A	1/1968	Staeger et al.
D235,570	S	6/1975	Barton et al.
4,193,584	A	3/1980	Wieser
4,470,647	A	9/1984	Bishoff et al.
D298,464	S	11/1988	Roote
5,806,249	A	9/1998	Helms
D404,146	S	1/1999	Perkins
6,345,474	B1	2/2002	Triplett
6,543,969	B1	4/2003	Adam
6,944,998	B1	9/2005	King

D641,804	S	*	7/2011	Kichijo	D21/485
D716,879	S	*	11/2014	Norman	D21/486
8,904,706	B1		12/2014	Smith		
D759,980	S	*	6/2016	Toth	D6/300
D763,067	S	*	8/2016	Monsees	D8/382
2001/0032427	A1		10/2001	Hoffman et al.		
2005/0050823	A1		3/2005	Whitson		
2008/0120905	A1		5/2008	Pai		
2009/0001197	A1		1/2009	Dilday		
2011/0265399	A1		11/2011	Hahn		
2013/0081326	A1		4/2013	Peterson		
2014/0290136	A1		10/2014	Vaughn et al.		

FOREIGN PATENT DOCUMENTS

CA	2418462	A1	8/2004
CA	2793252	A1	4/2013
CA	157888		3/2015

* cited by examiner

Primary Examiner — Garth Rademaker

Assistant Examiner — Samantha Q Lawrence

(74) *Attorney, Agent, or Firm* — Price Heneveld LLP

(57) **CLAIM**

The ornamental design for a connector block for a garden bed, as shown and described.

DESCRIPTION

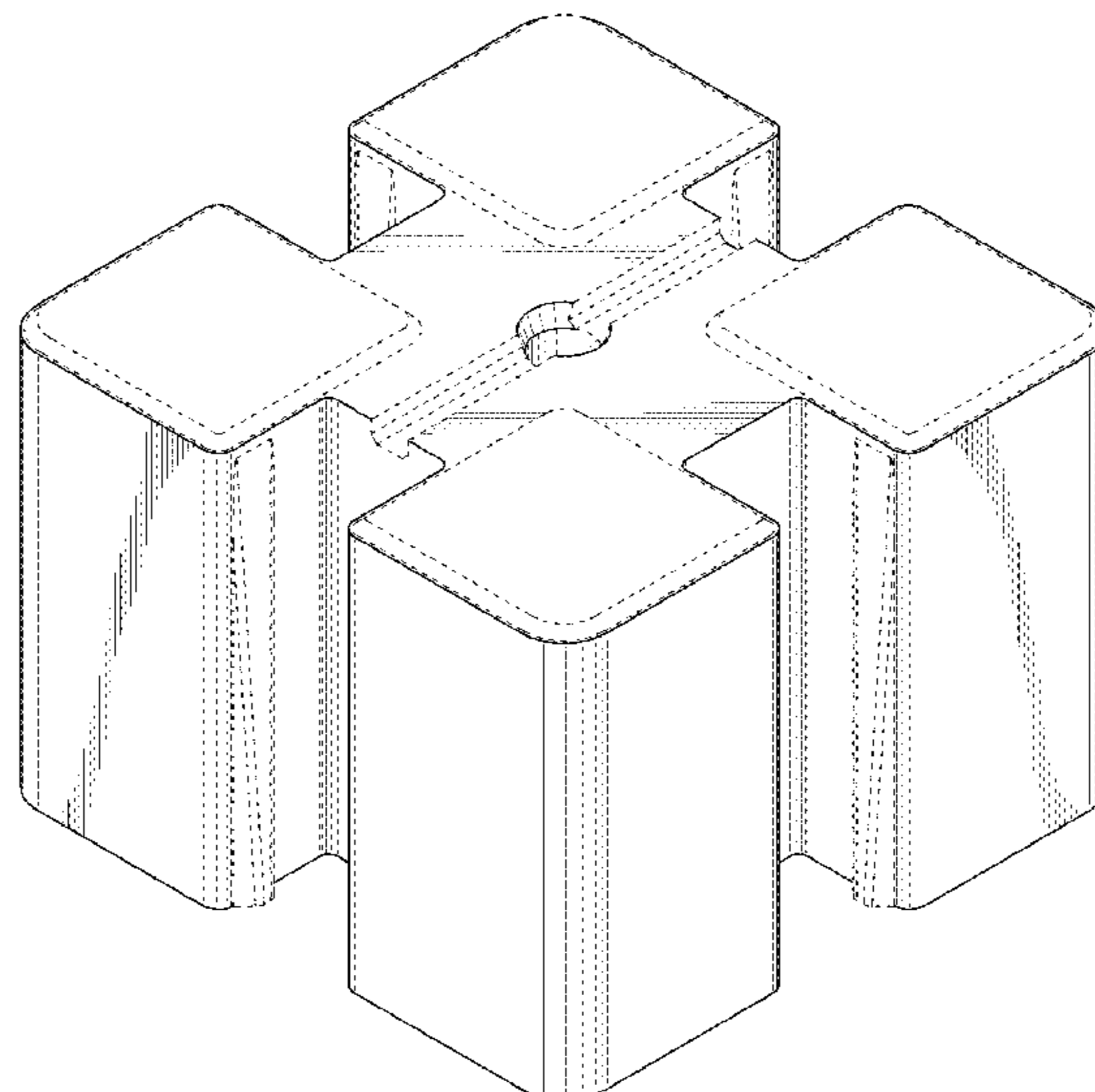
FIG. 1 is a front perspective view of a connector block for a garden bed;

FIG. 2 is a right side view of the connector block for a garden bed, the left side view being a mirror image thereof; FIG. 3 is a top view of the connector block for a garden bed; and,

FIG. 4 is a bottom view of the connector block for a garden bed.

The broken lines shown in FIGS. 1-4 illustrate portions of the connector block for a garden bed that form no part of the claimed design.

1 Claim, 4 Drawing Sheets



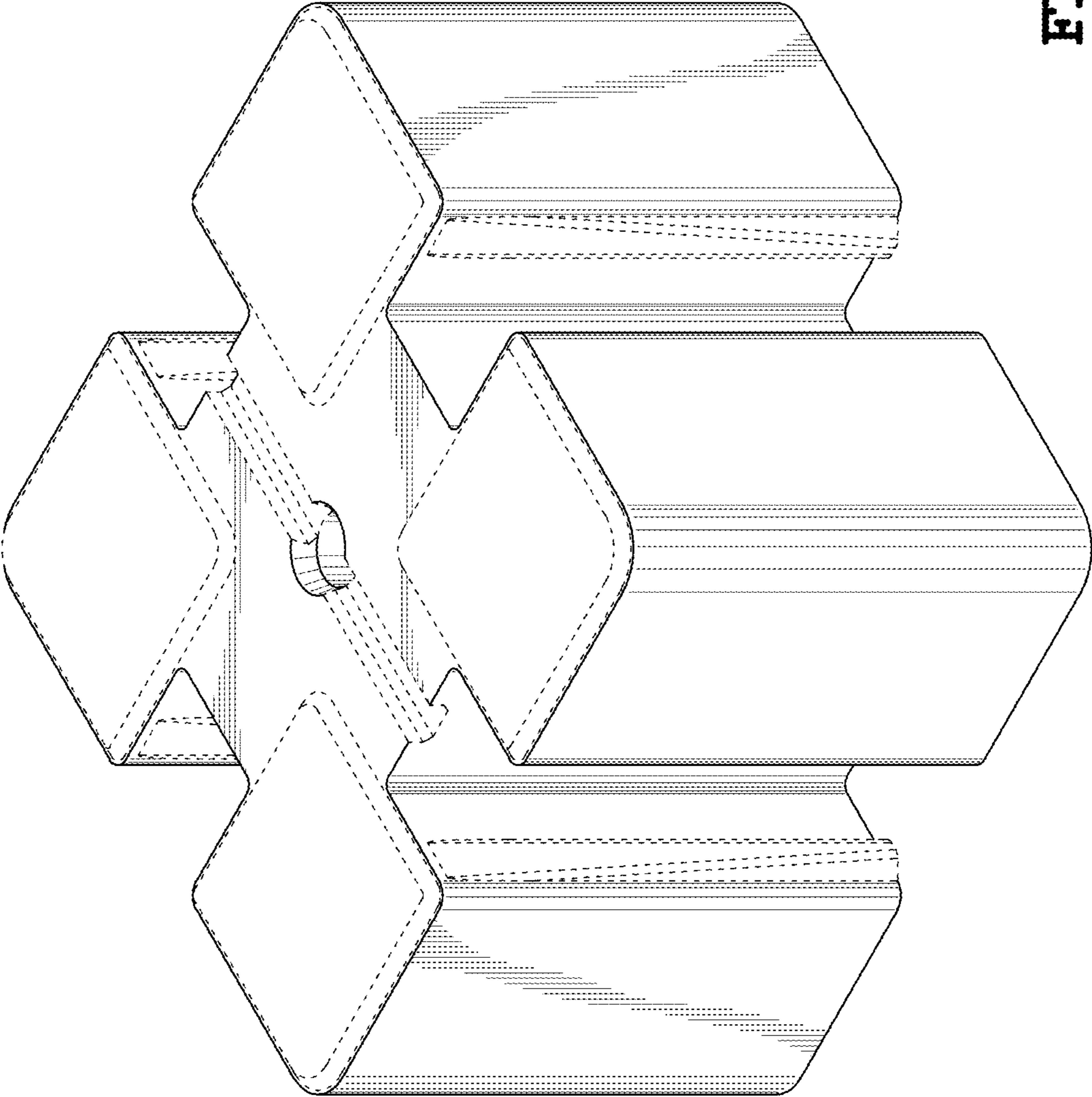


FIG. 1

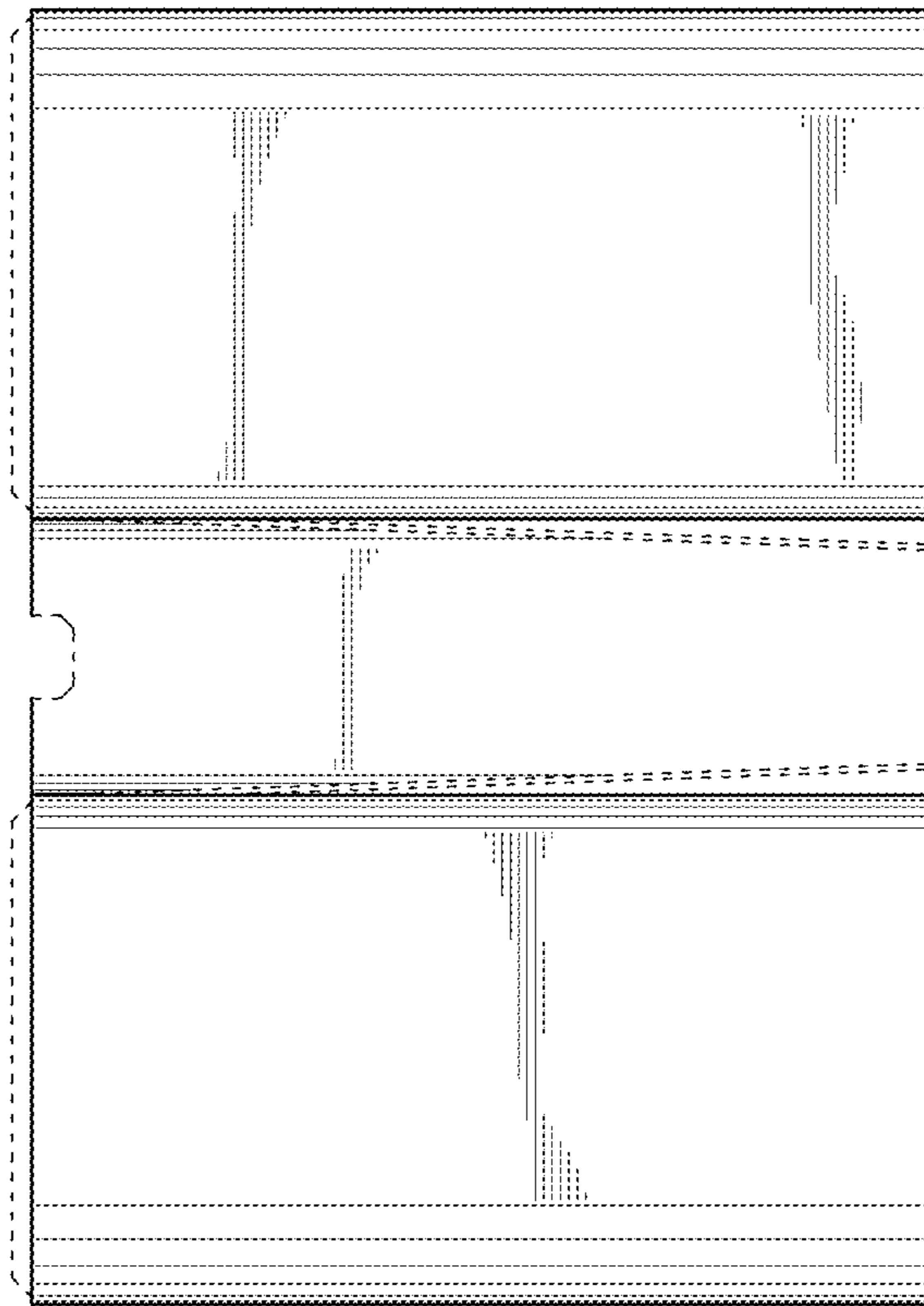


FIG. 2

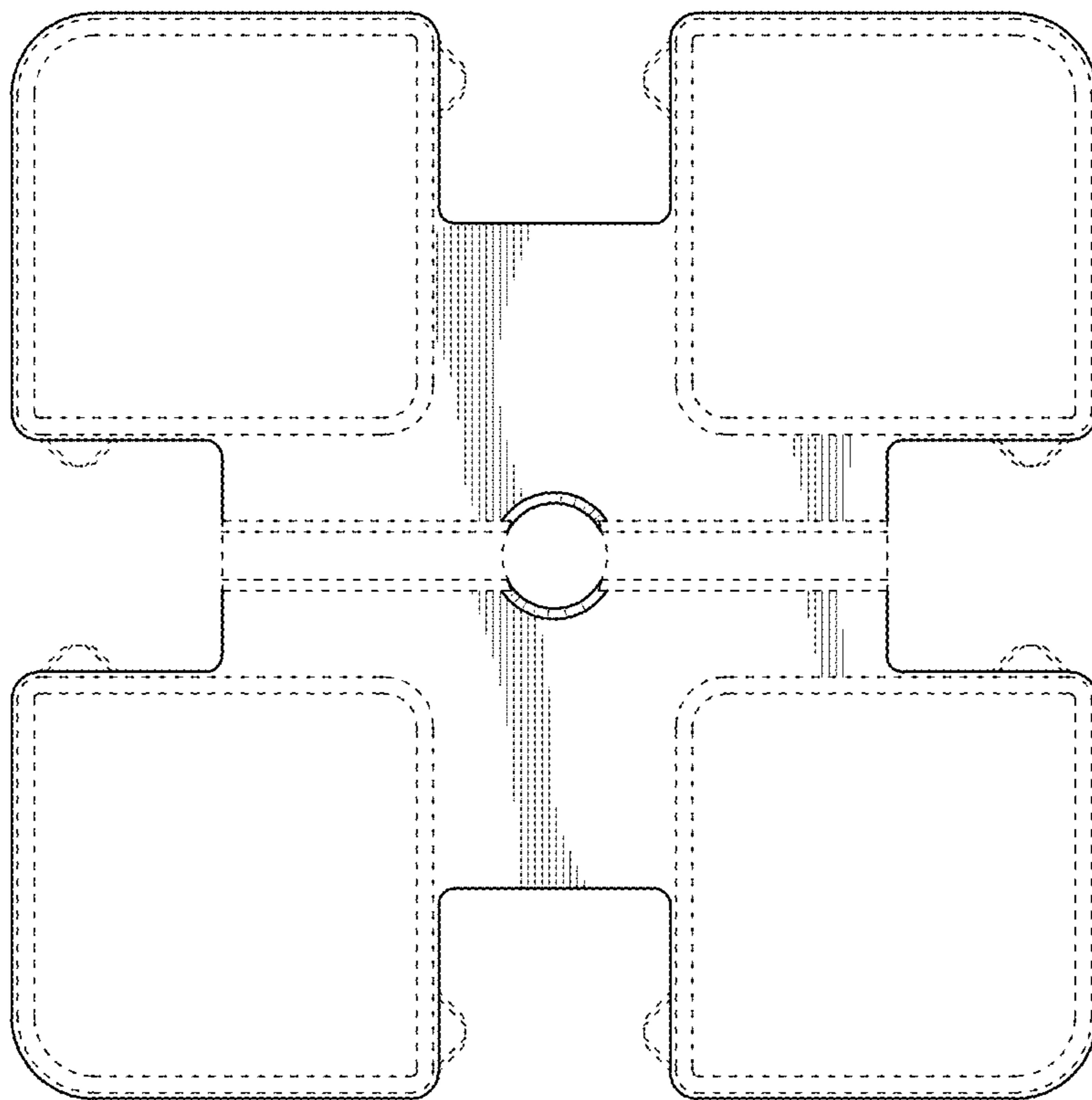


FIG. 3

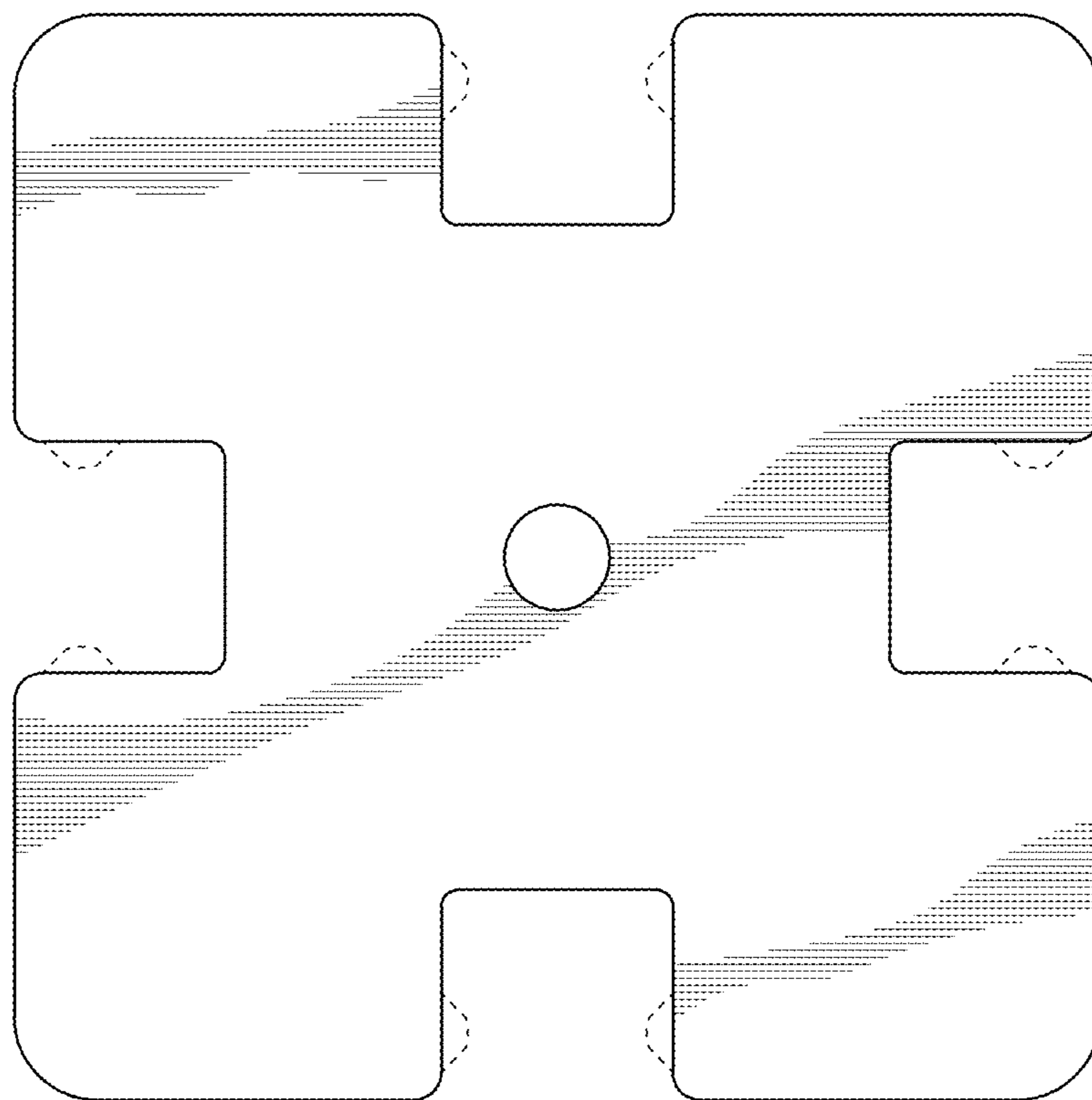


FIG. 4