



US00D792605S

(12) **United States Design Patent** (10) **Patent No.:** **US D792,605 S**
Pokupec (45) **Date of Patent:** **** Jul. 18, 2017**

(54) **CABINET**

(71) Applicant: **SP-TOOL GMBH**, St. Georgen (DE)

(72) Inventor: **Boris Pokupec**, St. Georgen (DE)

(73) Assignee: **SP-TOOL GMBH**, St. Georgen (DE)

(**) Term: **15 Years**

(21) Appl. No.: **35/500,219**

(22) Filed: **Jul. 14, 2015**

(80) **Hague Agreement Data**

Int. Filing Date: **Jul. 14, 2015**

Int. Reg. No.: **DM/087780**

Int. Reg. Date: **Jul. 14, 2015**

Int. Reg. Pub. Date: **Oct. 23, 2015**

(51) **LOC (10) Cl.** **25-02**

(52) **U.S. Cl.**
USPC **D25/58**
CPC **E04H 3/04** (2013.01)

(58) **Field of Classification Search**
USPC D25/36, 58, 59, 555; 52/34, 36.1-36.2,
52/79.1, 234; 312/107-111, 140.1,
312/198-203, 228, 236, 237
CPC . E04H 3/04; E04H 1/1272; A47F 9/00; A47F
9/04; A47F 10/02
See application file for complete search history.

(56) **References Cited**

U.S. PATENT DOCUMENTS

- 3,708,709 A * 1/1973 Morrison A47B 88/20
206/561
- 4,288,948 A * 9/1981 Harris E04H 3/04
52/28
- 4,360,991 A * 11/1982 West E04B 2/7416
312/286

(Continued)

Primary Examiner — Richard E Chilcot

(74) *Attorney, Agent, or Firm* — Muirhead and Saturnelli, LLC

(57) **CLAIM**

The ornamental design for cabinet, as shown and described.

DESCRIPTION

The file of this patent contains at least one color drawing/ photograph executed in color. Copies of this patent with color drawing(s)/photograph(s) will be provided by the Office upon request and payment of the necessary fee.

1.-4. Cabinet

1.1 : Front

1.2 : Right

1.3 : Perspective

1.4 : Perspective

1.5 : Perspective

1.6 : Perspective

1.7 : Top

2.1 : Front

2.2 : Back

2.3 : Right

2.4 : Perspective

2.5 : Perspective

2.6 : Perspective

2.7 : Top

3.1 : Perspective

3.2 : Perspective

3.3 : Front

3.4 : Perspective

3.5 : Perspective

3.6 : Perspective

4.1 : Front

4.2 : Perspective

4.3 : Perspective

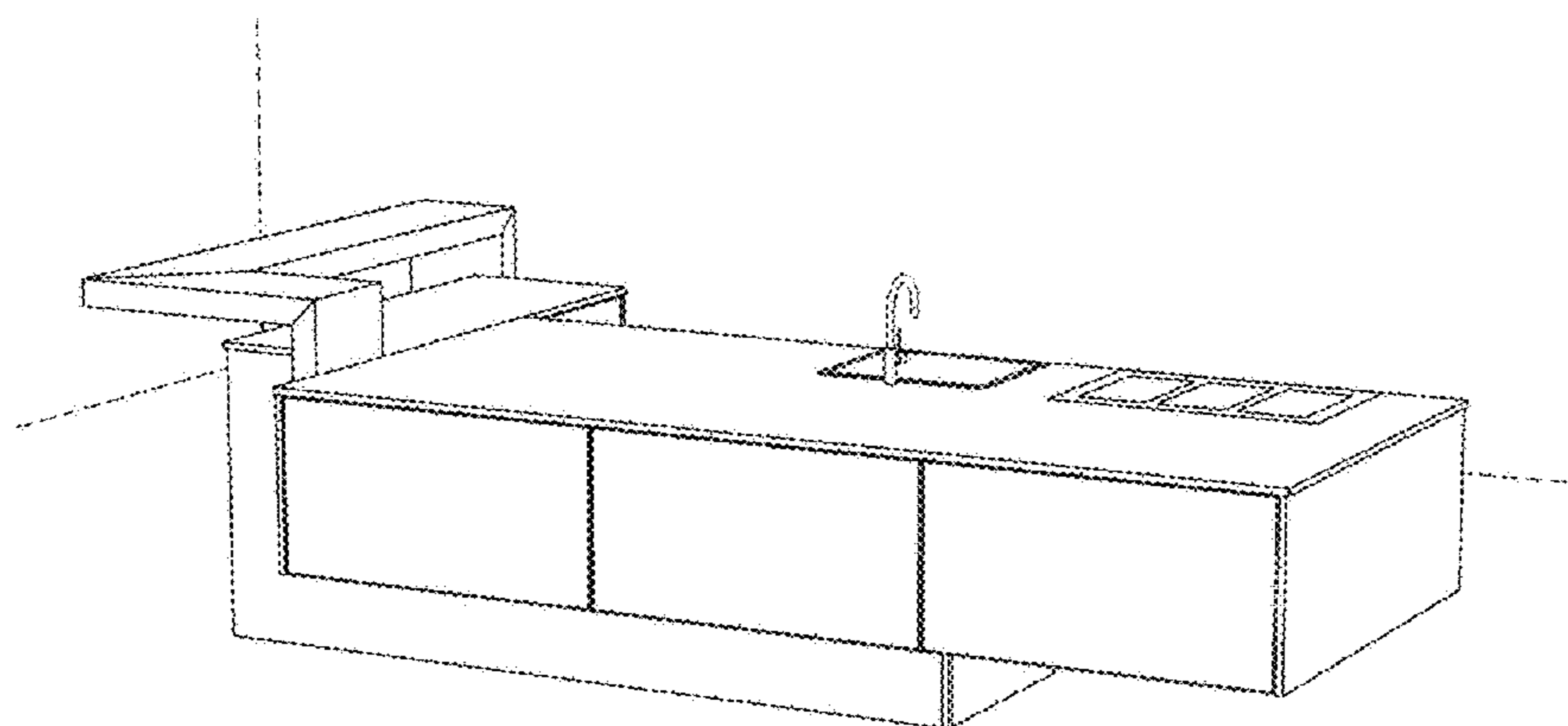
4.4 : Perspective

4.5 : Perspective

4.6 : Perspective

The broken lines shown in the drawings illustrate portions of environmental structure and form no part of the claimed design.

1 Claim, 26 Drawing Sheets
(12 of 26 Drawing Sheet(s) Filed in Color)



(56)

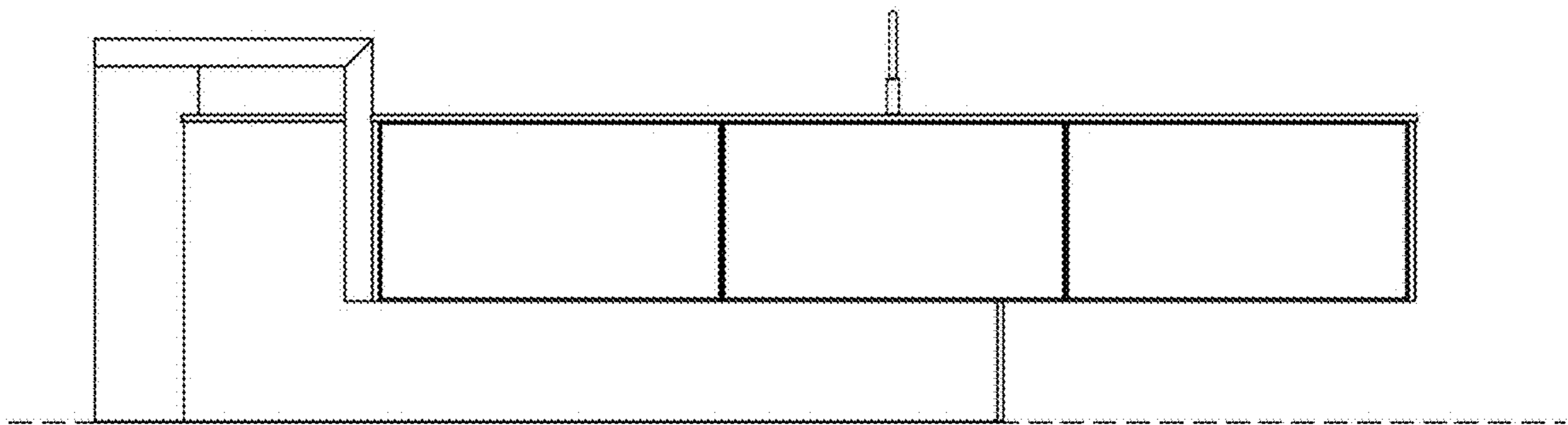
References Cited

U.S. PATENT DOCUMENTS

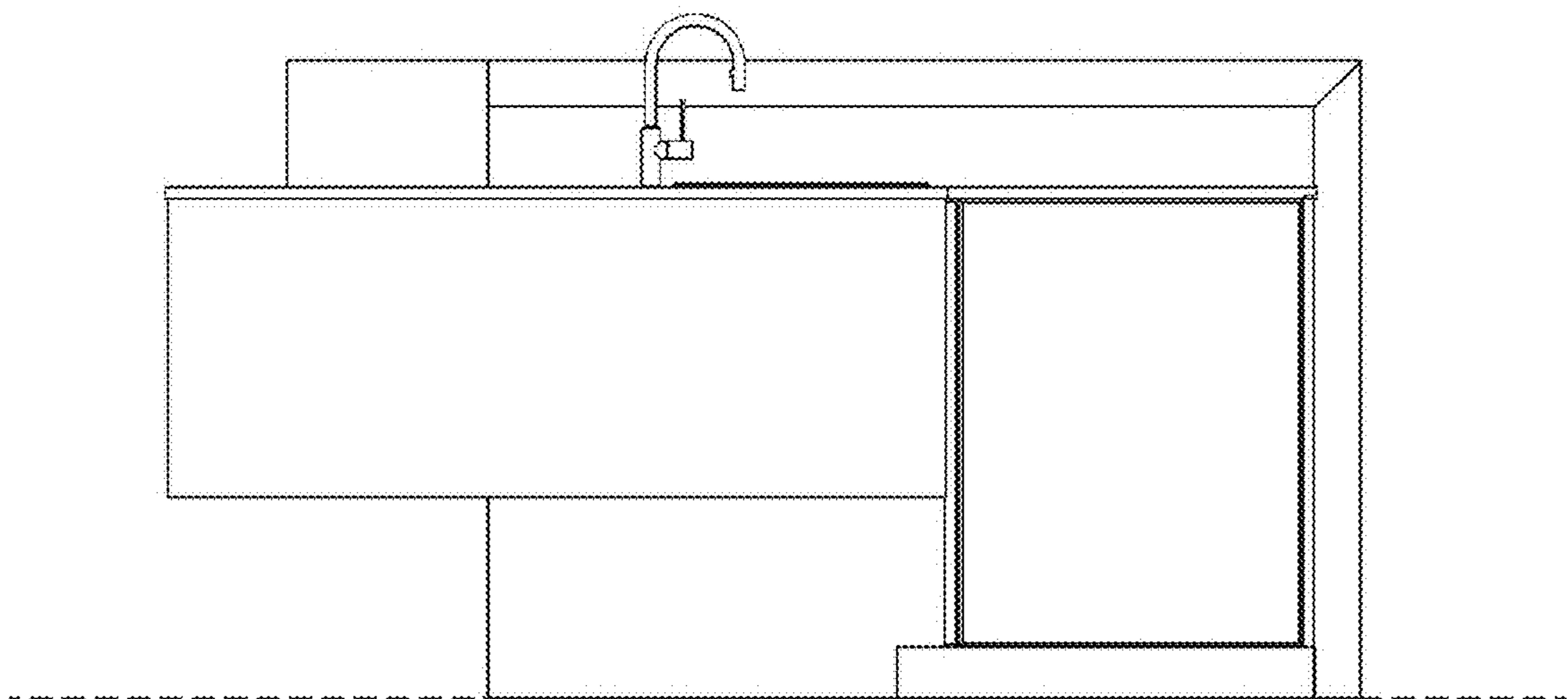
D290,658 S * 6/1987 Bianchin Scarpa D25/58
4,832,208 A * 5/1989 Finnegan A47B 97/00
206/564
D340,533 S * 10/1993 Beaulieu D25/58
D395,521 S * 6/1998 De Leu D25/58
D397,561 S * 9/1998 DePottey D25/58
D473,952 S * 4/2003 Smith D25/58
D674,114 S * 1/2013 Van De Ven D25/58
D687,170 S * 7/2013 Kovalchick D25/126
D694,426 S * 11/2013 Eckert D25/35
D694,427 S * 11/2013 Eckert D25/35
D694,428 S * 11/2013 Eckert D25/35
D694,912 S * 12/2013 Eckert D25/35

* cited by examiner

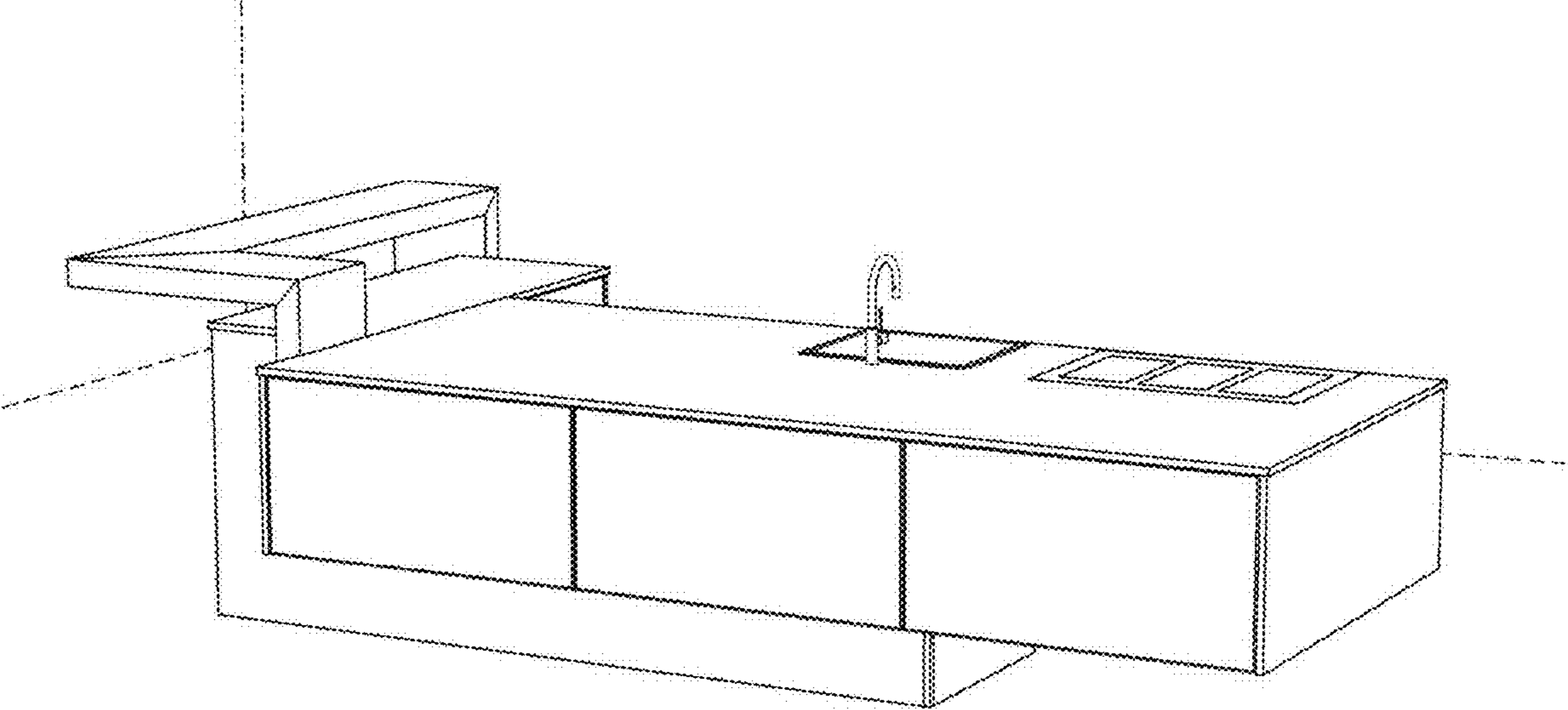
1.1



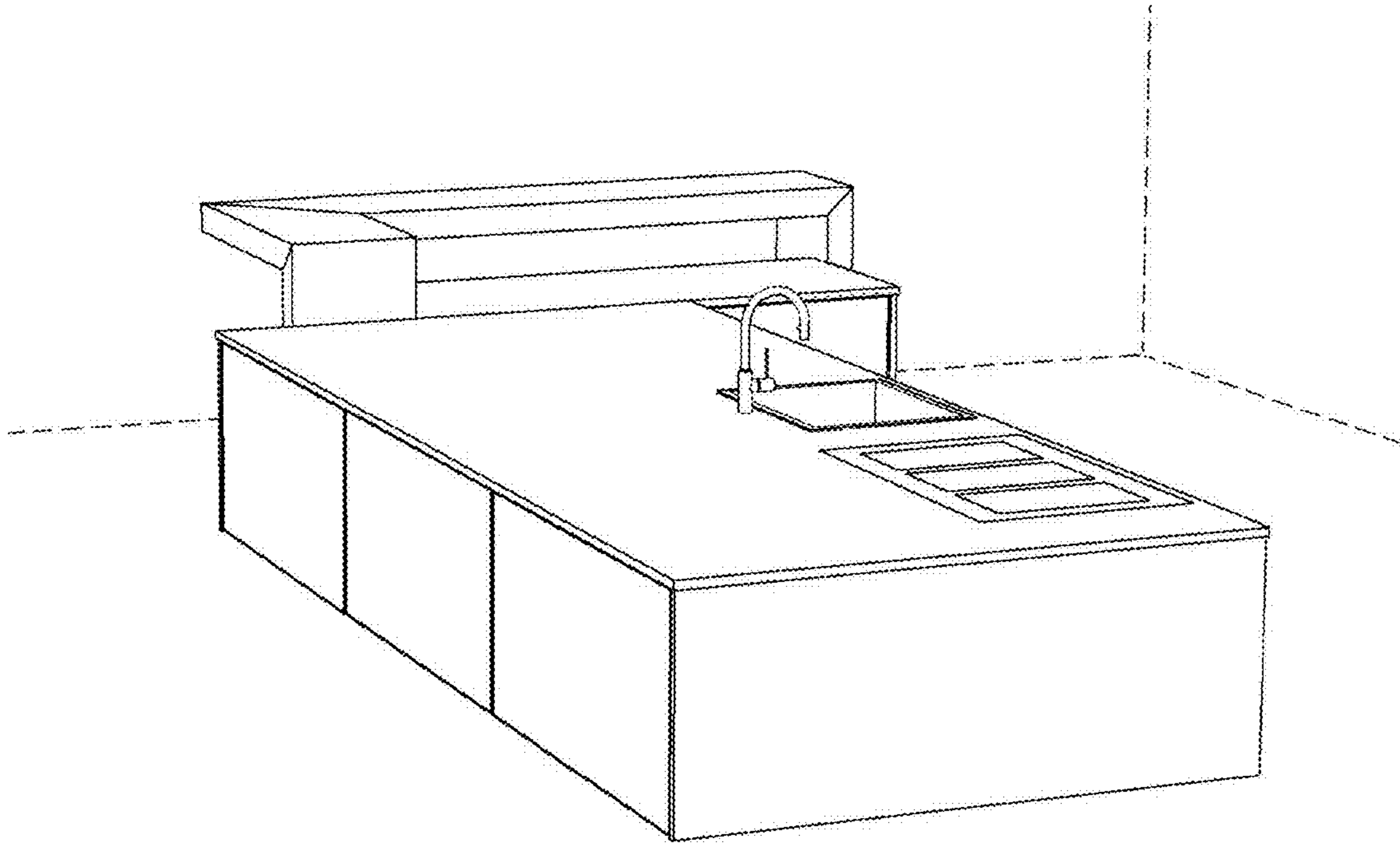
1.2



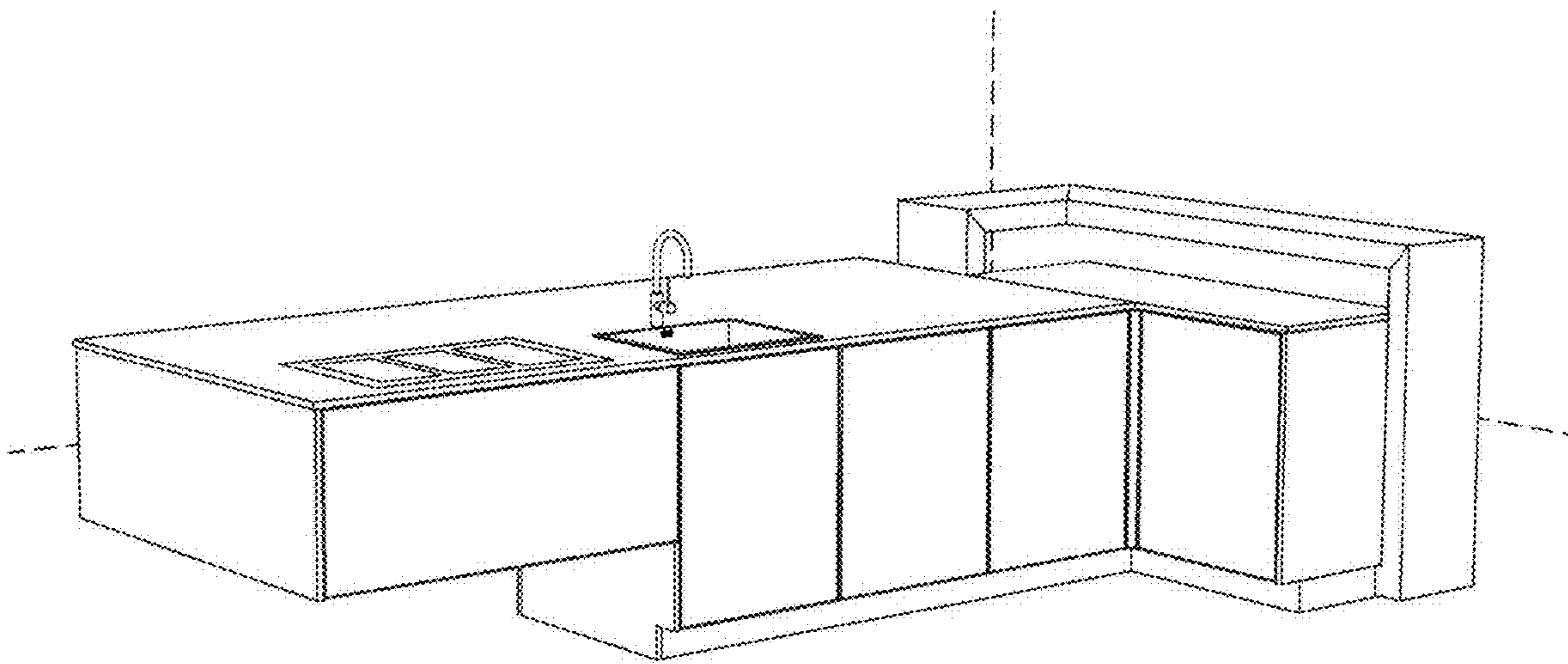
1.3



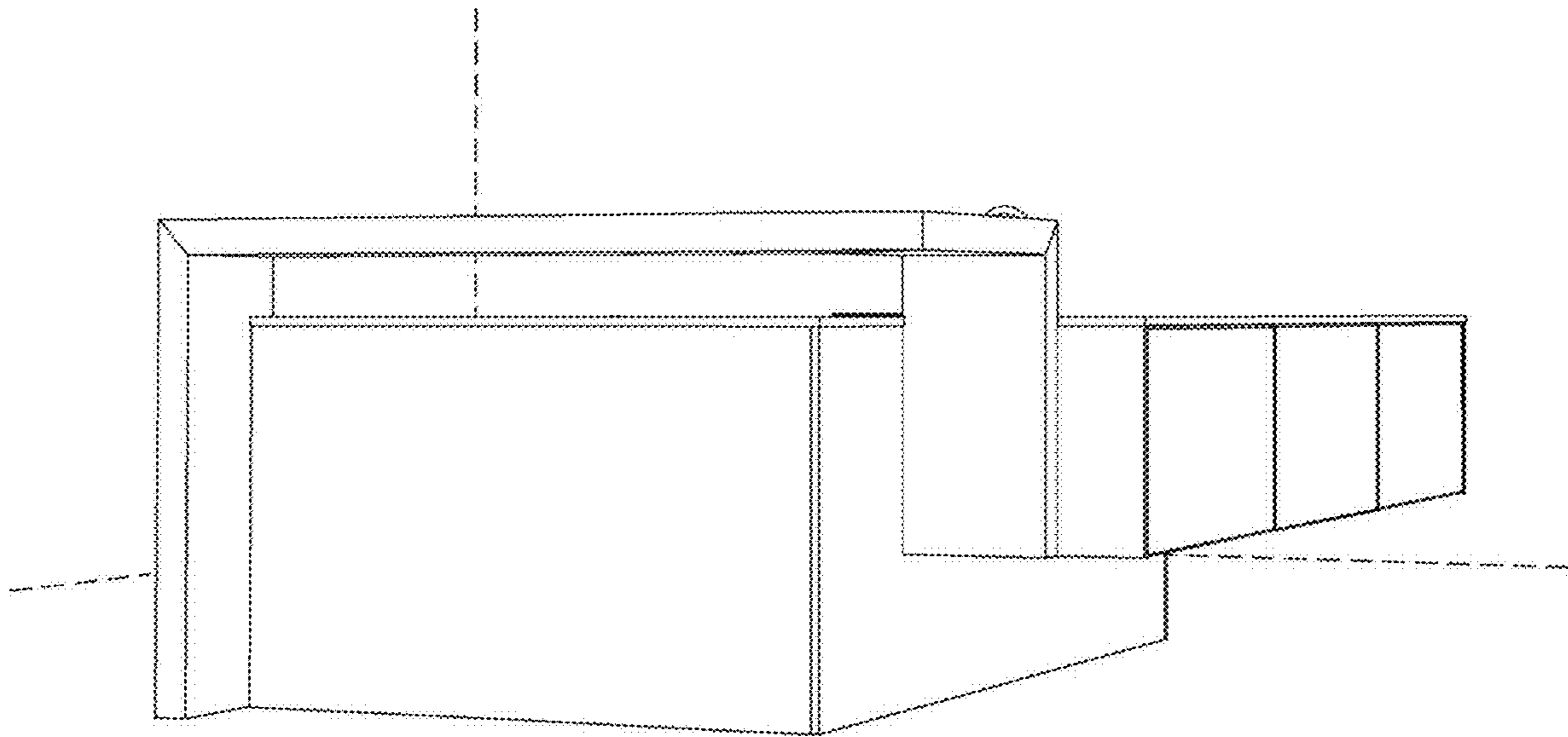
1.4



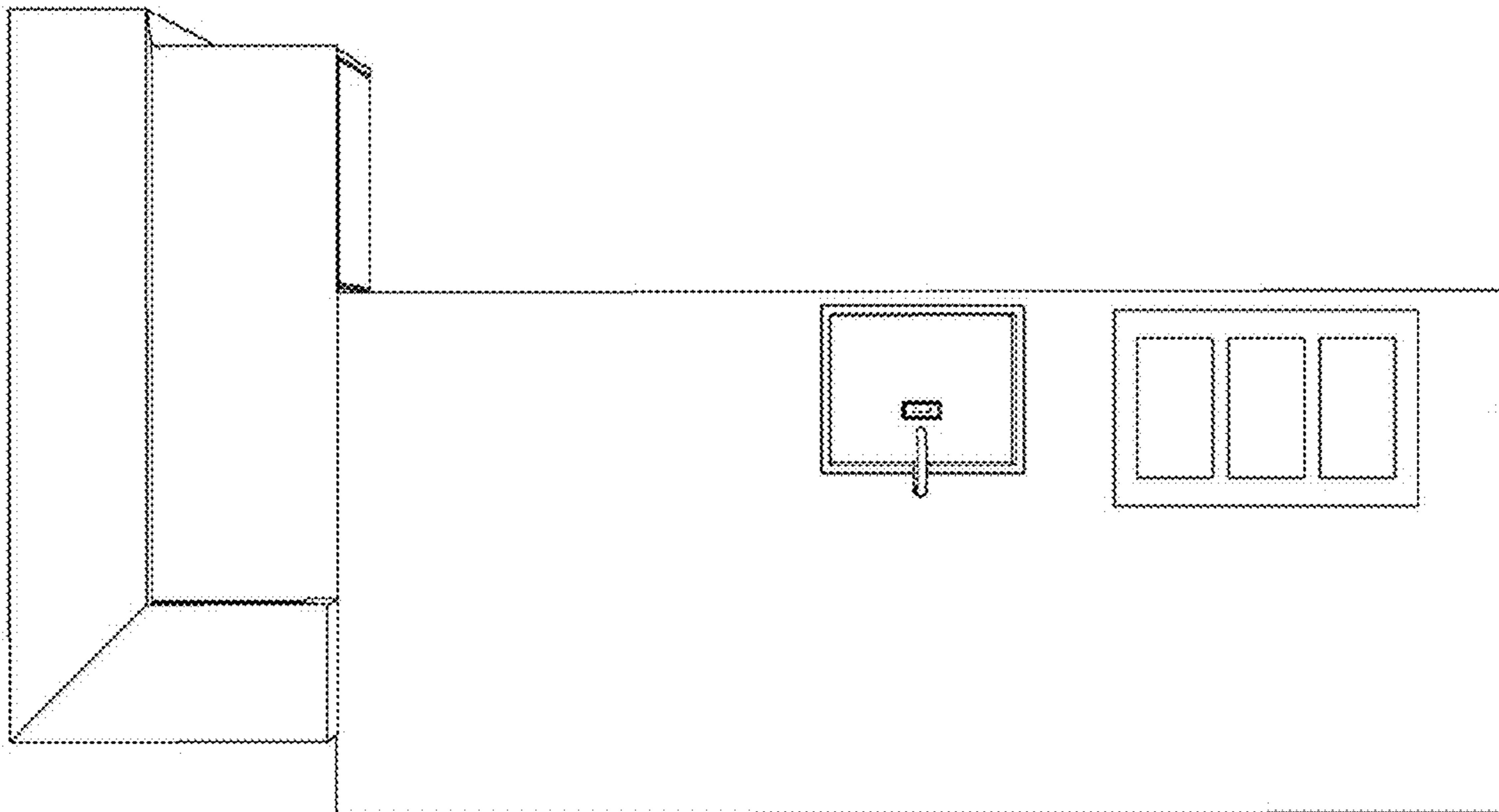
1.5



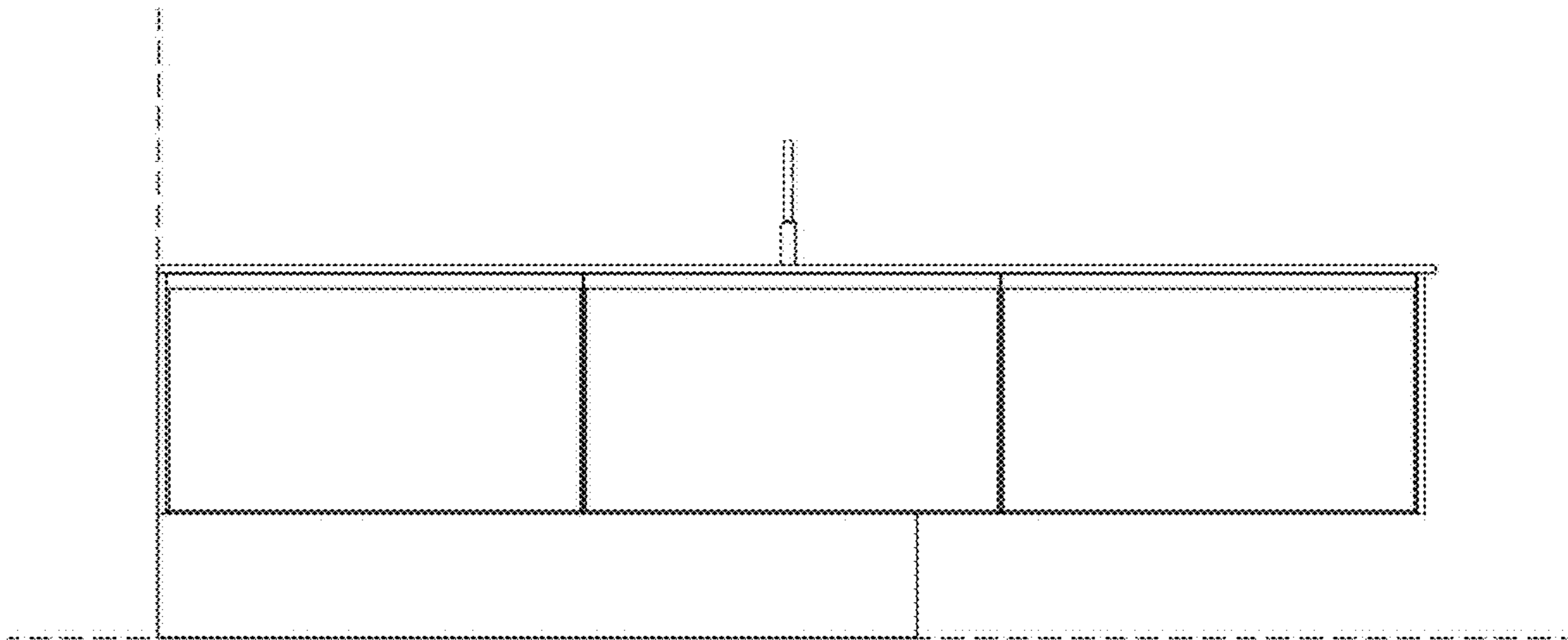
1.6



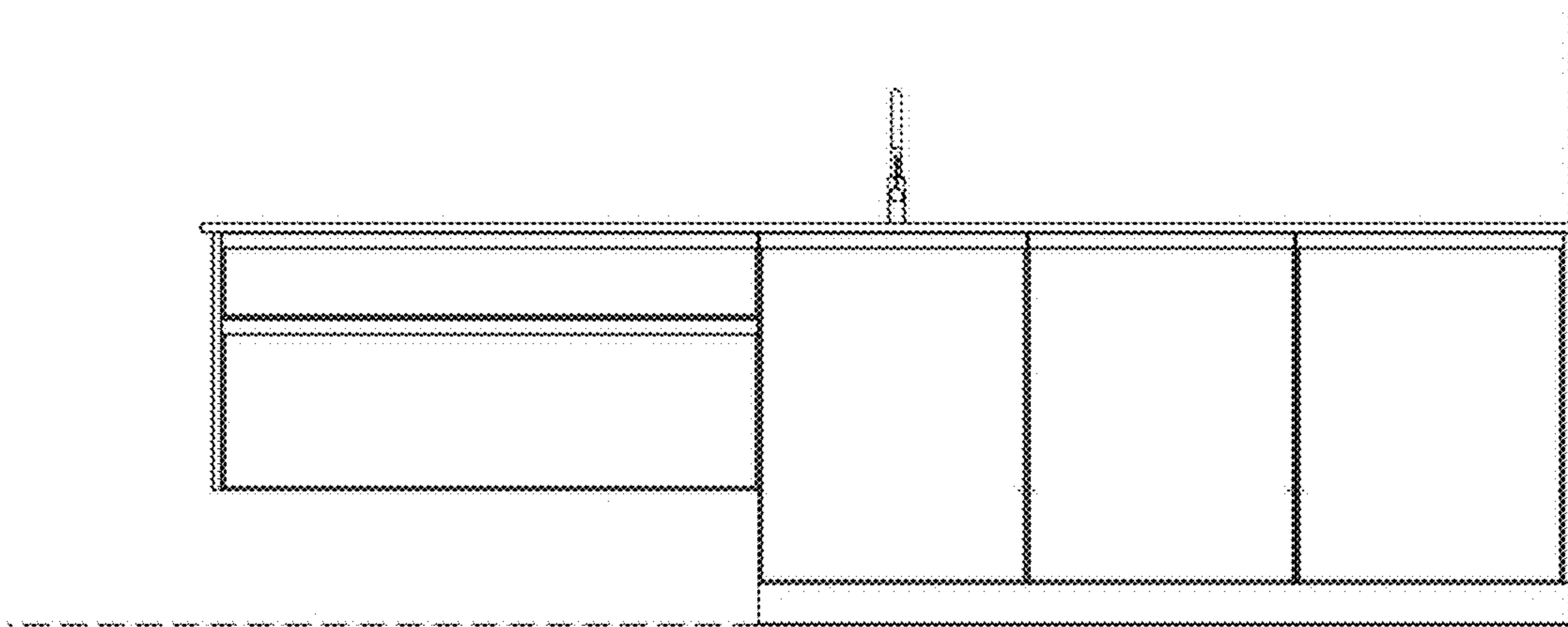
1.7



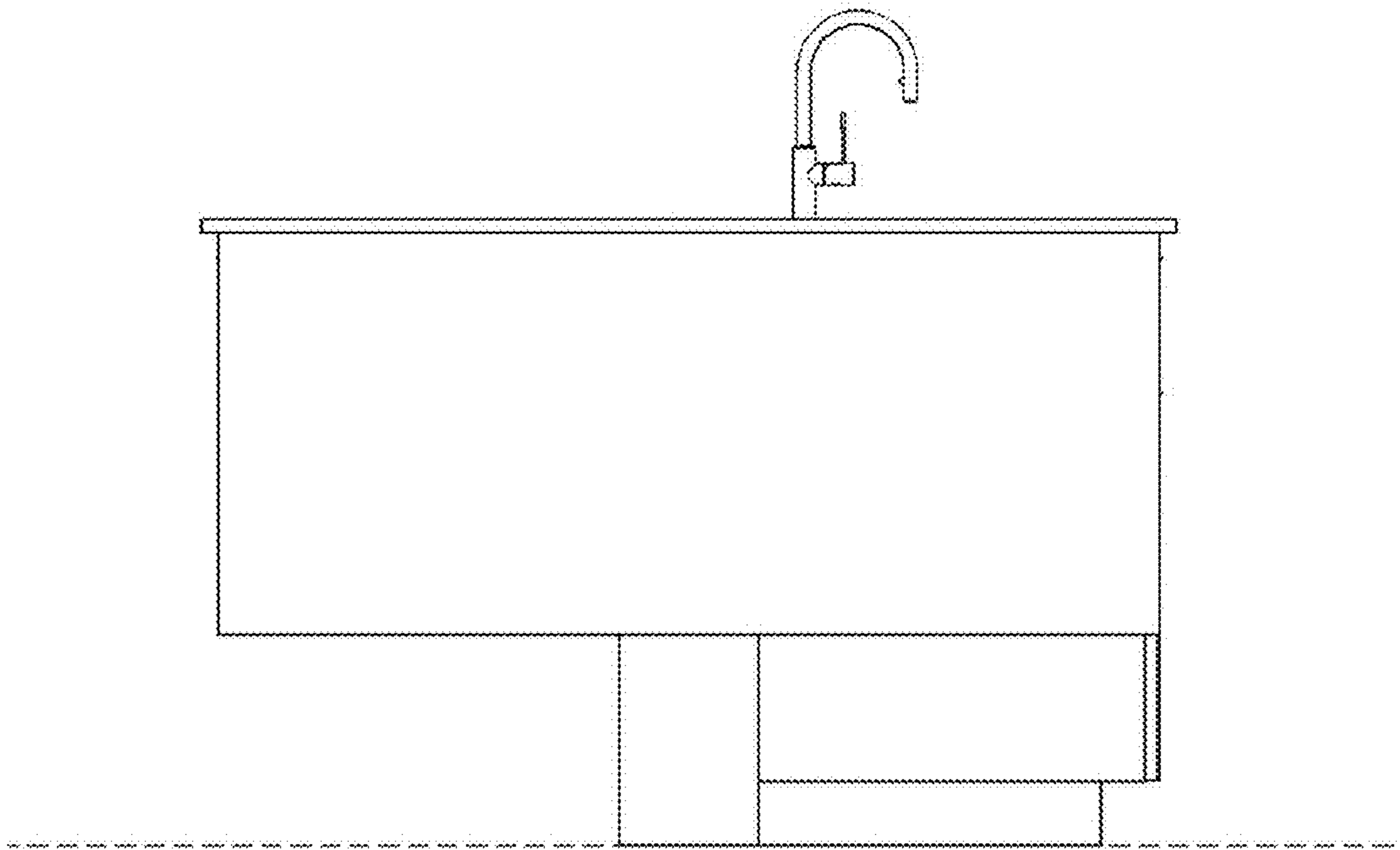
2.1



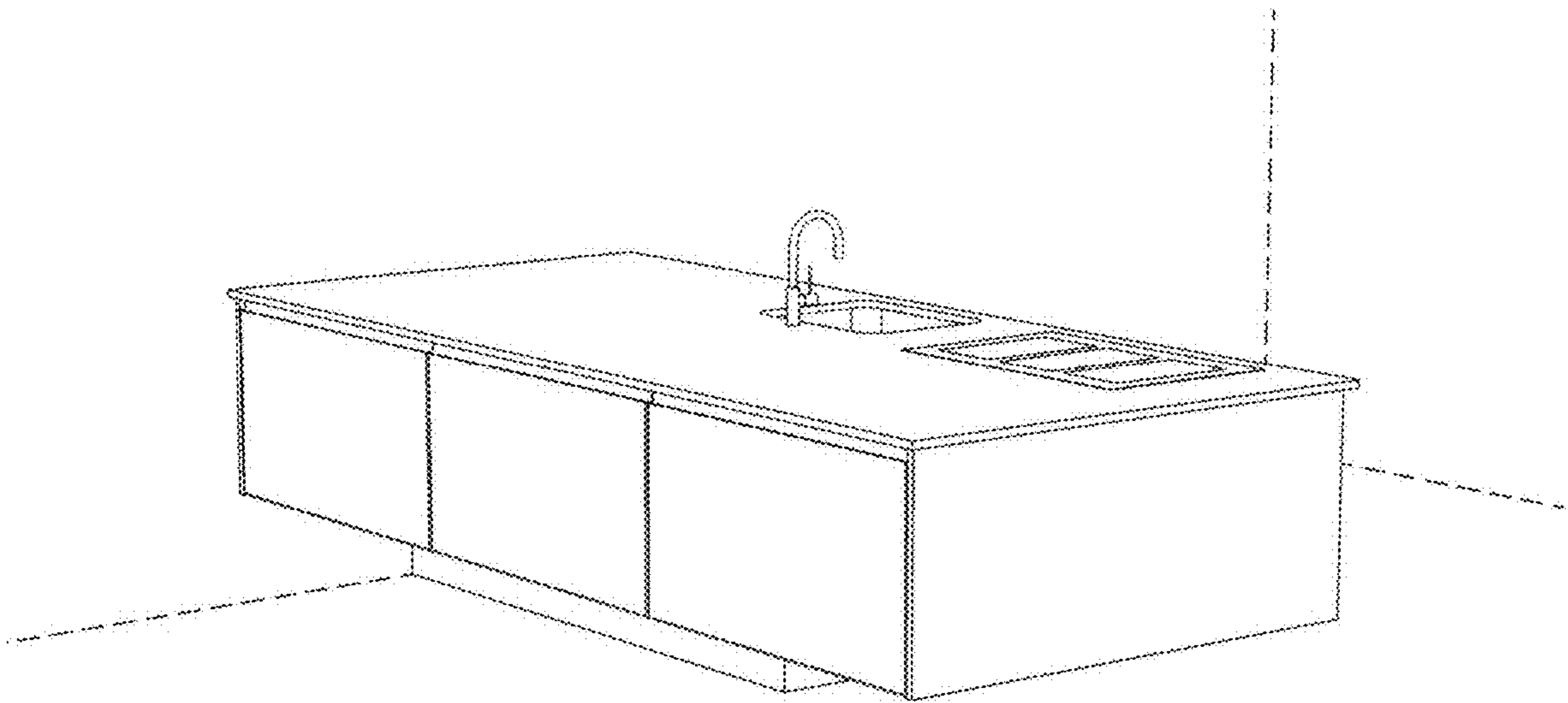
2.2



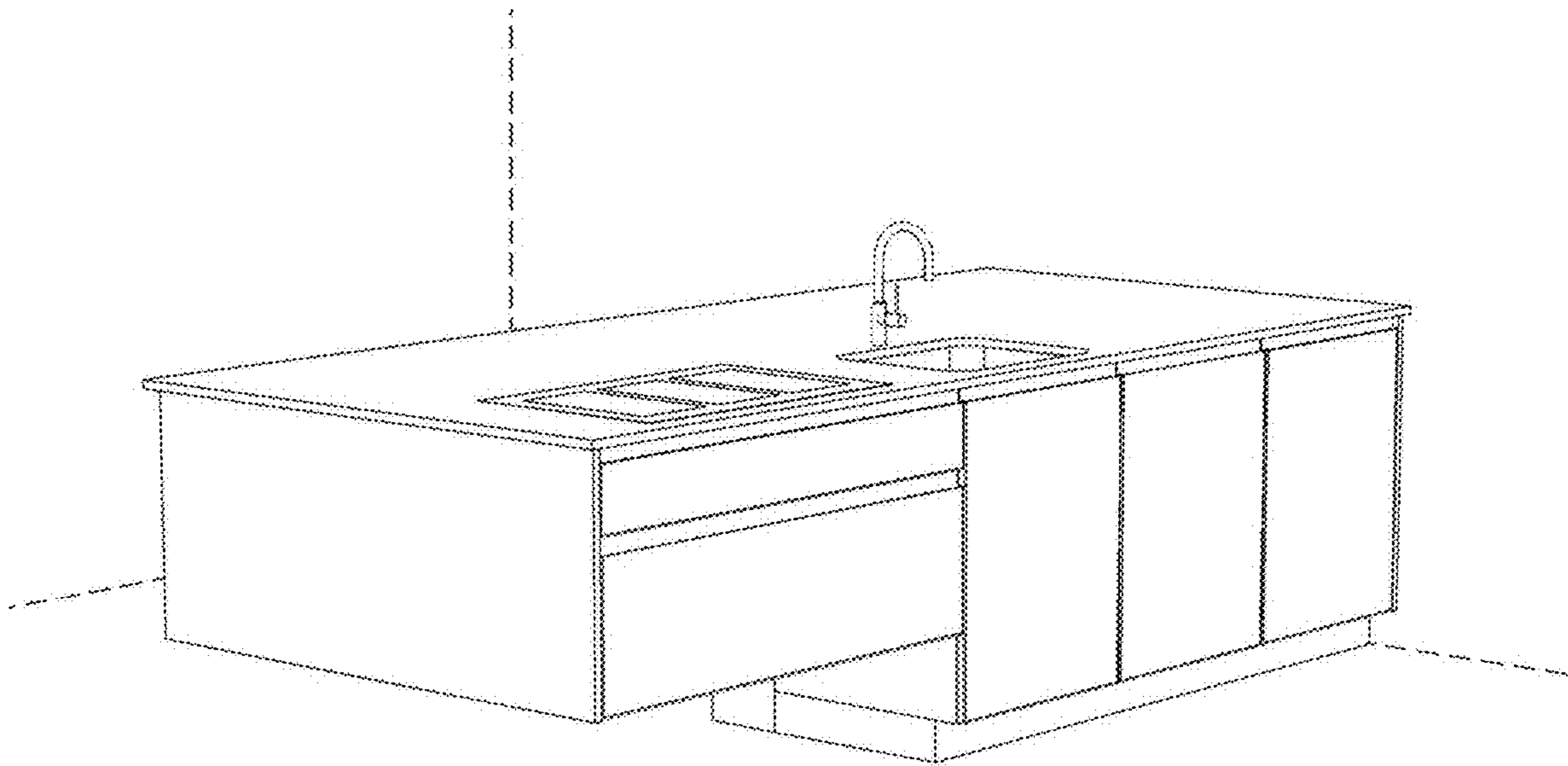
2.3



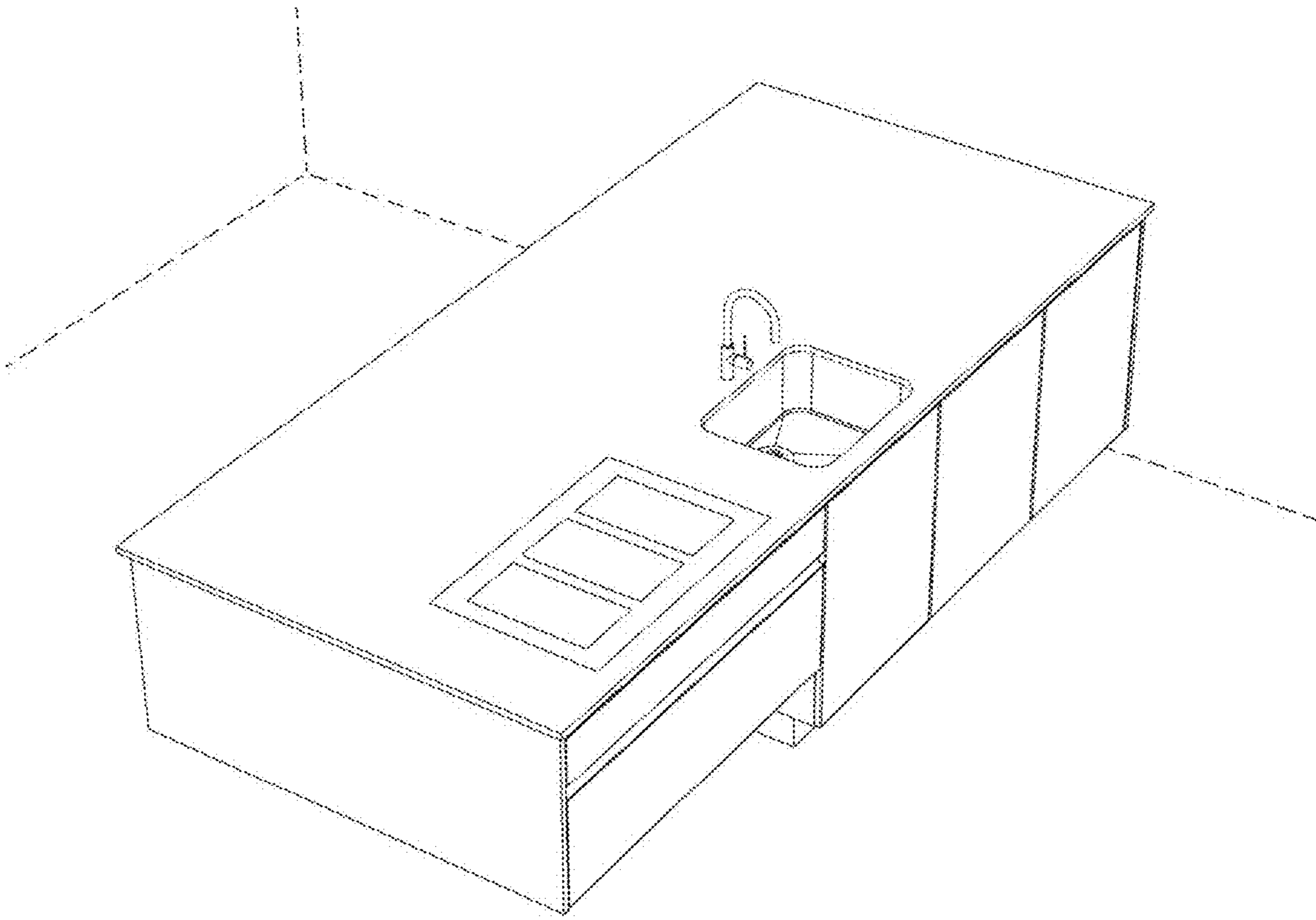
2.4



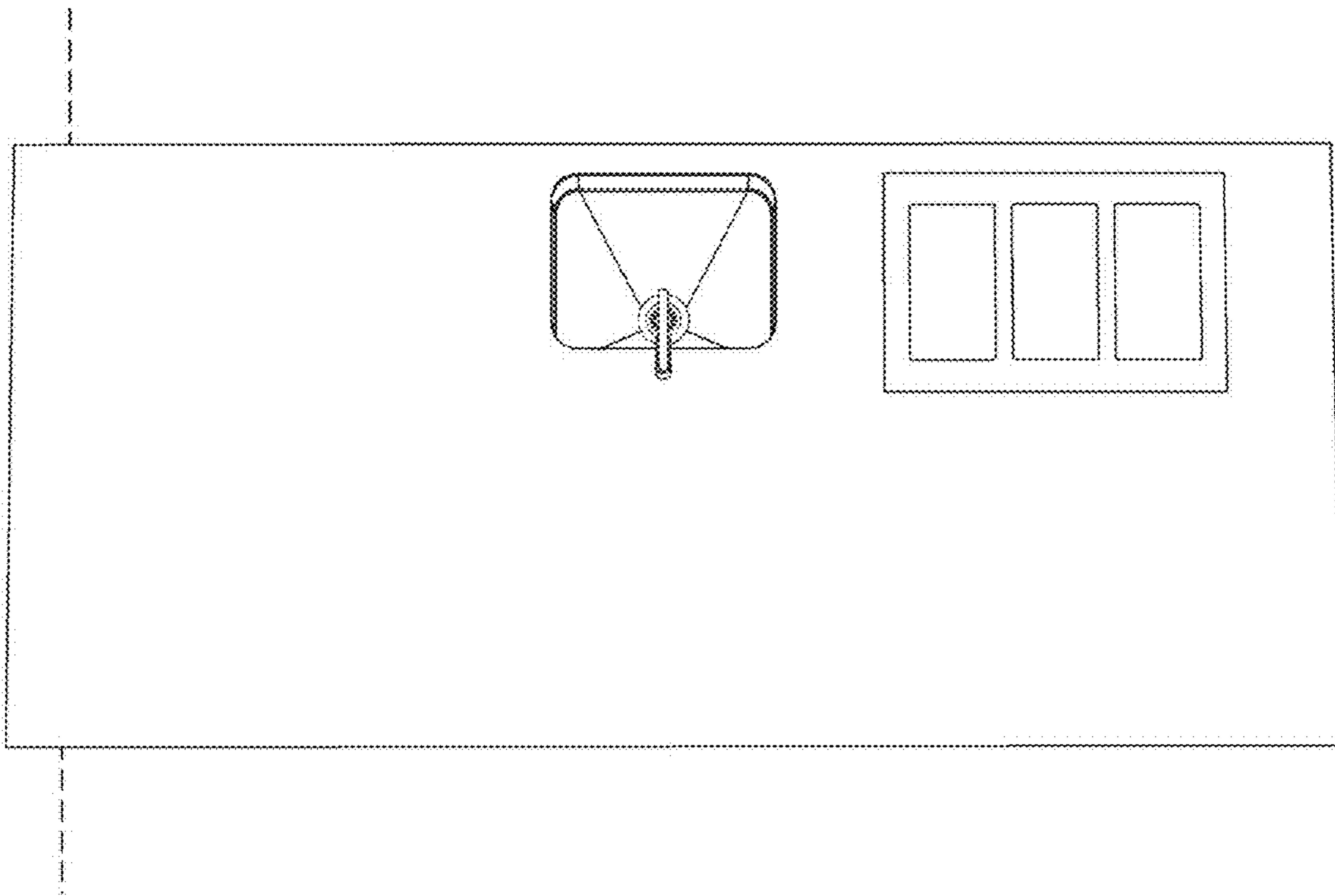
2.5



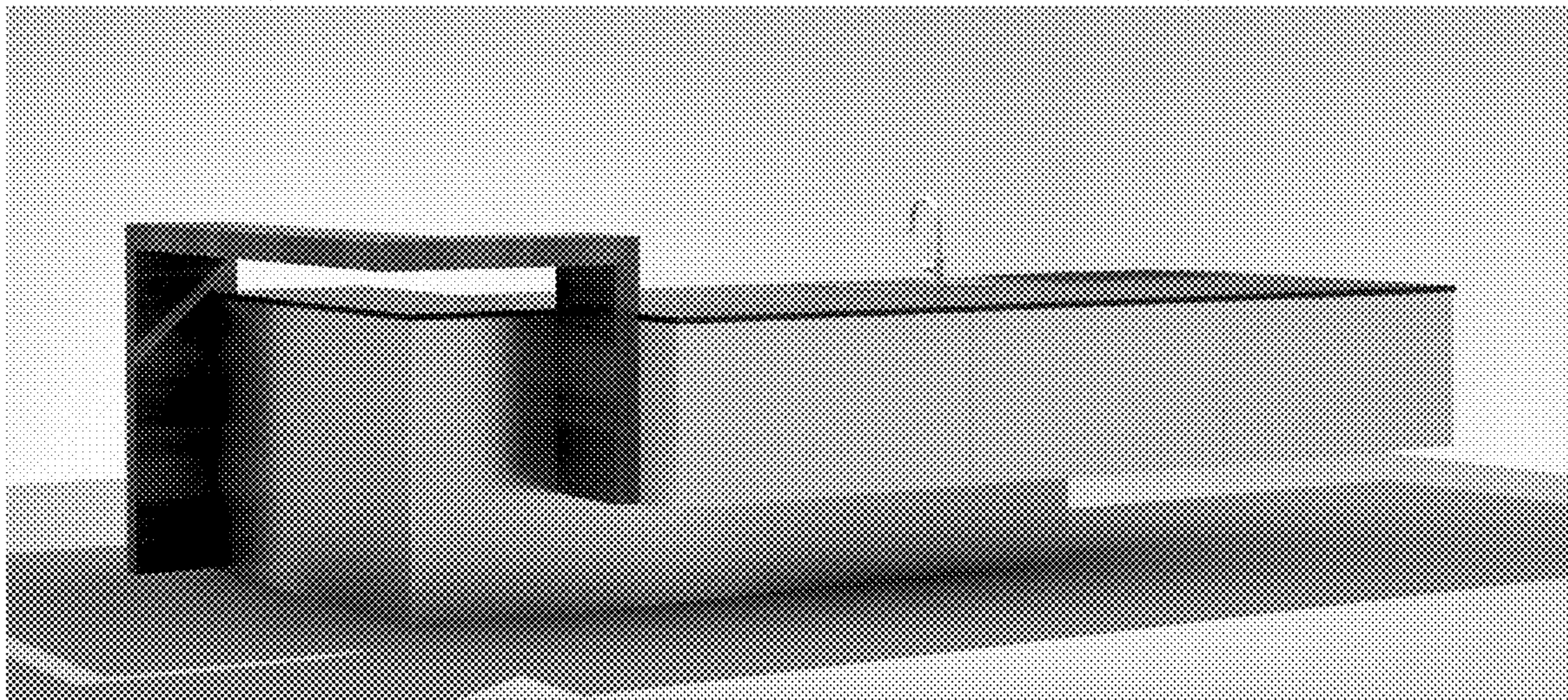
2.6



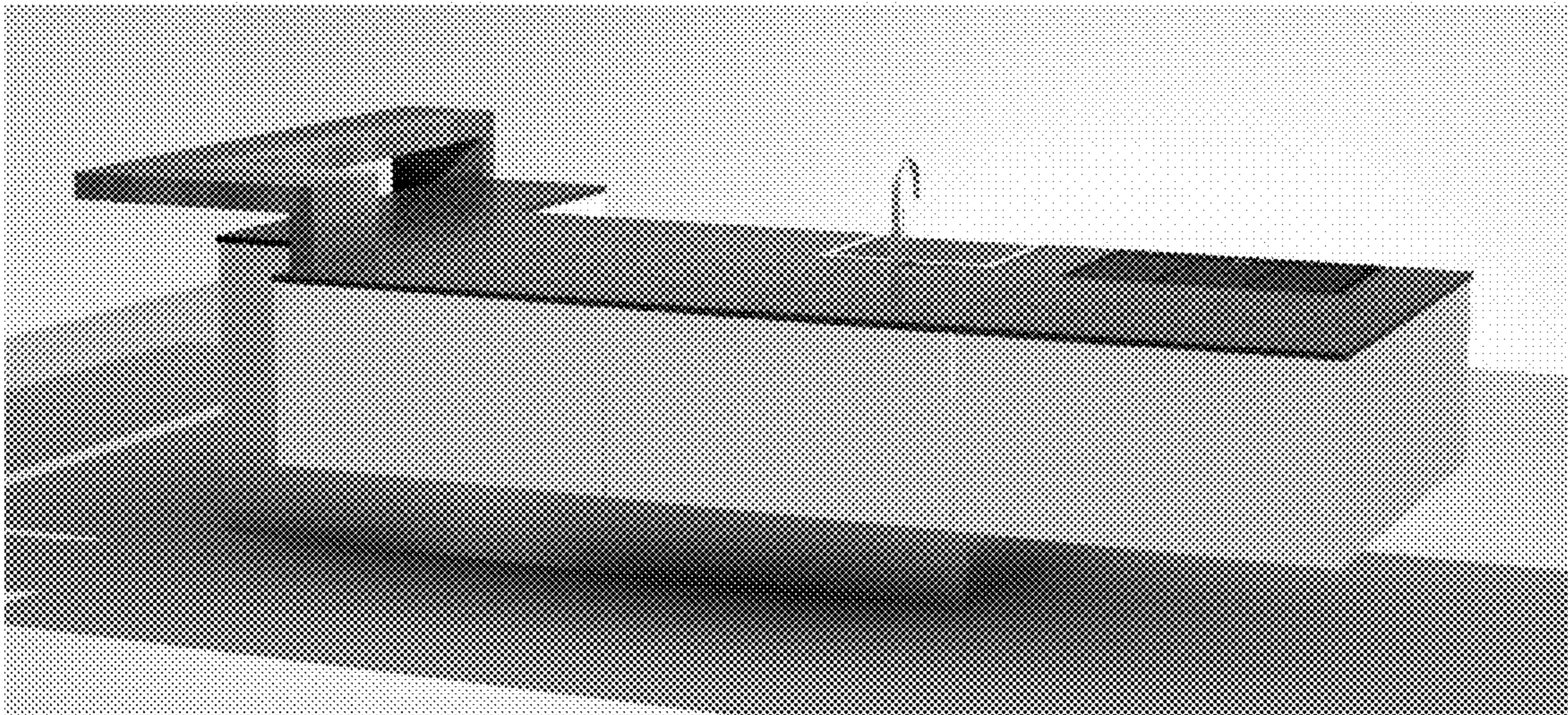
2.7



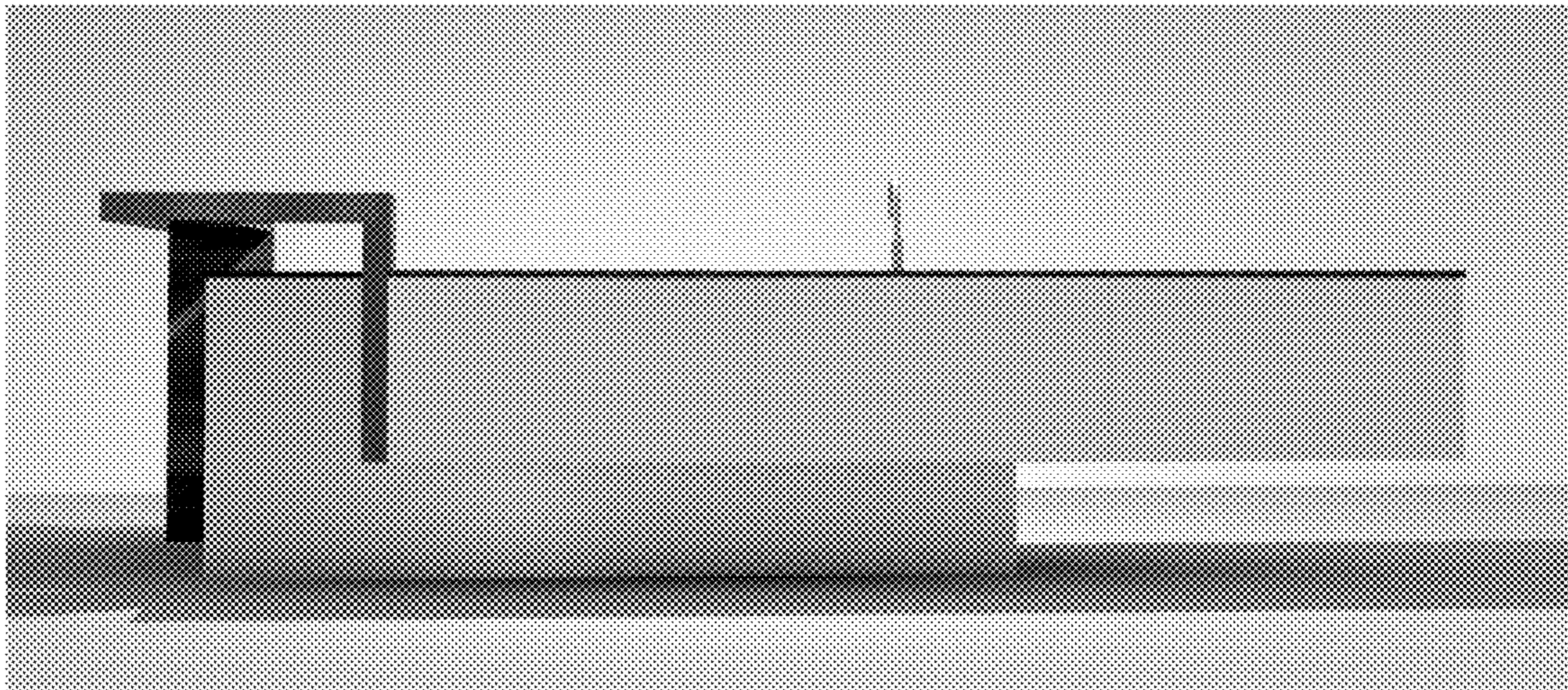
3.1



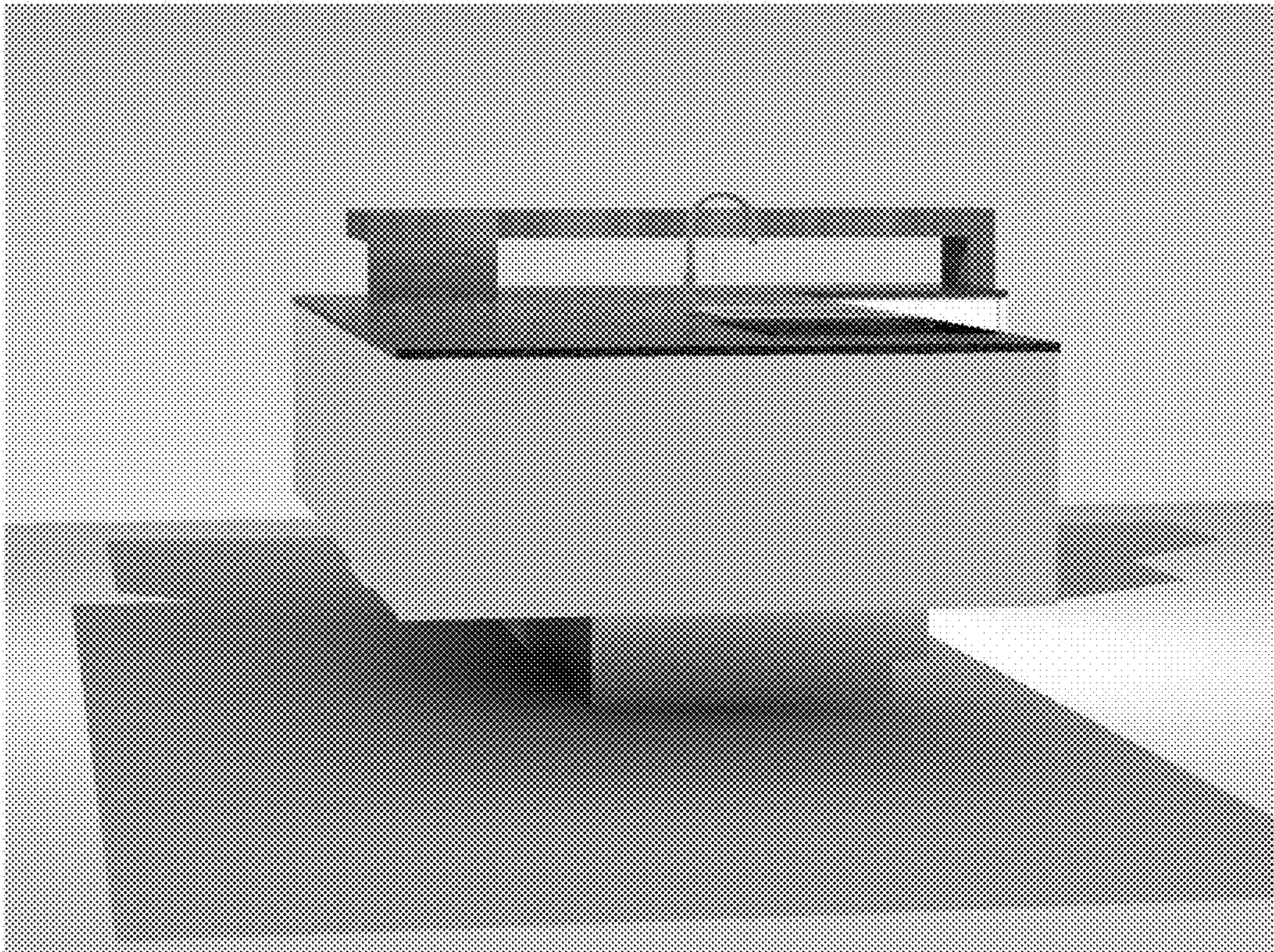
3.2



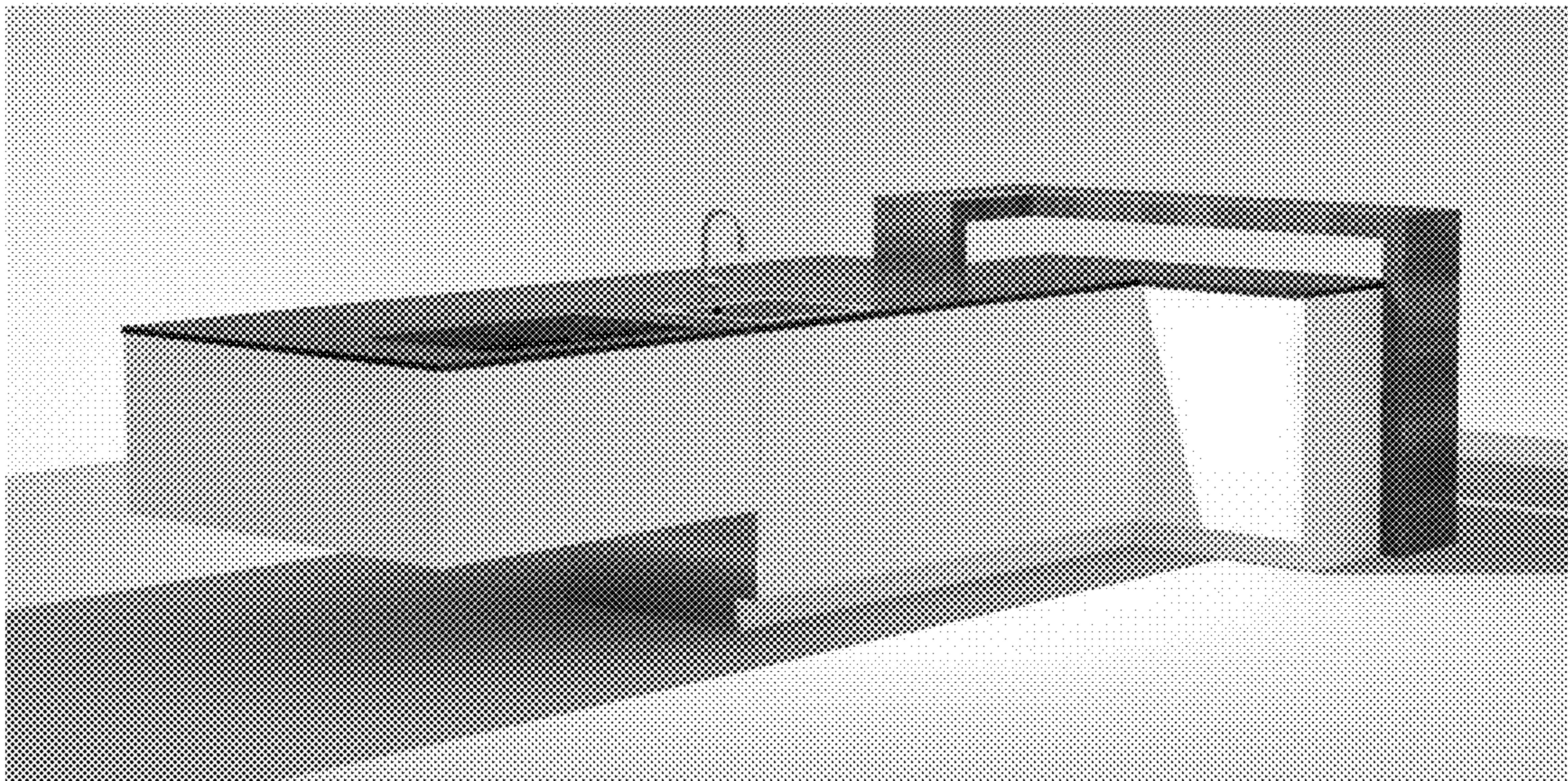
3.3



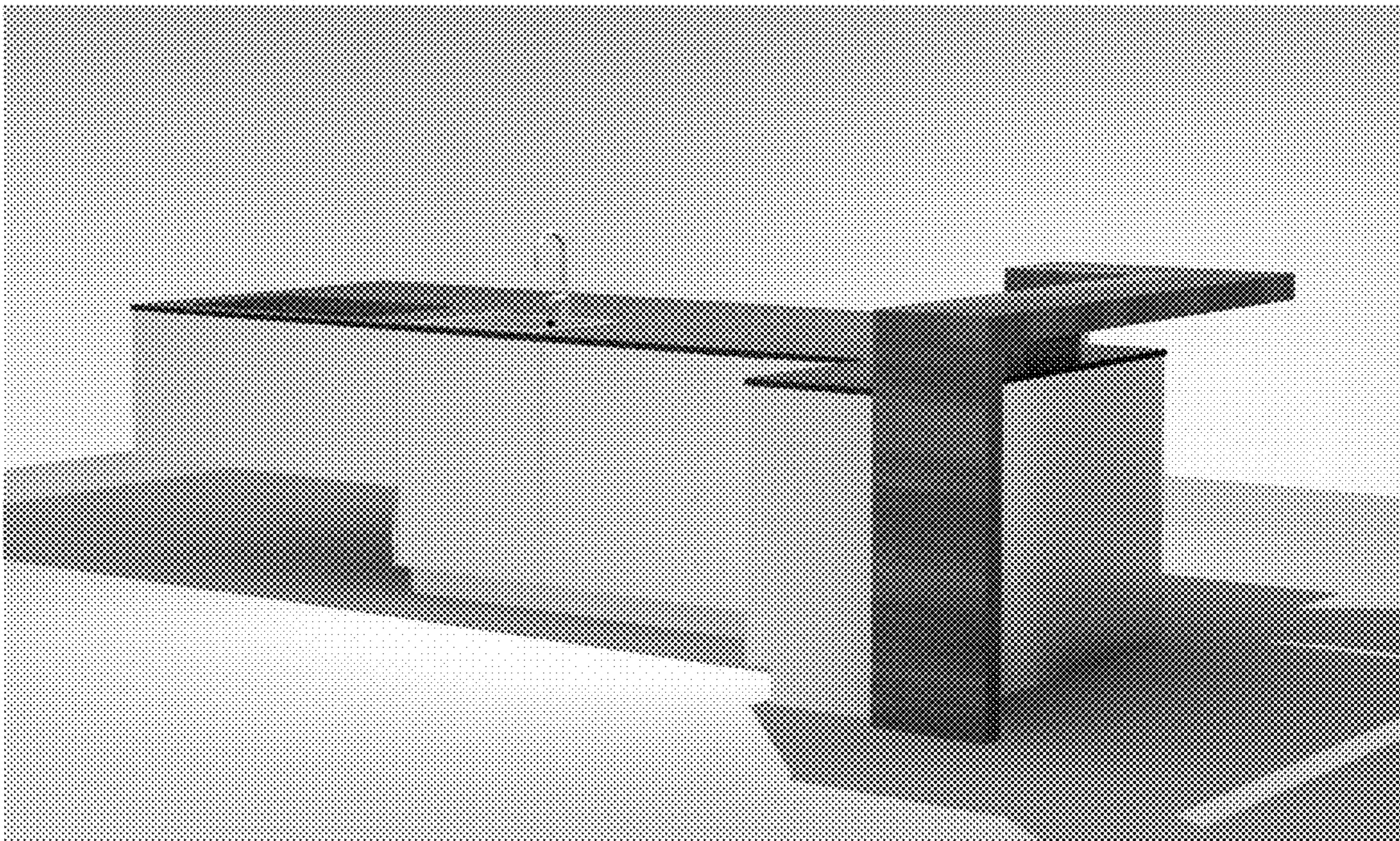
3.4



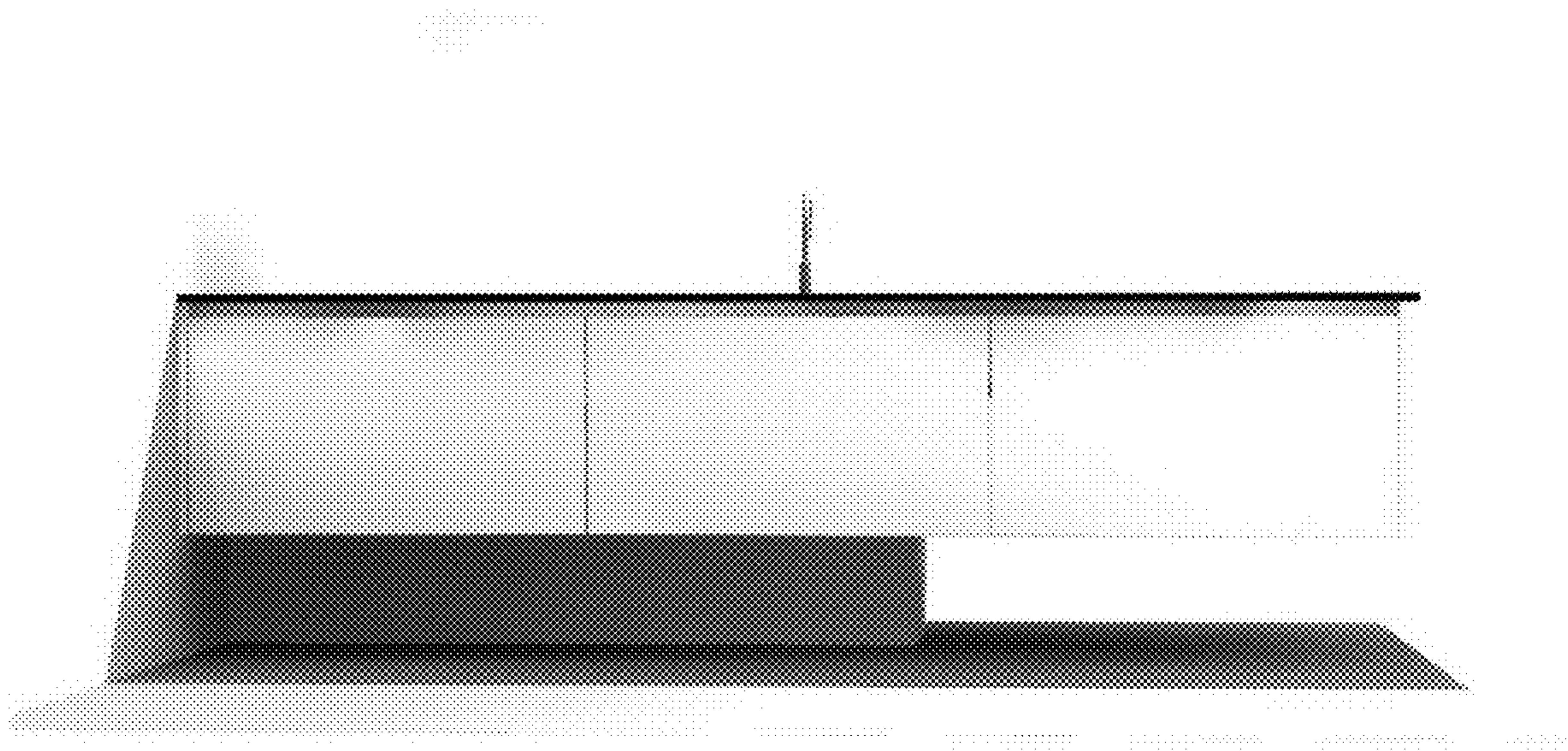
3.5



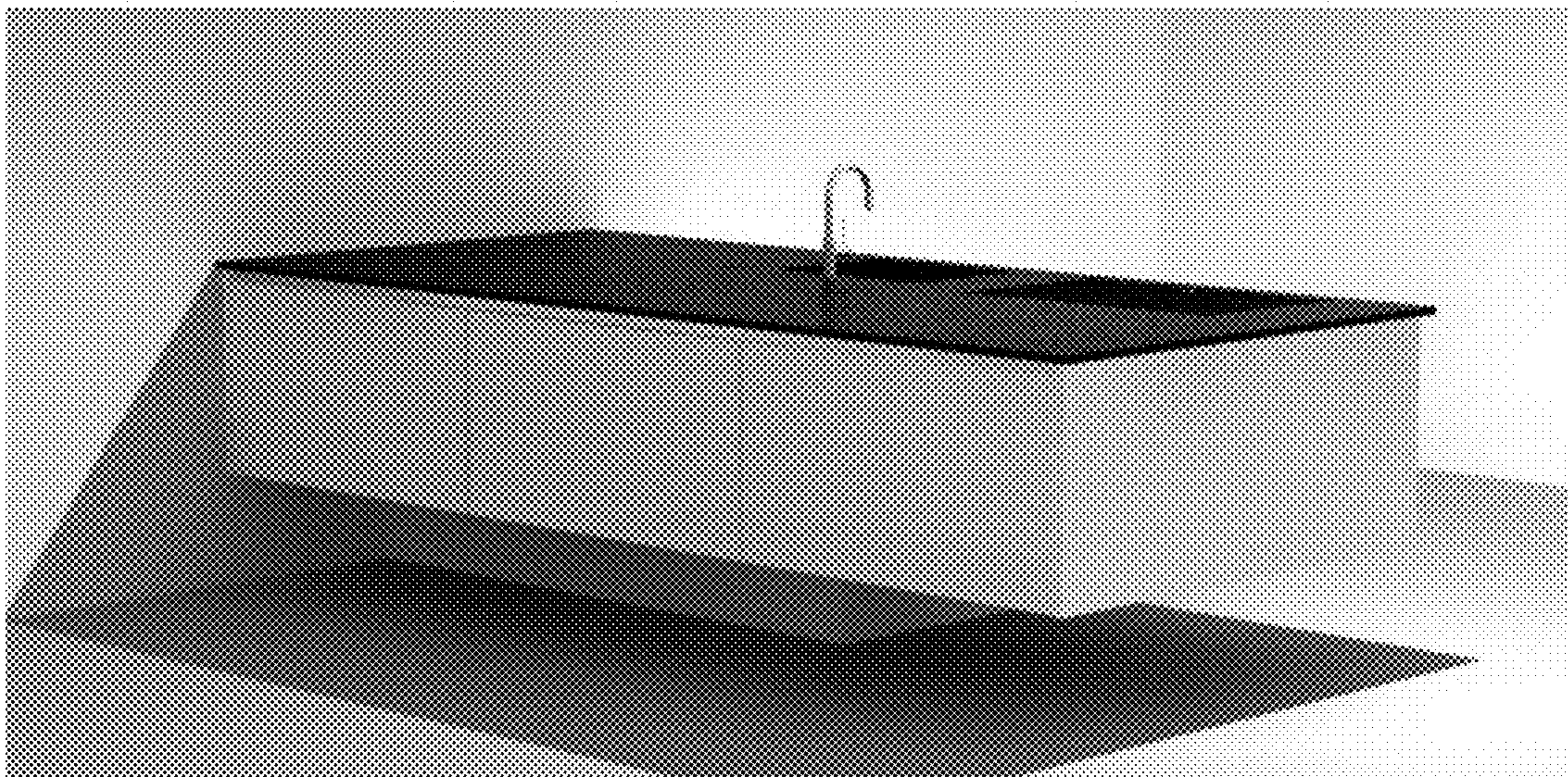
3.6



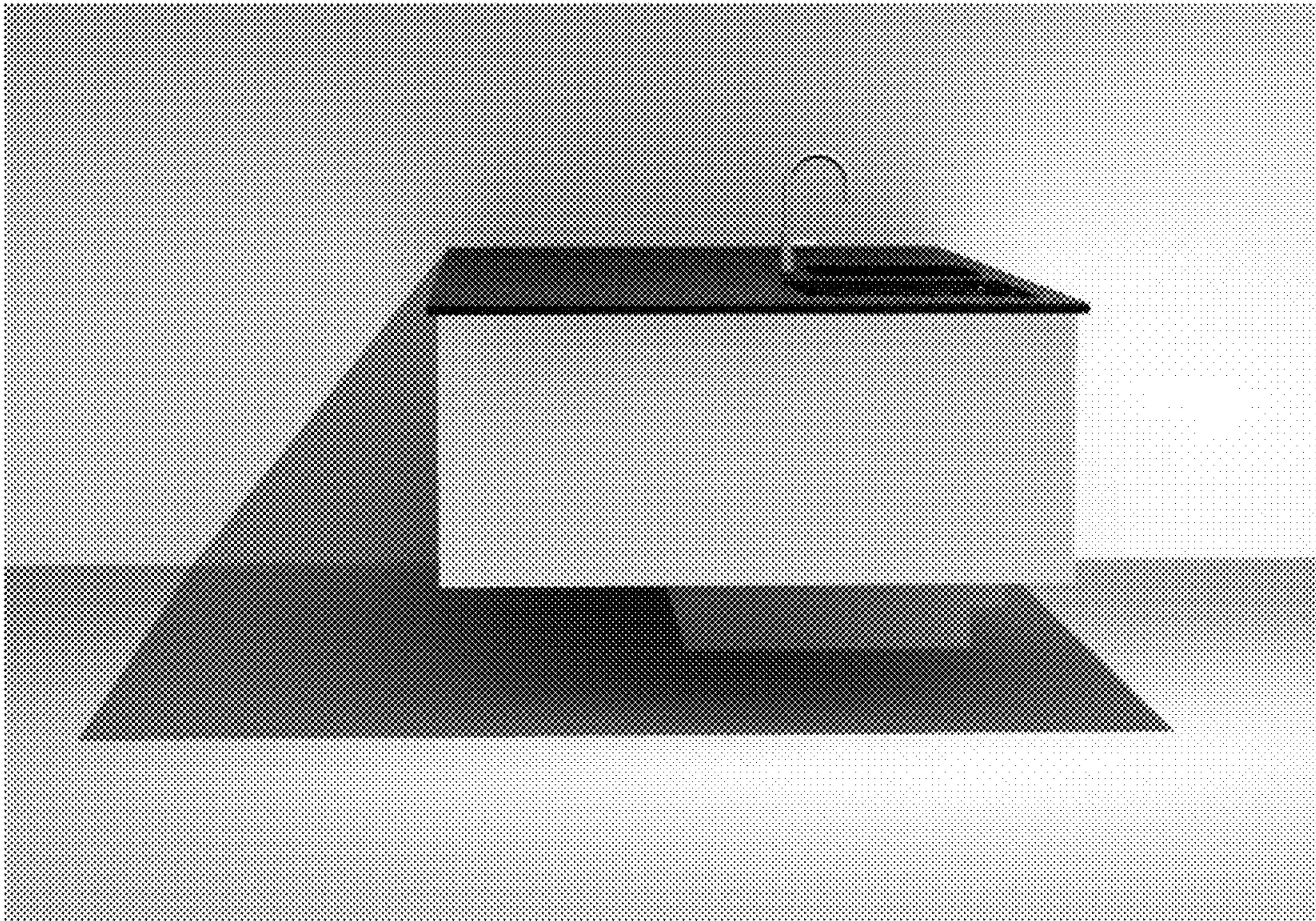
4.1



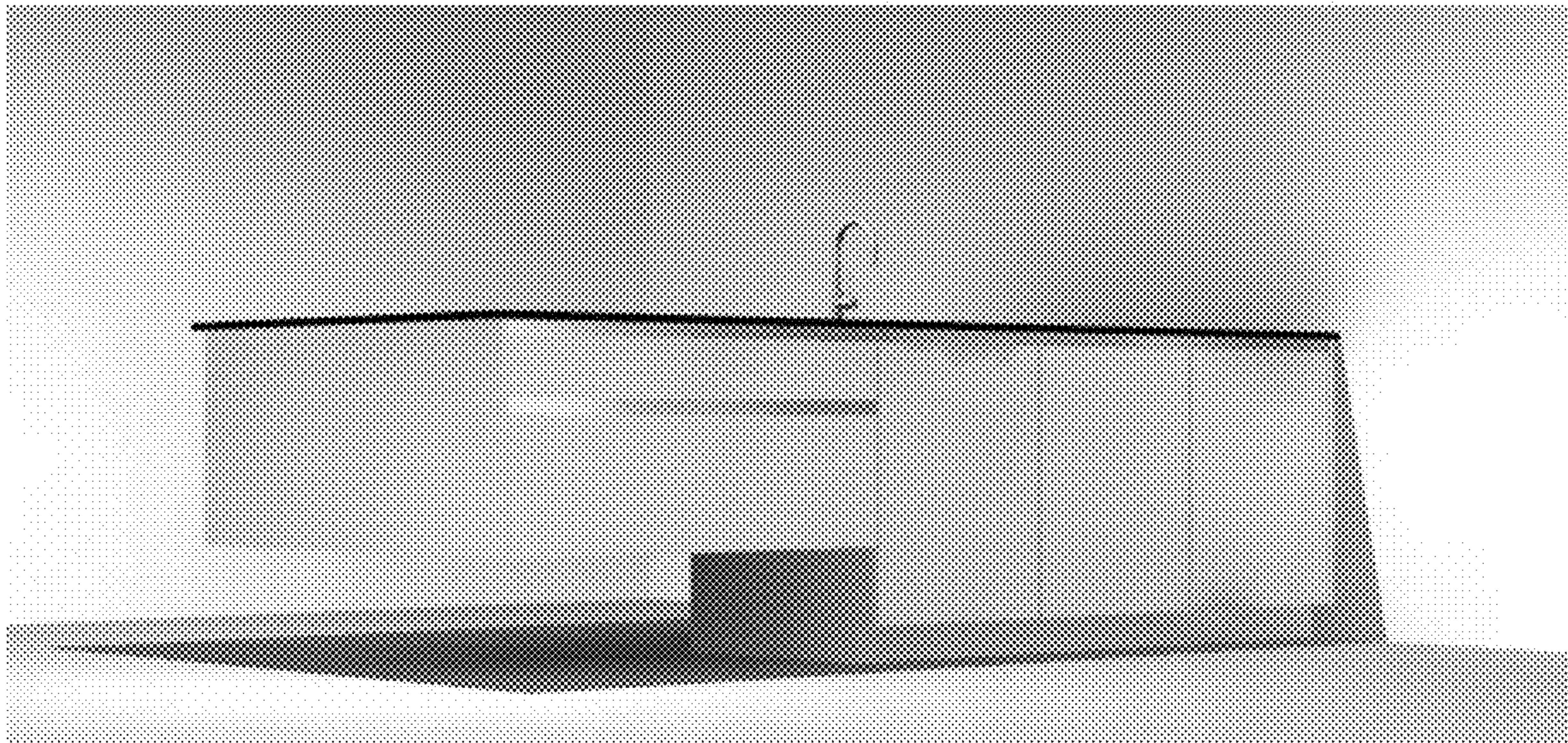
4.2



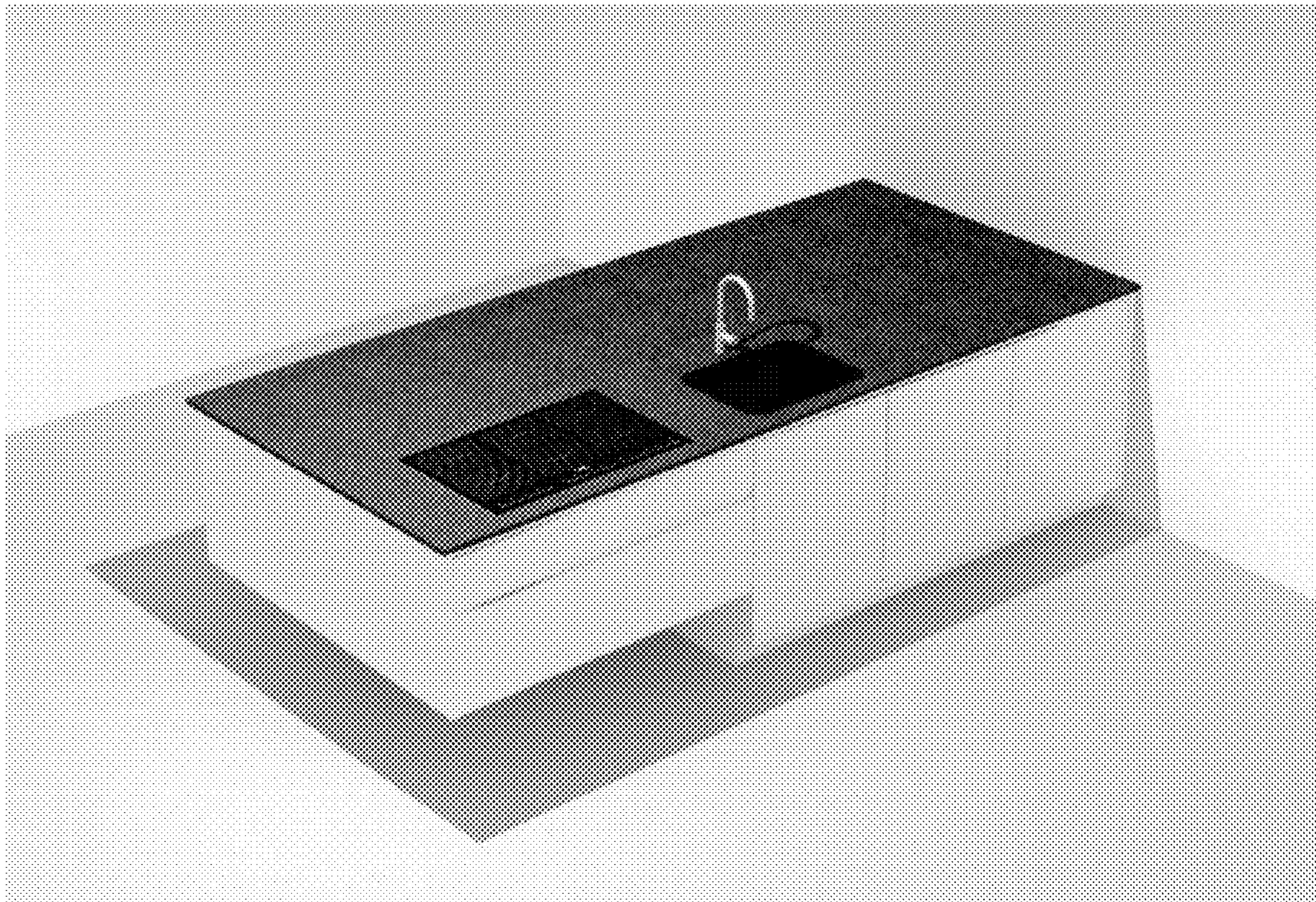
4.3



4.4



4.5



4.6

