



US00D792604S

(12) **United States Design Patent** (10) **Patent No.:** **US D792,604 S**
Indio da Costa et al. (45) **Date of Patent:** **** Jul. 18, 2017**

(54) **BUS SHELTER**

(56) **References Cited**

(71) Applicant: **Odebrecht Transport Participações S/A, Sao Paulo (BR)**
(72) Inventors: **Luiz Eduardo Indio da Costa, Rio de Janeiro (BR); Luiz Augusto de Siqueira Índio da Costa, Rio de Janeiro (BR); Till Pupak, Rio de Janeiro (BR); Marcos Lima Nogueira Costa, Rio de Janeiro (BR)**
(73) Assignee: **OTIMA—CONCESSIONARIA DE EXPLORACAO DE MOBILIARIO URBANO S.A., Sao Paulo (BR)**

U.S. PATENT DOCUMENTS

D192,212 S *	2/1962	Joseph	D25/34
D248,776 S *	8/1978	Kinnebrew, IV	D25/16
5,107,637 A *	4/1992	Robbins	E04H 1/1211 136/291
D338,073 S *	8/1993	Wall	D25/1
D438,635 S *	3/2001	Da Costa	D25/1
D592,762 S *	5/2009	King	D25/56
D609,364 S *	2/2010	Dipietro	D25/17
D734,869 S *	7/2015	Indio da Costa	D25/1
D740,960 S *	10/2015	Indio da Costa	D25/1
D747,816 S *	1/2016	Indio da Costa	D25/1
D748,820 S *	2/2016	Indio Da Costa	D25/56
9,293,948 B2 *	3/2016	Freitas	H02J 9/061
D754,362 S *	4/2016	Indio da Costa	D25/1

(**) Term: **15 Years**

* cited by examiner

(21) Appl. No.: **29/534,315**

Primary Examiner — Susan Bennett Hattan

(22) Filed: **Jul. 28, 2015**

Assistant Examiner — Brett Miller

(74) *Attorney, Agent, or Firm* — Sughrue Mion, PLLC

Related U.S. Application Data

(62) Division of application No. 29/440,015, filed on Dec. 18, 2012, now Pat. No. Des. 740,960.

(51) **LOC (10) Cl.** **25-03**

(52) **U.S. Cl.**
USPC **D25/1; D25/56**

(58) **Field of Classification Search**
USPC D25/1, 4, 12, 15, 16–18, 21, 31–34, 56,
D25/10, 22, 61, 19, 30; D21/837; 52/86,
52/73–78, 79.1
CPC E04B 7/08; E04B 1/3205; E04B 1/3416;
E04B 1/3408; E04H 15/36; E04H
1/1205–1/14; E04H 1/02

See application file for complete search history.

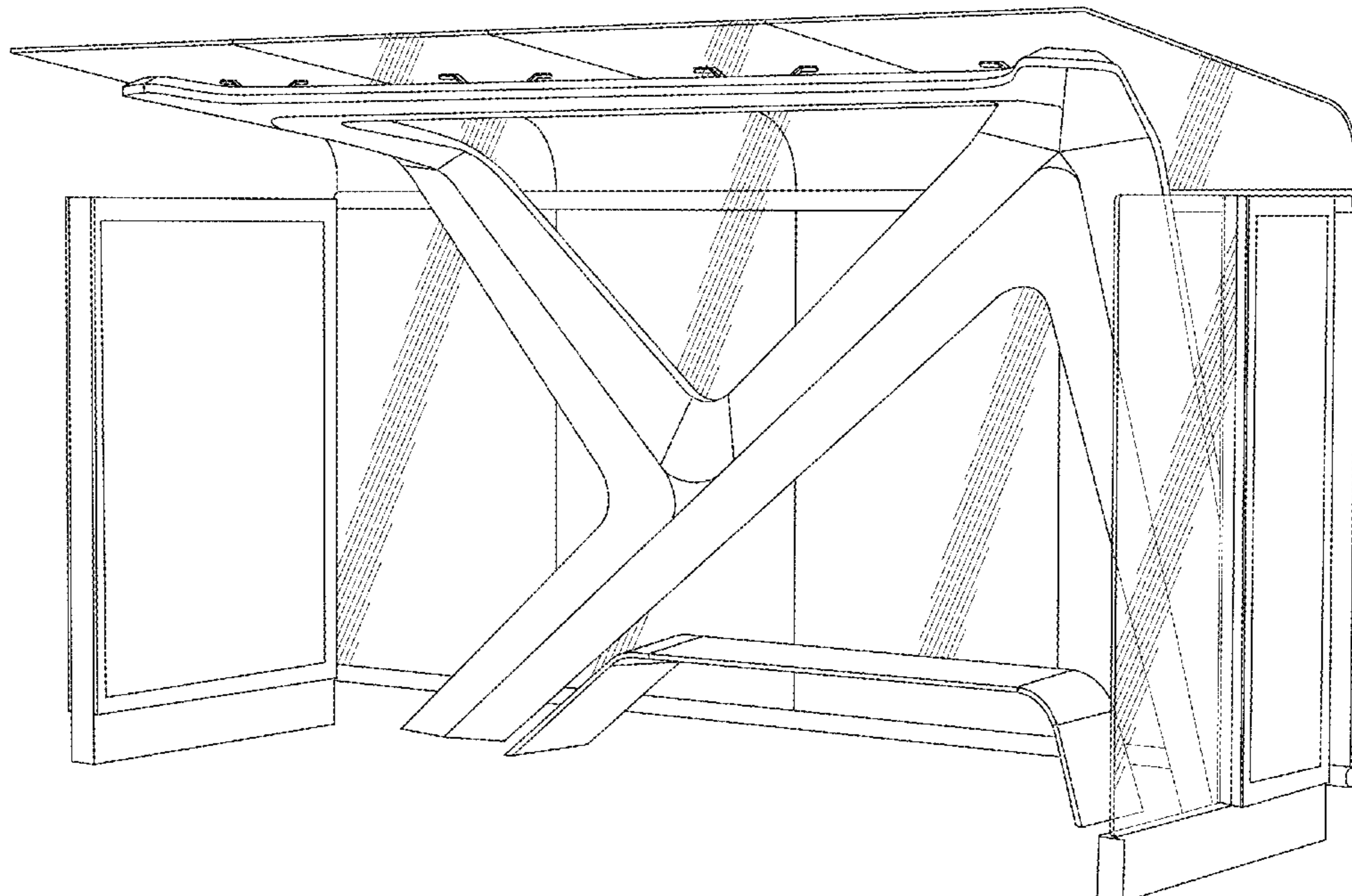
(57) **CLAIM**

The ornamental design for a bus shelter, as shown and described.

DESCRIPTION

FIG. 1—a front view showing the bus shelter;
FIG. 2—a rear view;
FIG. 3—a right side view;
FIG. 4—a left side view;
FIG. 5—a top view;
FIG. 6—a bottom view; and,
FIG. 7—a perspective view.

1 Claim, 6 Drawing Sheets



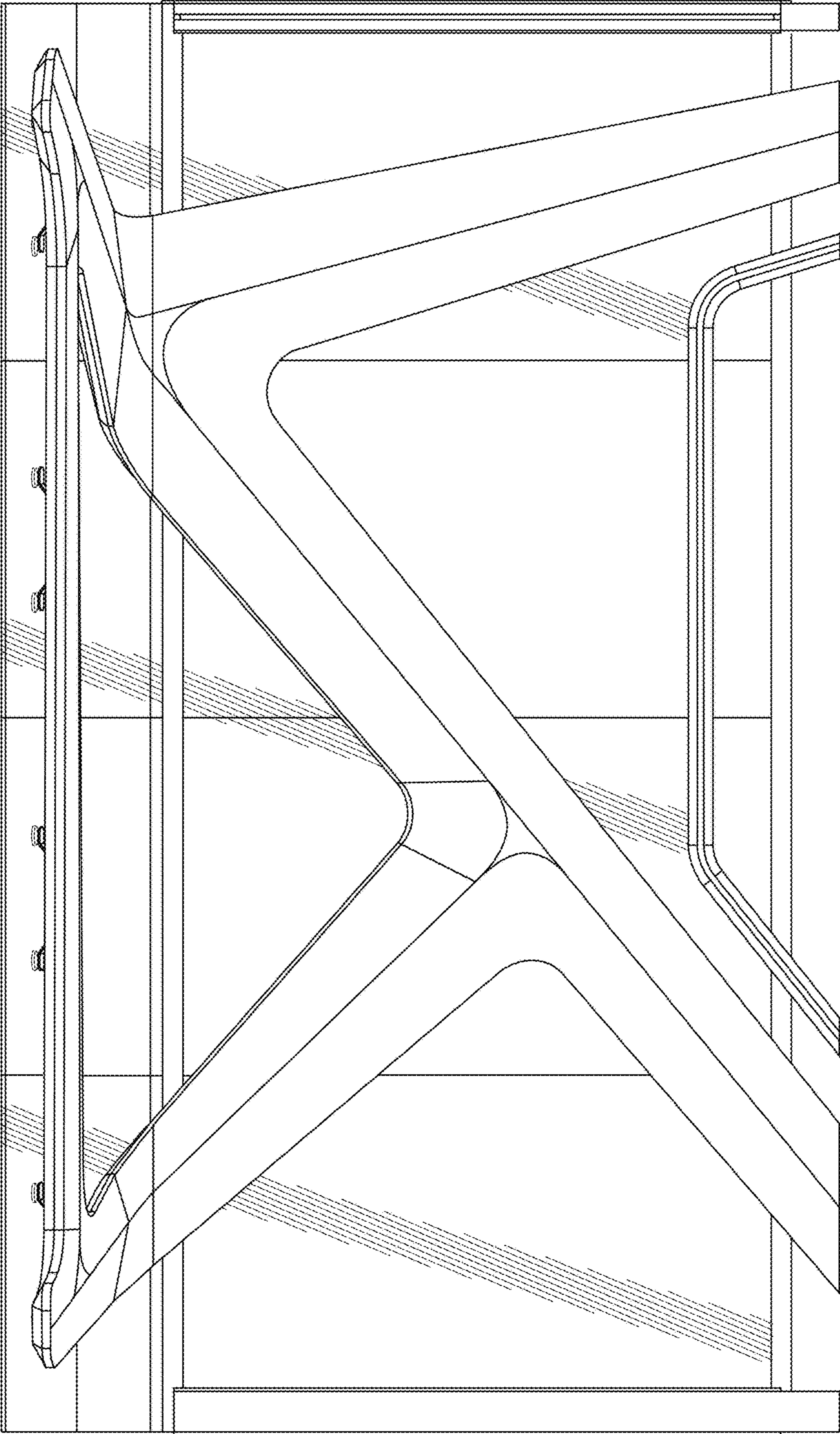


FIG. 1

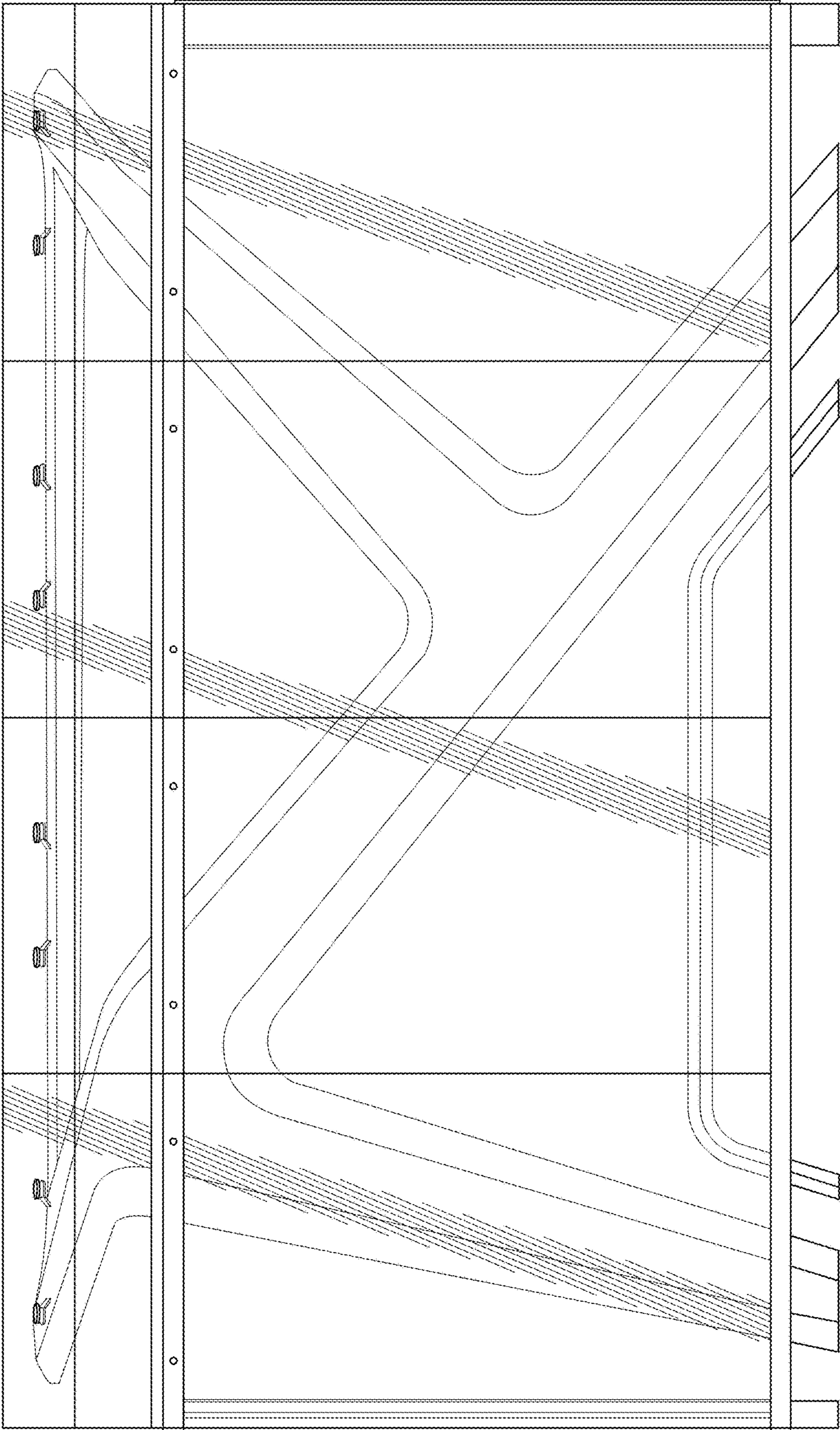


FIG. 2

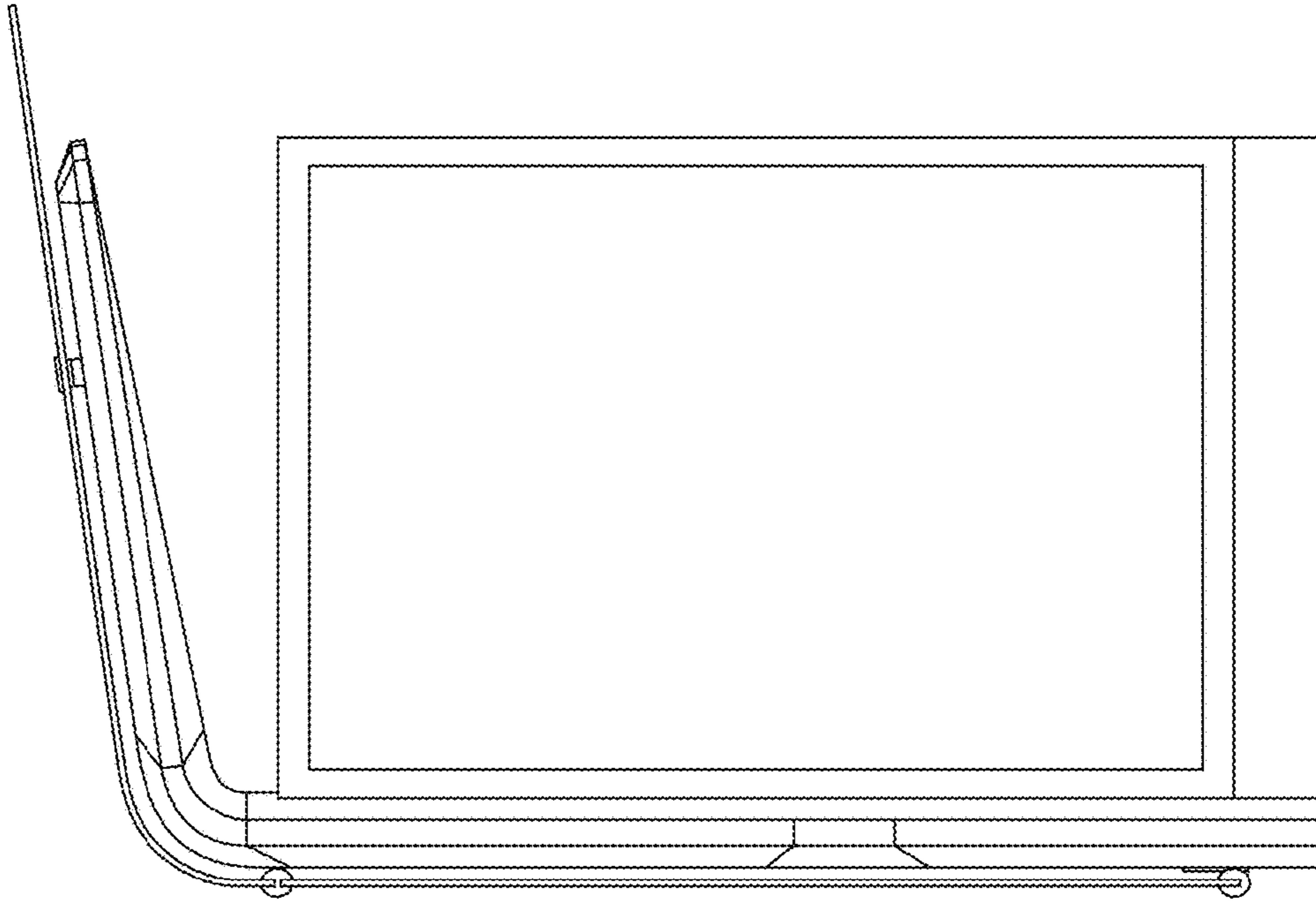


FIG. 4

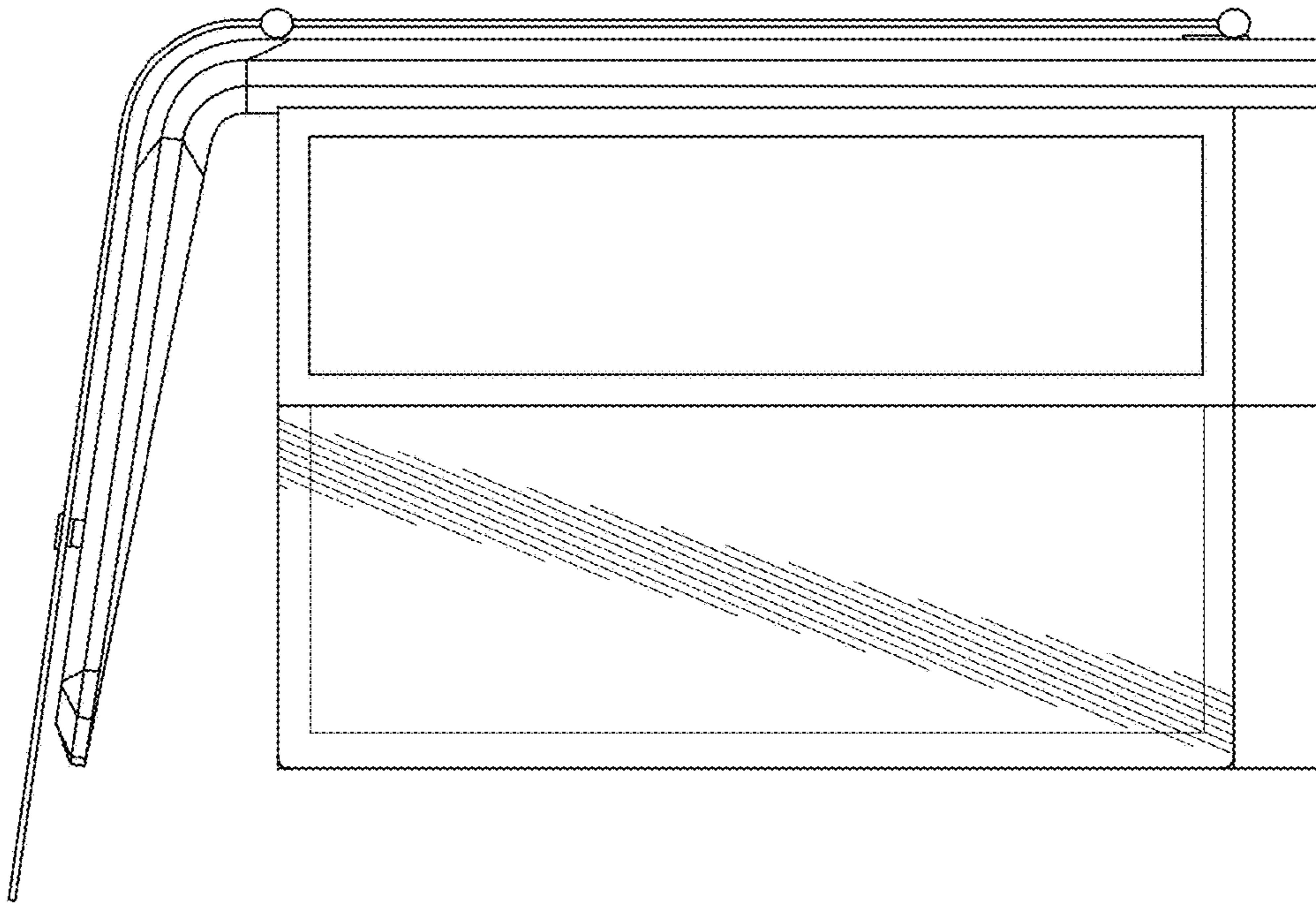


FIG. 3

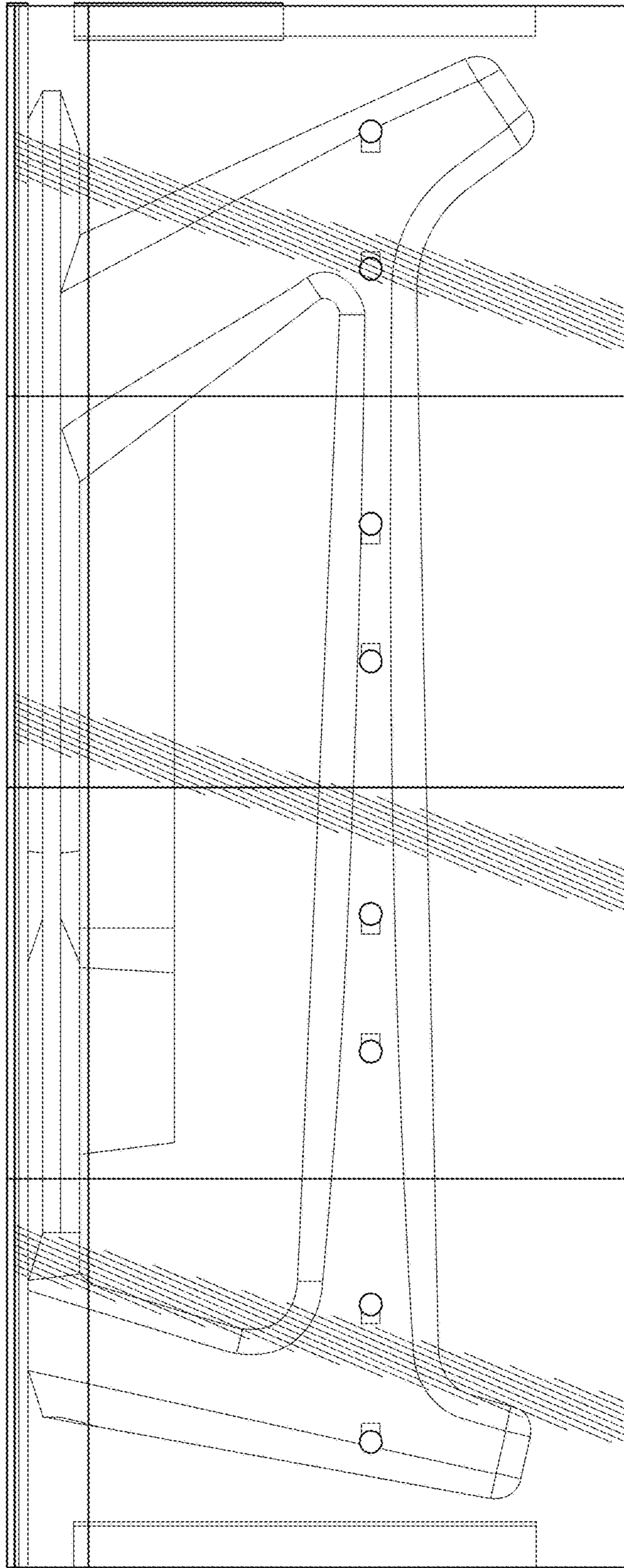


FIG. 5

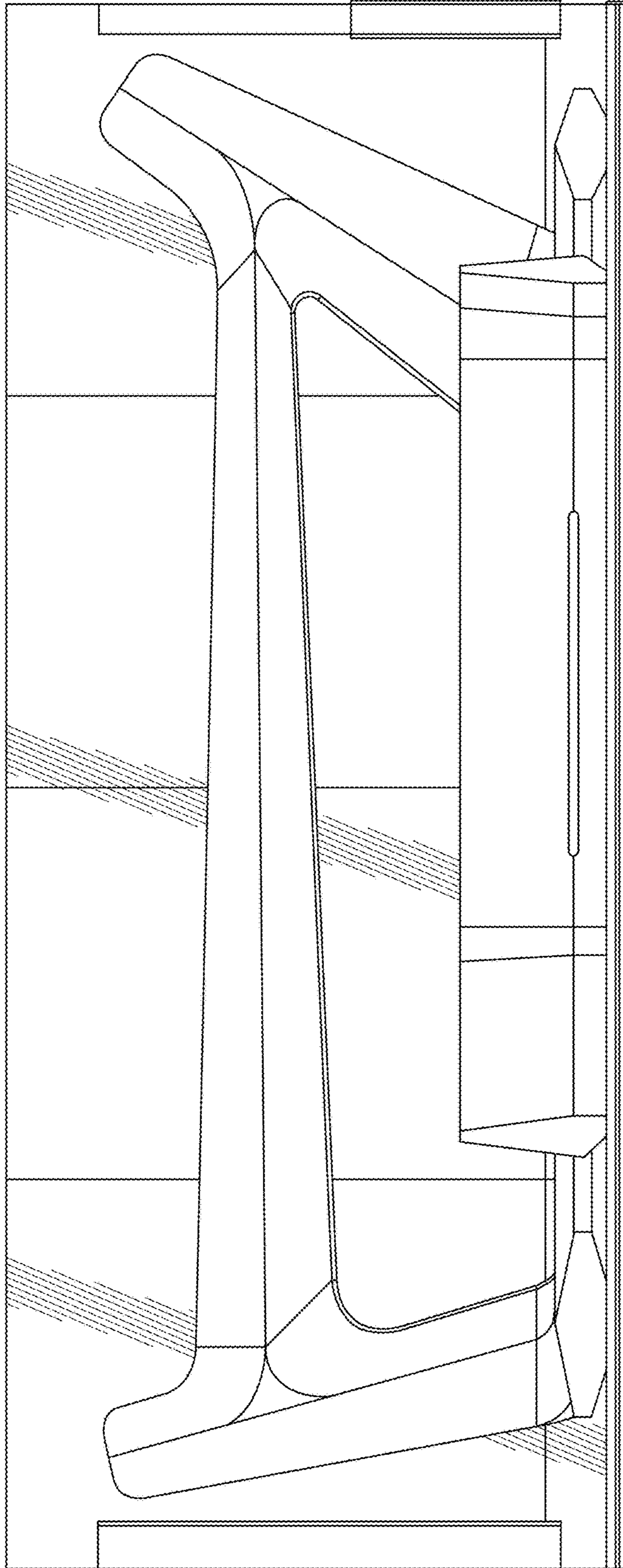


FIG. 6

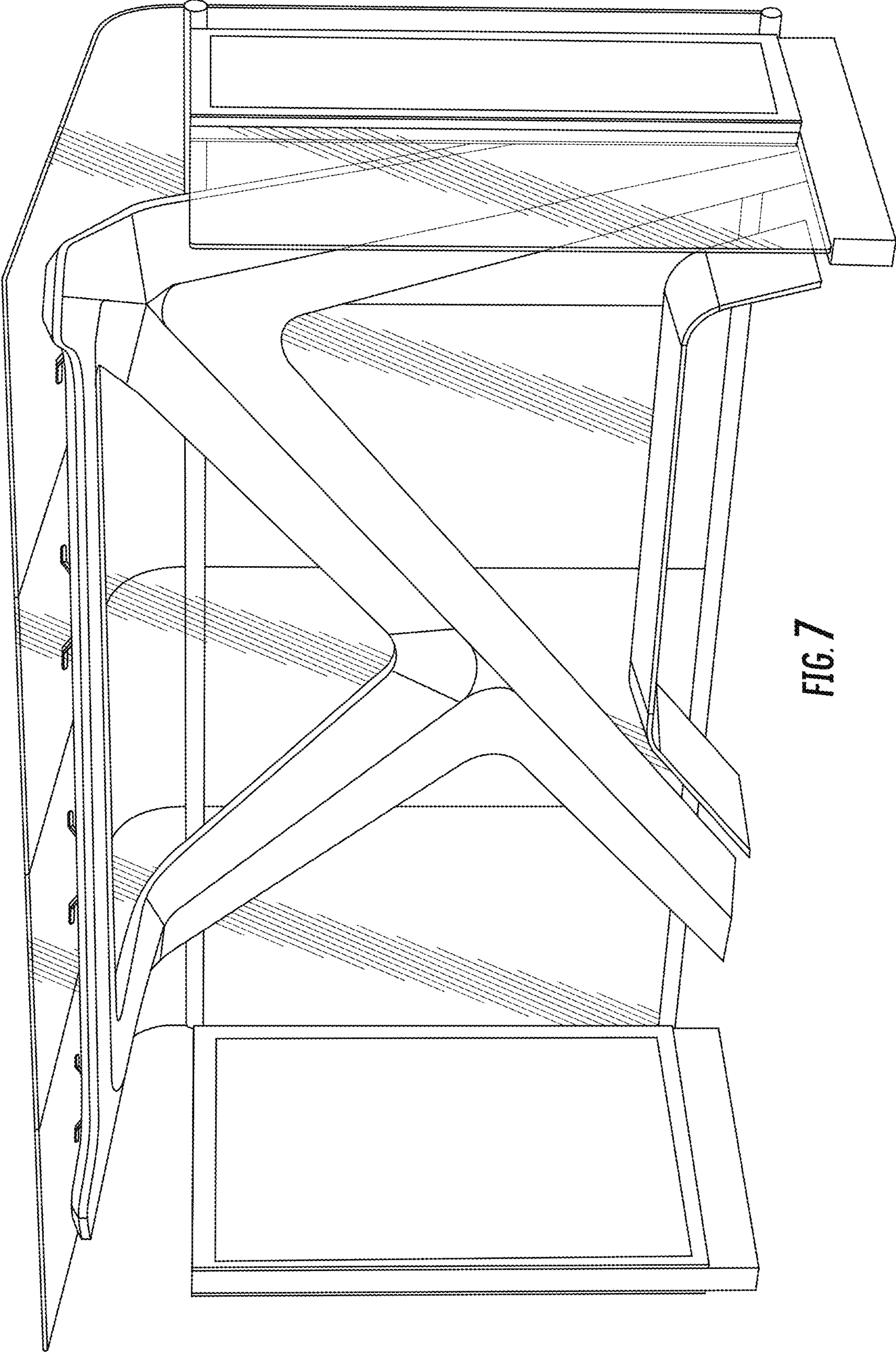


FIG. 7