

US00D792603S

(12) **United States Design Patent** (10) **Patent No.:** **US D792,603 S**
Bulloch et al. (45) **Date of Patent:** **** Jul. 18, 2017**

(54) **RIG FOR ELECTROPHORESIS GEL CASTING**

(71) Applicant: **LIFE TECHNOLOGIES CORPORATION**, Carlsbad, CA (US)

(72) Inventors: **Kyle Bulloch**, San Diego, CA (US);
Thomas Diller, San Diego, CA (US);
Xin Mathers, Poway, CA (US)

(73) Assignee: **LIFE TECHNOLOGIES CORPORATION**, Carlsbad, CA (US)

(**) Term: **15 Years**

(21) Appl. No.: **29/545,637**

(22) Filed: **Nov. 13, 2015**

(51) **LOC (10) Cl.** **24-01**

(52) **U.S. Cl.**
USPC **D24/233**

(58) **Field of Classification Search**
USPC D24/216-219, 227, 231, 232, 233, 107,
D24/169, 186; D10/81

(Continued)

(56) **References Cited**

U.S. PATENT DOCUMENTS

D303,007 S * 8/1989 Flesher D24/233
5,228,971 A 7/1993 Brumley et al.

(Continued)

FOREIGN PATENT DOCUMENTS

WO 9524640 9/1995
WO 9954721 10/1999

OTHER PUBLICATIONS

PCT/US2016/061476 Invitation to Pay Additional Fees and Partial Search Report mailed Feb. 13, 2017.

Primary Examiner — Anhdao Doan

(57) **CLAIM**

The ornamental design for a rig for electrophoresis gel casting, as shown and described.

DESCRIPTION

This application is related to U.S. Design patent application Ser. No. 29/545,620, entitled "Electrophoresis Gel Cassette," and filed on a date even herewith; to U.S. Design patent application Ser. No. 29/545,633, entitled "Cassette Support Base for Electrophoresis Gel Casting," and filed on a date even herewith; and to U.S. Design patent application Ser. No. 29/545,635, entitled "Cassette Clamp for Electrophoresis Gel Casting," and filed on a date even herewith, the entire contents of each of which are incorporated by reference herein.

FIG. 1 is a front perspective view of a first embodiment of a rig for electrophoresis gel casting showing our new design.

FIG. 2 is back perspective view thereof.

FIG. 3 is a front view thereof.

FIG. 4 is a back view thereof.

FIG. 5 is a right side view thereof.

FIG. 6 is a left side view thereof.

FIG. 7 is a top view thereof.

FIG. 8 is a bottom view thereof.

FIG. 9 is a front perspective view of the rig for electrophoresis gel casting of the first embodiment in an alternative position.

FIG. 10 is a back perspective thereof.

FIG. 11 is a front view thereof.

FIG. 12 is a back view thereof.

FIG. 13 is a right side view thereof.

FIG. 14 is a left side view thereof.

FIG. 15 is a top view thereof.

FIG. 16 is a bottom view thereof.

FIG. 17 is a front perspective view of a second embodiment of a rig for electrophoresis gel casting showing our new design.

FIG. 18 is a back perspective thereof.

FIG. 19 is a front view thereof.

FIG. 20 is a back view thereof.

FIG. 21 is a right side view thereof.

FIG. 22 is a left side view thereof.

FIG. 23 is a top view thereof.

FIG. 24 is a bottom view thereof.

FIG. 25 is a front perspective view of the rig for electrophoresis gel casting of the second embodiment in an alternative position.

(Continued)

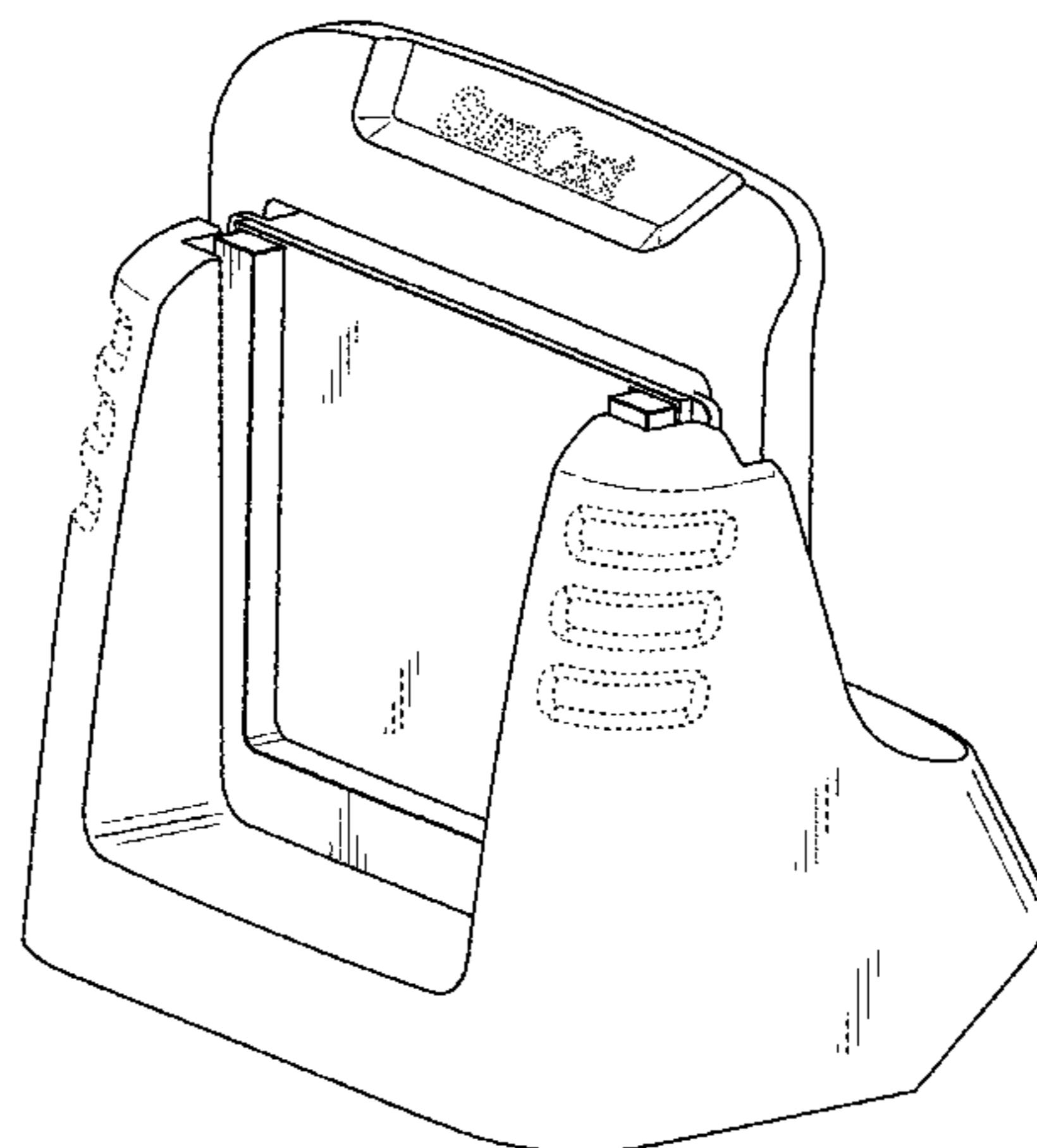


FIG. 26 is a back perspective thereof.
FIG. 27 is a front view thereof.
FIG. 28 is a back view thereof.
FIG. 29 is a right side view thereof.
FIG. 30 is a left side view thereof.
FIG. 31 is a top view thereof; and,
FIG. 32 is a bottom view thereof.
The broken lines represent portions of the rig for electrophoresis gel casting that form no part of the claimed design.
The broken lines form no part of the claimed design.

1 Claim, 16 Drawing Sheets

(58) **Field of Classification Search**
CPC G01N 27/447; G01N 27/44726; G01N 27/44704; G01N 27/44778; C12Q 1/6869
See application file for complete search history.

(56)

References Cited

U.S. PATENT DOCUMENTS

D505,729	S *	5/2005	Lee	D24/233
D510,770	S *	10/2005	Emerson	D24/233
D654,597	S *	2/2012	Hiramura	D24/186
D757,958	S *	5/2016	Murray	D24/233
2007/0205108	A1 *	9/2007	Jean	G01N 27/44704 204/606
2011/0042217	A1 *	2/2011	Updyke	G01N 27/44778 204/620
2014/0045250	A1 *	2/2014	Kreifels	C12Q 1/686 435/287.2
2016/0084797	A1 *	3/2016	Goh	G01N 27/44704 204/619

* cited by examiner

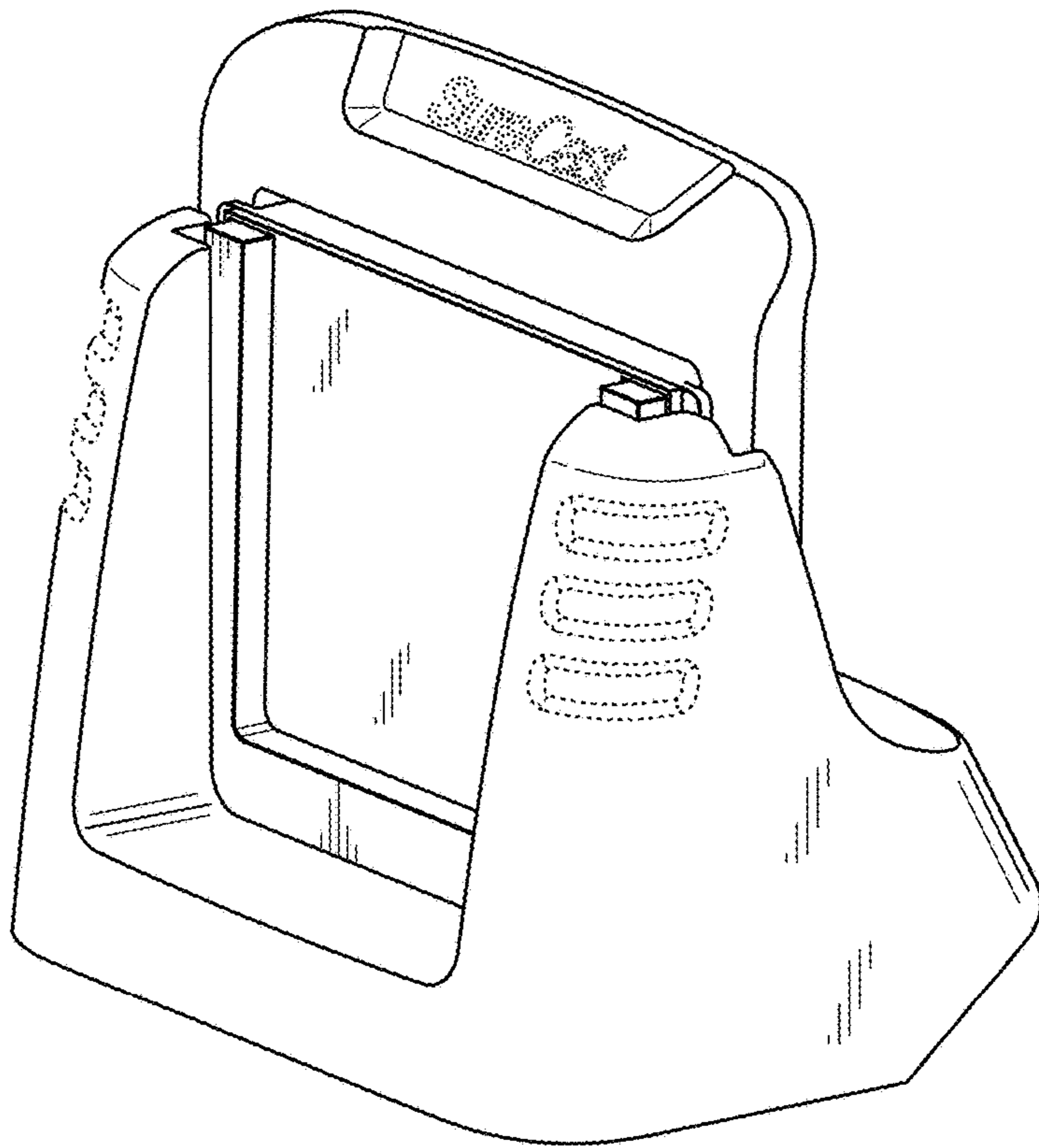


FIG. 1

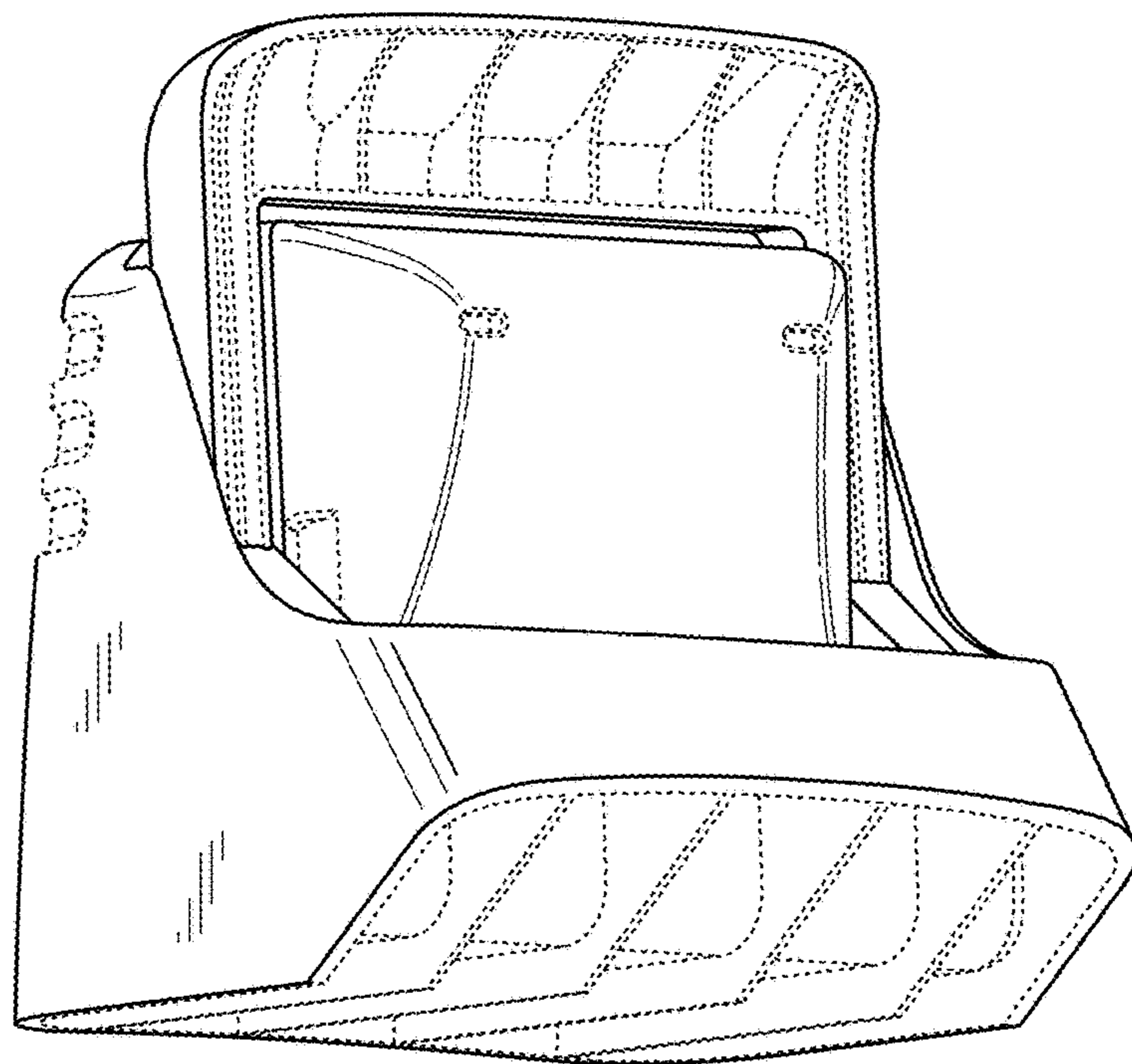


FIG. 2

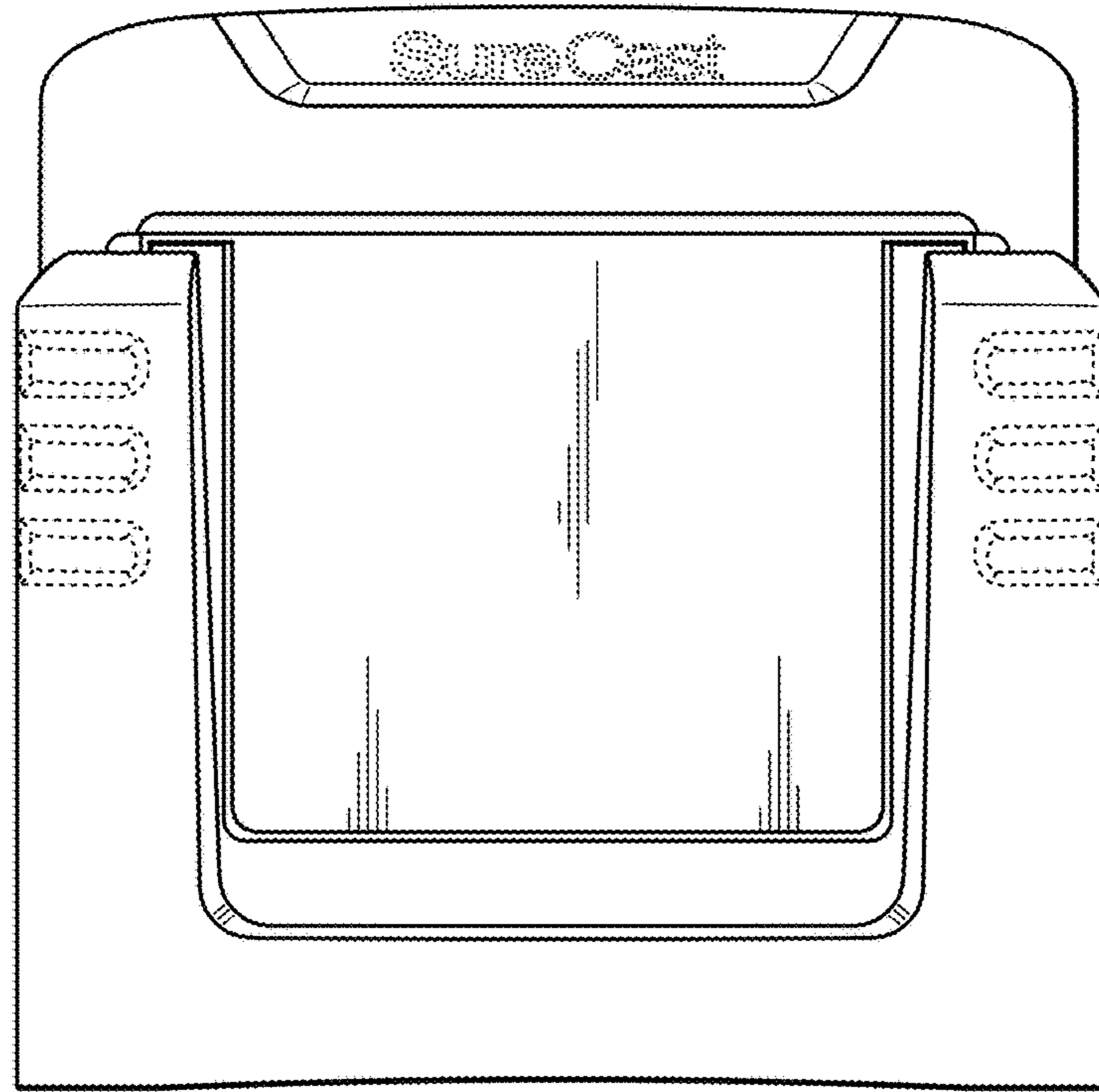


FIG. 3

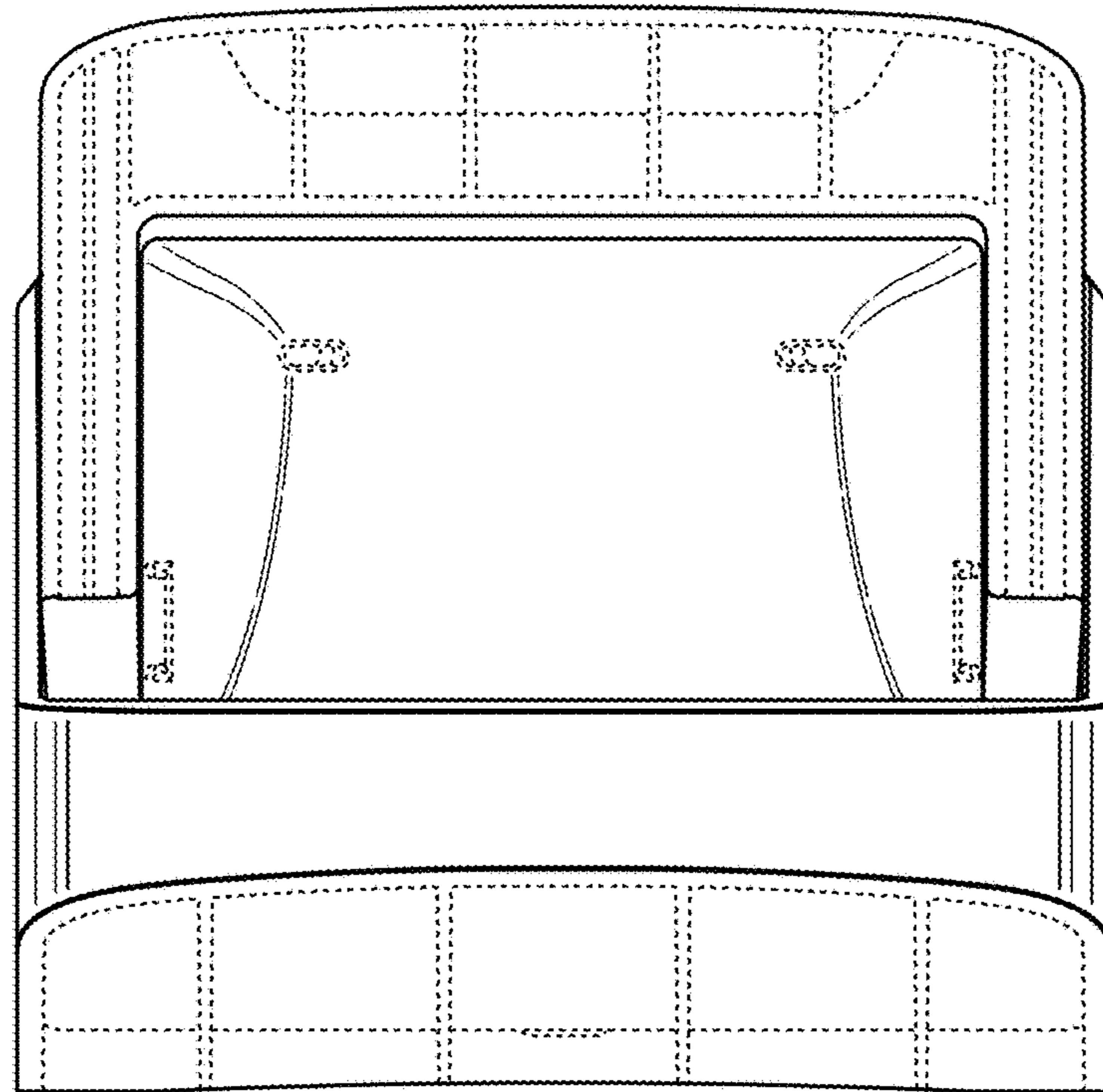


FIG. 4

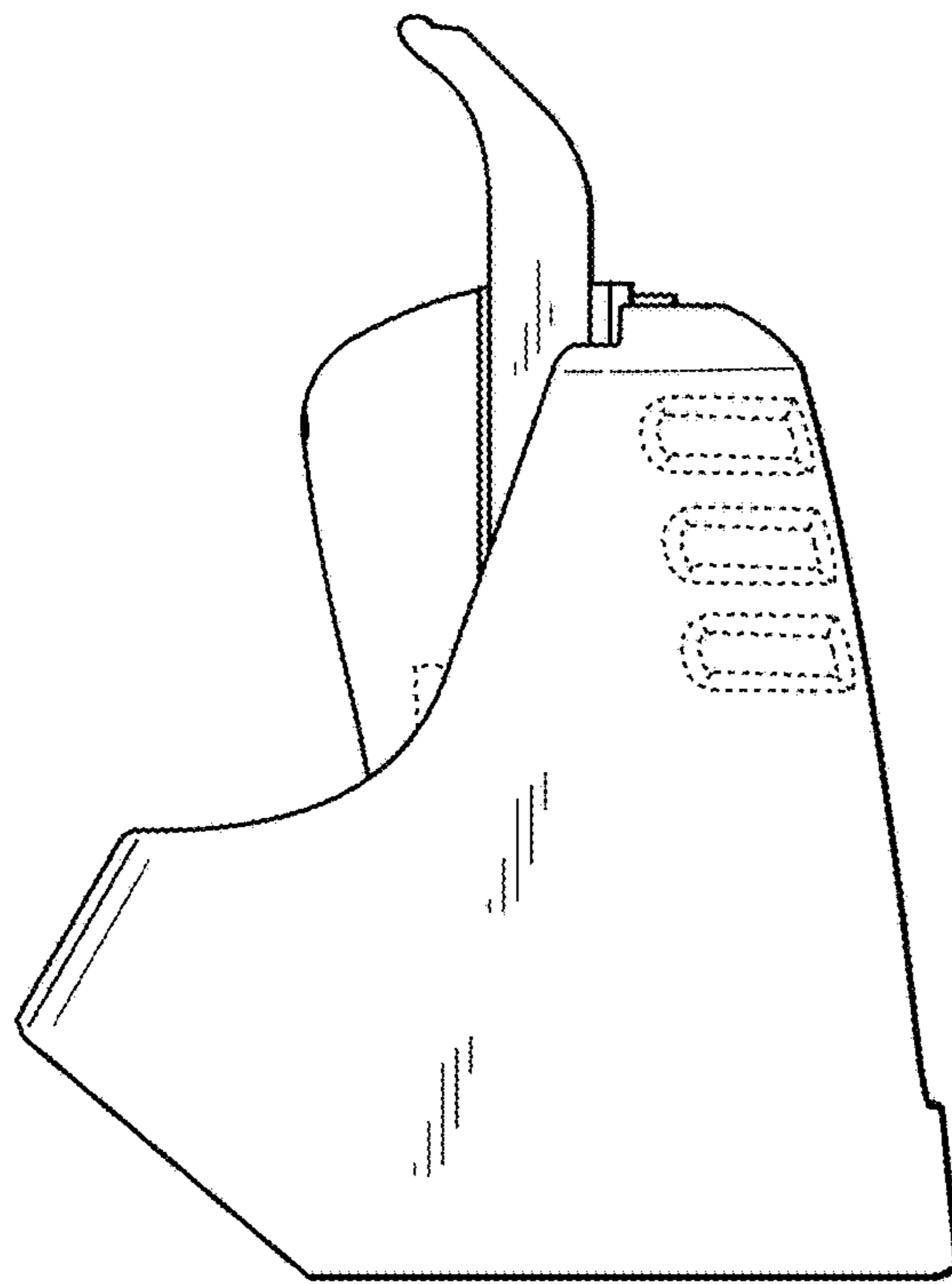


FIG. 5

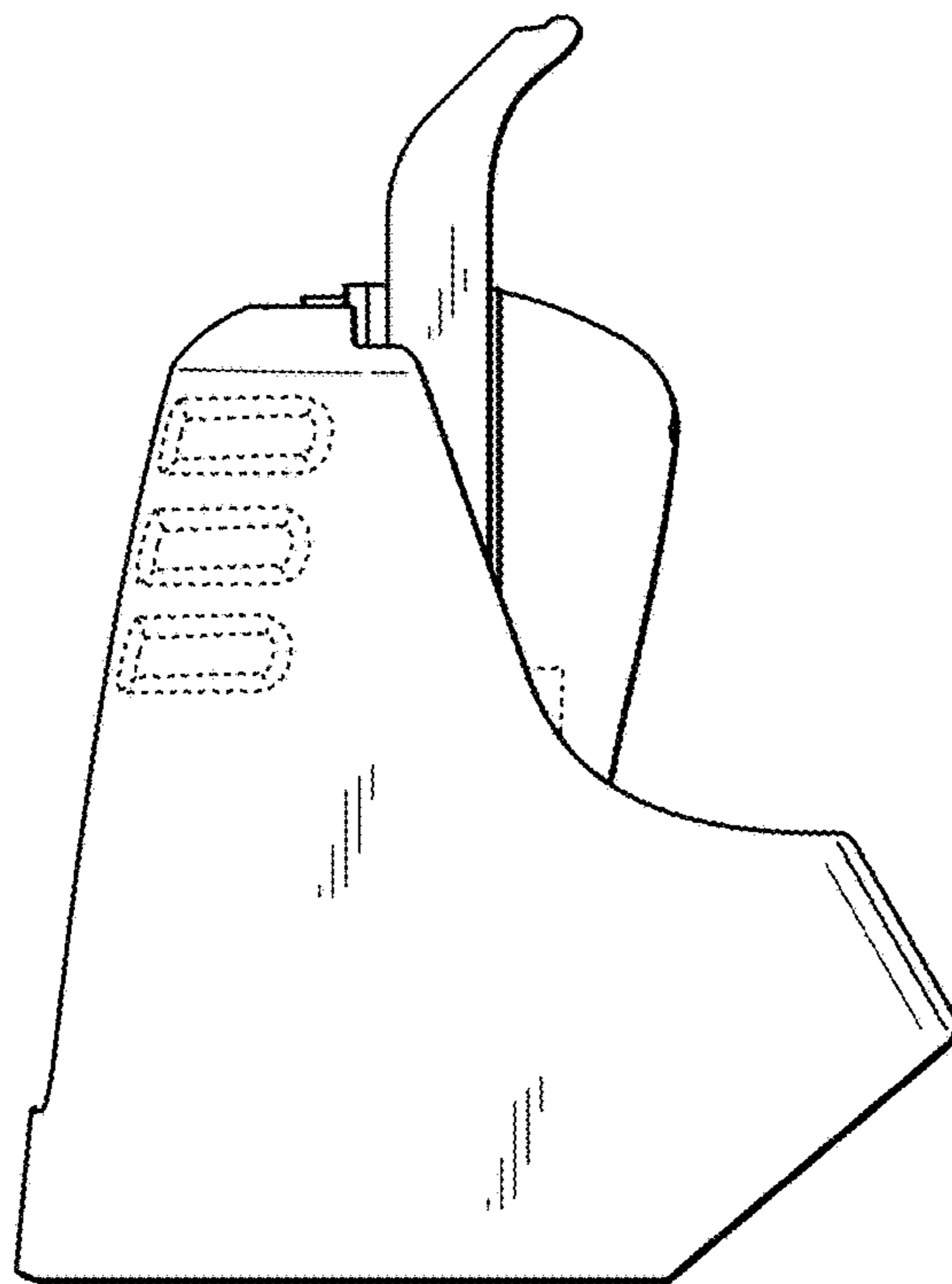


FIG. 6

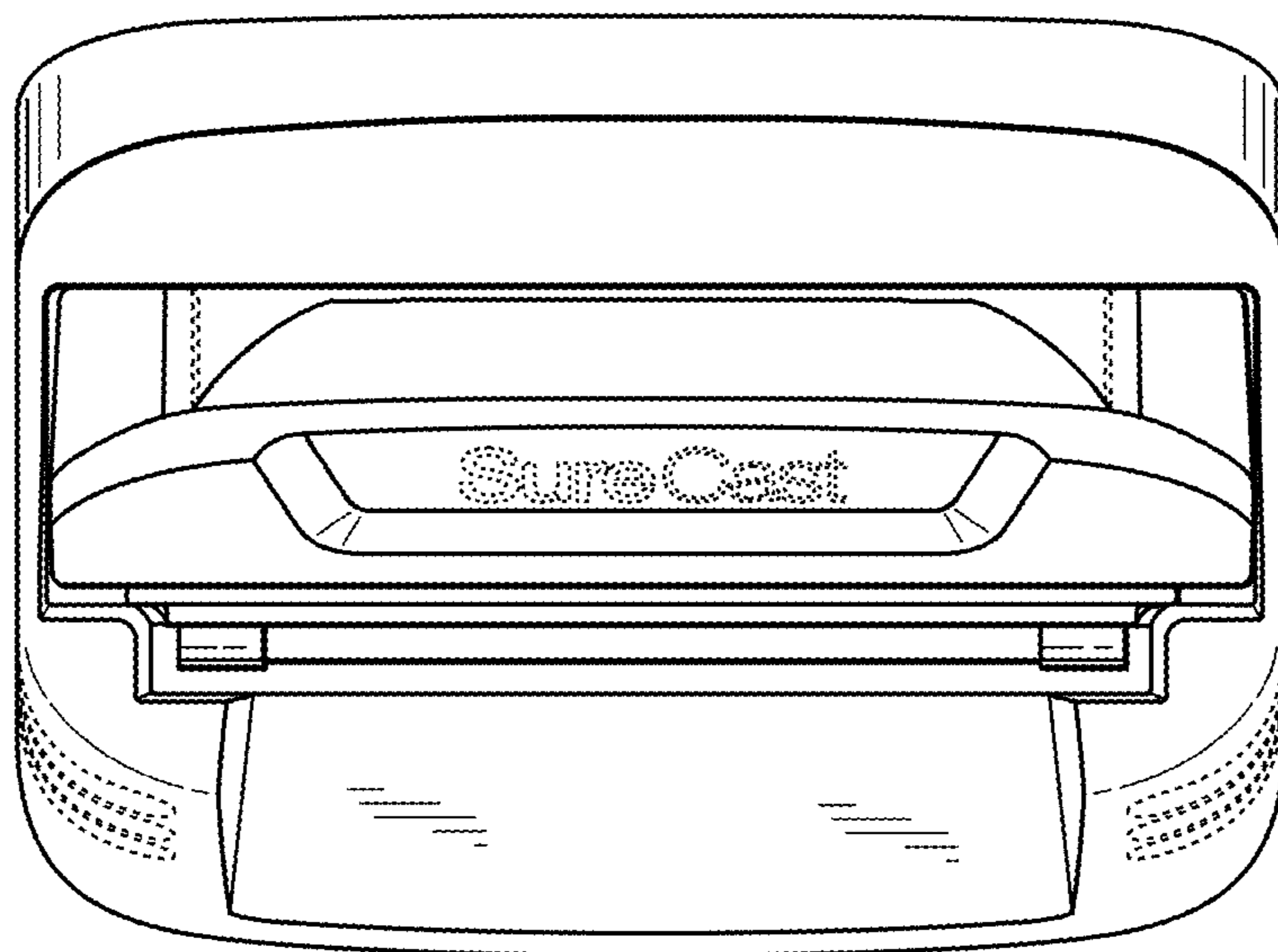


FIG. 7

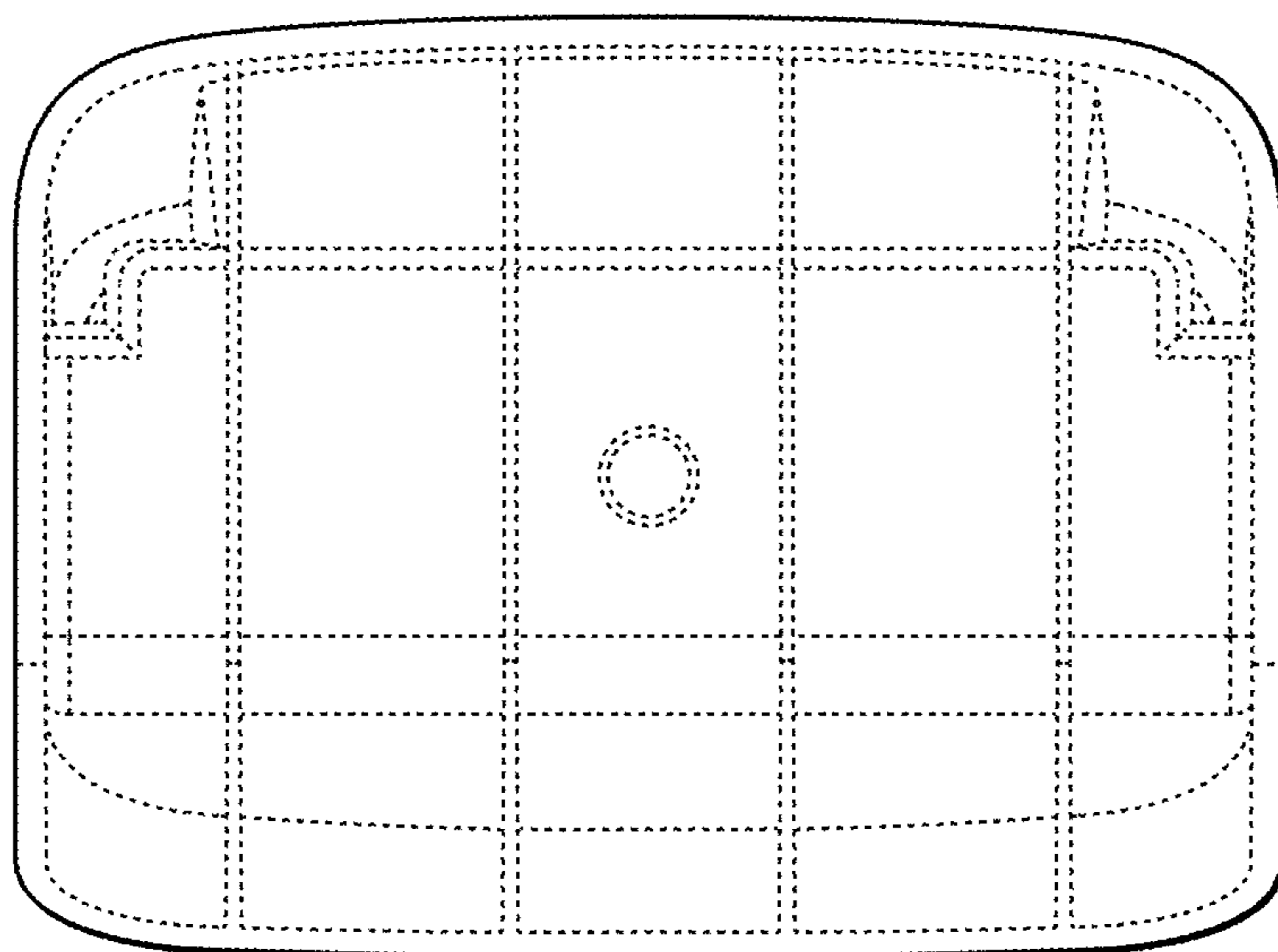


FIG. 8

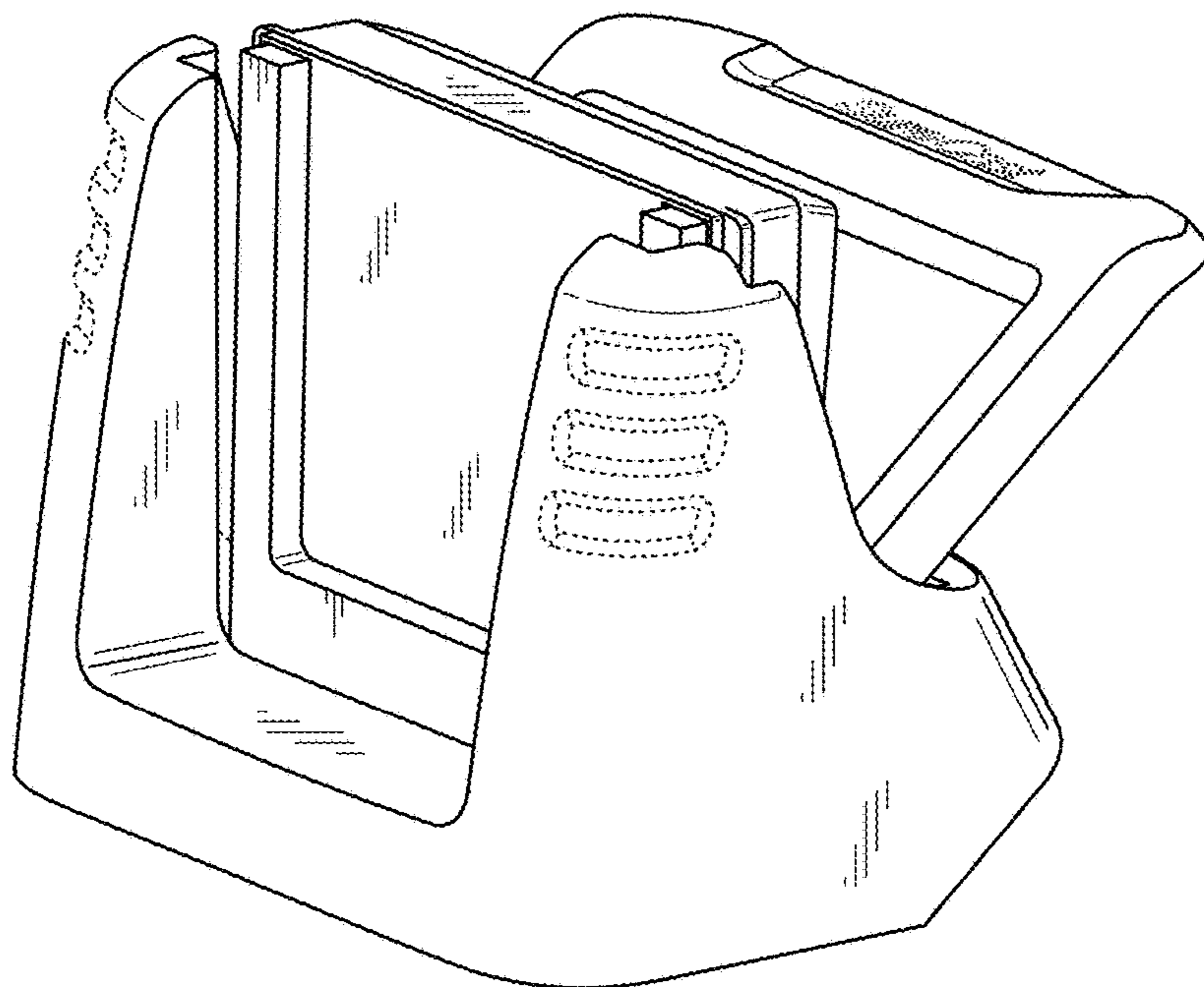


FIG. 9

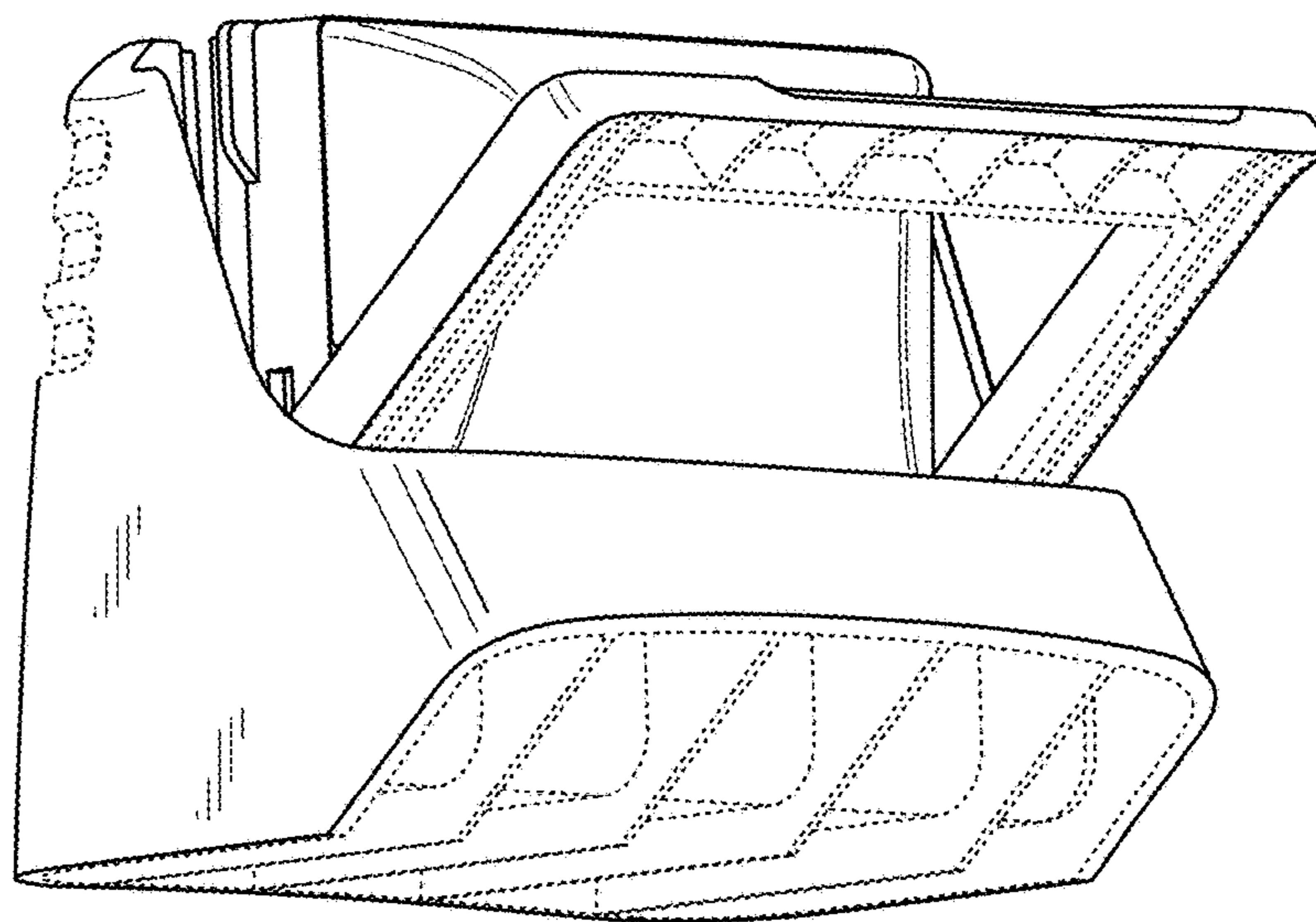


FIG. 10

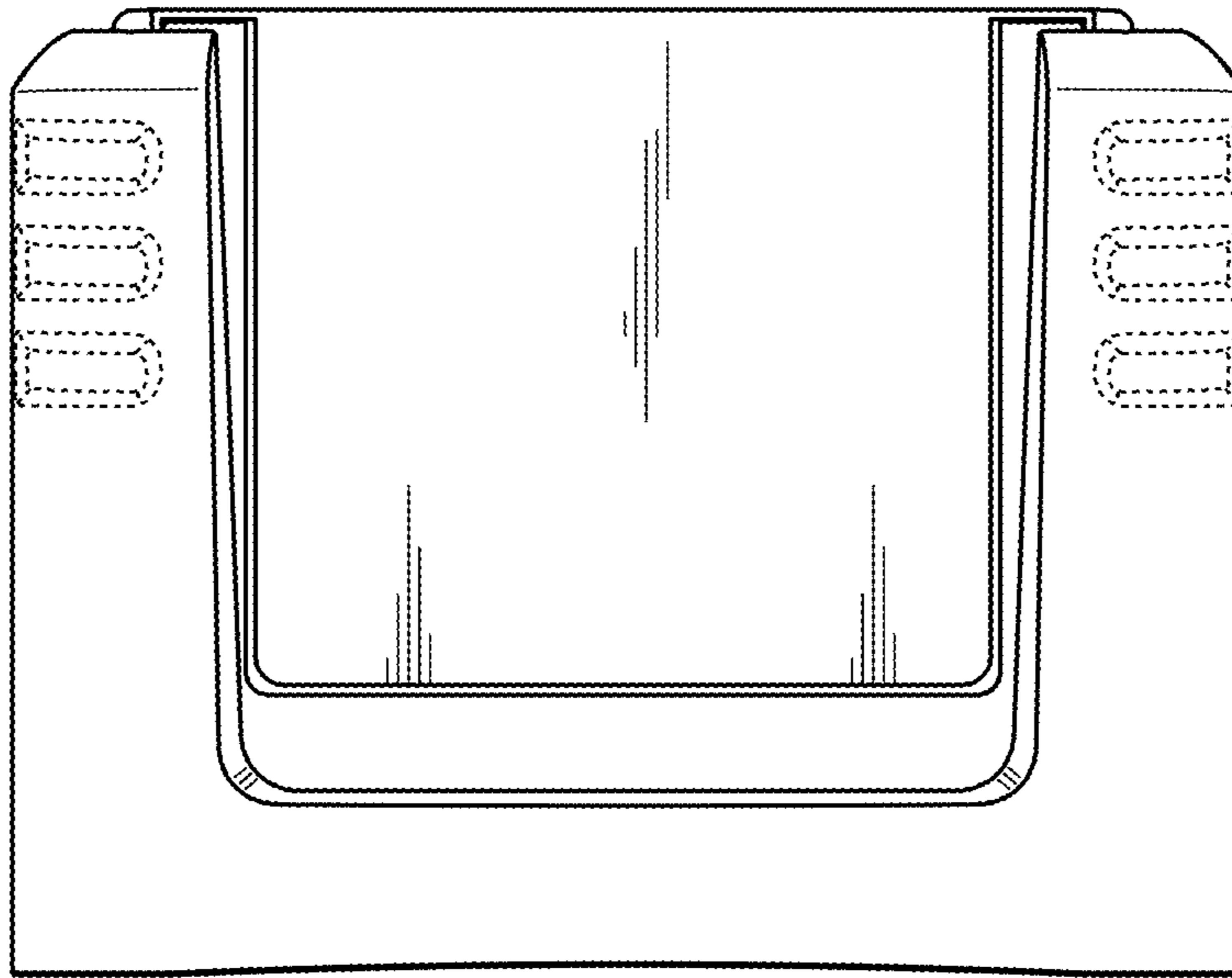


FIG. 11

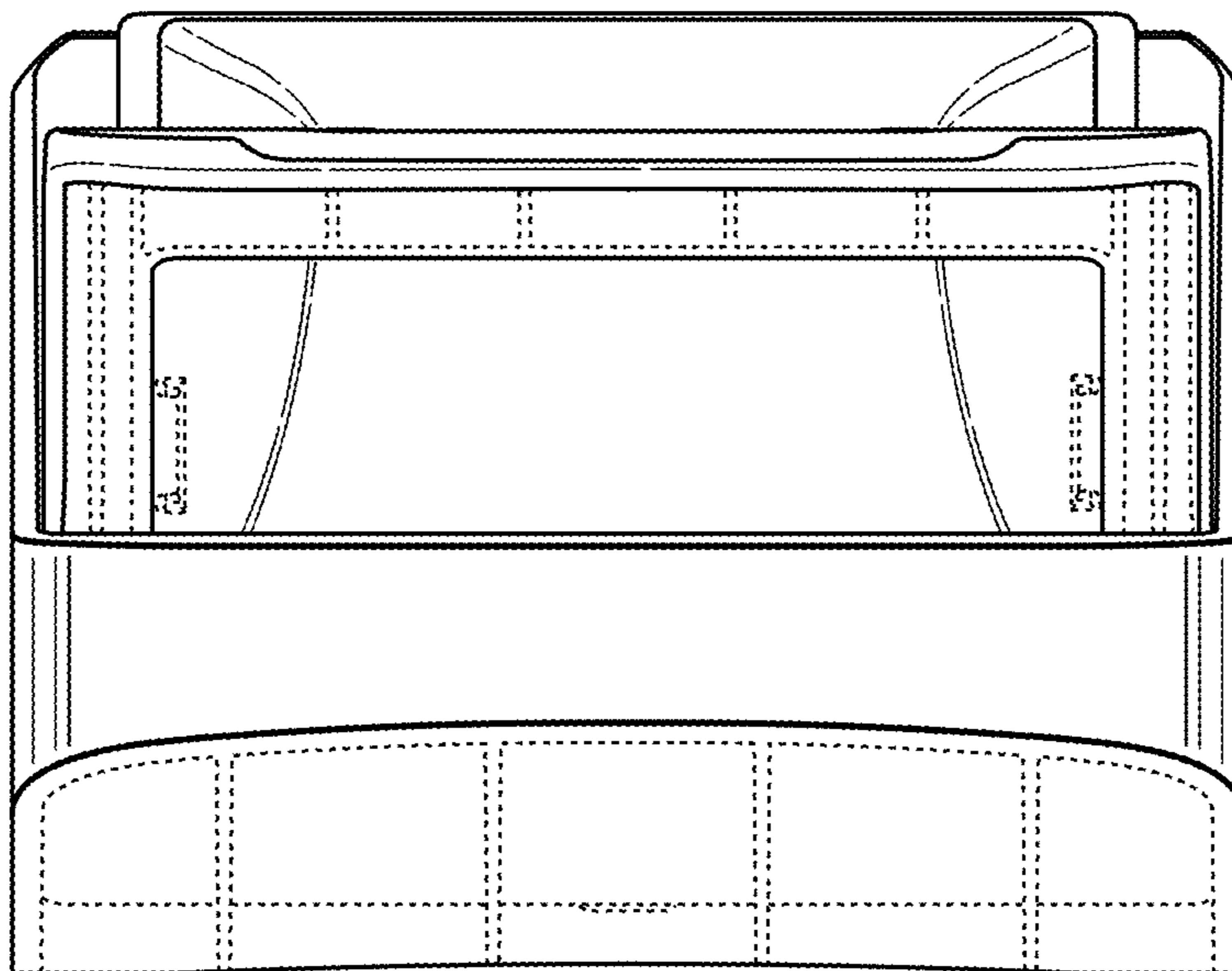


FIG. 12

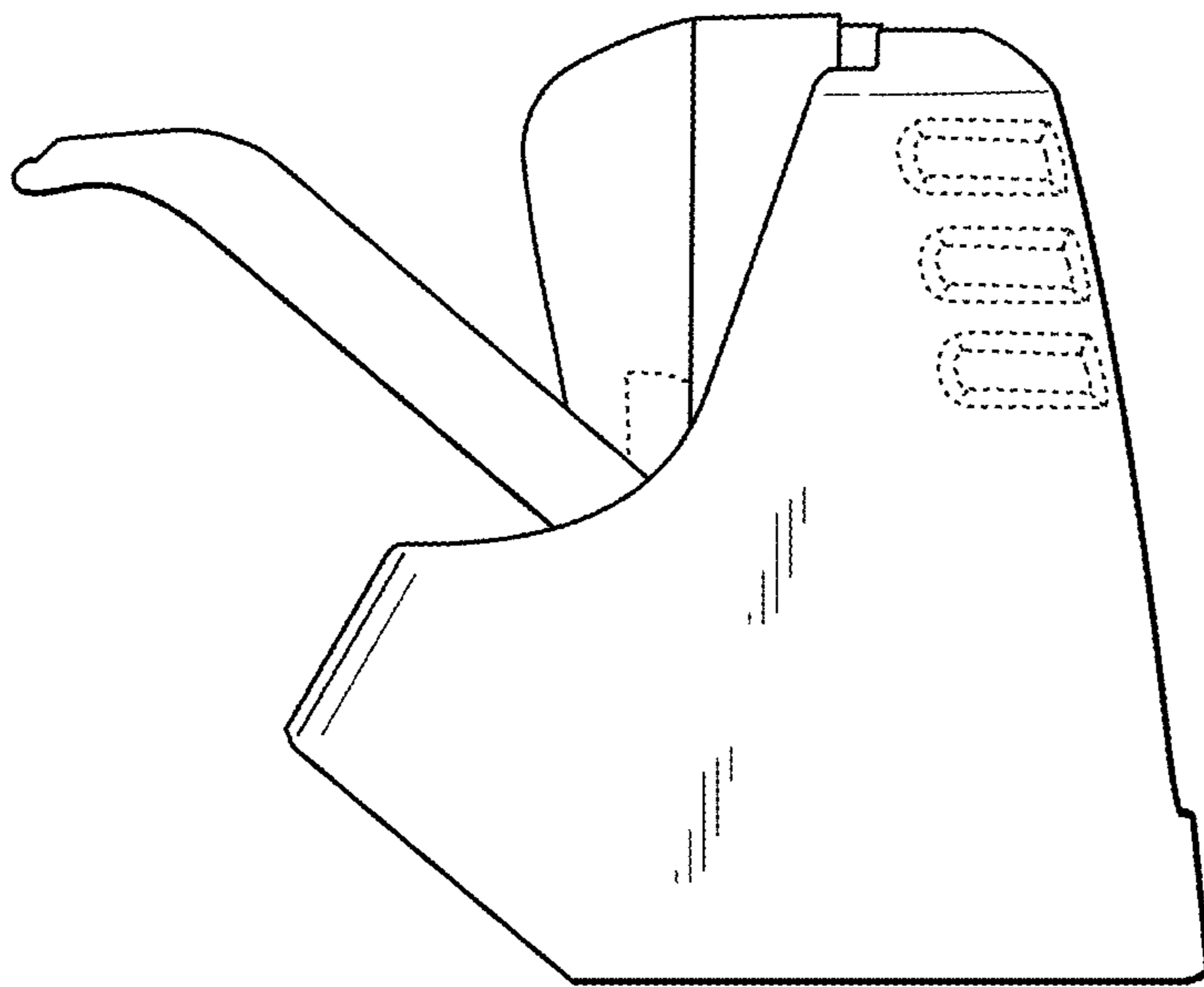


FIG. 13

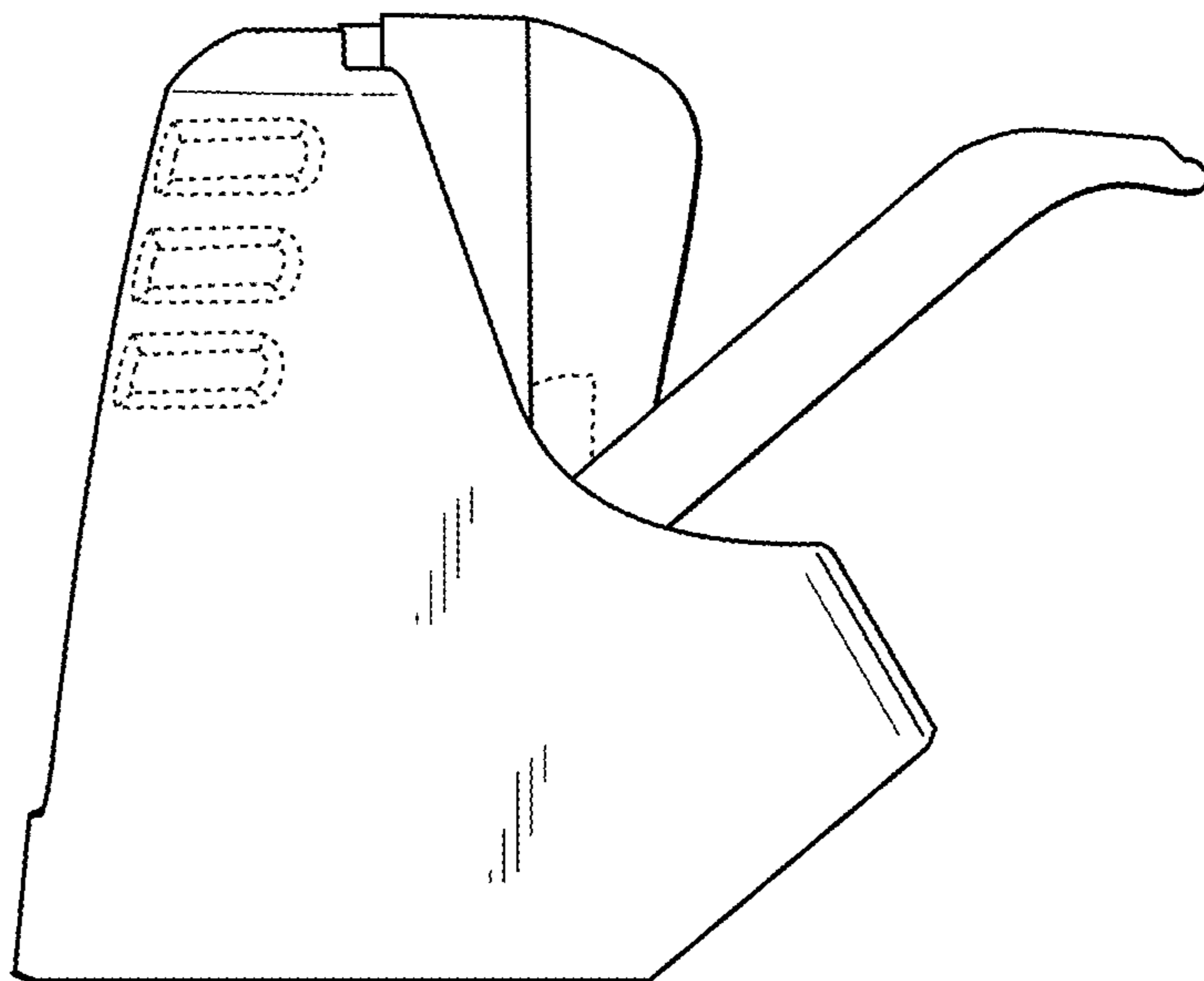


FIG. 14

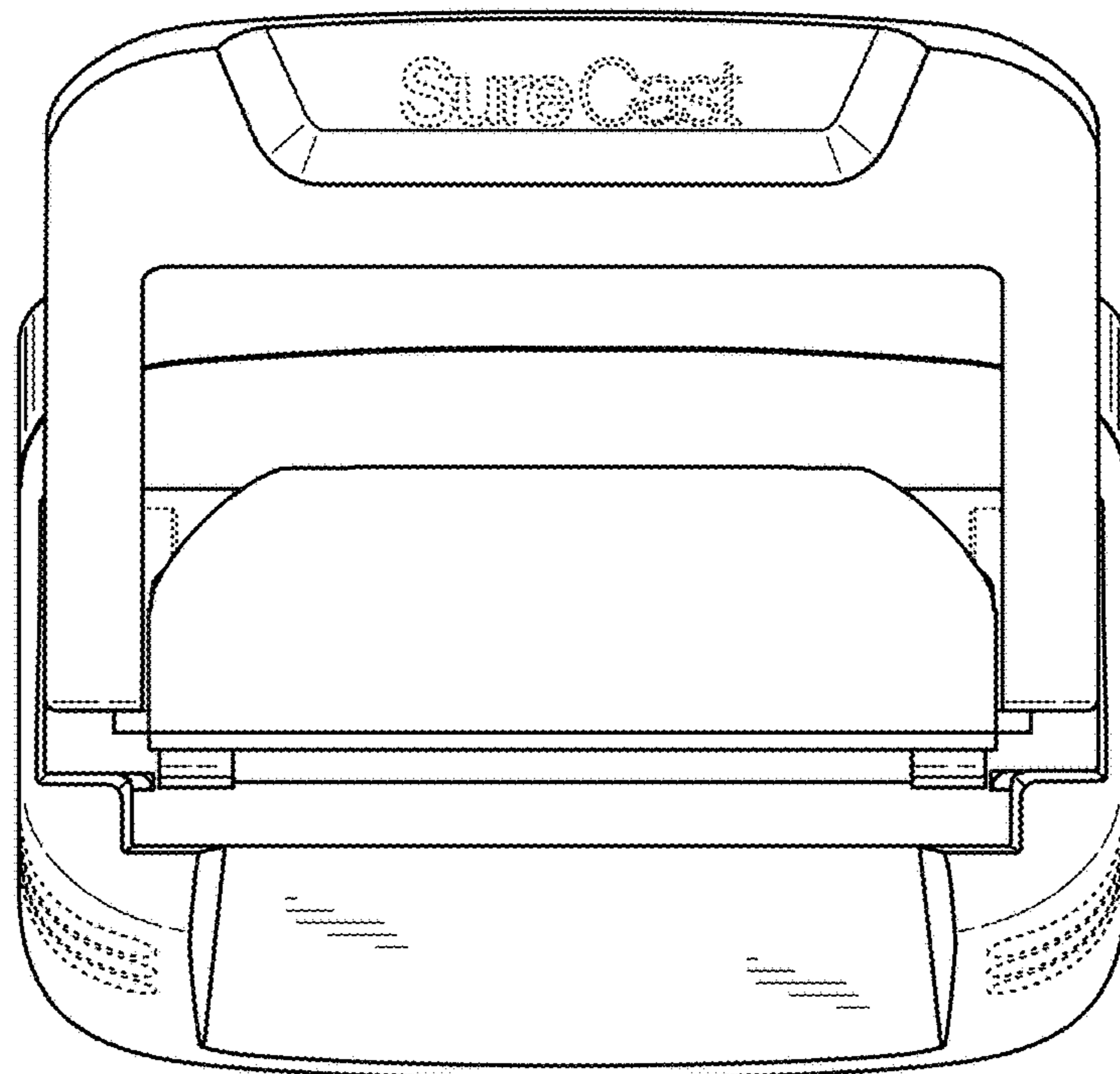


FIG. 15

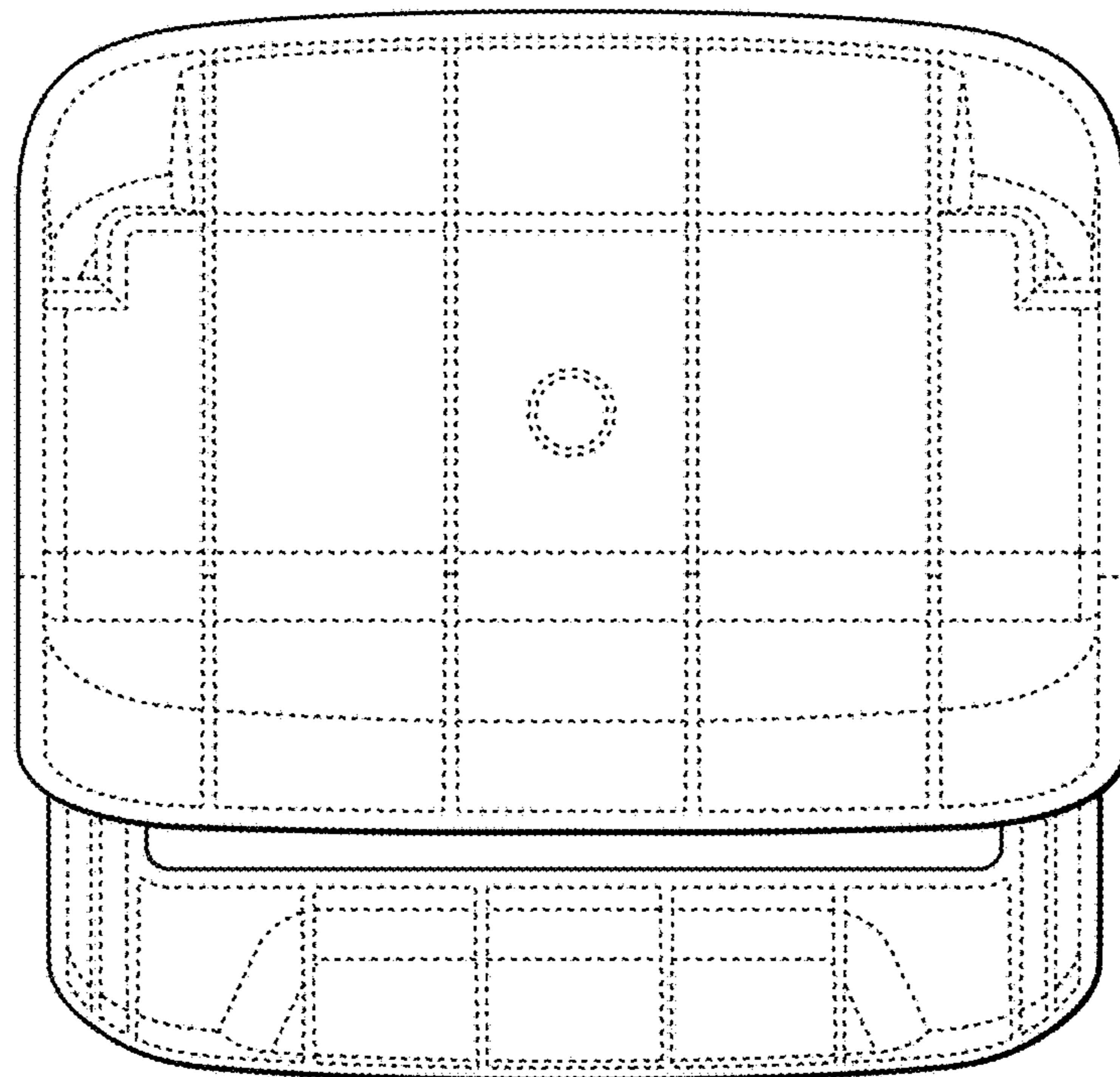


FIG. 16

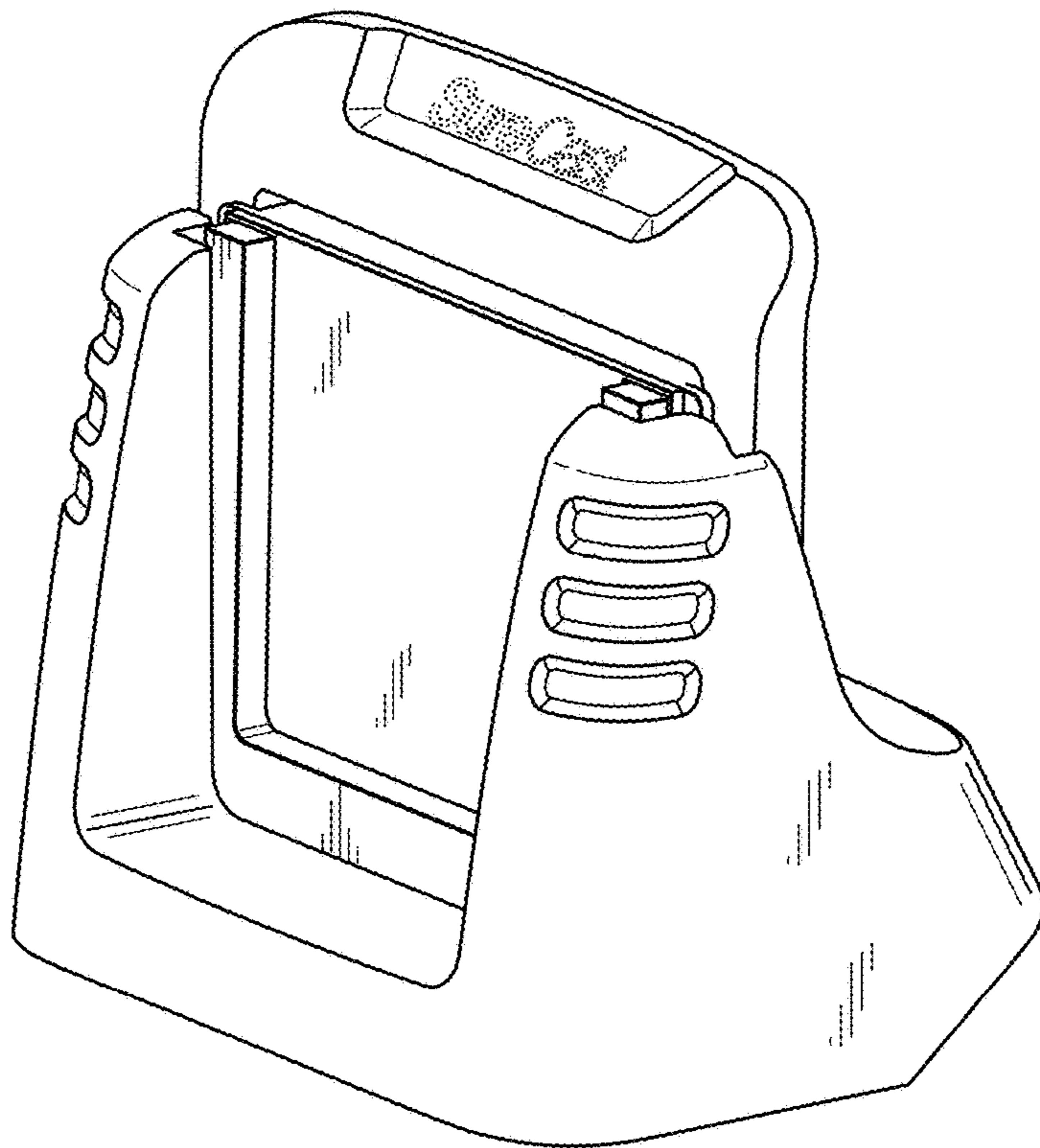


FIG. 17

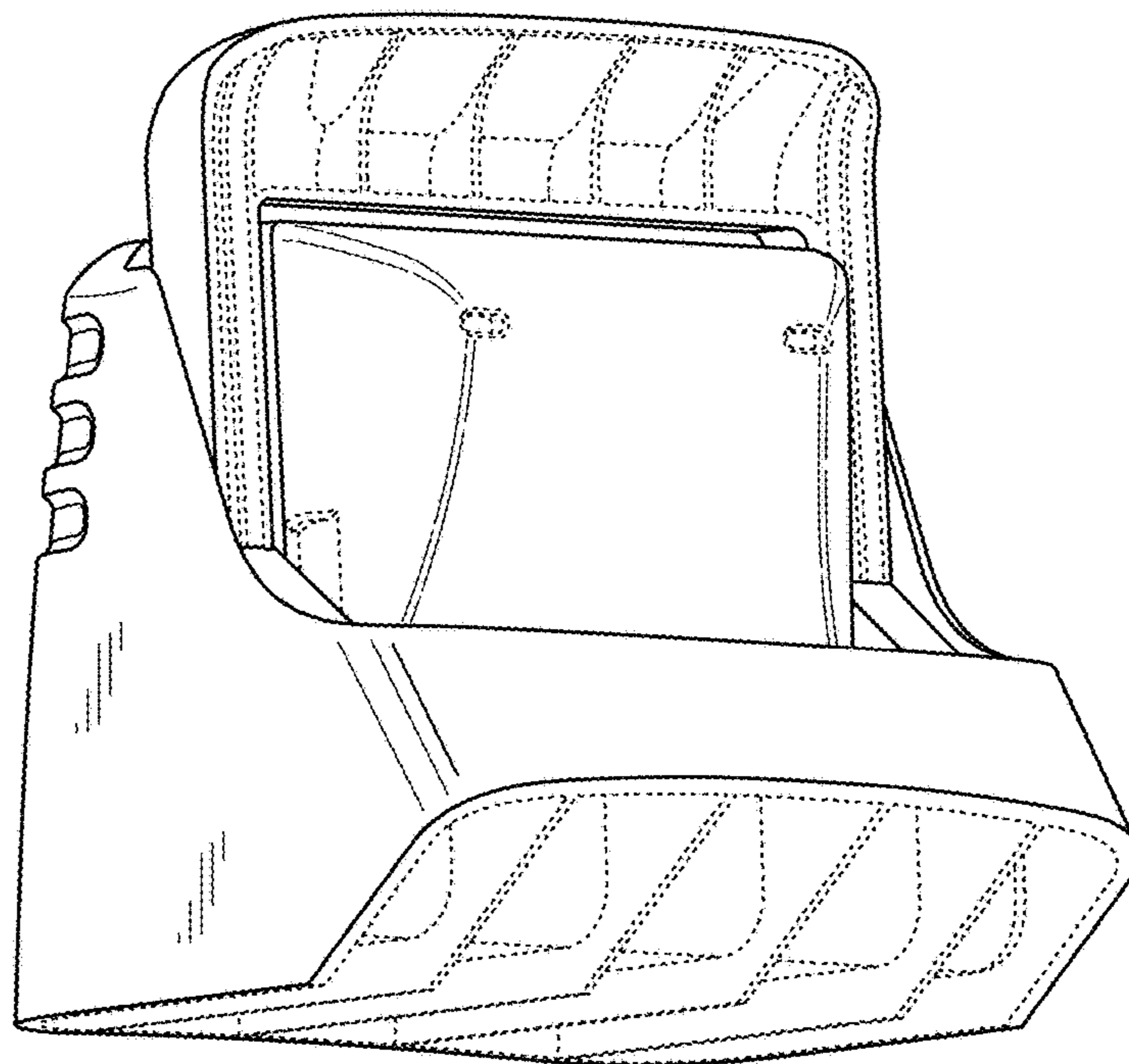


FIG. 18

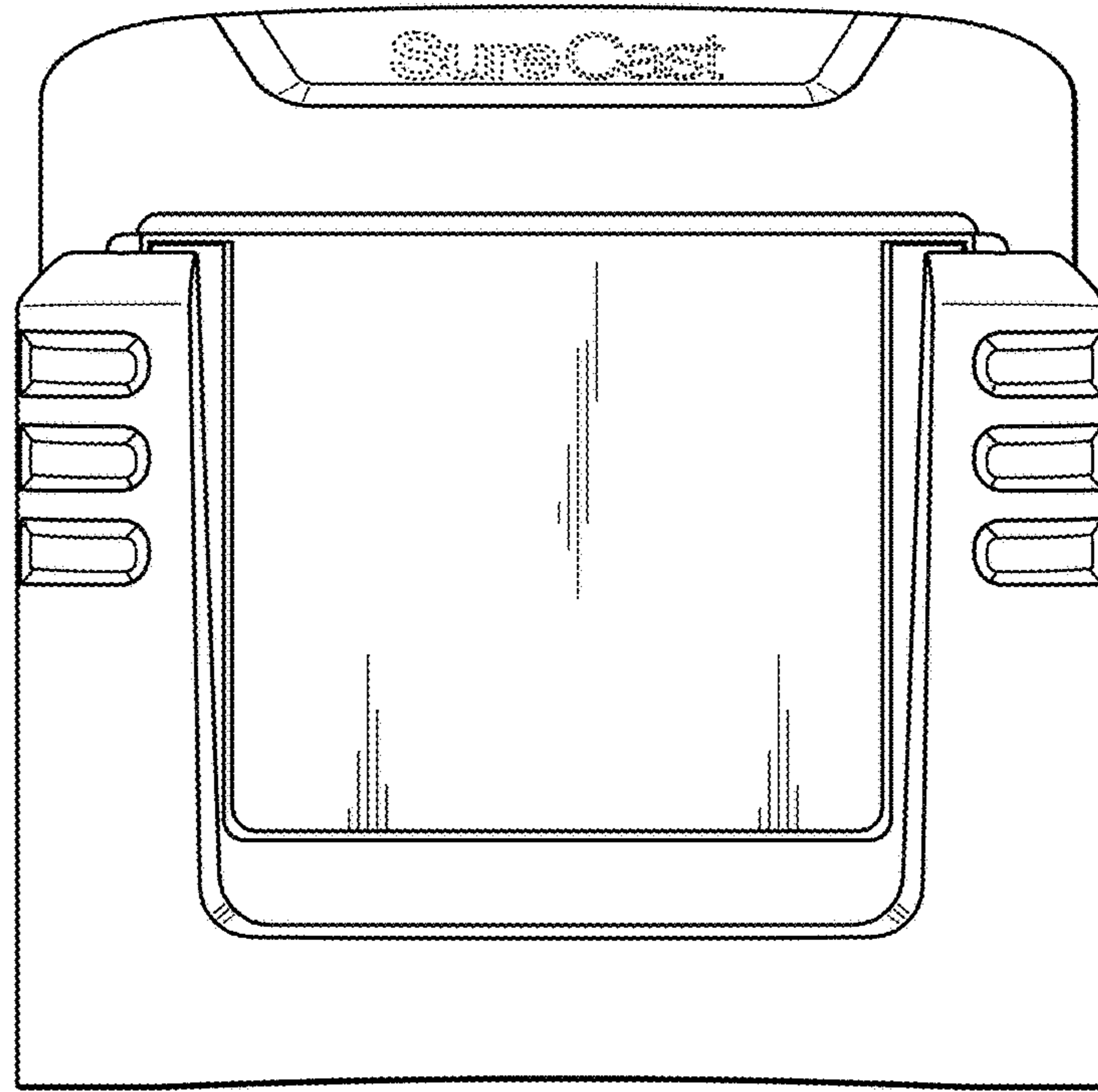


FIG. 19

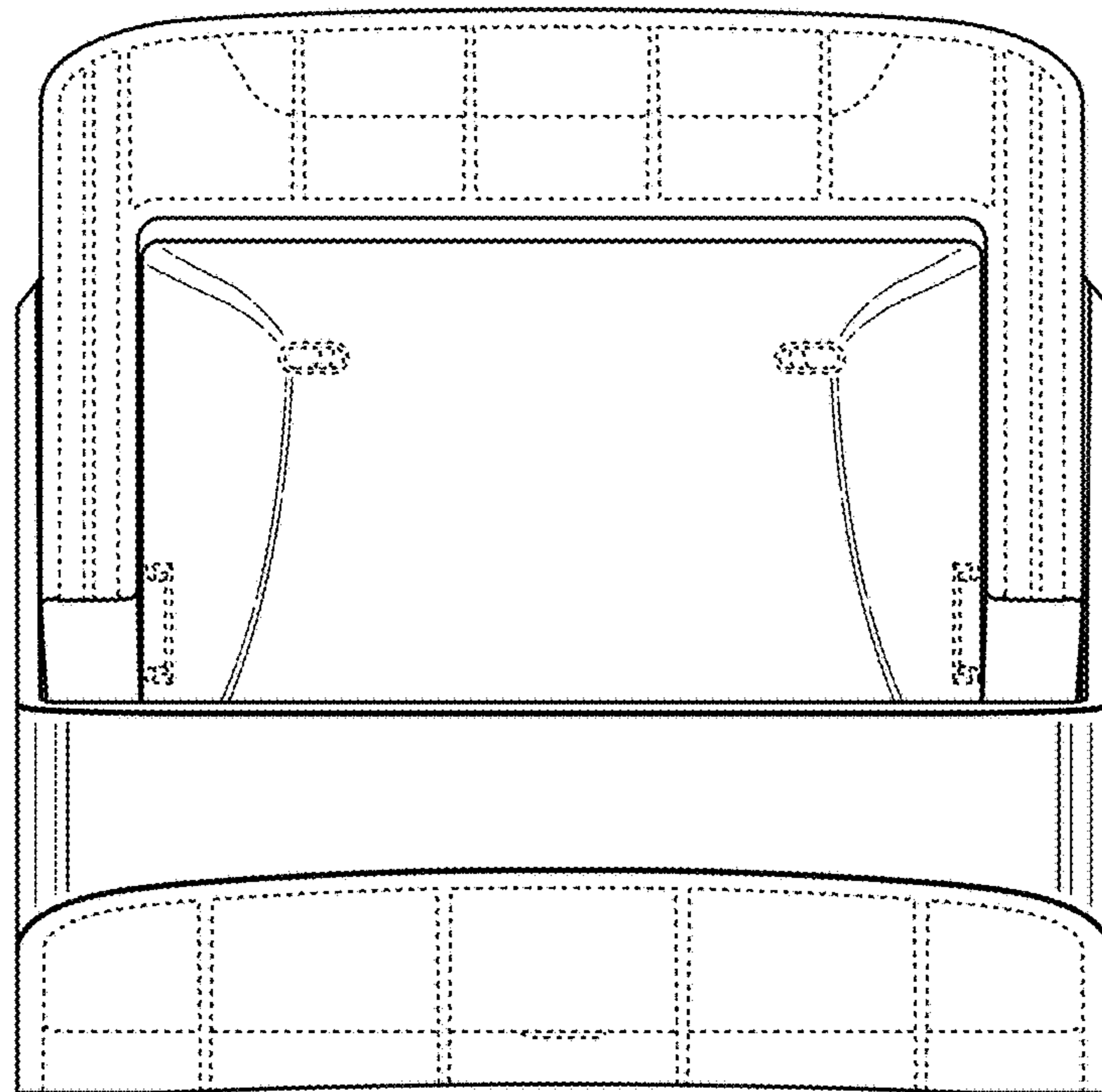


FIG. 20

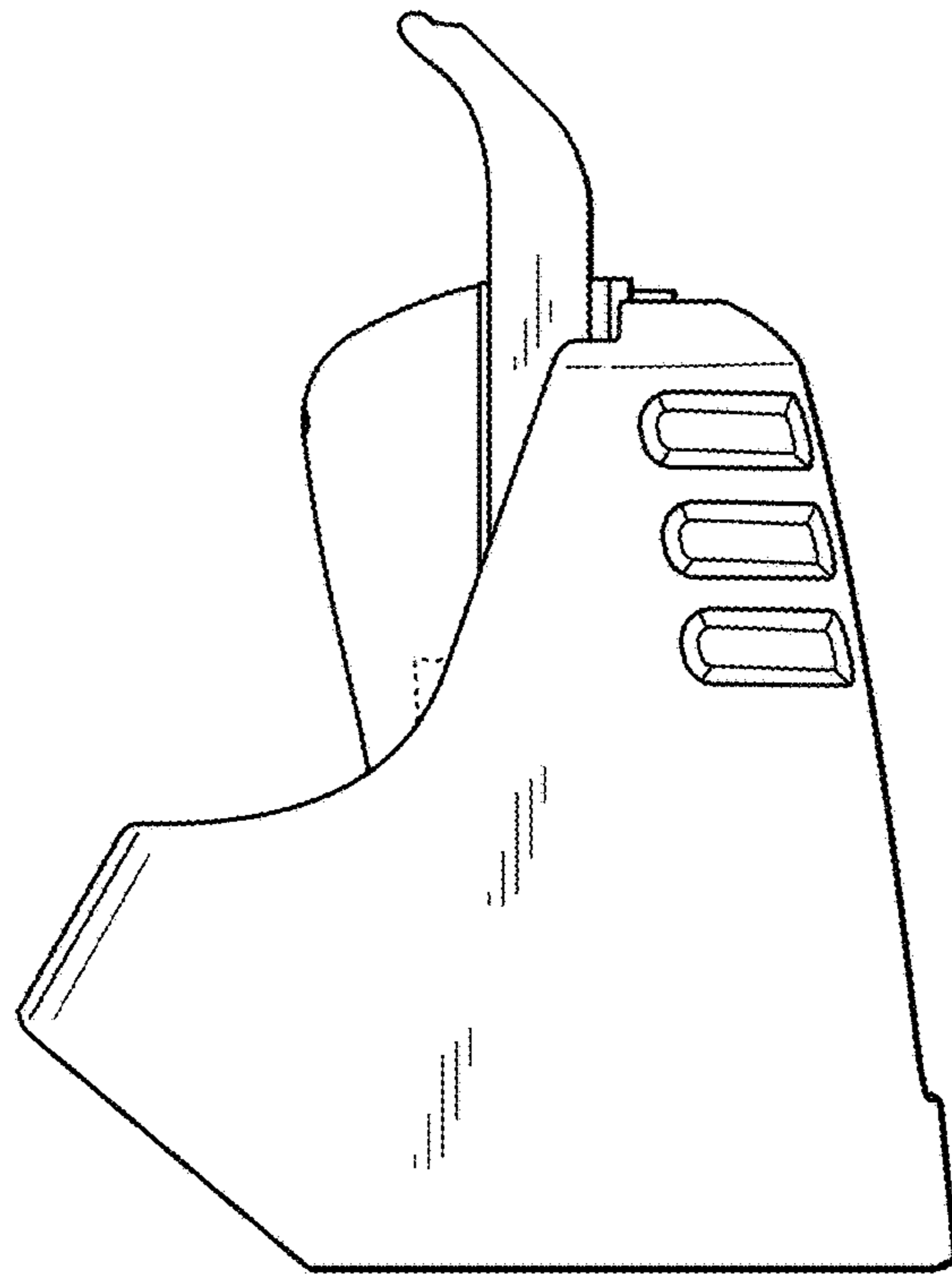


FIG. 21

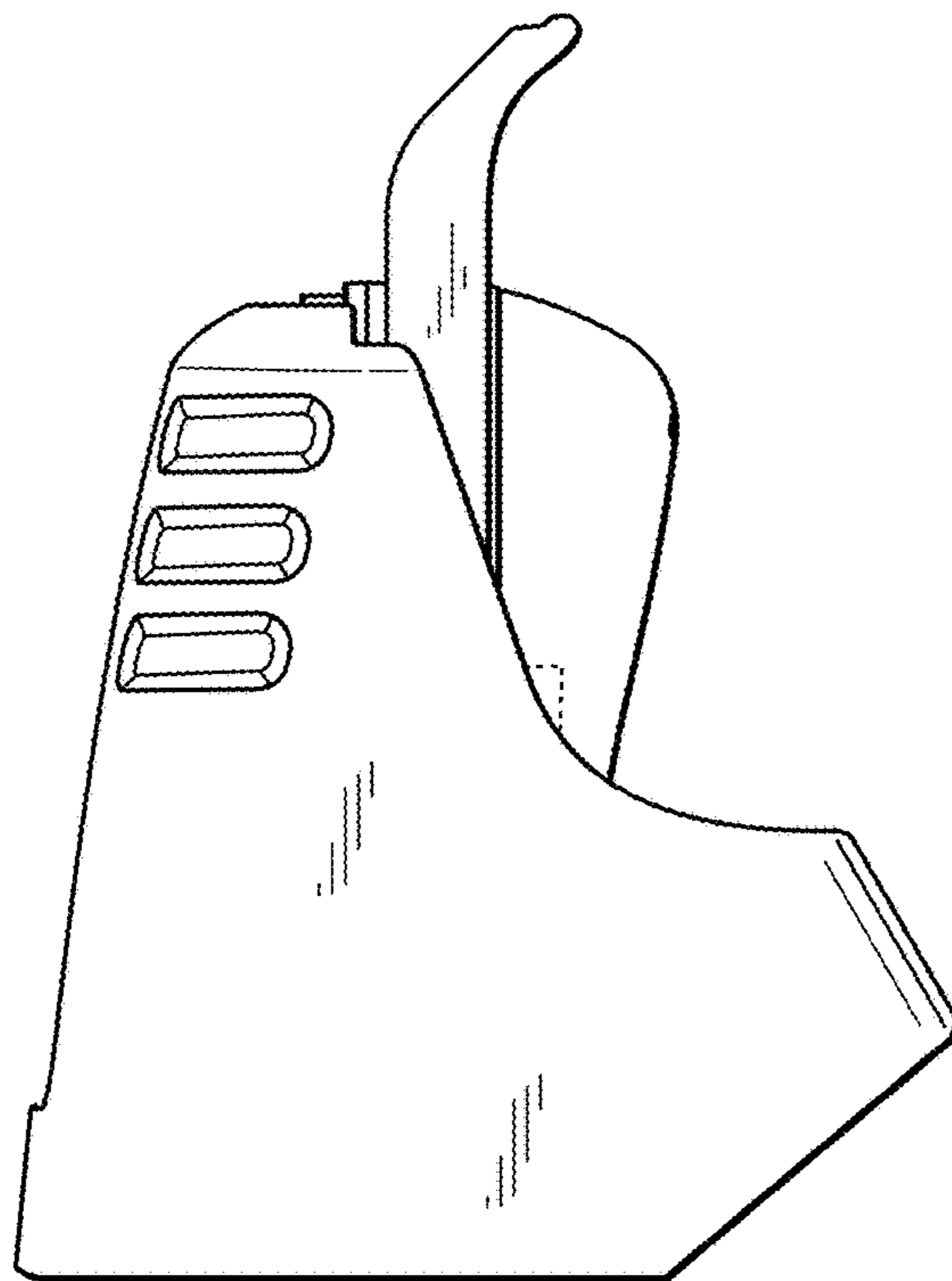


FIG. 22

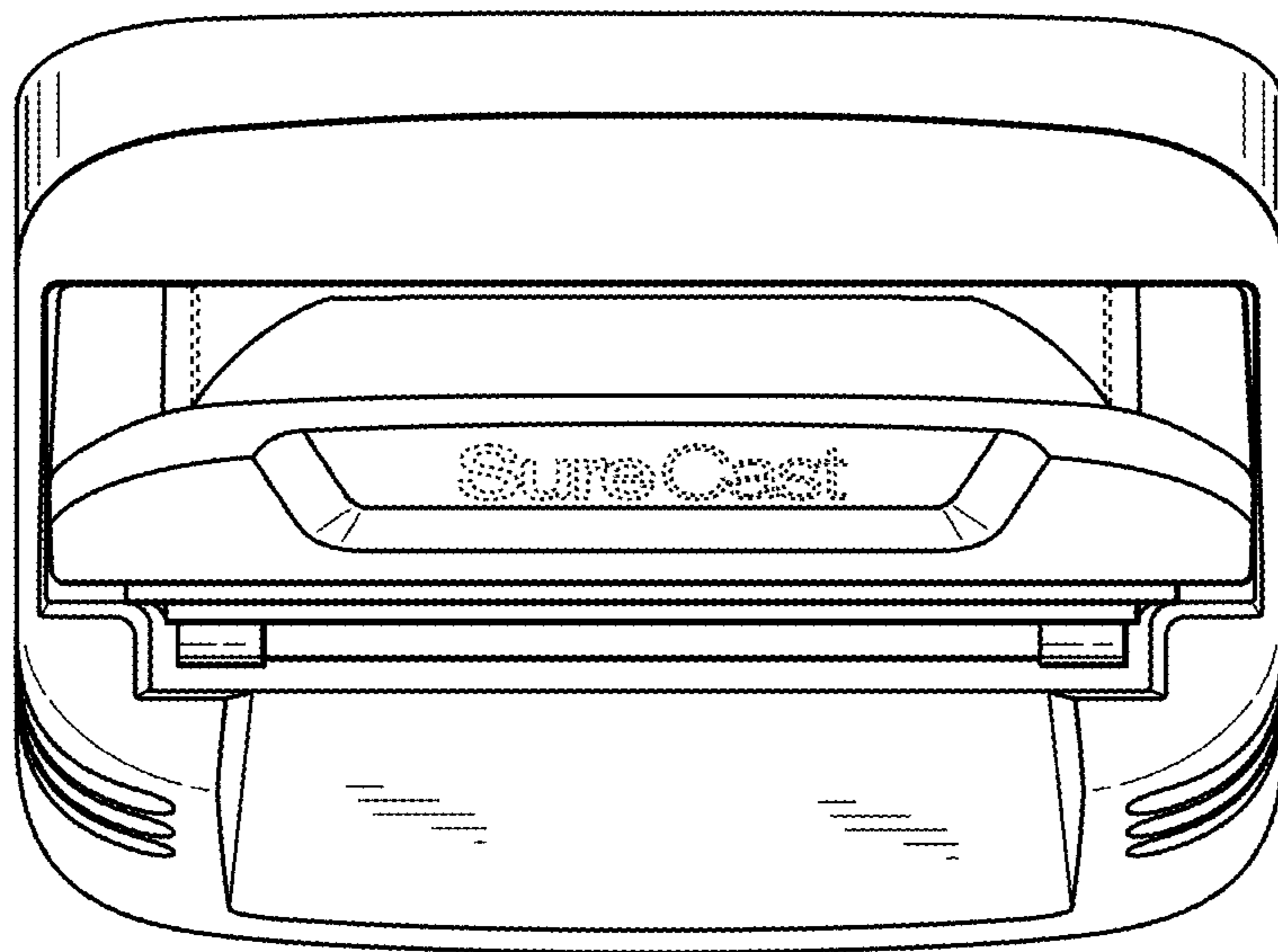


FIG. 23

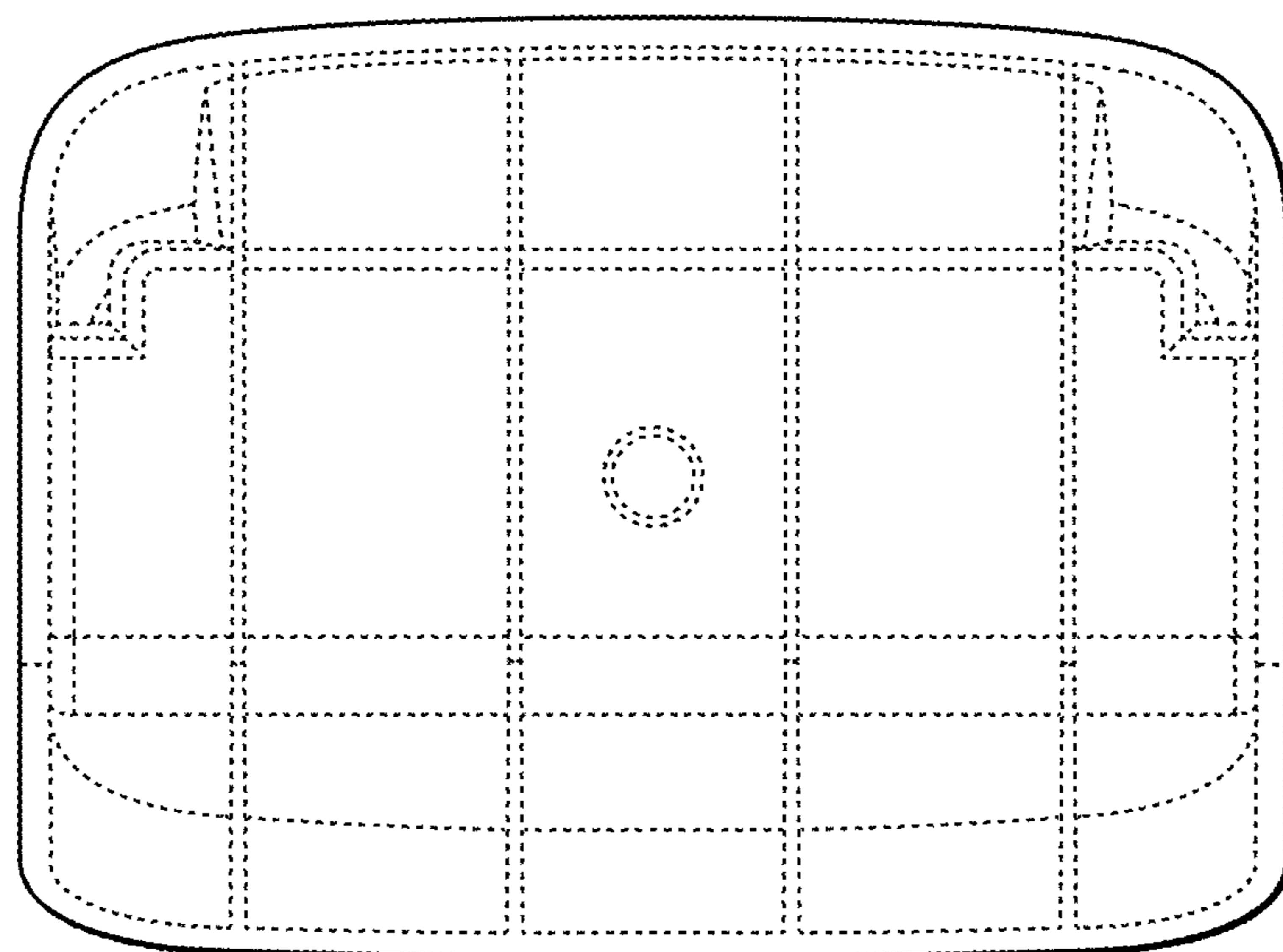


FIG. 24

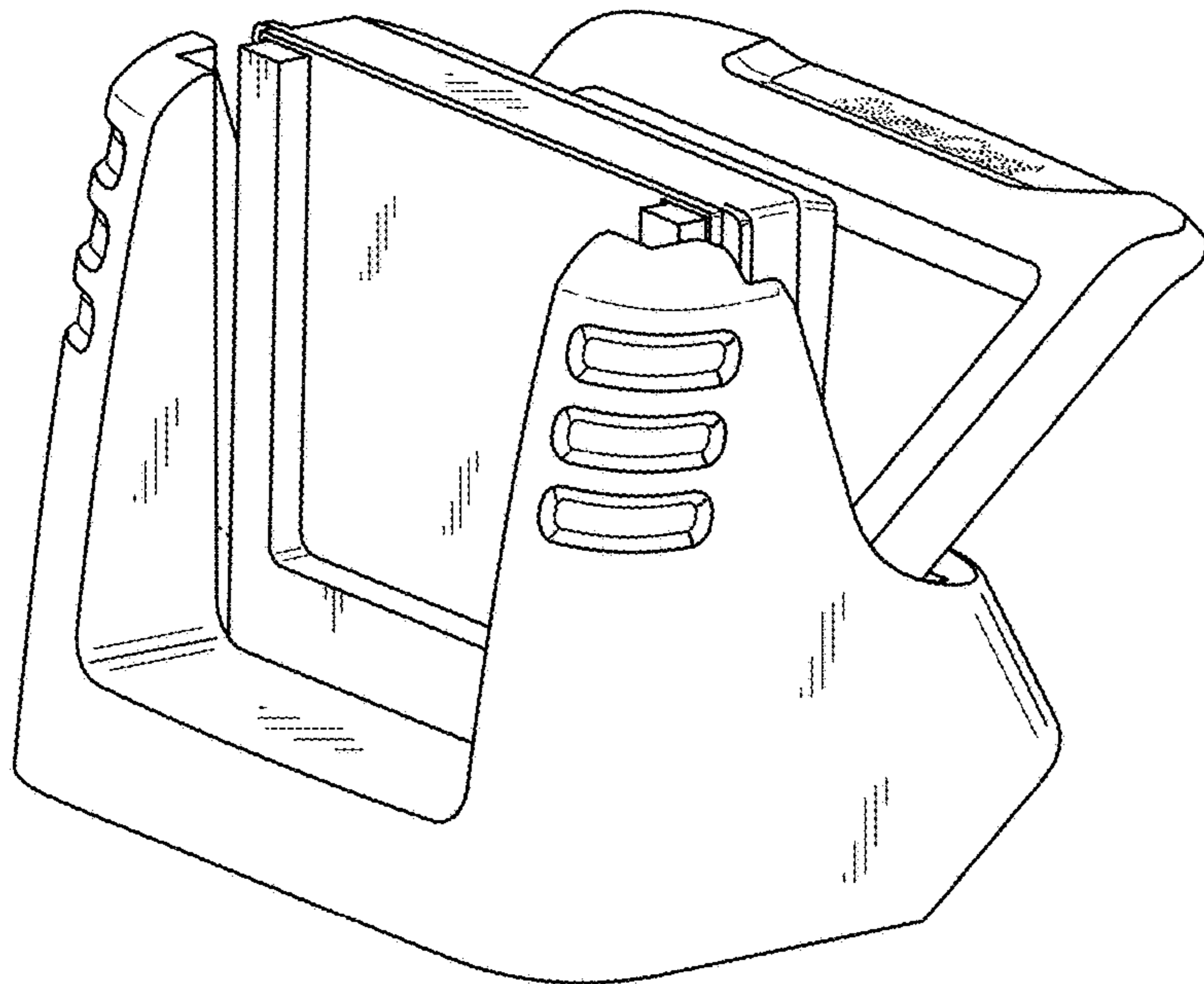


FIG. 25

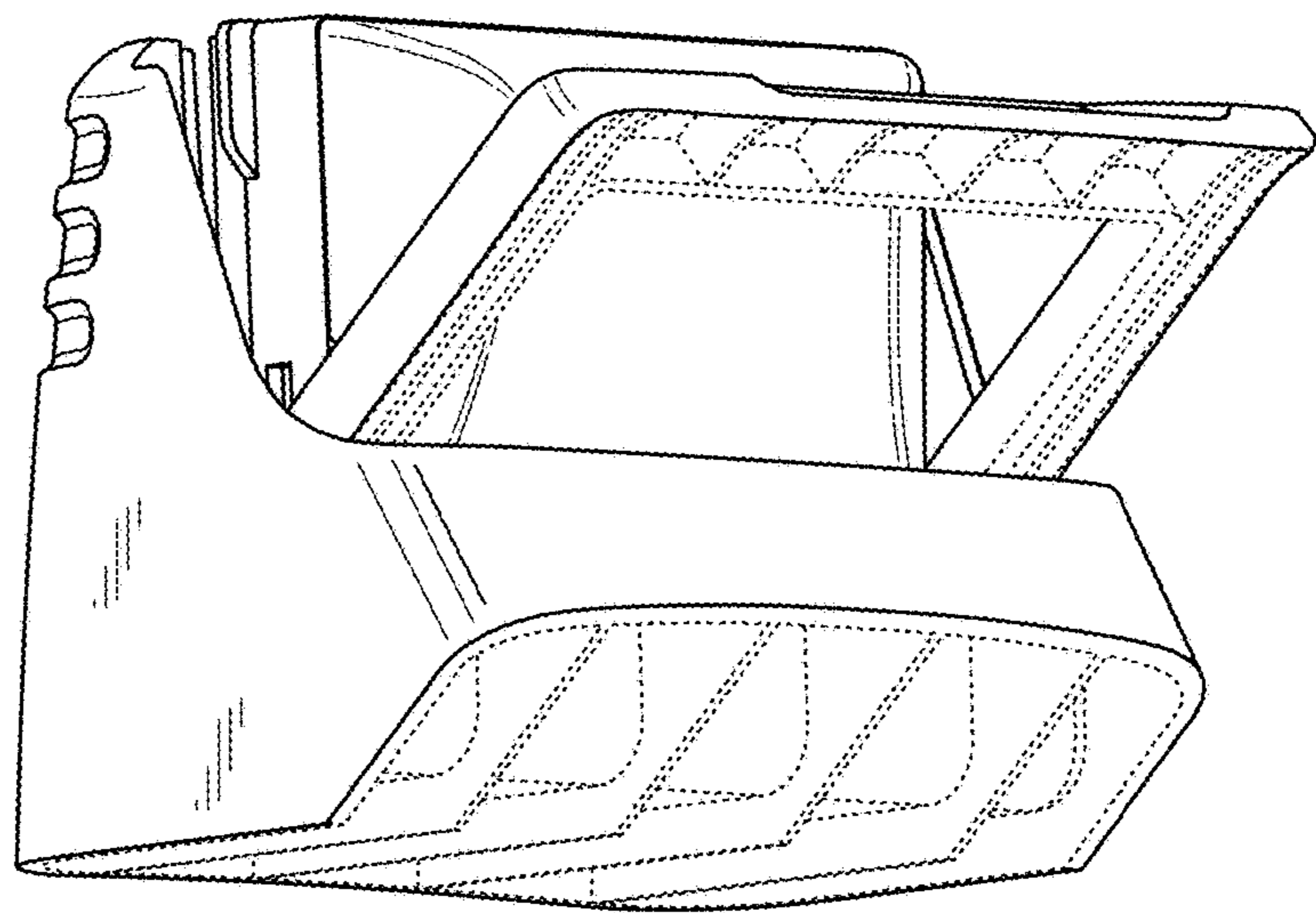


FIG. 26

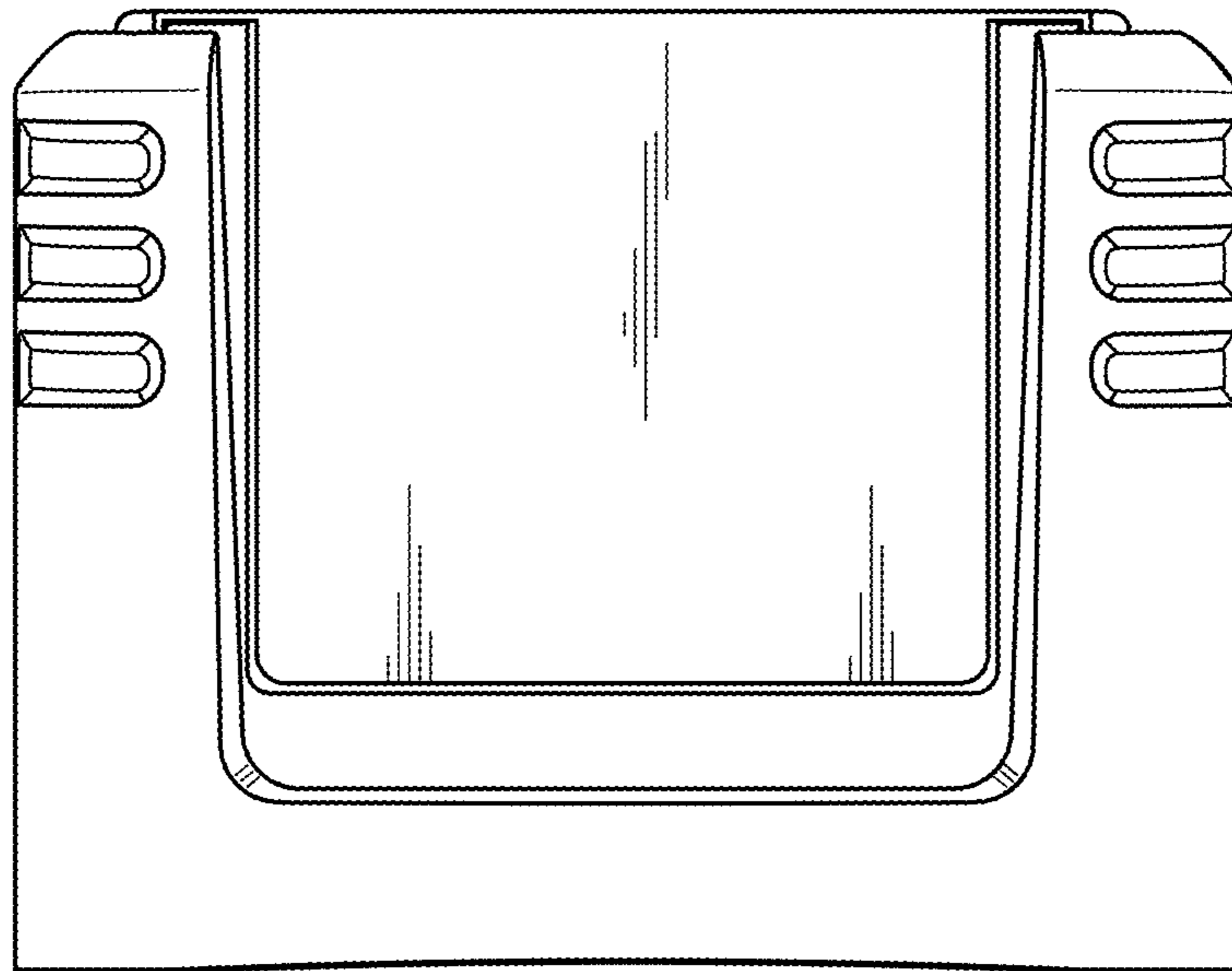


FIG. 27

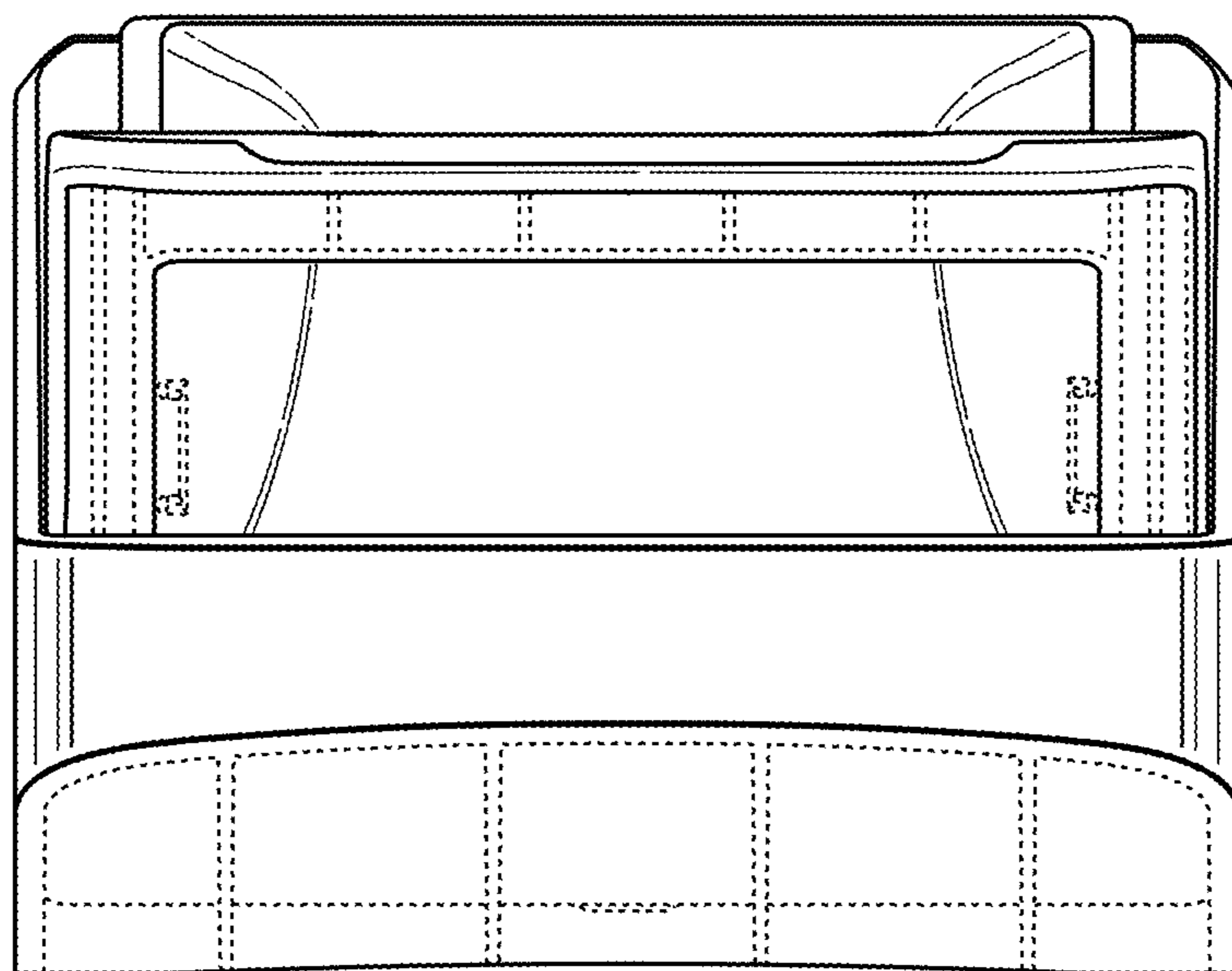


FIG. 28

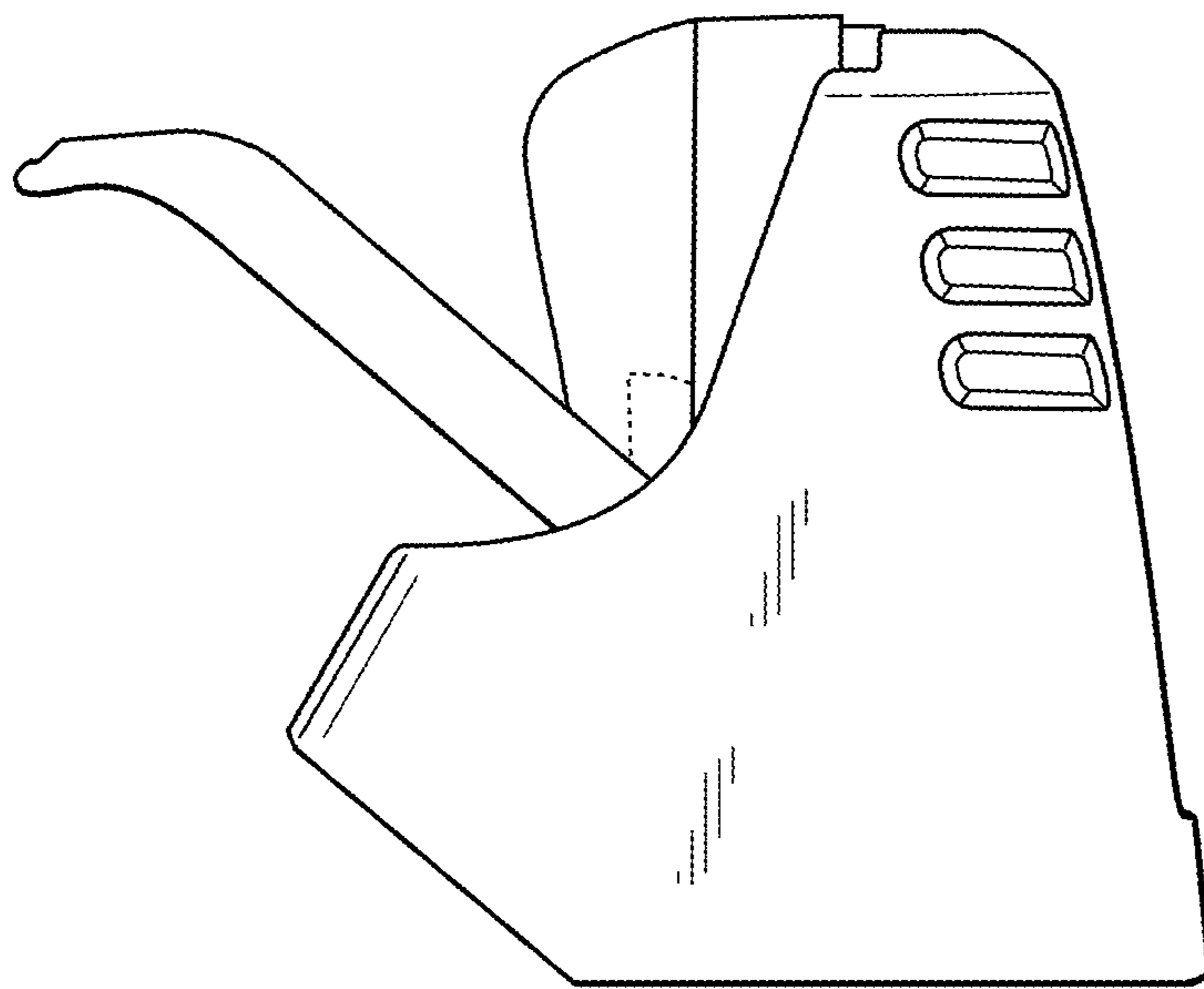


FIG. 29

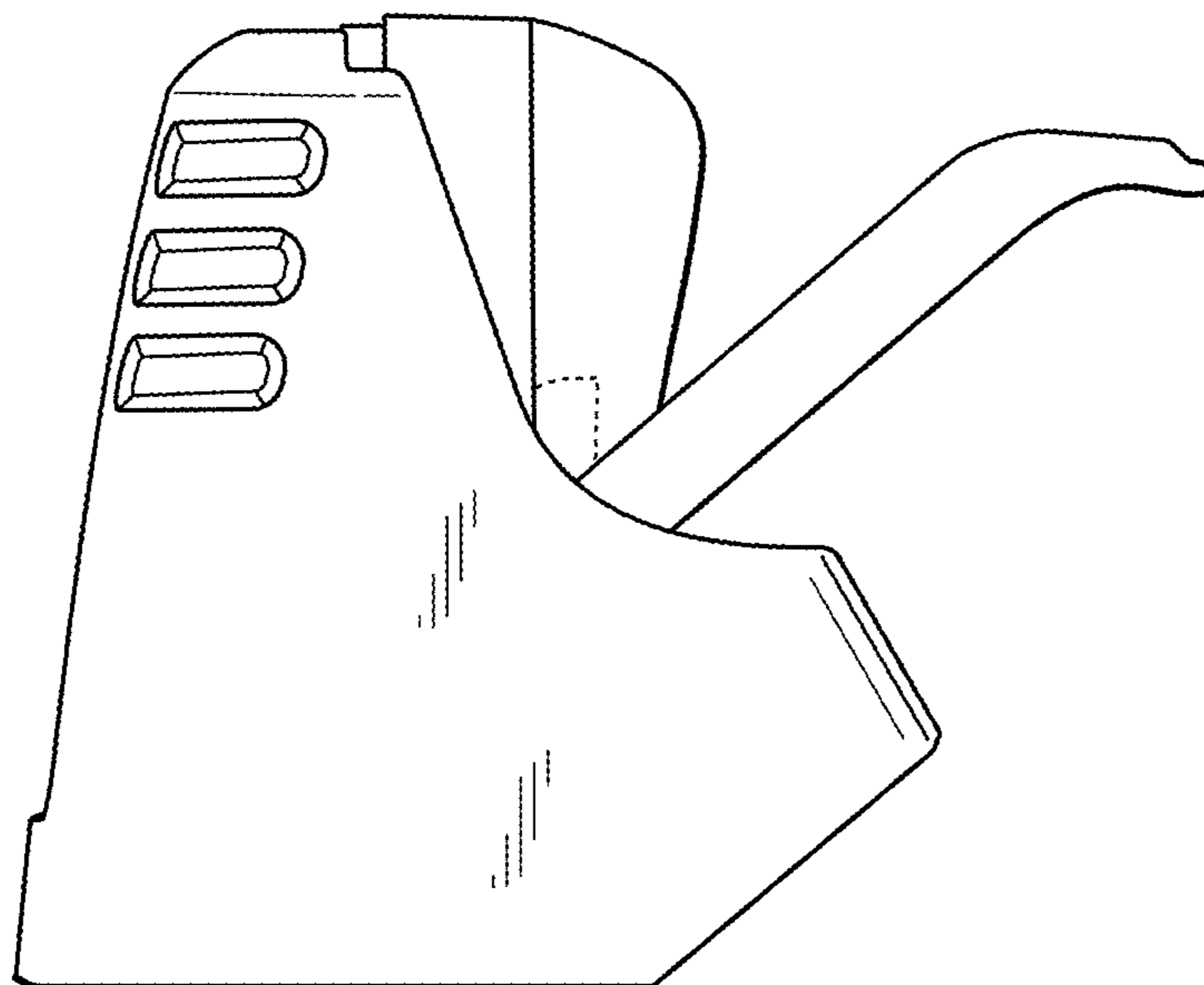


FIG. 30

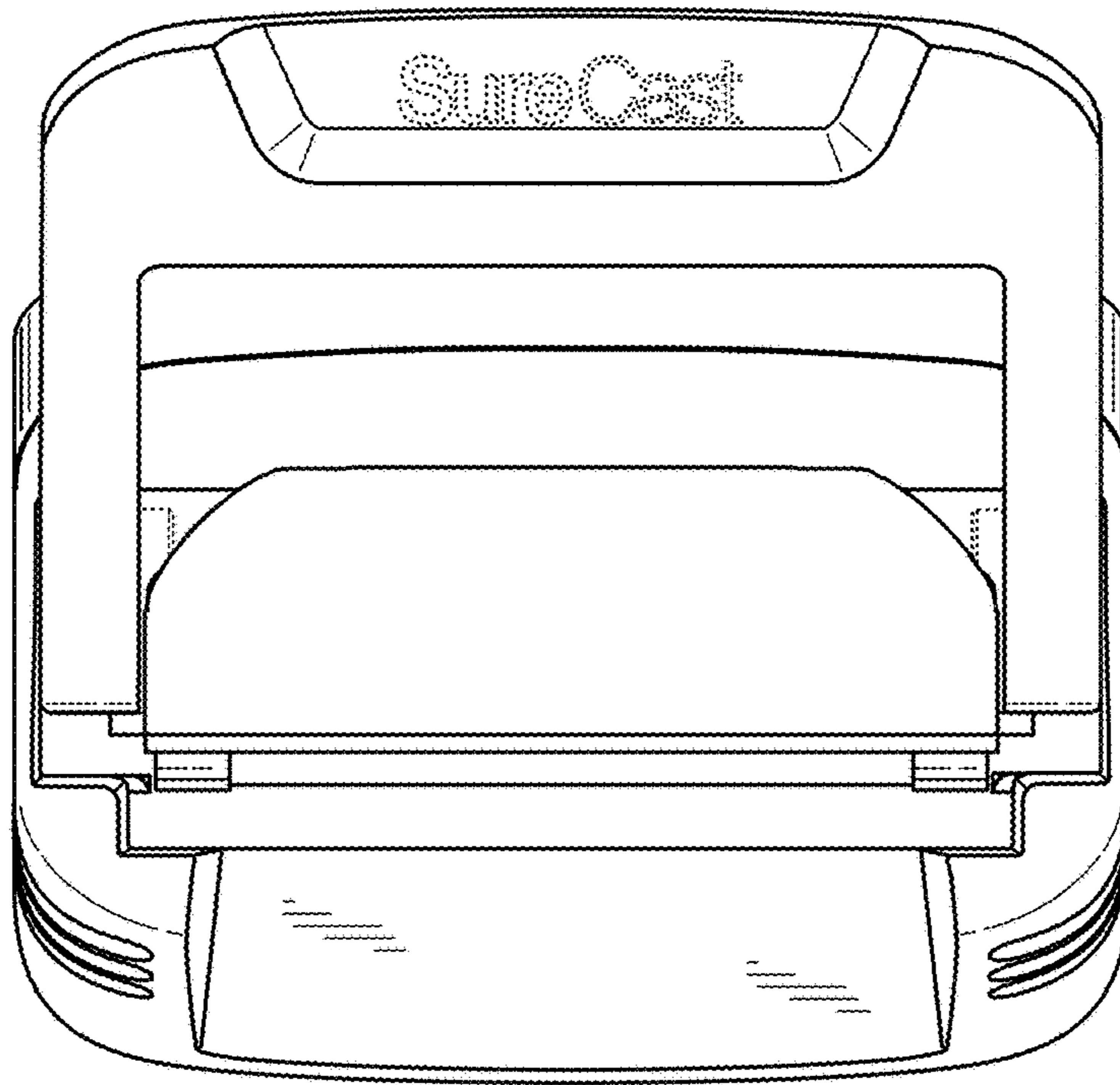


FIG. 31

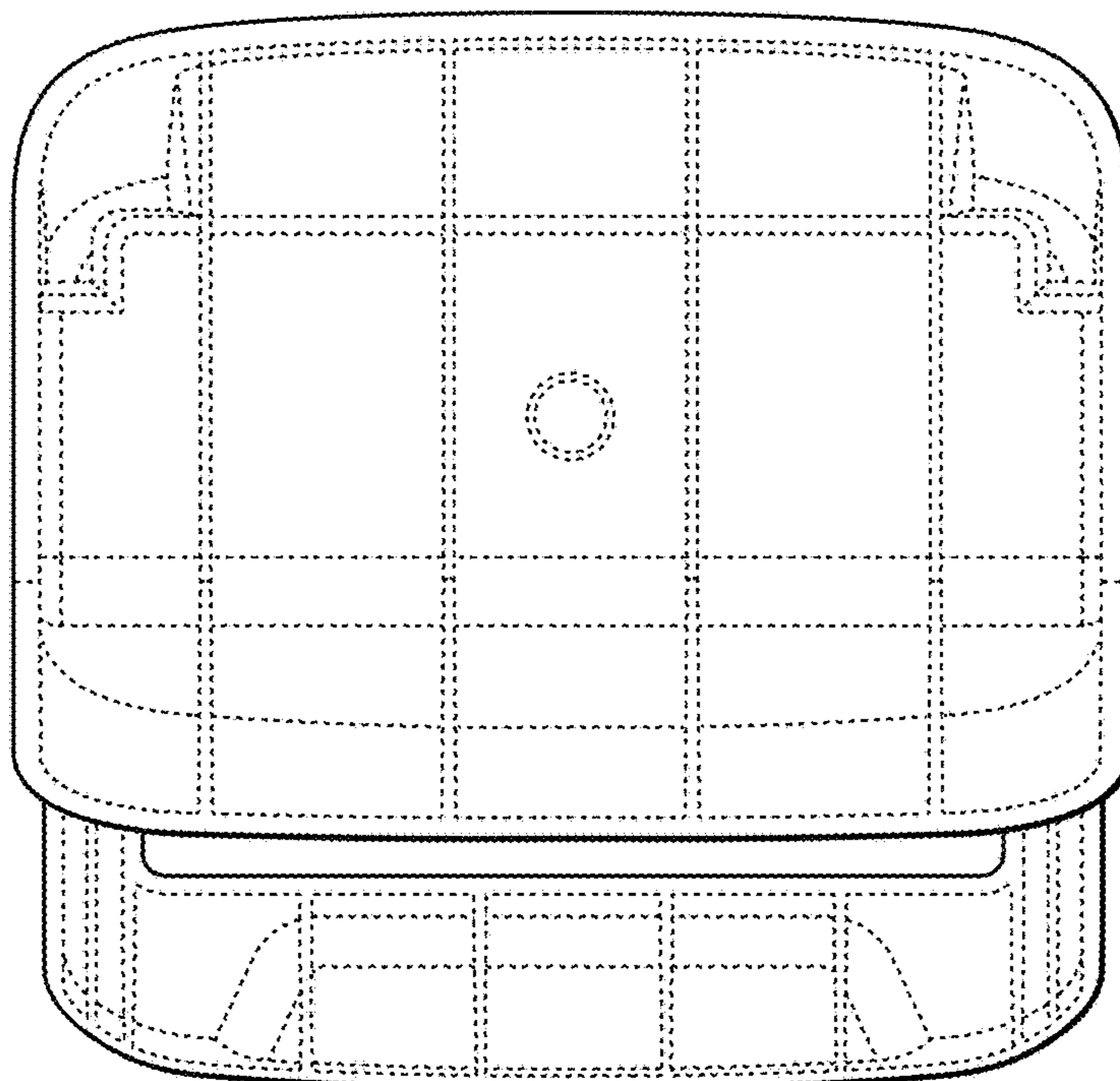


FIG. 32