



US00D792598S

(12) **United States Design Patent** (10) **Patent No.:** **US D792,598 S**
Laico (45) **Date of Patent:** **** Jul. 18, 2017**

(54) **THUMB RING**
(71) Applicant: **Orthopedic Surgical Supplies, LLC,**
Wilmington, DE (US)
(72) Inventor: **Joseph P. Laico,** New City, NY (US)
(73) Assignee: **Orthopedic Surgical Supplies, LLC,**
Wilmington, DE (US)
(**) Term: **15 Years**
(21) Appl. No.: **29/540,466**
(22) Filed: **Sep. 24, 2015**
(51) **LOC (10) Cl.** **24-04**
(52) **U.S. Cl.**
USPC **D24/190**
(58) **Field of Classification Search**
USPC D11/3-5, 26-43, 45, 79, 89-92; D7/633;
D8/354, 356, 397, 399; D6/546, 595,
D6/615, 616, 633; D24/171, 190, 191,
D24/193
CPC .. A44C 5/00; A44C 7/00; A44C 7/002; A44C
7/004; A44C 9/00; A44C 9/0007; A44C
9/0015; A44C 9/0023; A44C 9/003; A44C
9/0038; A44C 9/0046; A44C 9/0053;
A44C 9/0061; A44C 9/0069; A44C
9/0076; A44C 15/001; A44C 17/02; A44C
17/0208; A44C 17/0216; A44C 17/0225;
A44C 17/0233; A44C 17/0241; A44C
17/025; A44C 17/0258
See application file for complete search history.

(56) **References Cited**
U.S. PATENT DOCUMENTS
1,578,627 A * 3/1926 Baumgarten B67B 7/16
30/298
3,826,252 A 7/1974 Laico

6,058,517 A * 5/2000 Hartunian A61F 5/055
2/468
D448,699 S * 10/2001 Pasquetti D11/26
D551,587 S * 9/2007 McKenzie D11/26
D560,537 S * 1/2008 McKenzie D11/26
D613,638 S * 4/2010 Jorst D11/93
D632,992 S * 2/2011 Kapoor D11/39
D643,931 S * 8/2011 Voskuilen D24/190
D644,332 S * 8/2011 Sandhu D24/191
D686,101 S * 7/2013 Dailey D11/26
8,540,544 B1 * 9/2013 Logue A44C 5/00
446/101
D705,228 S * 5/2014 Peters D11/26
2003/0221450 A1 * 12/2003 Selinger A44C 9/00
63/15

OTHER PUBLICATIONS

Orthopcol Brochure "Cast Thumb Ring" (2 pages) (Date Unknown).

* cited by examiner

Primary Examiner — Michael A. Pratt
Assistant Examiner — Wendy Arminio
(74) *Attorney, Agent, or Firm* — Flaster/Greenberg P.C.

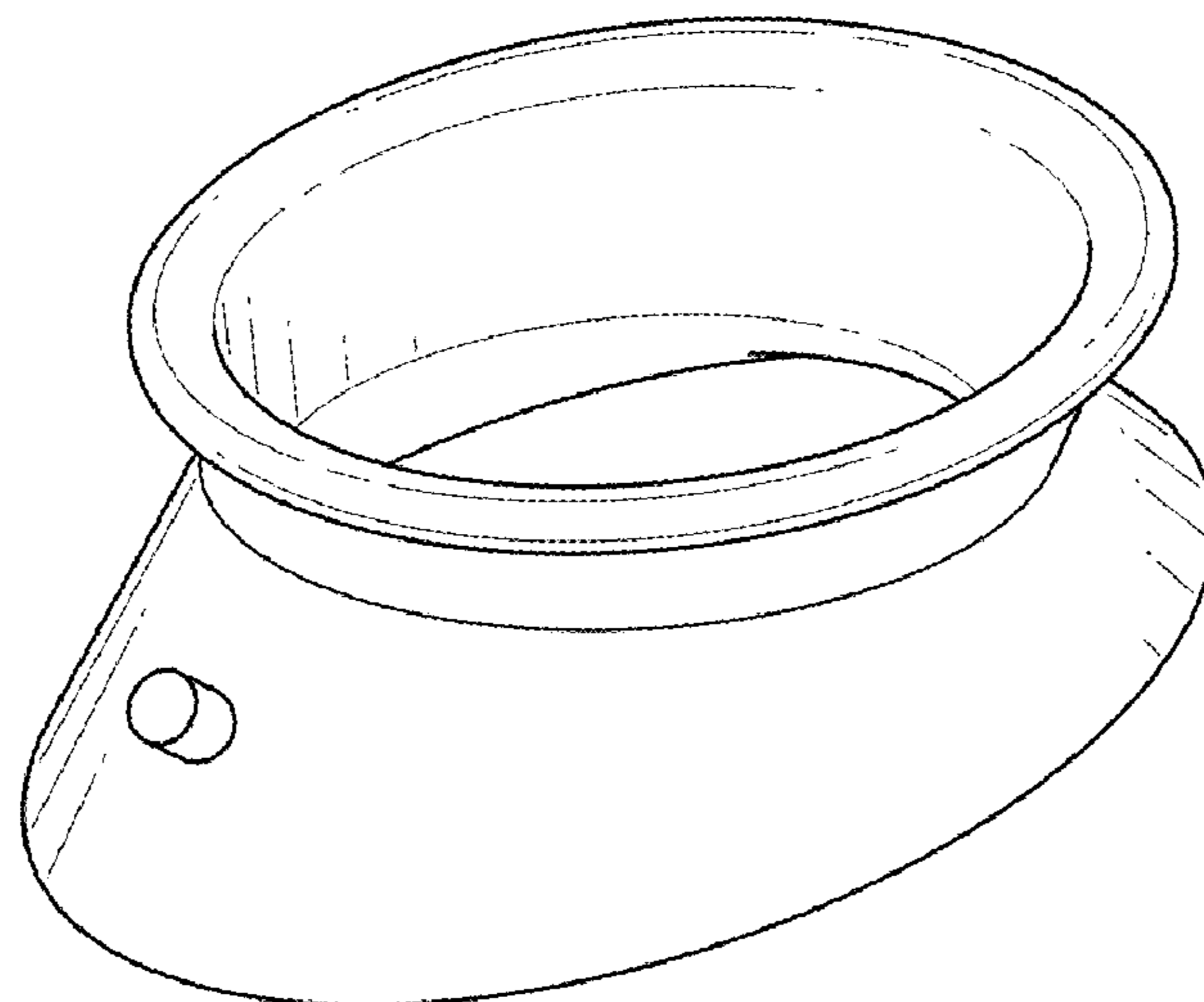
(57) **CLAIM**

The ornamental design for a thumb ring, as shown and described.

DESCRIPTION

FIG. 1 is a perspective view of a thumb ring;
FIG. 2 is a front elevational view of the thumb ring of FIG. 1;
FIG. 3 is a rear elevational view of the thumb ring of FIG. 1;
FIG. 4 is a right side view of the thumb ring of FIG. 1;
FIG. 5 is a left side view of the thumb ring of FIG. 1;
FIG. 6 is a top plan view of the thumb ring of FIG. 1; and,
FIG. 7 is a bottom plan view of the thumb ring of FIG. 1.

1 Claim, 4 Drawing Sheets



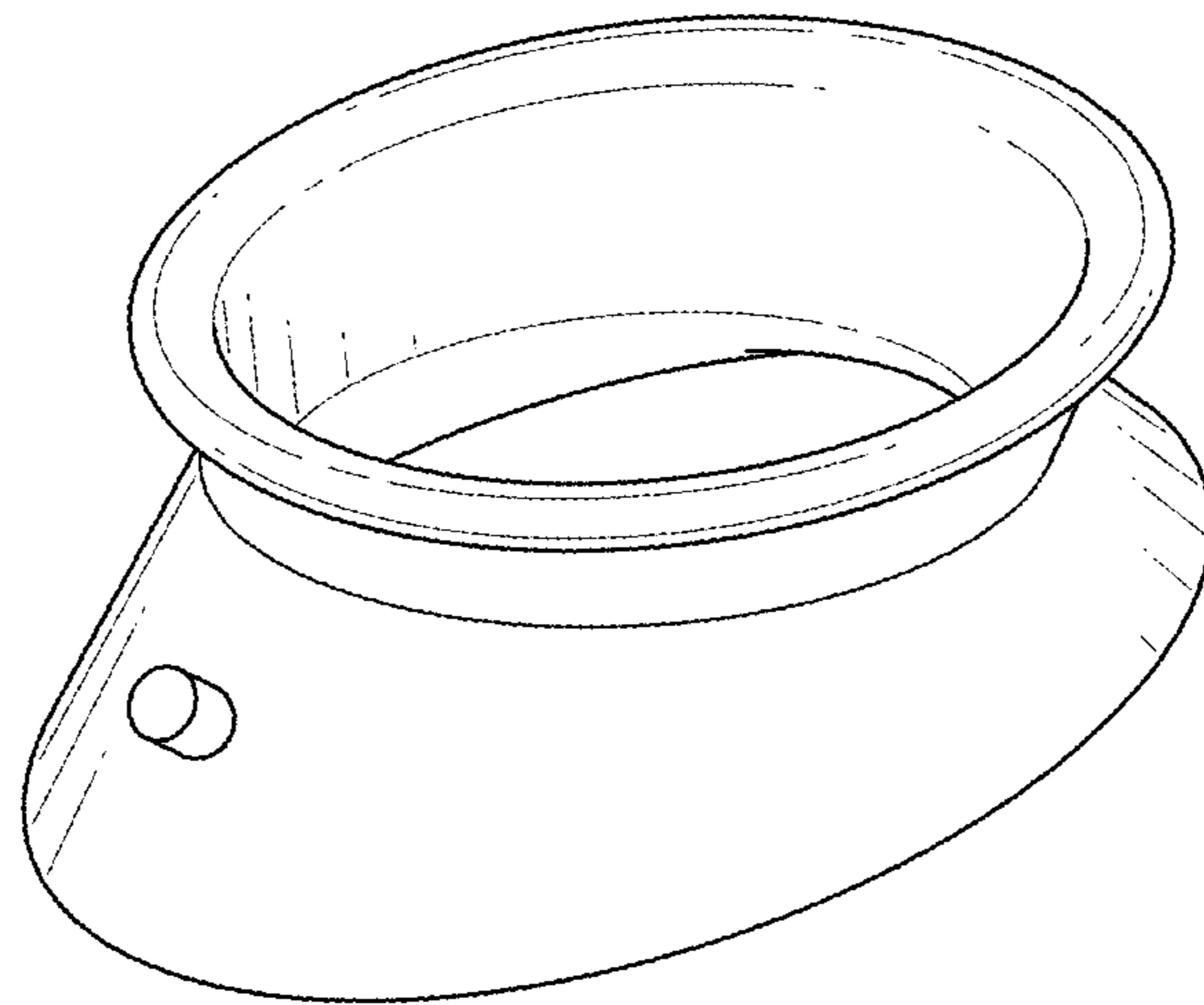


FIG. 1

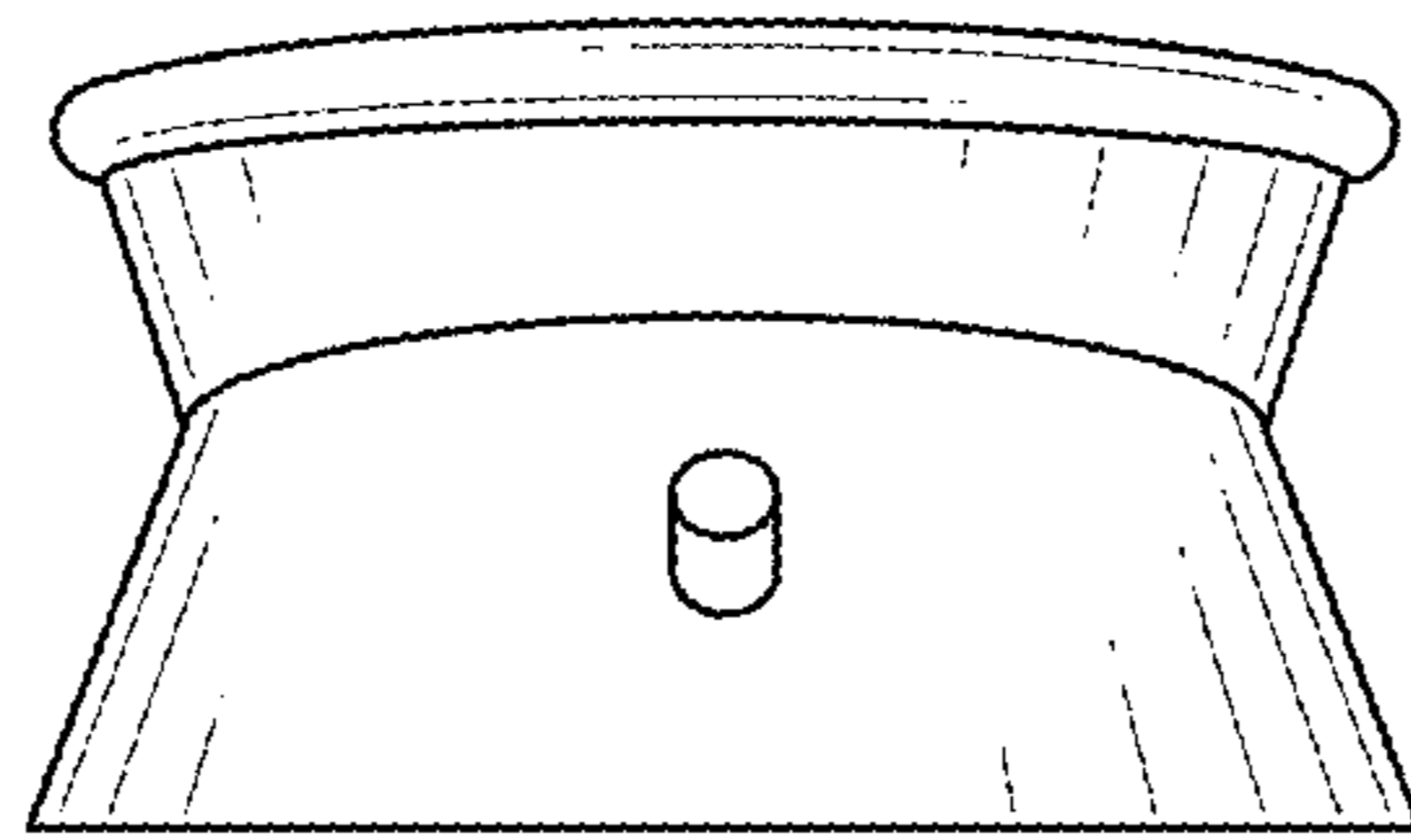


FIG. 2

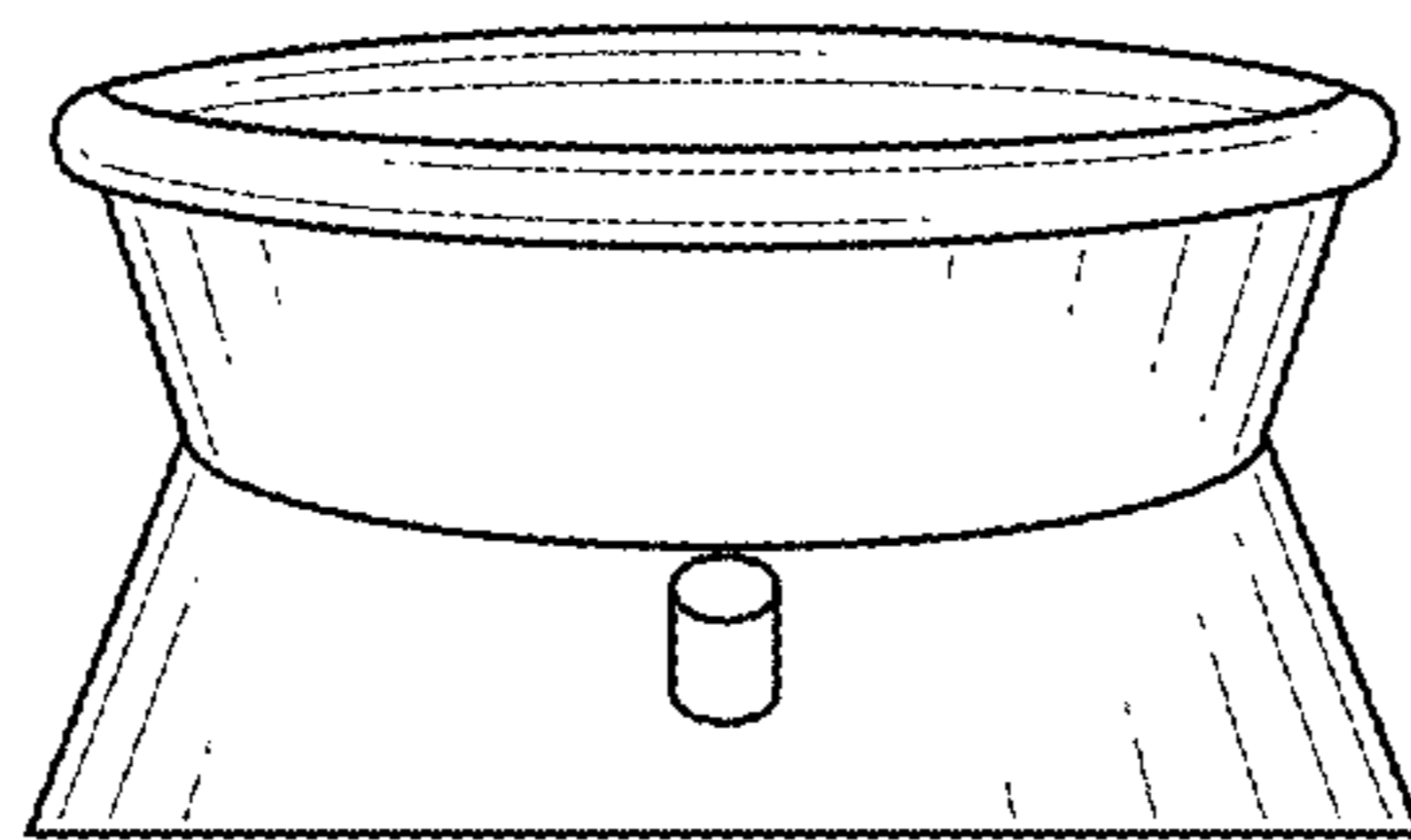


FIG. 3

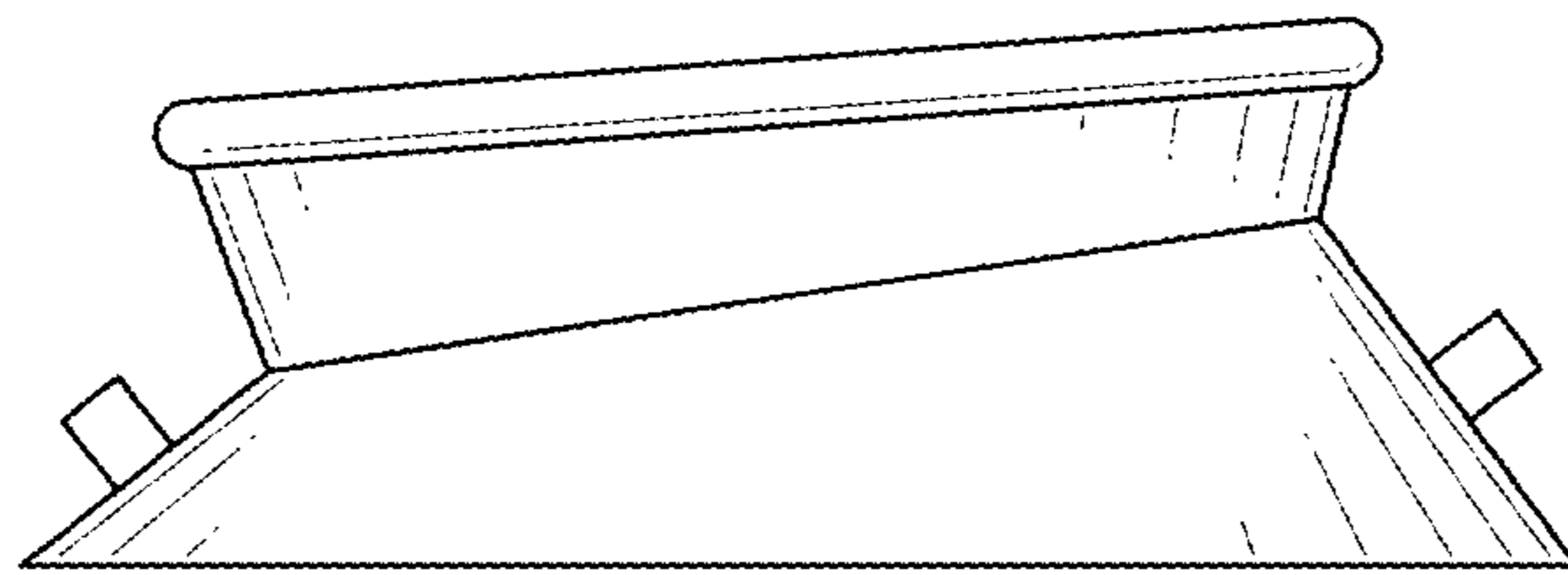


FIG. 4

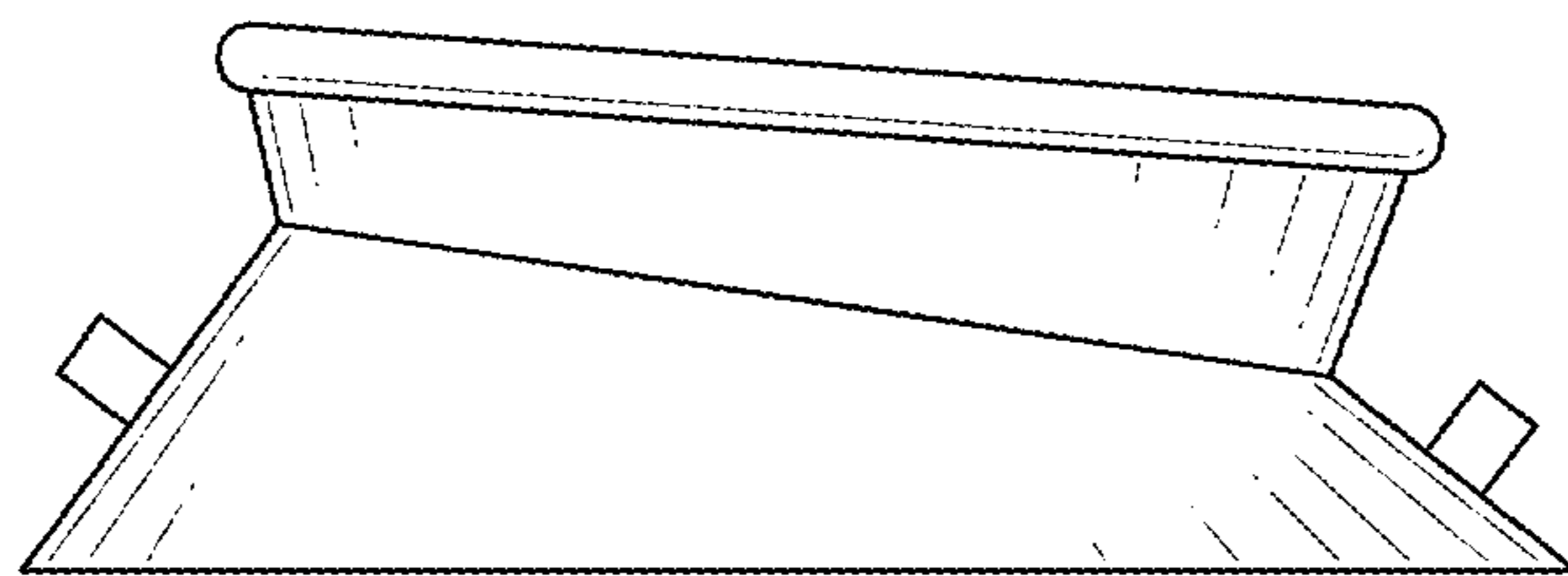


FIG. 5

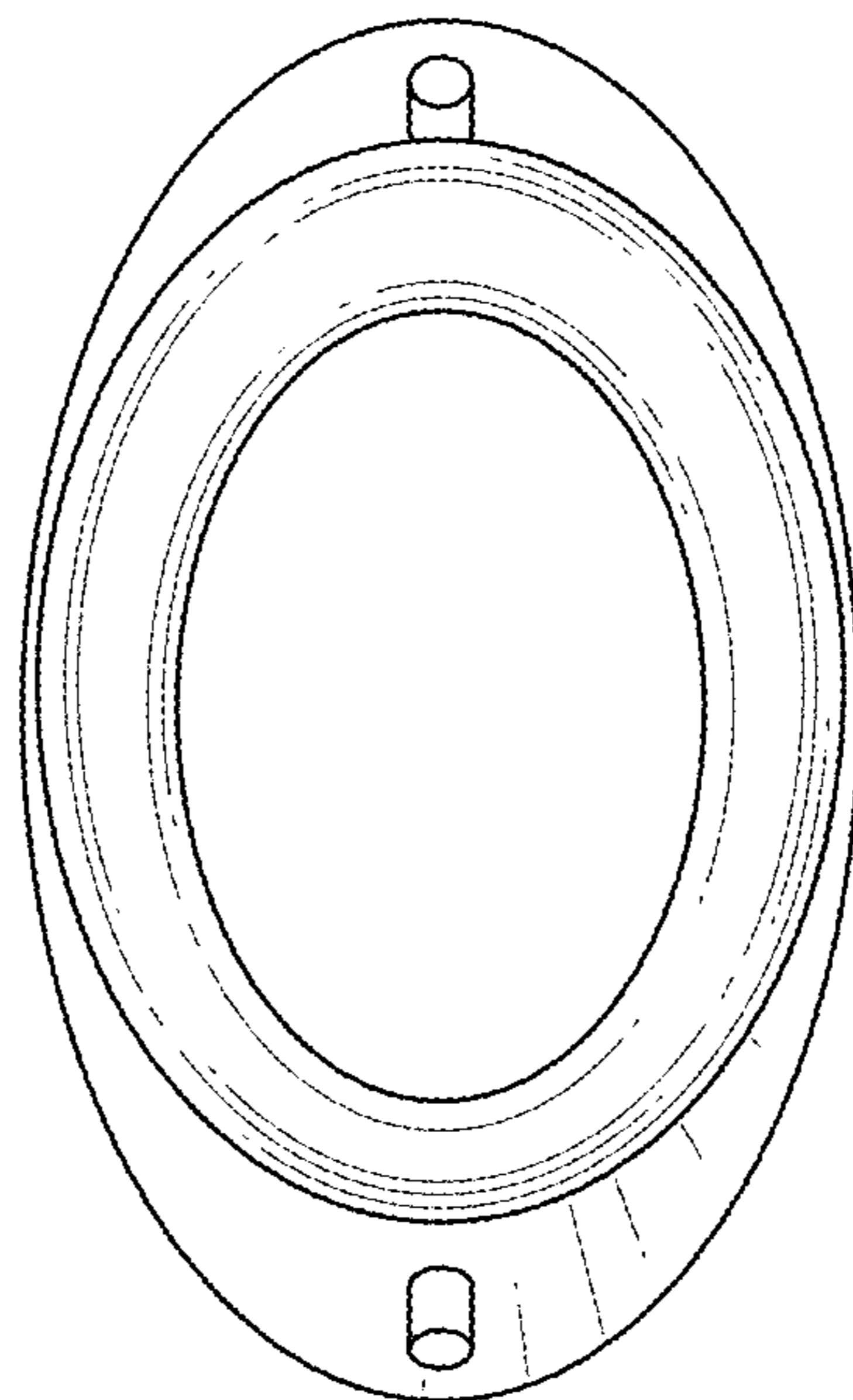


FIG. 6

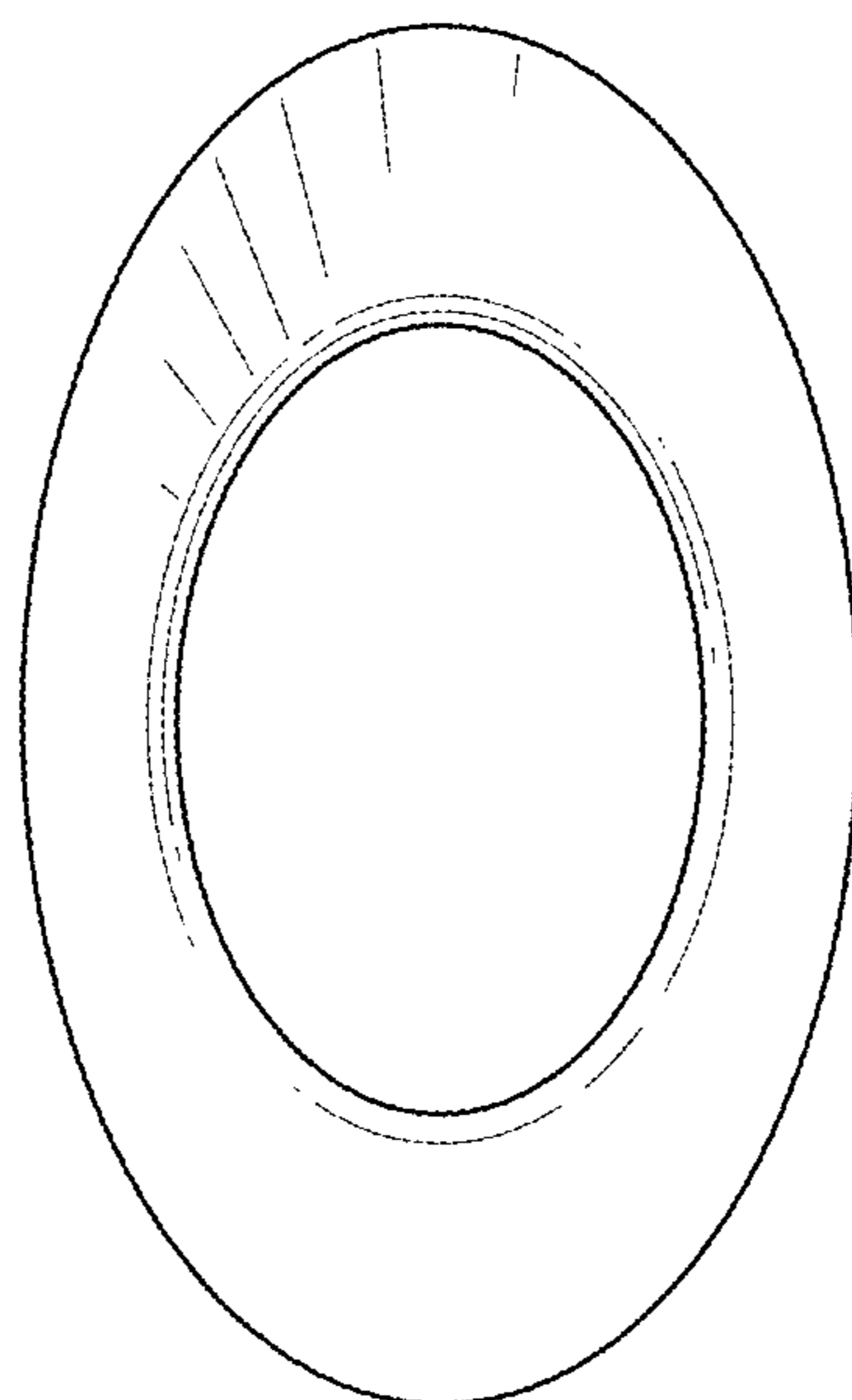


FIG. 7