



US00D792597S

(12) **United States Design Patent** (10) **Patent No.:** **US D792,597 S**
Ahmed et al. (45) **Date of Patent:** **** Jul. 18, 2017**

(54) **WEARABLE CONTINUOUS
PHYSIOLOGICAL MONITORING DEVICE**

(71) Applicant: **Whoop, Inc.**, Boston, MA (US)
(72) Inventors: **William Ahmed**, Boston, MA (US);
John Capodilupo, Boston, MA (US);
Aurelian Nicolae, Brookline, MA (US);
Rinat Aruh, New York, NY (US); **Carl
Johan Liden**, New York, NY (US);
Brett Tobias Tom, New York, NY (US)

D645,968 S 9/2011 Kasabach et al.
D677,792 S 3/2013 Vandiver
D687,951 S 8/2013 Torre et al.
D745,868 S 12/2015 Choi et al.
D747,494 S 1/2016 Tamsiran
D751,068 S * 3/2016 Erbeus D14/138 R
D751,549 S * 3/2016 Park D14/144
D751,550 S * 3/2016 Solomon D14/344
D752,581 S * 3/2016 Jung D14/344

(Continued)

(73) Assignee: **Whoop, Inc.**, Boston, MA (US)

(**) Term: **15 Years**

(21) Appl. No.: **29/578,653**

(22) Filed: **Sep. 23, 2016**

Related U.S. Application Data

(63) Continuation of application No. 29/529,218, filed on Jun. 4, 2015, now Pat. No. Des. 767,768.

(51) **LOC (10) Cl.** **24-01**

(52) **U.S. Cl.**
USPC **D24/186**

(58) **Field of Classification Search**
USPC D24/164–168, 186, 187; D10/30–32, 37,
D10/38, 75, 70, 78; D14/344, 138 R
CPC A61B 5/0402; A61B 5/0404; A61B 5/021;
A61B 5/024; A61B 5/02438; A61B
5/681; A61B 2560/0205; A61B
2560/0462

See application file for complete search history.

(56) **References Cited**

U.S. PATENT DOCUMENTS

D466,488 S 12/2002 Wada et al.
D525,710 S 7/2006 Kobayashi et al.
D544,377 S 6/2007 Chodat
D571,249 S 6/2008 Frederick et al.

OTHER PUBLICATIONS

“U.S. Appl. No. 29/529,218 Notice of Allowance mailed Jun. 15, 2016”, 10 pages.

Primary Examiner — Anhdao Doan

(74) *Attorney, Agent, or Firm* — Strategic Patents, P.C.

(57) **CLAIM**

What is claimed is the ornamental design for a wearable continuous physiological monitoring device, as shown and described.

DESCRIPTION

FIG. 1 is a top, front perspective view of a design for a wearable continuous physiological monitoring device.

FIG. 2 is a top view of the design.

FIG. 3 is a bottom view of the design.

FIG. 4 is a front view of the design.

FIG. 5 is a rear view of the design.

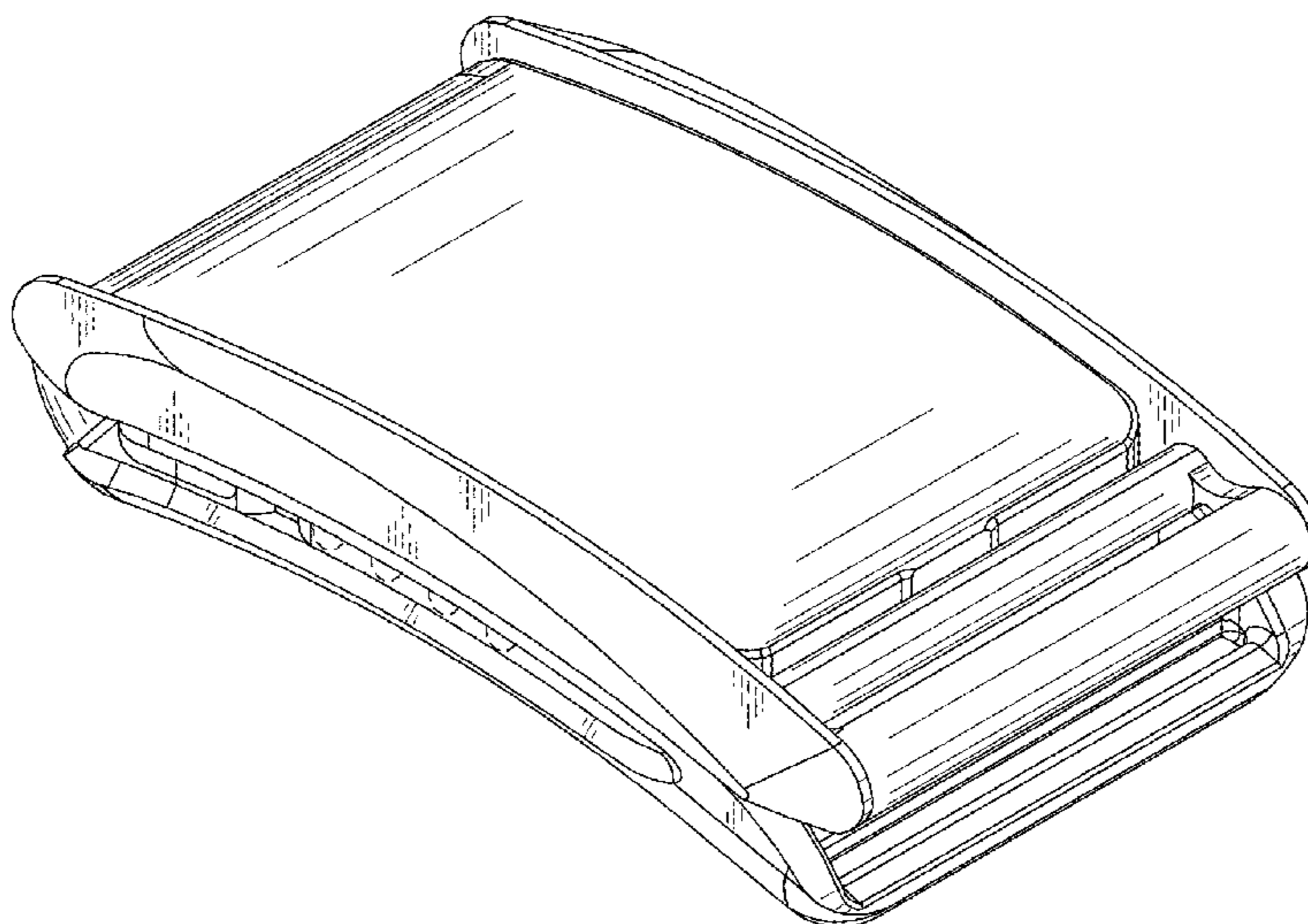
FIG. 6 is a left side view of the design.

FIG. 7 is a right side view of the design; and,

FIG. 8 is a perspective view of the design shown in condition of use.

The broken lines depicting a strap in FIG. 8 represent environmental subject matter; other broken lines illustrate portions of the wearable continuous physiological monitoring device that form no part of the claimed design. The broken lines form no part of the claimed design.

1 Claim, 8 Drawing Sheets



(56)

References Cited

U.S. PATENT DOCUMENTS

D759,623 S * 6/2016 Dahlberg D10/30
D766,115 S * 9/2016 Ma D24/167
2005/0054940 A1 3/2005 Almen et al.
2009/0018456 A1 1/2009 Hung et al.

* cited by examiner

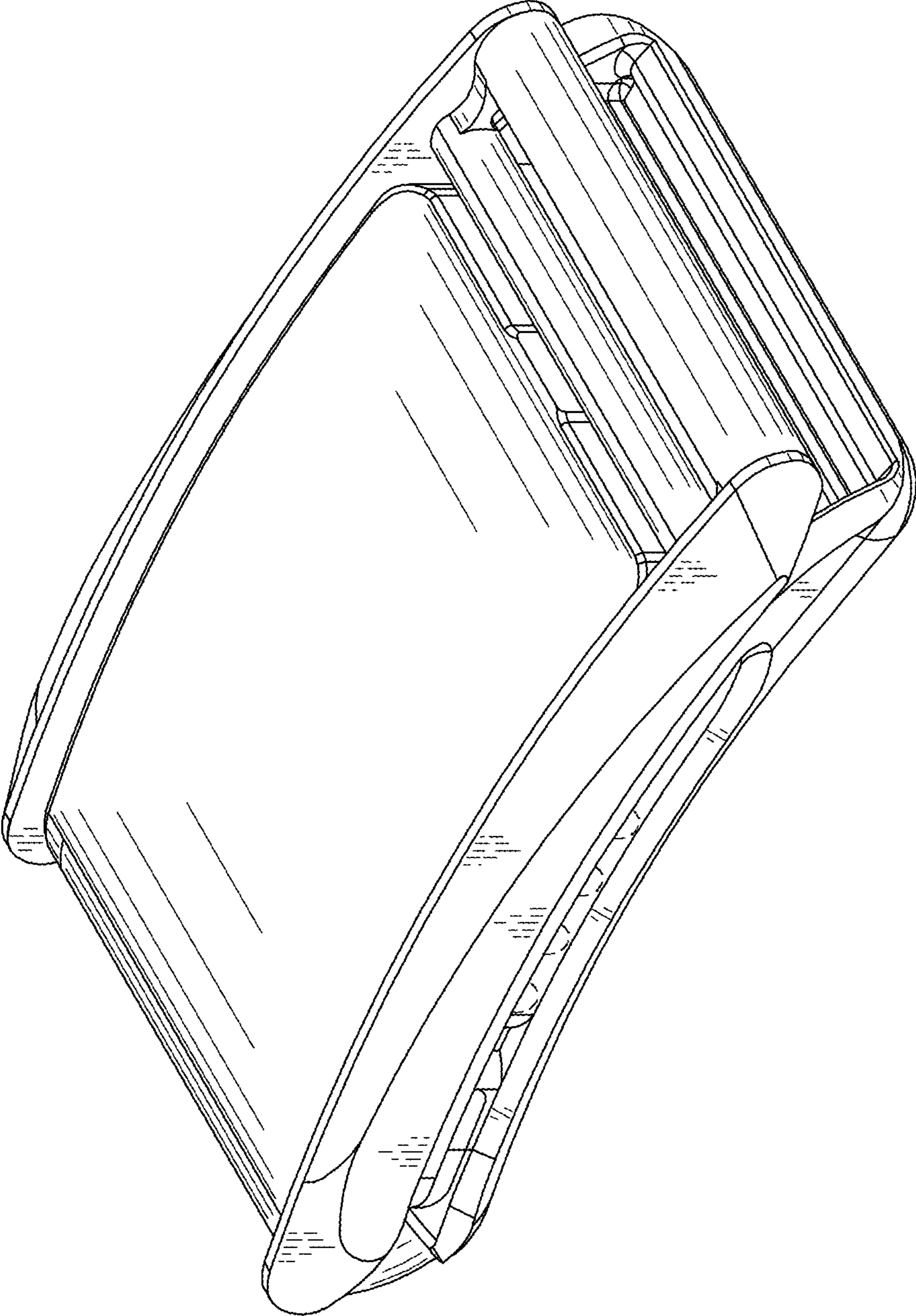


FIG. 1

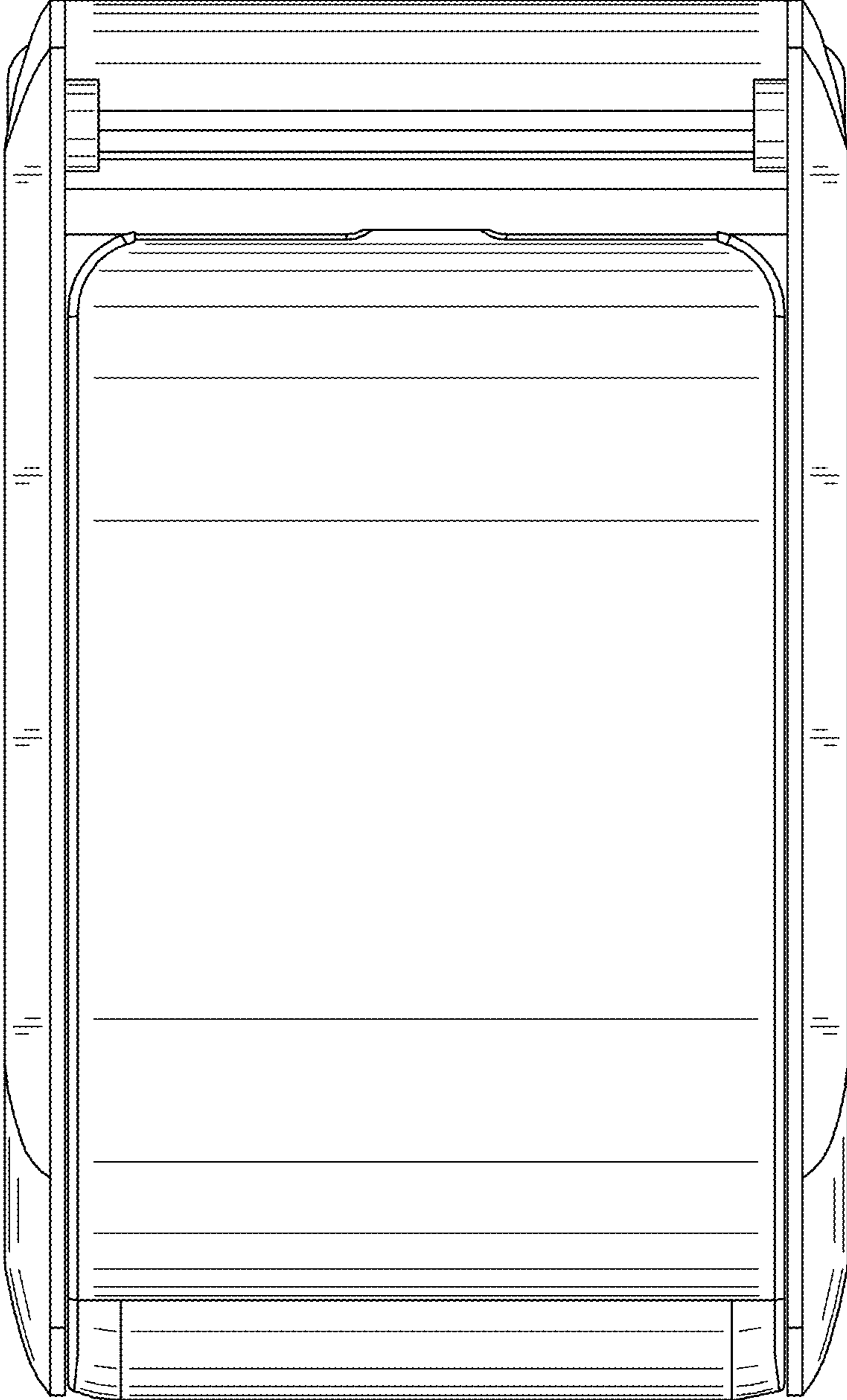


FIG. 2

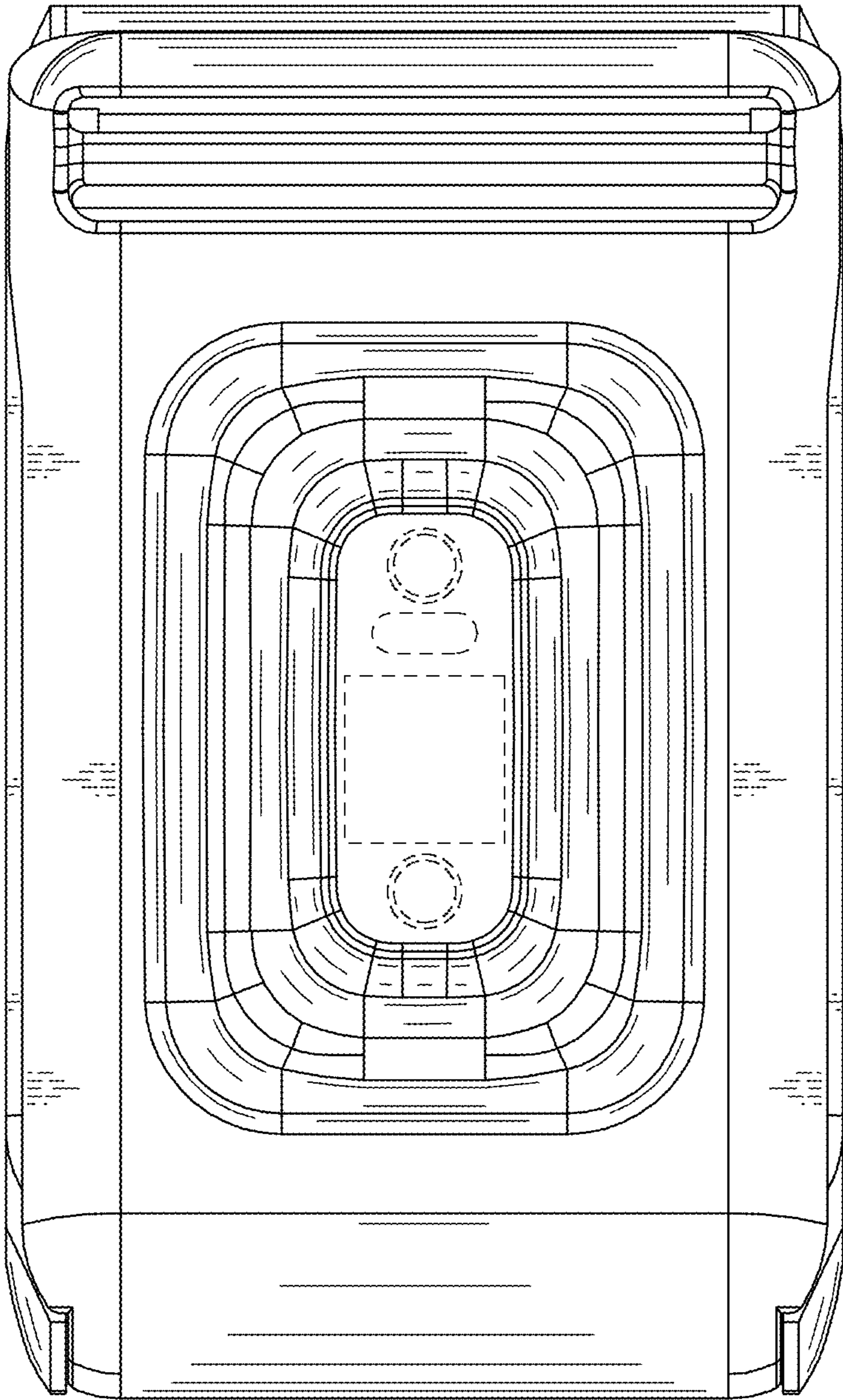


FIG. 3

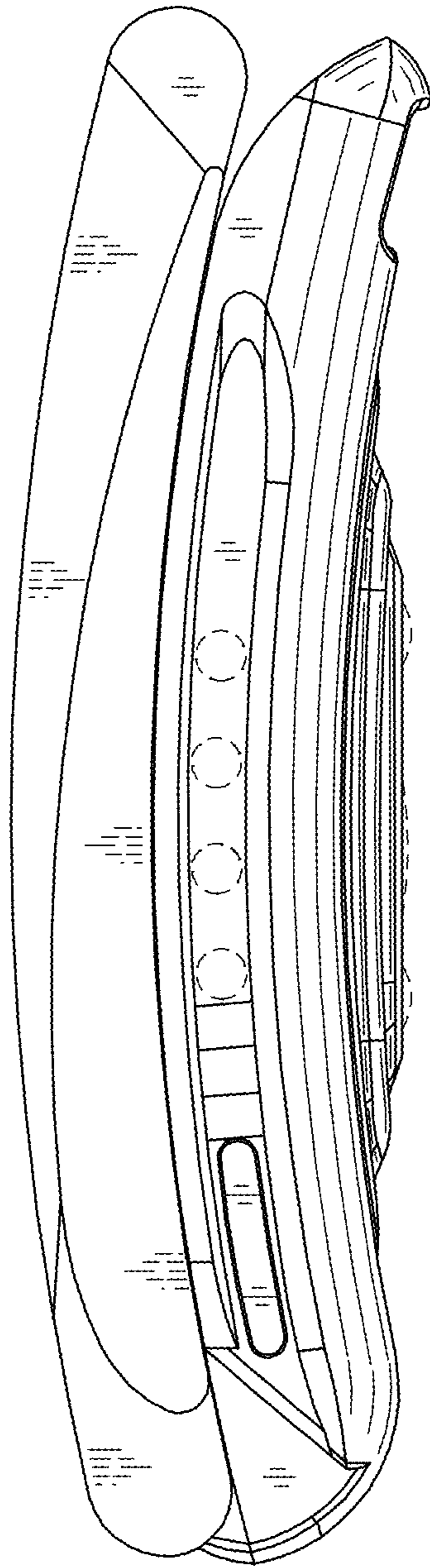


FIG. 4

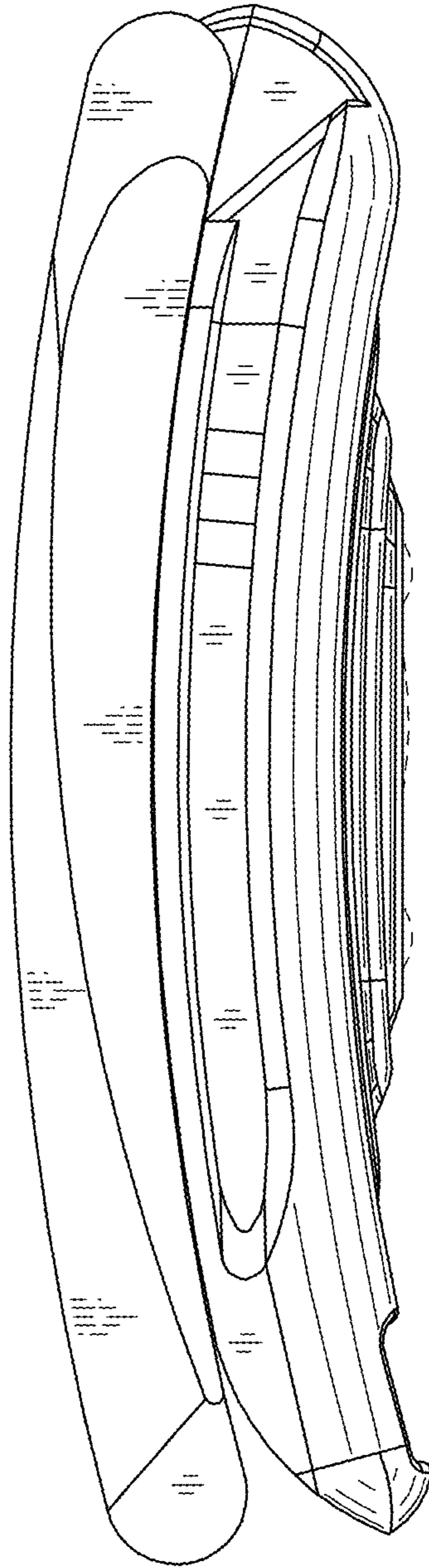


FIG. 5

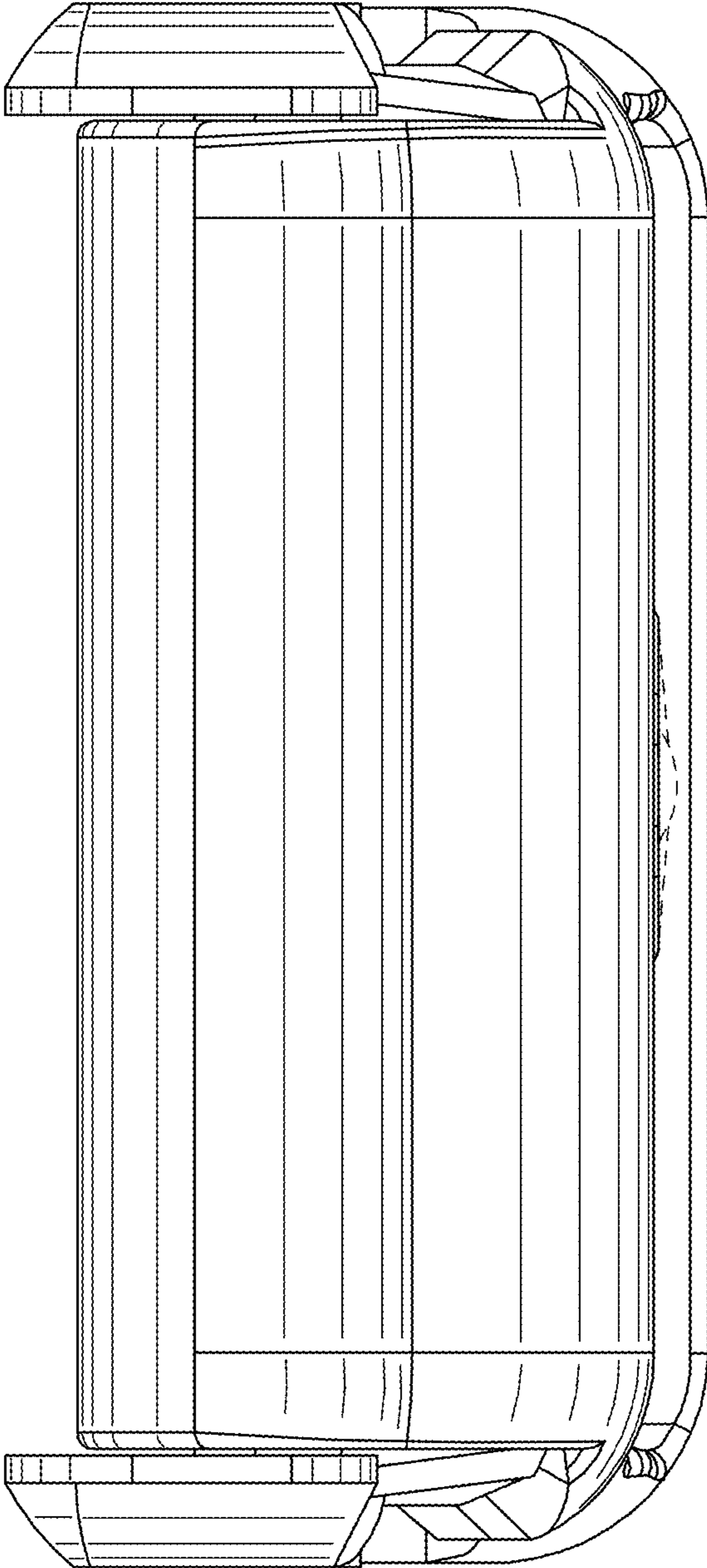


FIG. 6

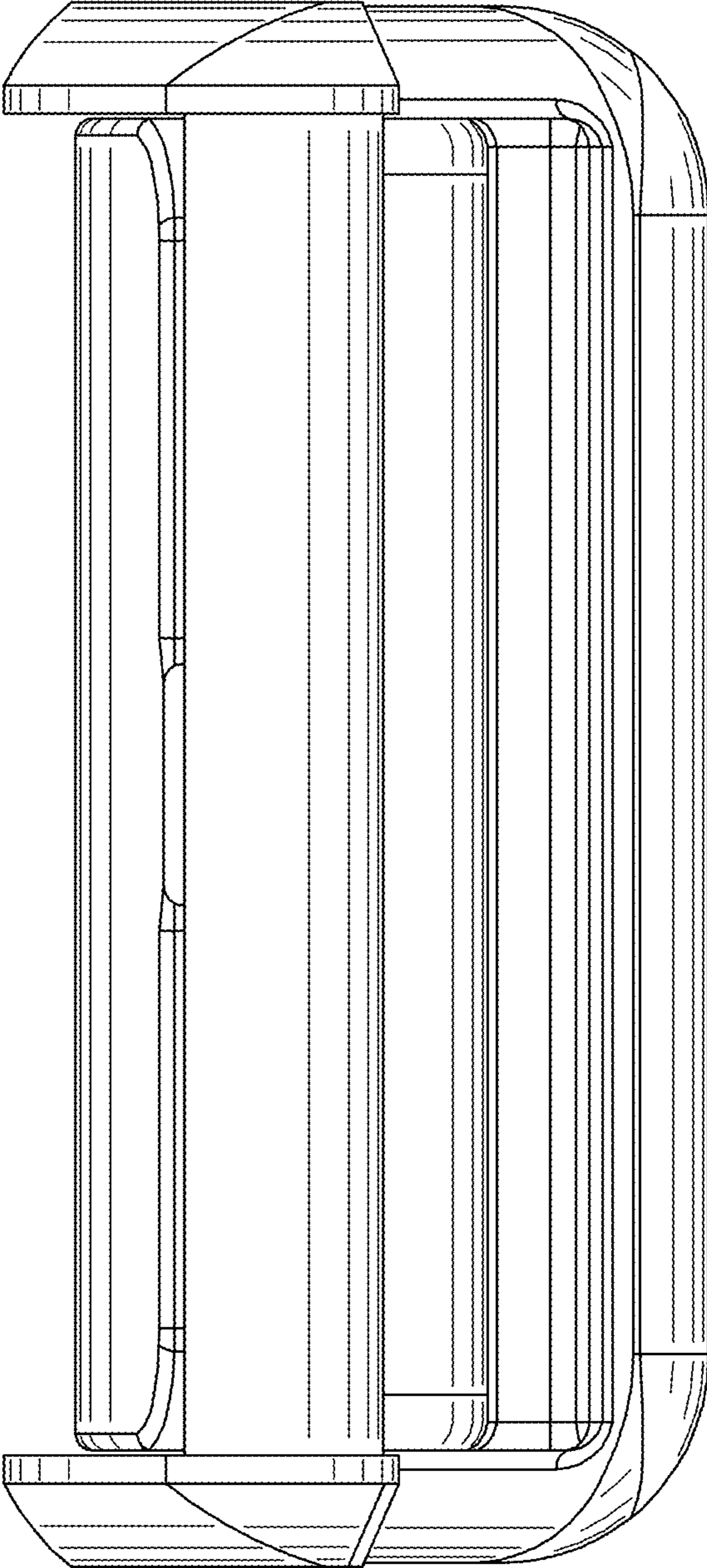


FIG. 7

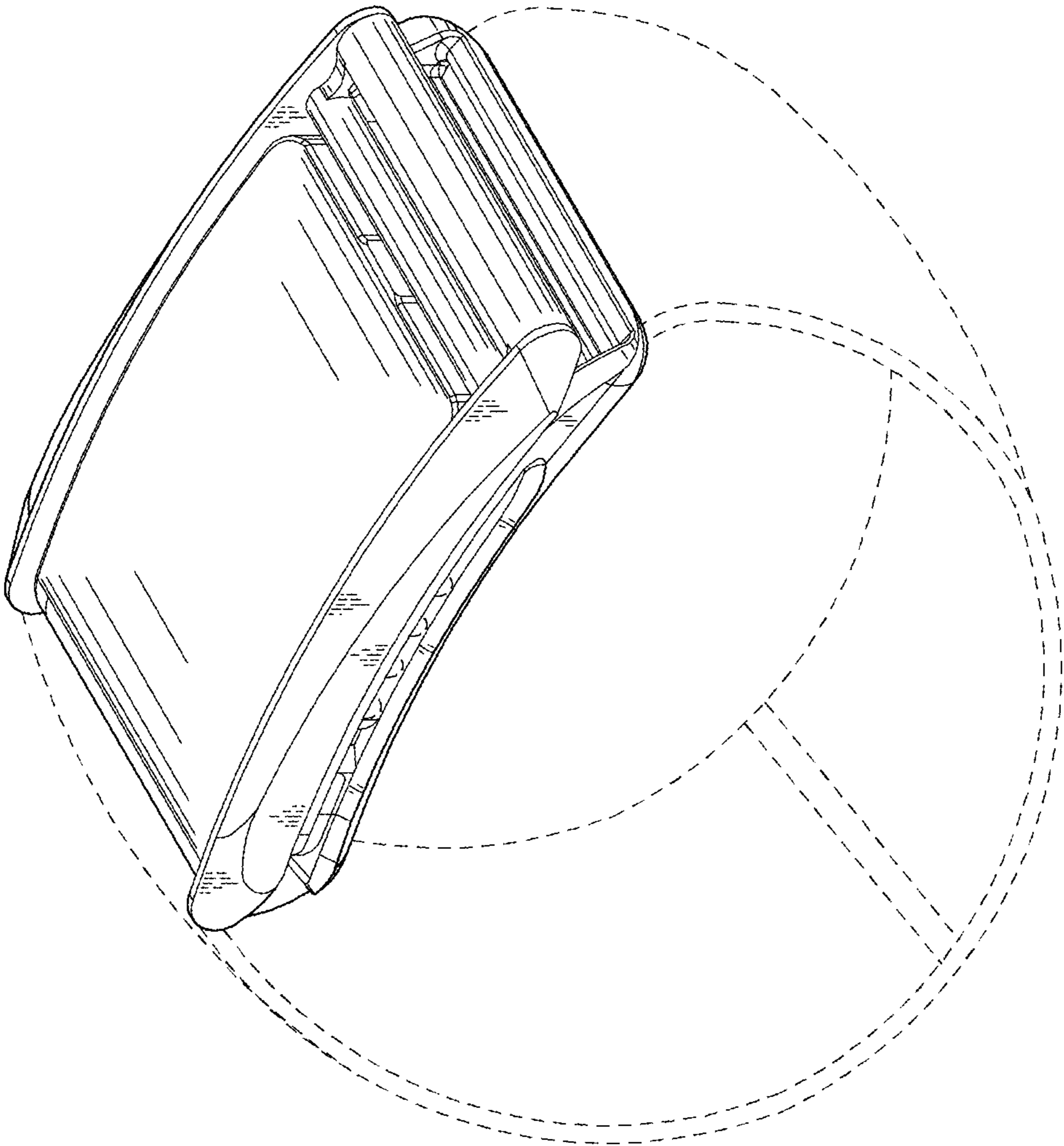


FIG. 8