



US00D792596S

(12) **United States Design Patent** (10) **Patent No.:** **US D792,596 S**
Azimi (45) **Date of Patent:** **** Jul. 18, 2017**

(54) **DIGITAL HEALTH MONITORING DEVICE**

(71) Applicant: **DynoSense Corp.**, San Jose, CA (US)

(72) Inventor: **Saeed Azimi**, Los Gatos, CA (US)

(73) Assignee: **Dynosense Corp.**, San Jose, CA (US)

(**) Term: **15 Years**

(21) Appl. No.: **29/557,897**

(22) Filed: **Mar. 14, 2016**

(51) **LOC (10) Cl.** **24-02**

(52) **U.S. Cl.**

USPC **D24/186**

(58) **Field of Classification Search**

USPC D24/186, 107, 133, 141, 158, 163, 164,
D24/165, 167, 170, 176, 214, 221, 231;
D10/57, 60, 78, 80; 378/98.7, 98.8, 189;
600/407, 461, 459

CPC . G06F 19/34; G06F 19/3468; A61B 5/14532;
A61B 5/0002; A61B 2562/0295; A61B
5/1117; A61B 5/1118; A61B 5/0022;
A61B 5/145; A61B 2505/07; A61B
2560/0242; A61B 2560/0266; A61B
2560/0431; A61B 5/0006; A61B 5/002;
A61B 5/01; A61B 5/0205; A61B 5/021;
A61B 5/024; A61B 5/02438; A61B 5/08;
A61B 5/742

See application file for complete search history.

(56) **References Cited**

U.S. PATENT DOCUMENTS

D609,352 S * 2/2010 Kitayama D24/186
D676,562 S * 2/2013 Marzynski D24/186
8,924,160 B2 * 12/2014 Moerman A61B 5/0022
702/19
D773,056 S * 11/2016 Vlach D24/186

* cited by examiner

Primary Examiner — Wan Laymon

Assistant Examiner — Mark Booker

(74) *Attorney, Agent, or Firm* — Dunlap Bennett &
Ludwig PLLC

(57) **CLAIM**

The ornamental design for a digital health monitoring device, as shown and described.

DESCRIPTION

FIG. 1 is a front perspective view digital health monitoring device;

FIG. 2 is a front elevation view thereof;

FIG. 3 is a rear elevation view thereof;

FIG. 4 is a left side elevation view thereof;

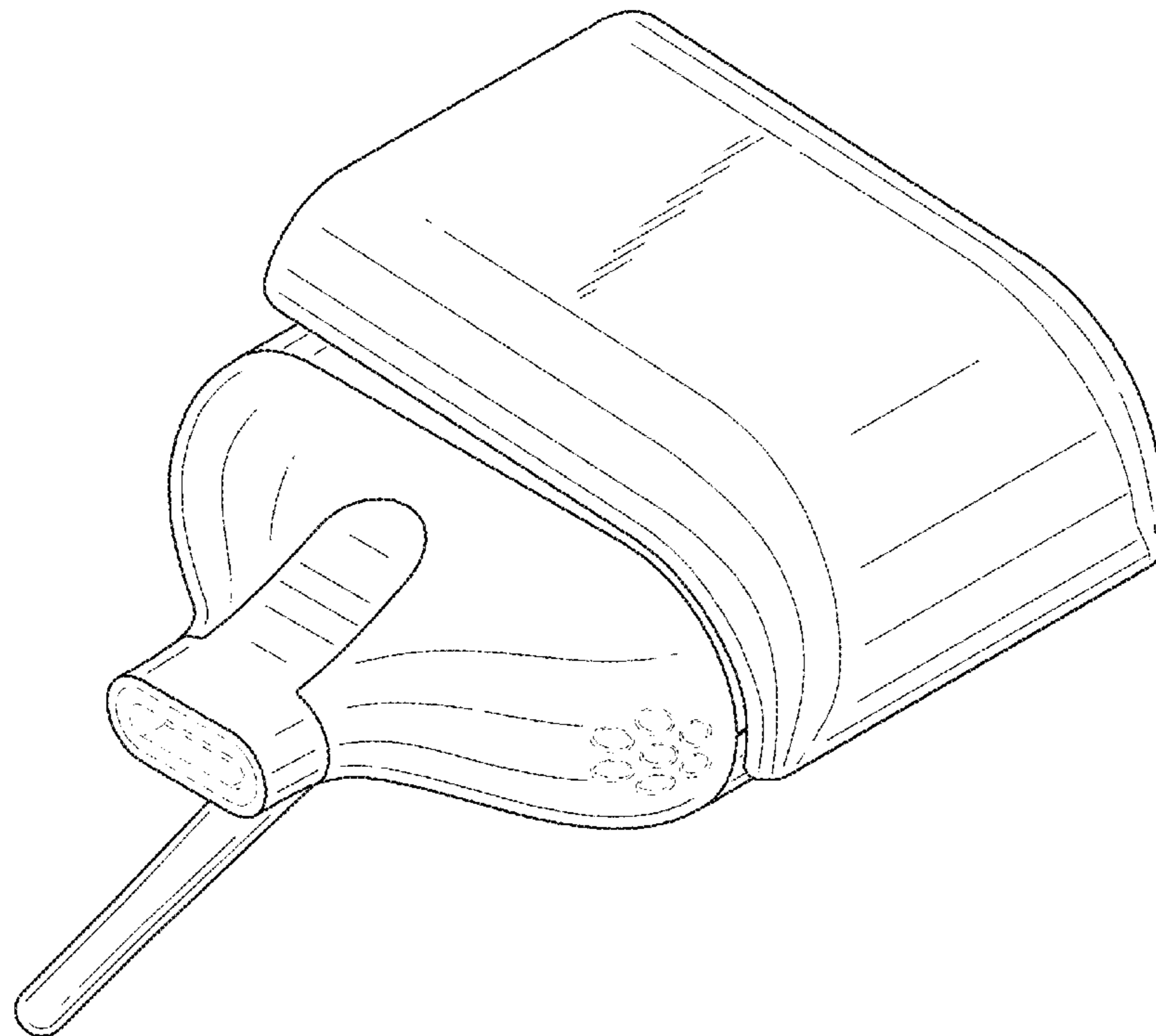
FIG. 5 is a right side elevation view thereof;

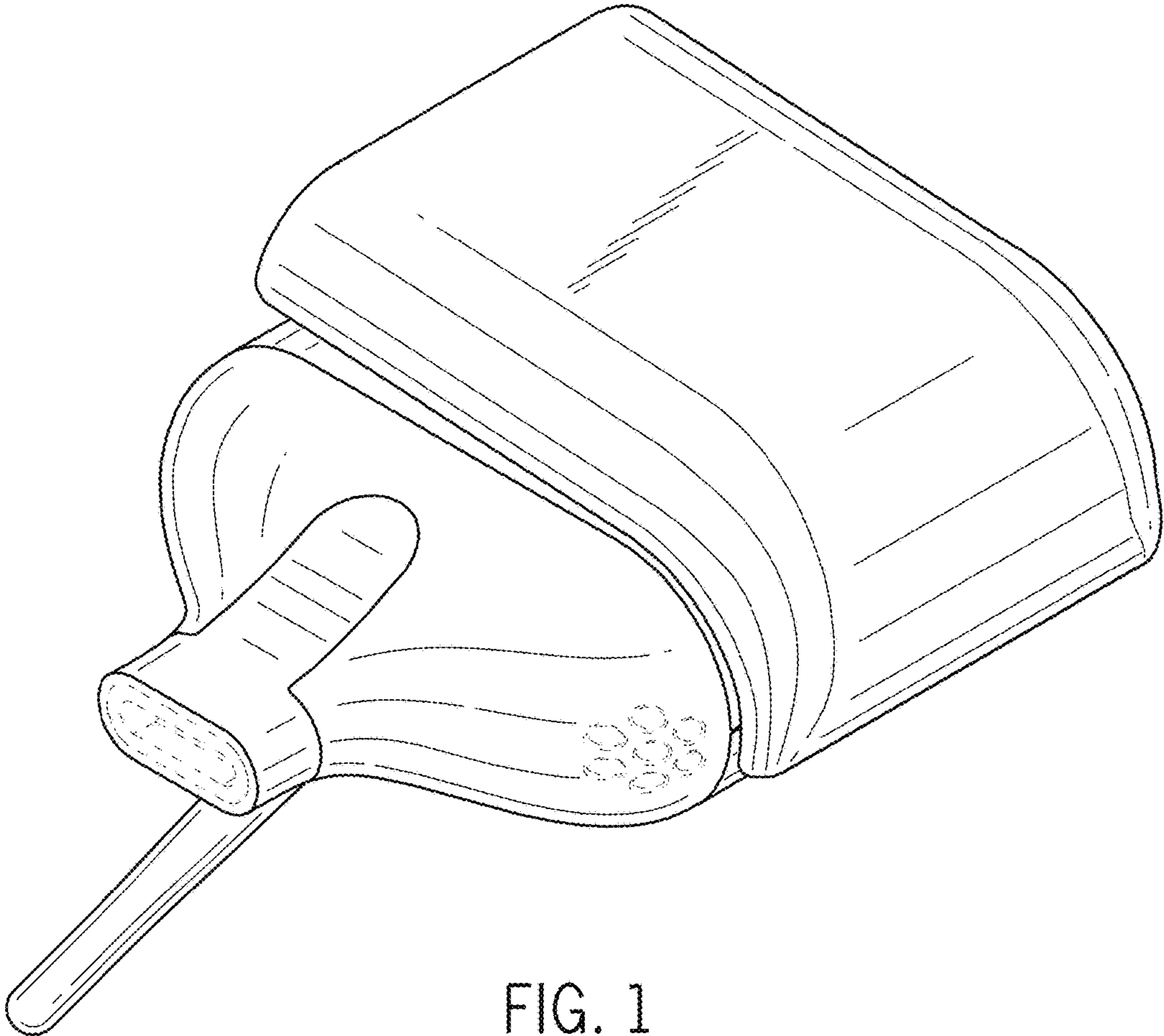
FIG. 6 is a top plan view thereof; and,

FIG. 7 is a bottom plan view thereof.

The broken lines shown in the drawings illustrate portions of the digital health monitoring device that form no part of the claimed design.

1 Claim, 5 Drawing Sheets





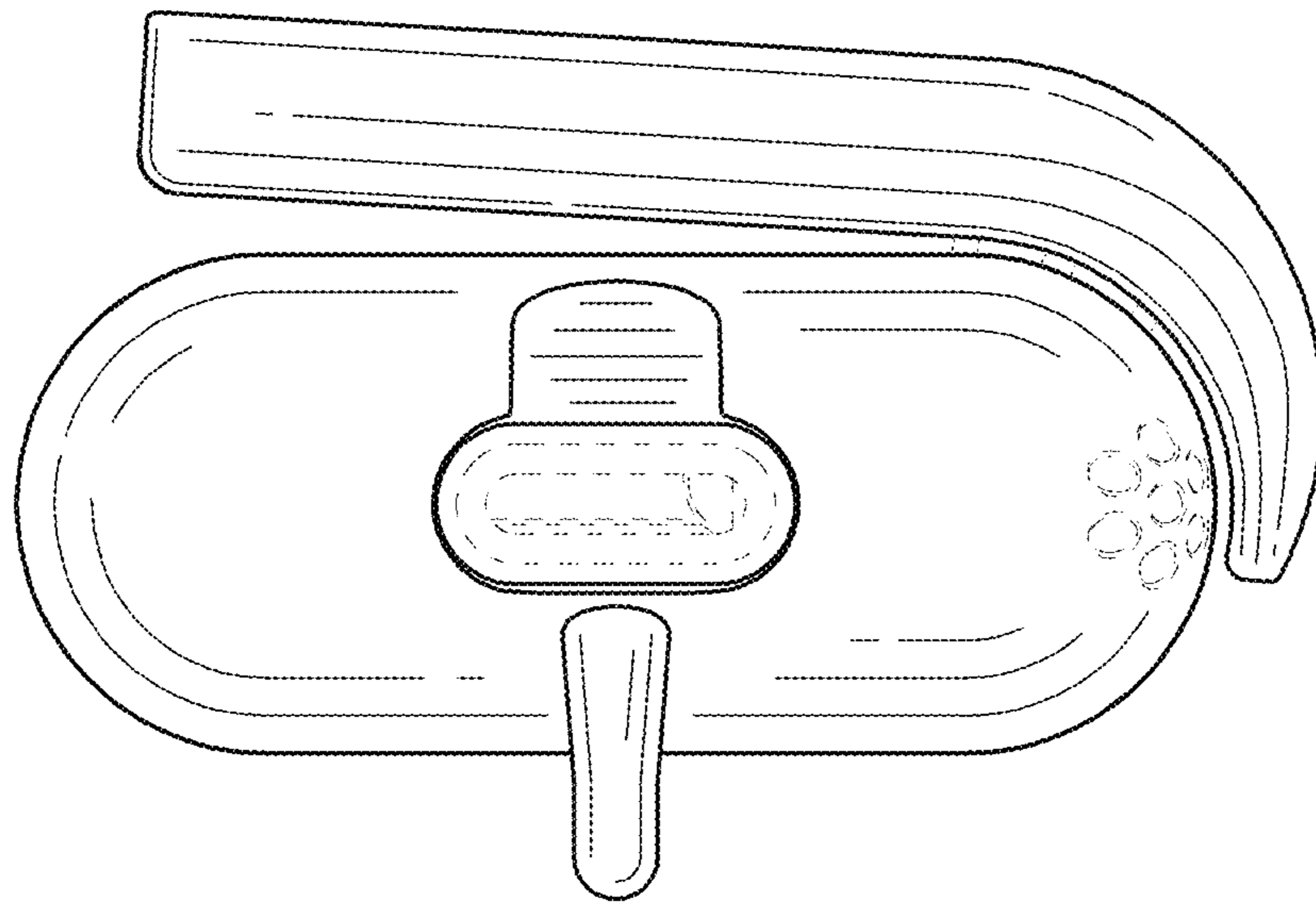


FIG. 2

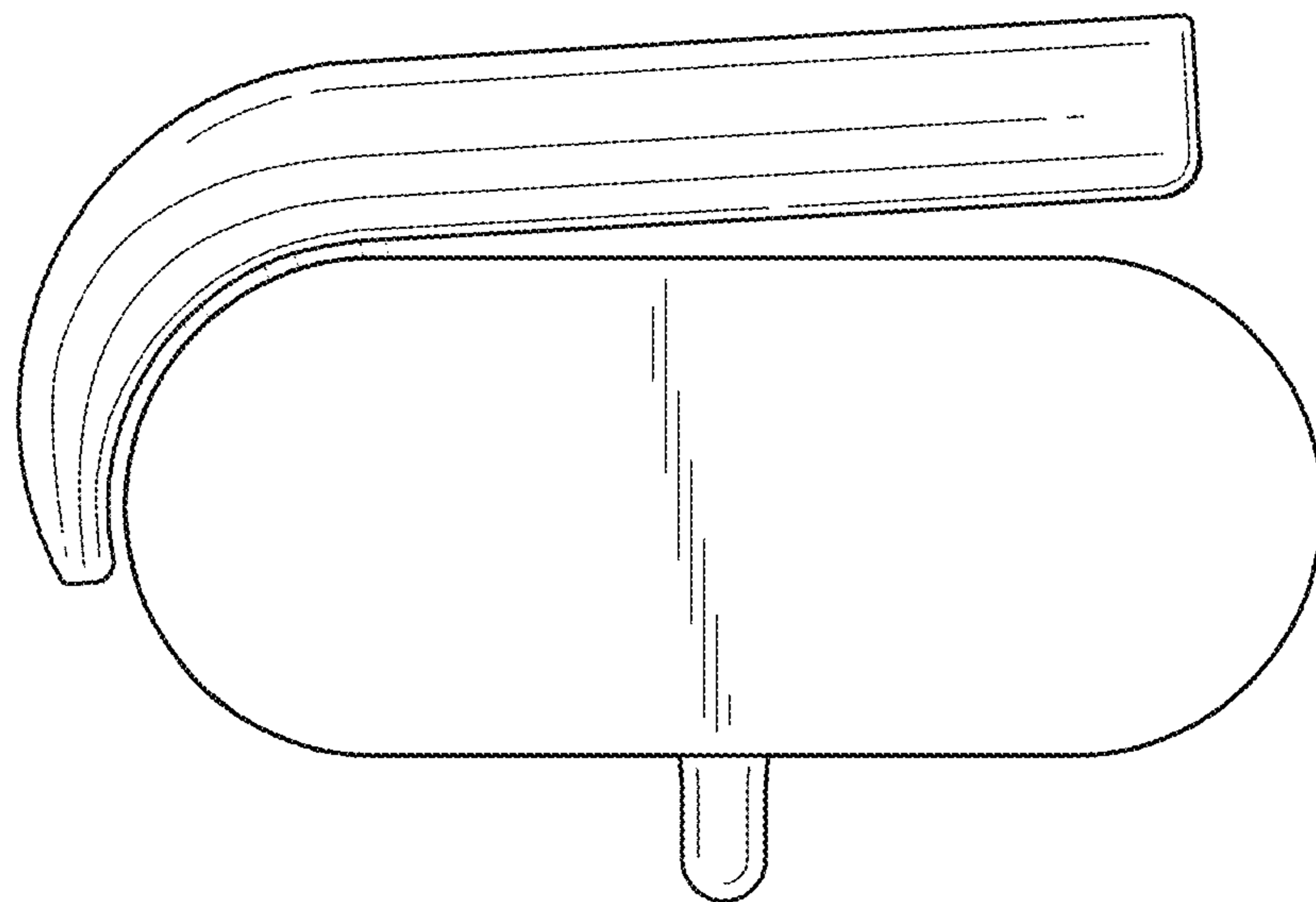


FIG. 3

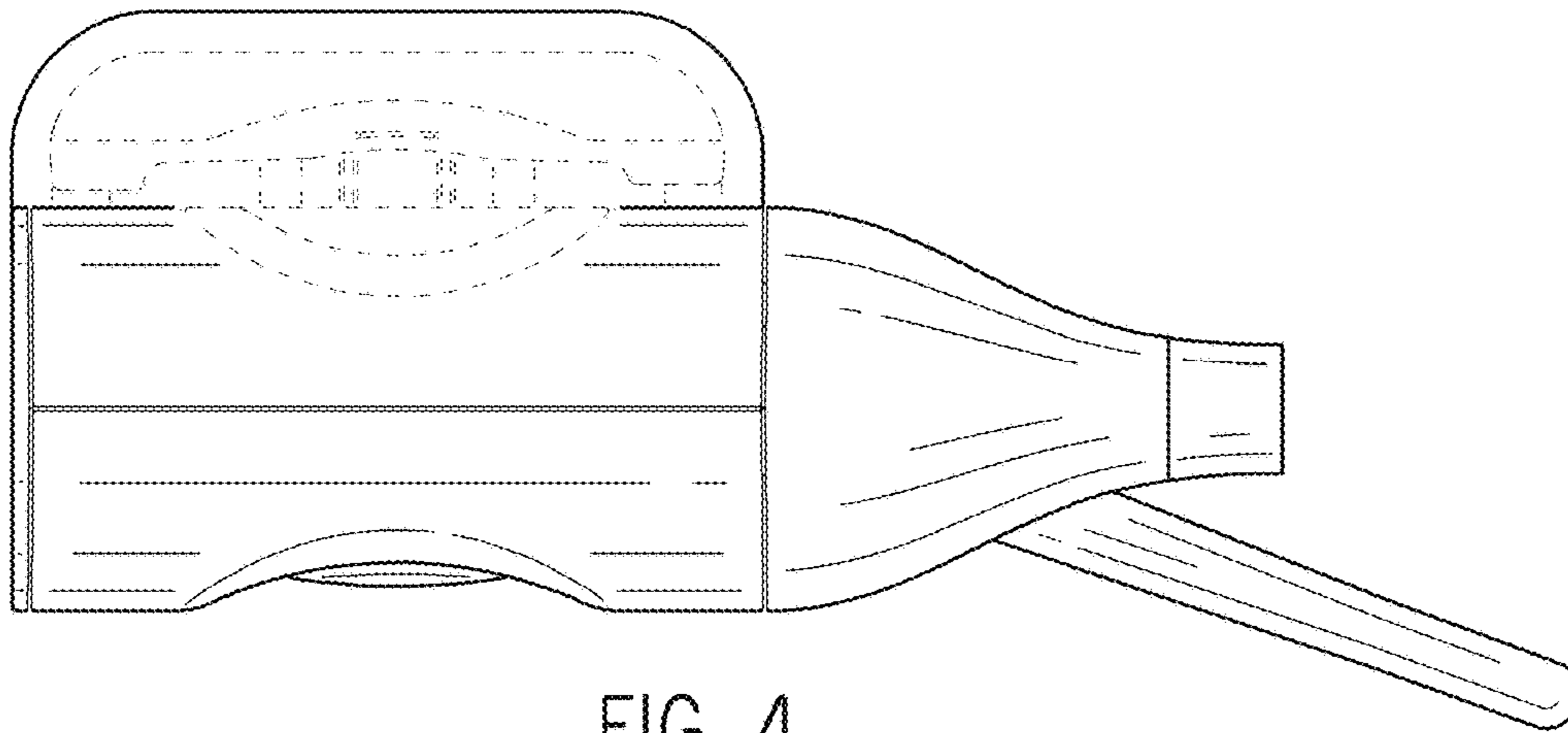


FIG. 4

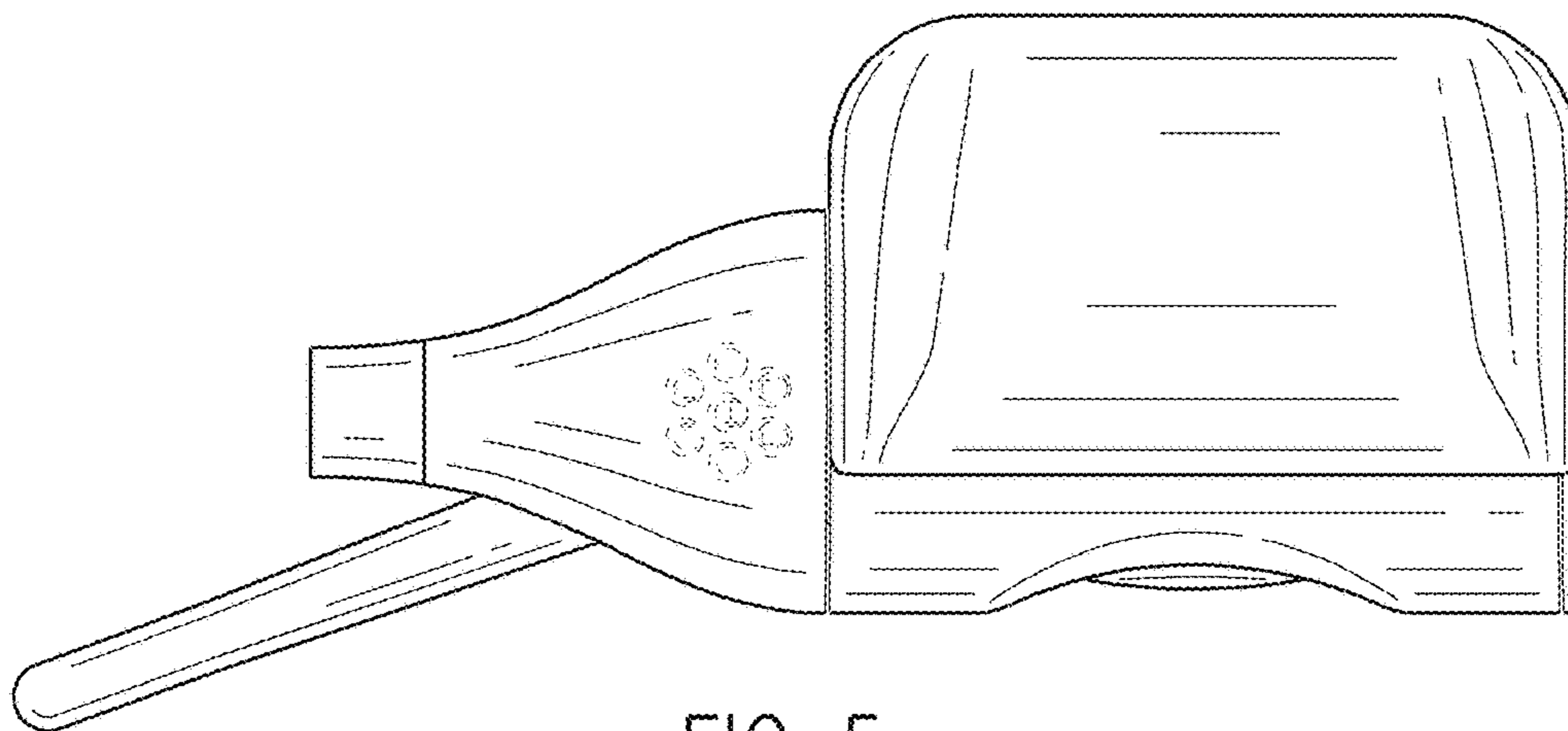


FIG. 5

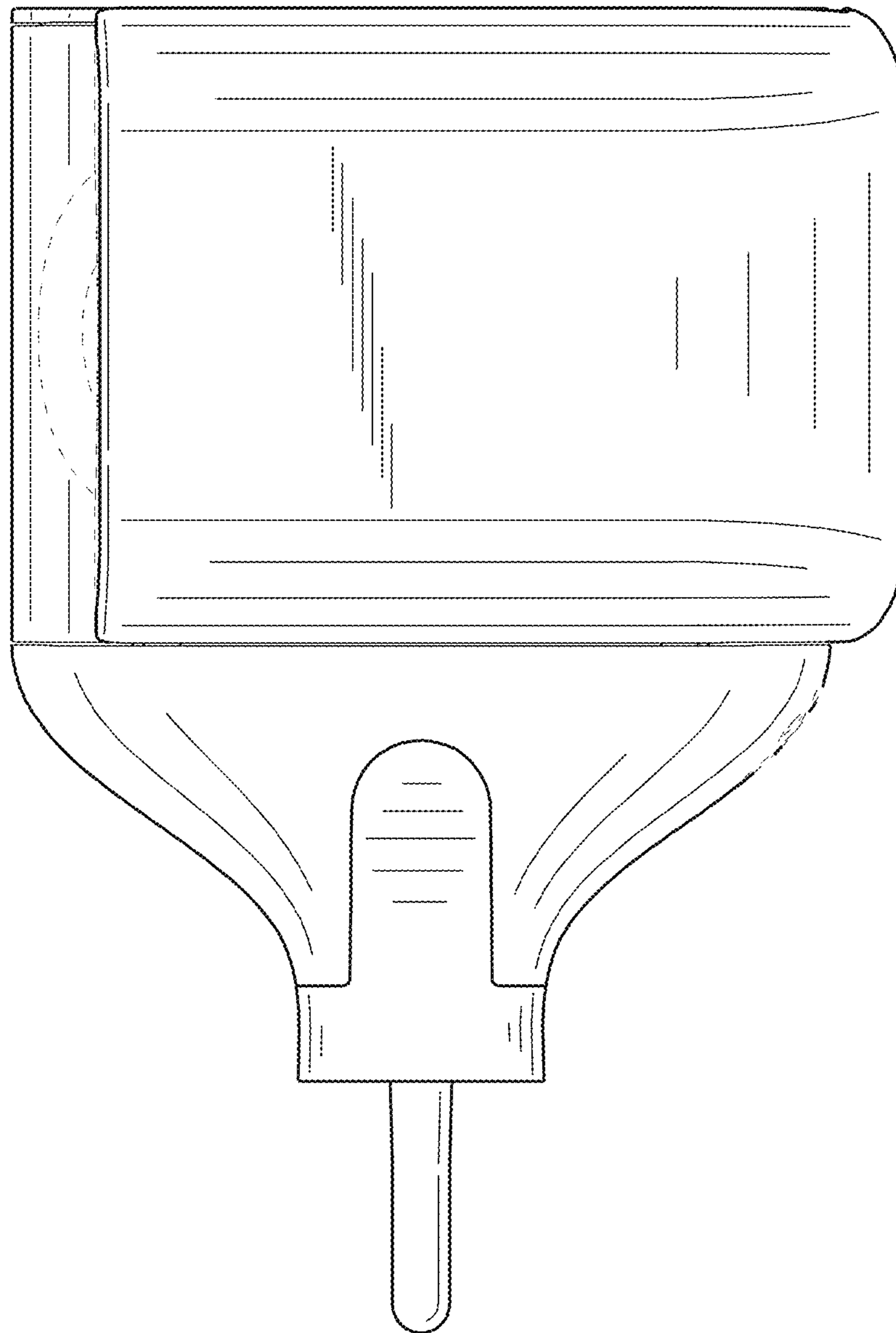


FIG. 6

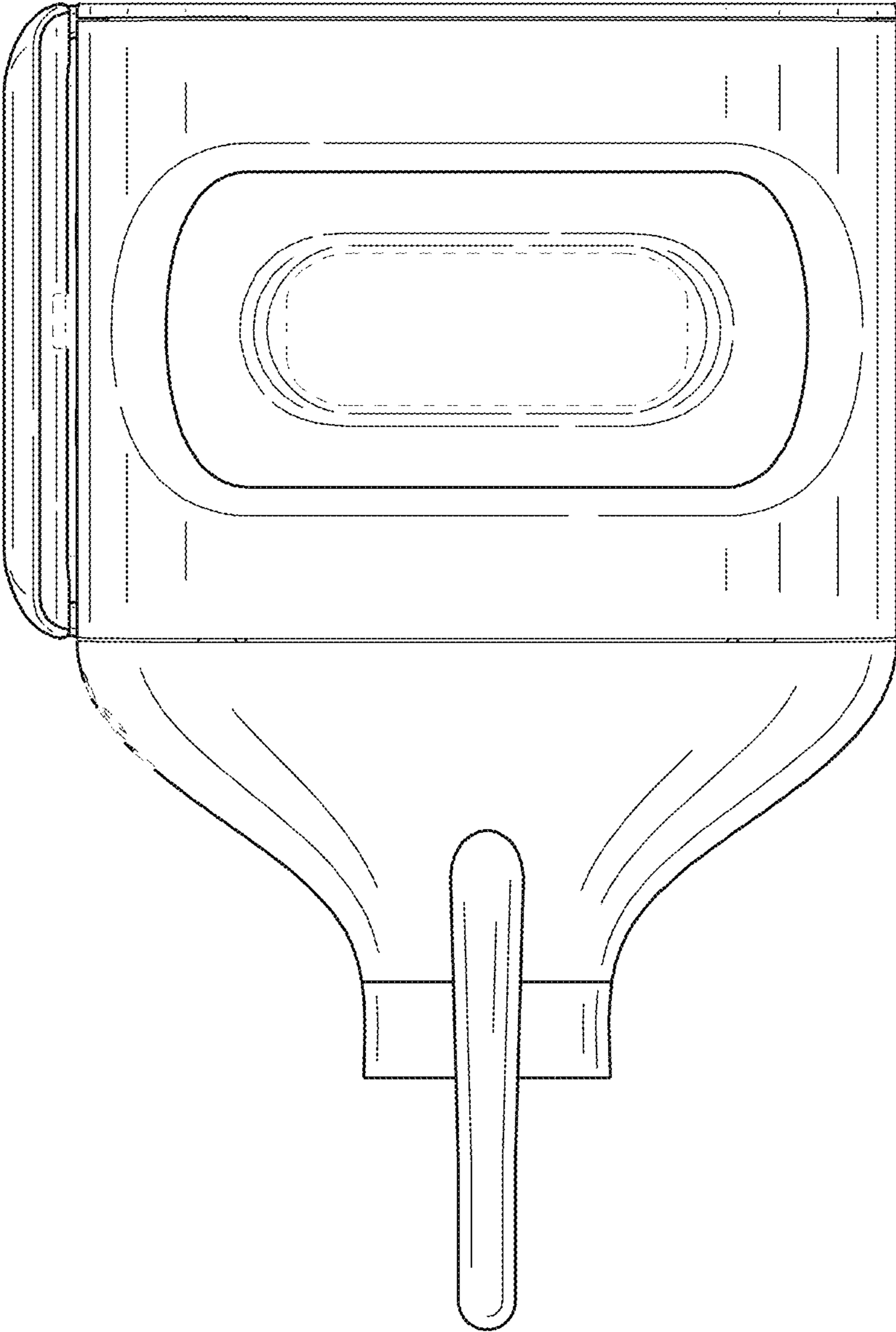


FIG. 7