



US00D792595S

(12) **United States Design Patent**  
**Lu**

(10) **Patent No.:** **US D792,595 S**  
(45) **Date of Patent:** **\*\* Jul. 18, 2017**

(54) **AUTOMATIC SUPPORT FOR HEADREST**

1/0355; A47C 7/006; A47C 7/38; A47C 7/50; B60N 2/165; B60N 2/1615

(71) Applicant: **Dongguan Weihong Hardware and Plastic Products Co., Ltd., Dongguan (CN)**

See application file for complete search history.

(72) Inventor: **Wei Lu, Dongguan (CN)**

(56) **References Cited**

(73) Assignee: **DONGGUAN WEIHONG HARDWARE AND PLASTIC PRODUCTS CO., LTD., Dongguan (CN)**

U.S. PATENT DOCUMENTS

(\*\*) Term: **15 Years**

- 3,476,495 A \* 11/1969 Church ..... A47C 1/0355  
297/330
- 3,596,982 A \* 8/1971 Grams ..... A61G 15/02  
297/344.17
- 3,698,673 A \* 10/1972 Olsen ..... A61G 15/02  
248/421
- 4,691,964 A \* 9/1987 Morgan ..... A47C 1/0242  
297/76

(21) Appl. No.: **29/565,693**

(Continued)

(22) Filed: **May 24, 2016**

*Primary Examiner* — Ian Simmons

*Assistant Examiner* — Mark Cavanna

(30) **Foreign Application Priority Data**

(74) *Attorney, Agent, or Firm* — Shimokaji IP

Jan. 25, 2016 (CN) ..... 2016 3 0025864

(51) **LOC (10) Cl.** ..... **24-01**

(52) **U.S. Cl.**  
USPC ..... **D24/184**

(58) **Field of Classification Search**

USPC ..... D24/183-184, 127-128; D15/143, 199; D6/716.5, 702; D12/131; 128/845, 846, 128/878, 882; 248/421; 297/330, 297/344.14, 344.15, 344.17, 423.28, 297/428.35, 68, 71, 76, 83, 90, DIG. 10; 5/600, 621, 622, 624, 630, 637, 640, 647, 5/648; 602/32, 33; 606/130, 59

CPC ..... A61B 34/20; A61B 34/30; A61B 34/71; A61B 90/14; A61G 13/0036; A61G 13/0054; A61G 13/0081; A61G 13/101; A61G 13/121; A61G 13/123; A61G 13/124; A61G 13/129; A61G 13/1245; A61G 13/1205; A61G 13/125; A61G 13/1285; A61G 13/1295; A61G 13/12; A61G 15/02; A61G 15/14; A61G 7/075; A61G 7/0503; A47C 1/0242; A47C

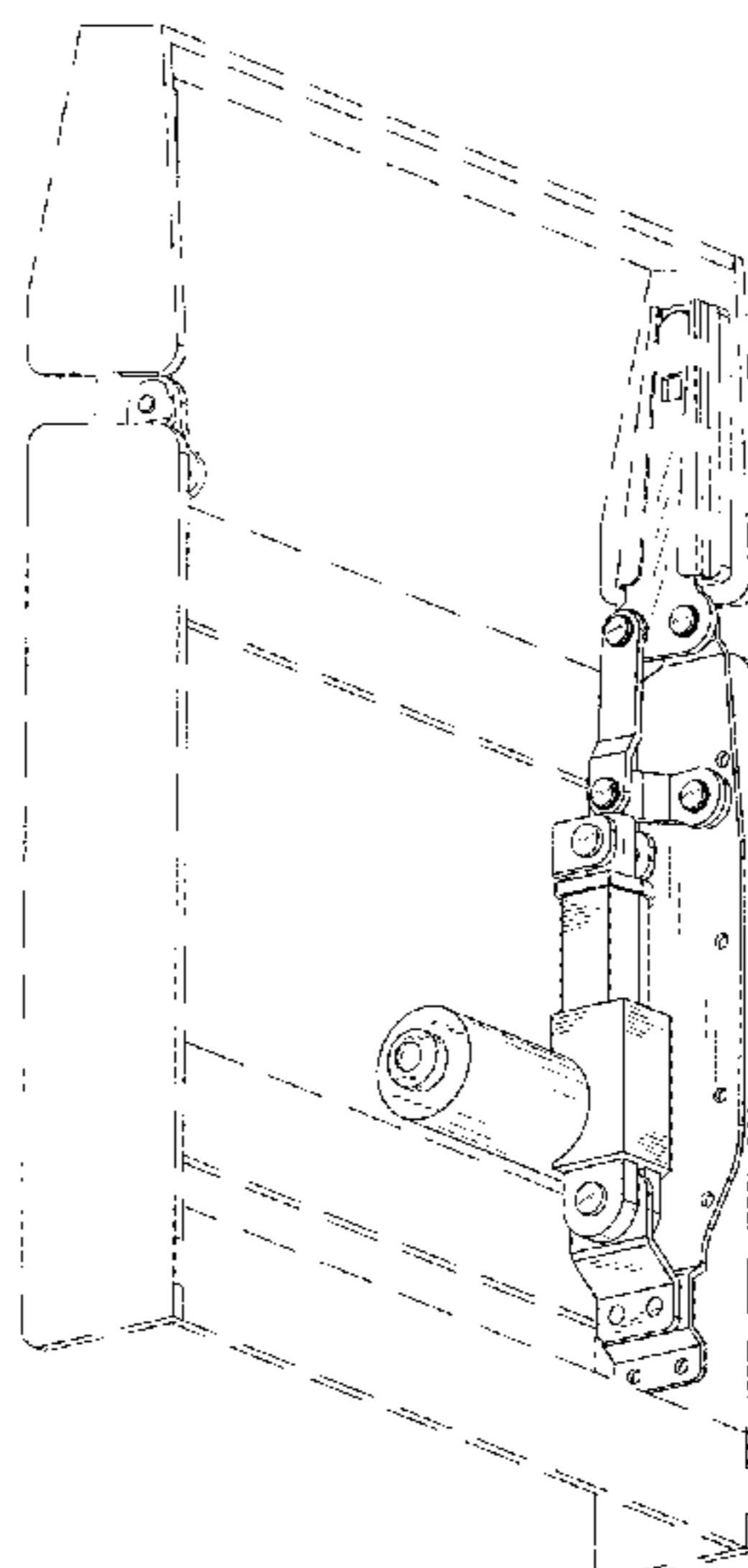
(57) **CLAIM**

The ornamental design for an automatic support for headrest, as shown and described.

**DESCRIPTION**

FIG. 1 is a front elevational view of an automatic support for headrest showing my new design;  
 FIG. 2 is a rear elevational view thereof;  
 FIG. 3 is a left side elevational view thereof;  
 FIG. 4 is a right side elevational view thereof;  
 FIG. 5 is a top plan view thereof;  
 FIG. 6 is a bottom plan view thereof;  
 FIG. 7 is a first perspective view thereof;  
 FIG. 8 is a second perspective view thereof;  
 FIG. 9 is a perspective view showing another position thereof to be used; and,  
 FIG. 10 is a perspective view thereof after being installed.  
 The broken line showing is for environmental purposes only and forms no part of the claimed design.

**1 Claim, 8 Drawing Sheets**



(56)

References Cited

U.S. PATENT DOCUMENTS

4,722,566 A \* 2/1988 Castellini ..... A61G 15/02  
297/68

4,850,645 A \* 7/1989 Crockett ..... A61G 5/14  
297/344.14

6,810,544 B1 \* 11/2004 Smith ..... A47C 7/50  
297/423.28

7,413,252 B2 \* 8/2008 Kim ..... B60N 2/165  
297/344.17

D595,752 S \* 7/2009 Lin ..... D15/143

D595,753 S \* 7/2009 Tseng ..... D15/143

7,730,563 B1 \* 6/2010 Sklar ..... A61G 13/121  
5/622

7,947,006 B2 \* 5/2011 Torrie ..... A61G 13/0036  
128/846

D656,975 S \* 4/2012 Tseng ..... D15/143

8,356,601 B2 \* 1/2013 Hunter, Jr. .... A61G 13/129  
128/878

D686,648 S \* 7/2013 Wu ..... D15/199

D696,704 S \* 12/2013 Battistella ..... D15/143

9,107,792 B2 \* 8/2015 Catacchio ..... A61G 13/0036

9,161,875 B2 \* 10/2015 Clark ..... A61G 13/101

9,282,827 B1 \* 3/2016 Lu ..... A47C 7/38

RE46,032 E \* 6/2016 Torrie ..... A61G 13/0036

D765,749 S \* 9/2016 Wu ..... D15/143

9,480,614 B2 \* 11/2016 Torrie ..... A61G 13/0036

9,566,201 B2 \* 2/2017 Yu ..... A61B 34/71

D780,929 S \* 3/2017 Nurminen ..... D24/184

2008/0078031 A1 \* 4/2008 Weinstein ..... A61G 13/12  
403/11

2010/0249780 A1 \* 9/2010 Rolfes ..... A61B 90/14  
606/59

2016/0345740 A1 \* 12/2016 Lu ..... A47C 7/38

\* cited by examiner

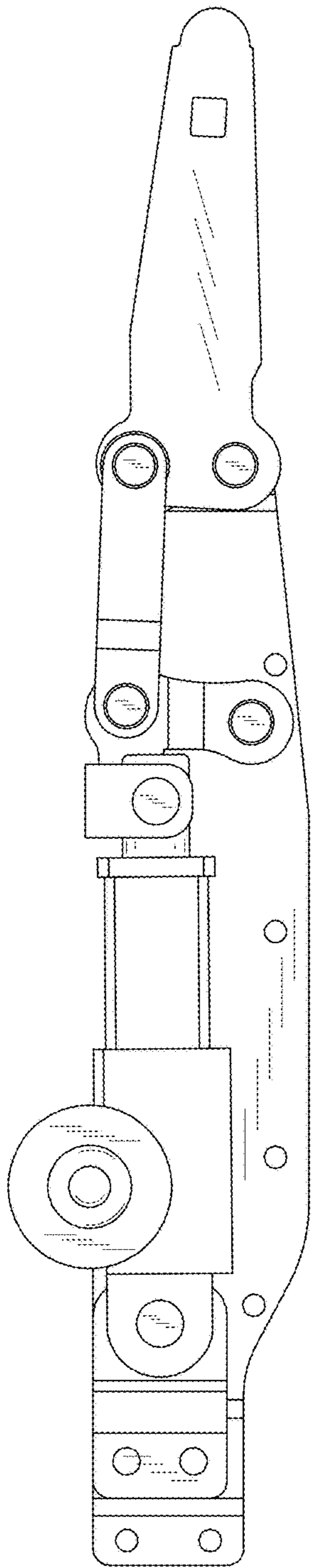


FIG.1

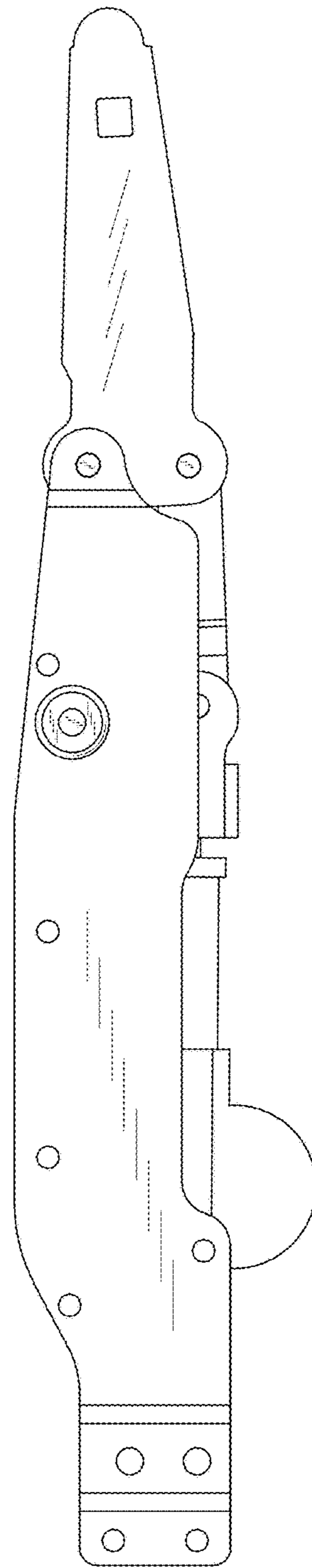


FIG.2

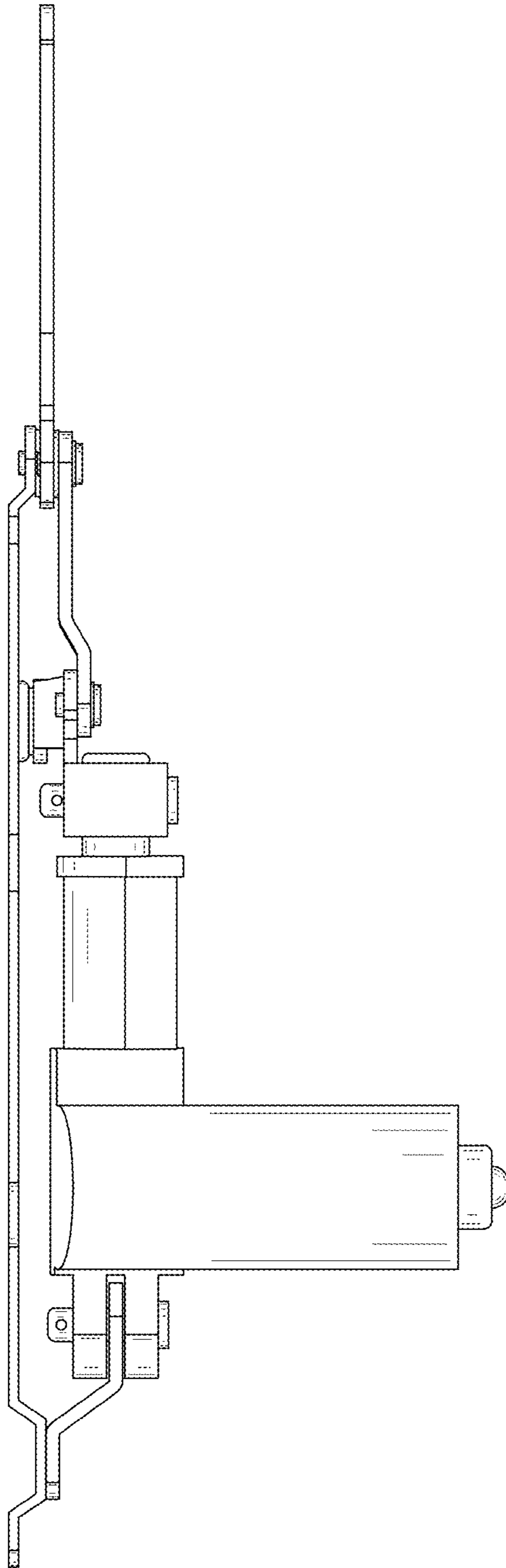


FIG.3

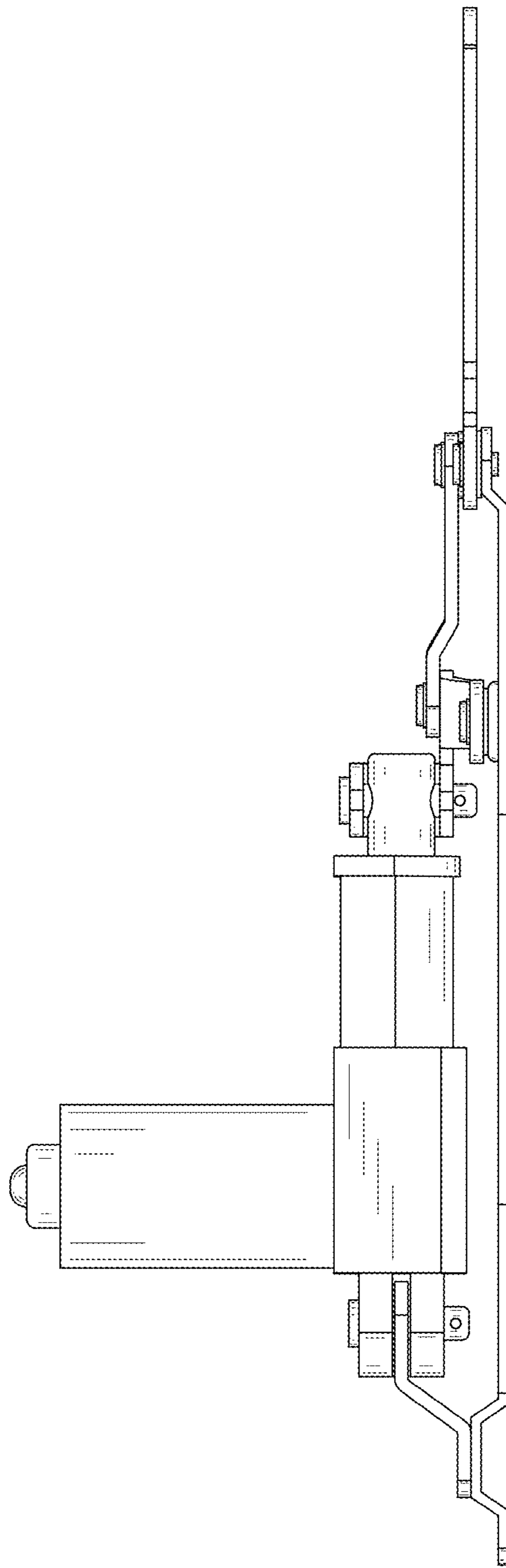


FIG.4

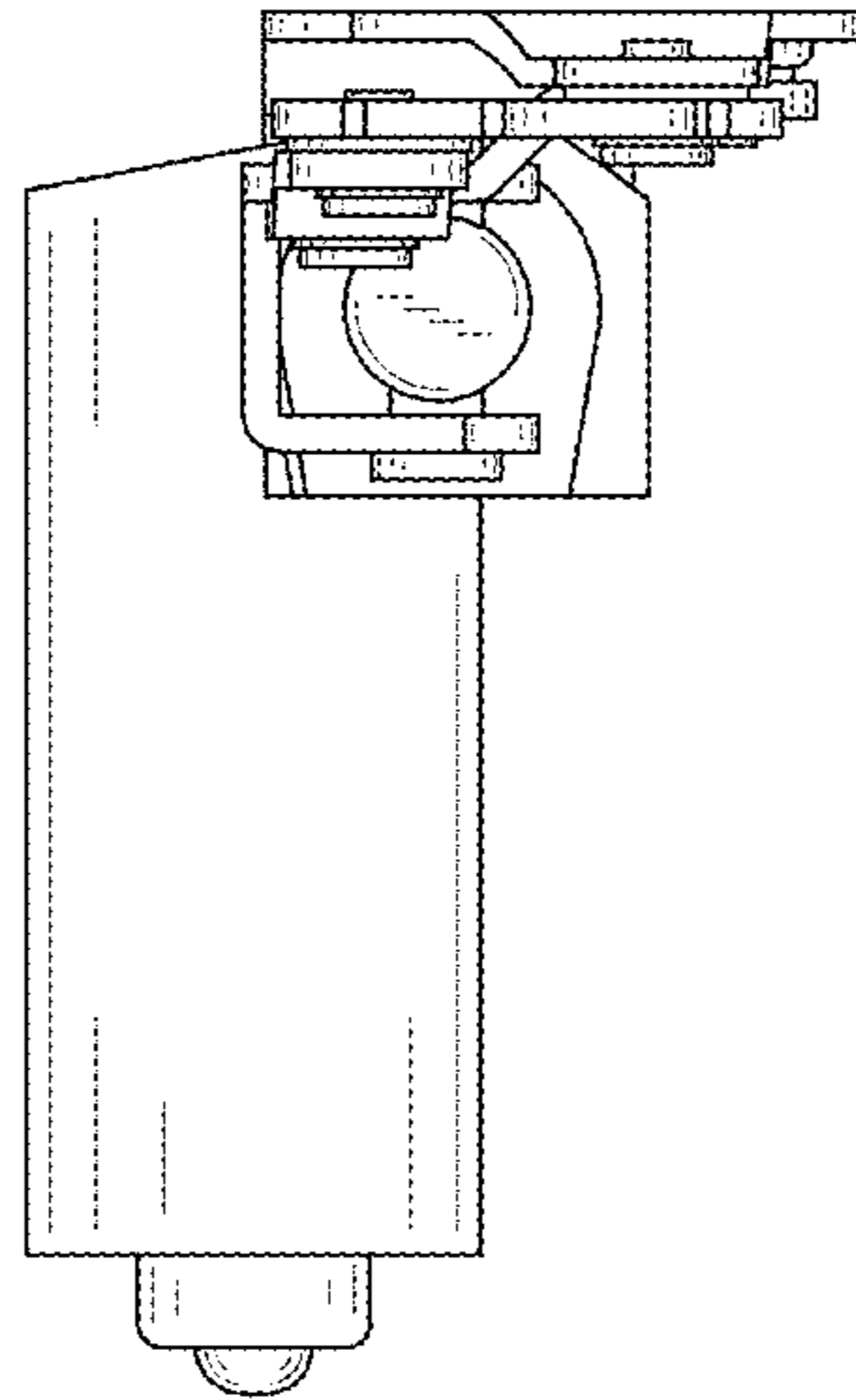


FIG. 5

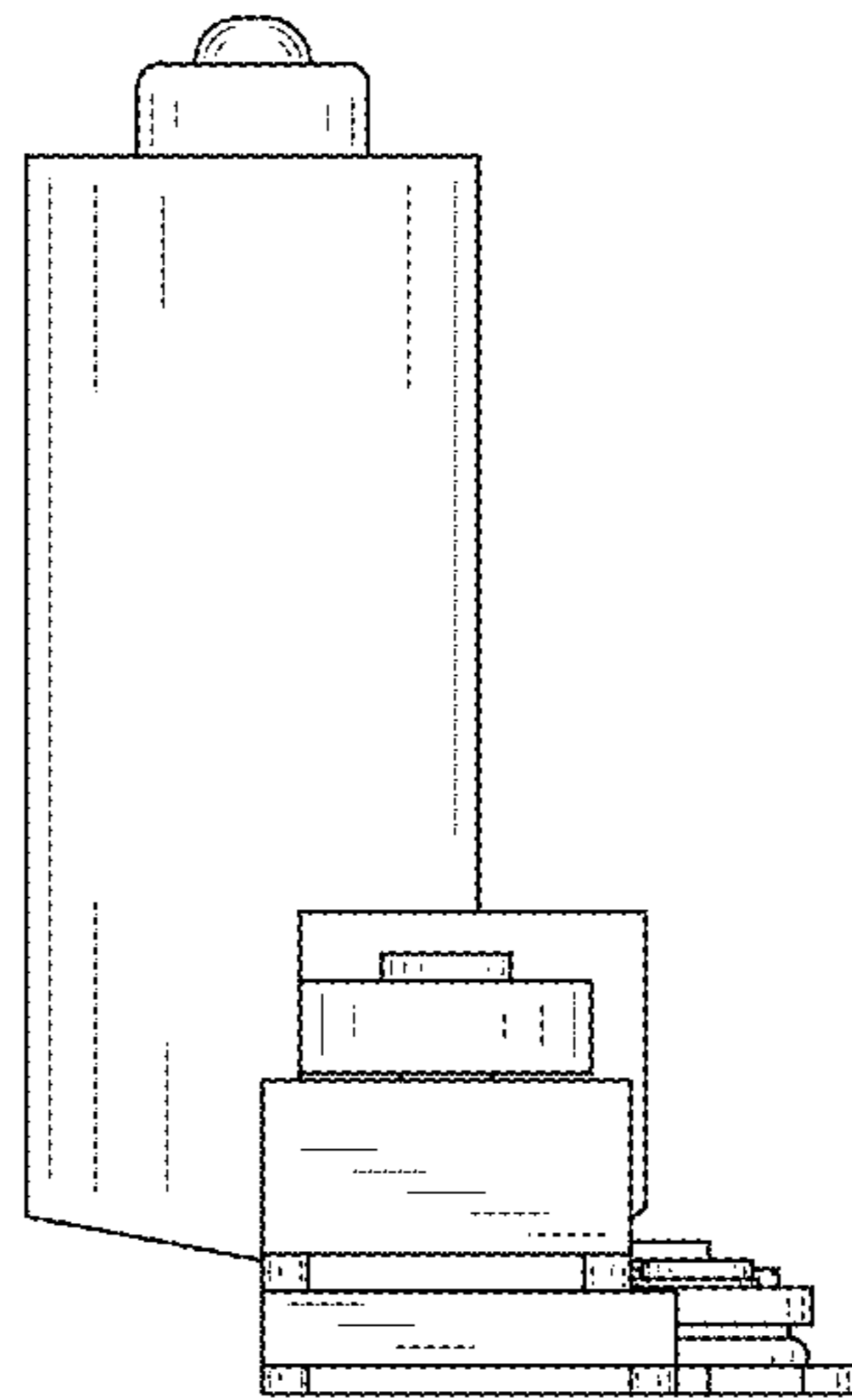


FIG. 6

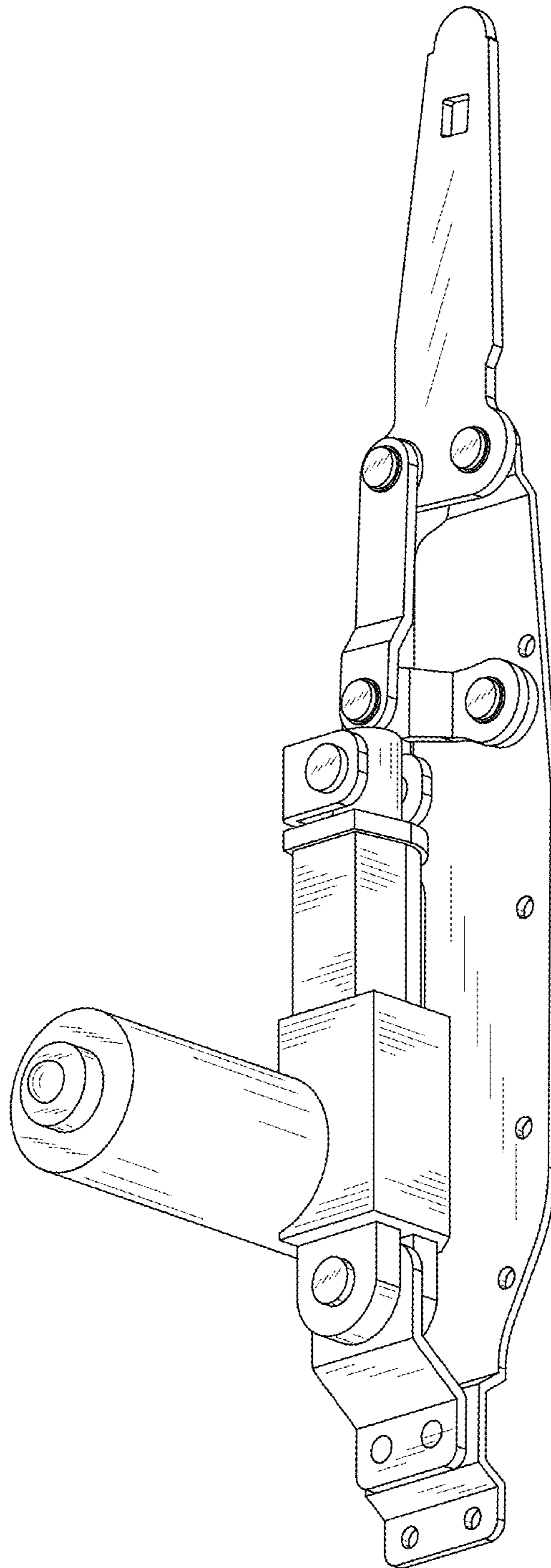


FIG. 7

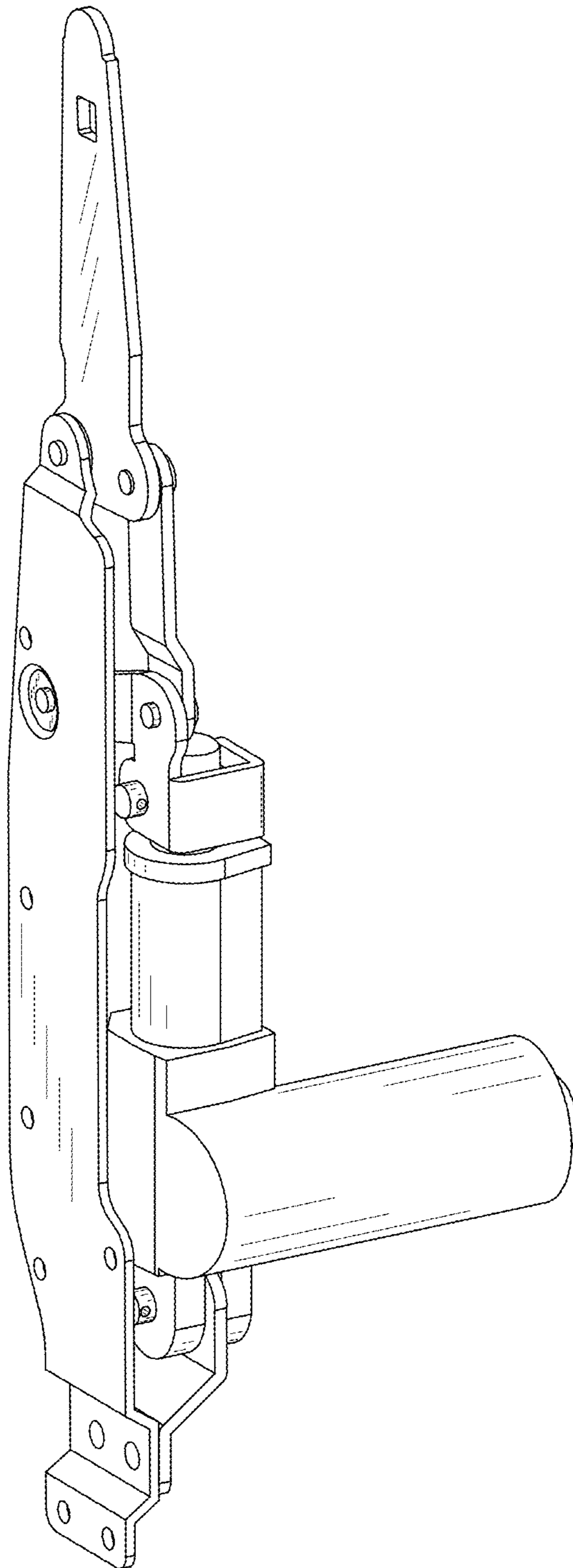


FIG. 8



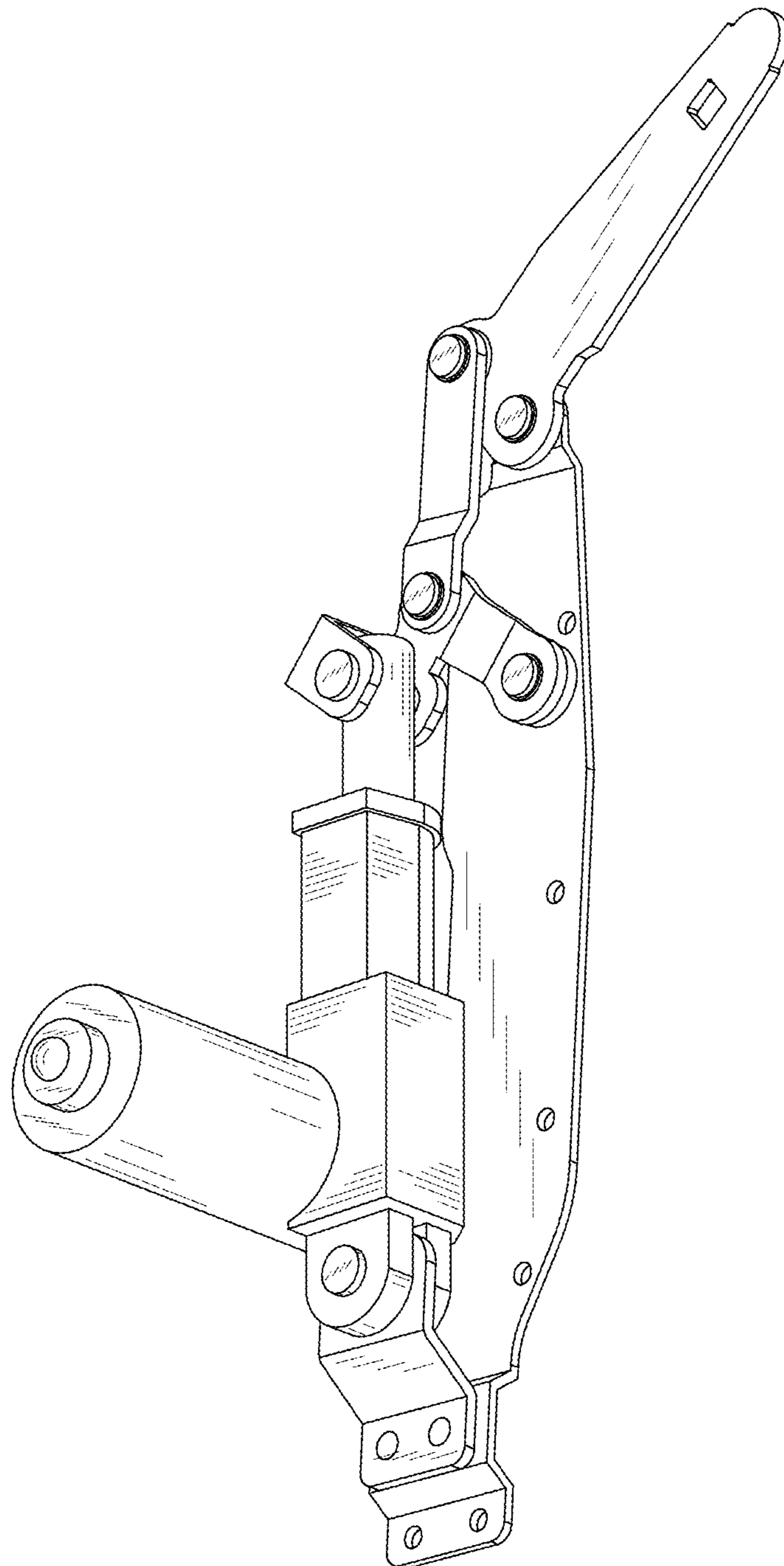


FIG.9

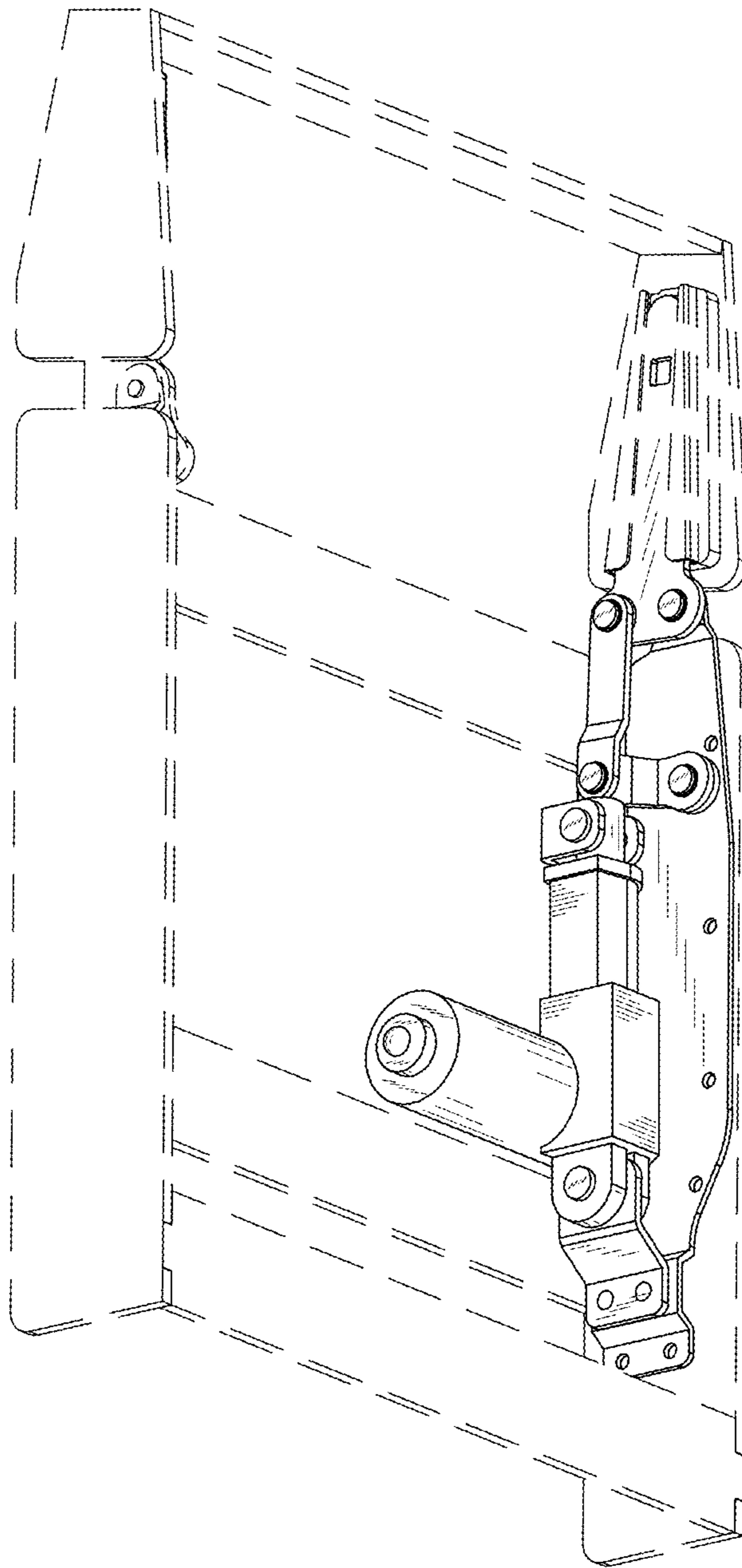


FIG.10