



US00D792594S

(12) **United States Design Patent**
Nicholson

(10) **Patent No.:** **US D792,594 S**
(45) **Date of Patent:** **** Jul. 18, 2017**

(54) **CIRCUMFERENTIAL MATRIX SYSTEM**
(71) Applicant: **DENTSPLY SIRONA Inc.**, York, PA (US)
(72) Inventor: **Peter John Nicholson**, Katikati (NZ)
(73) Assignee: **Dentsply Sirona Inc.**, York, PA (US)
(**) Term: **15 Years**

7,322,823 B2 * 1/2008 Schaffner A61C 5/85
433/155
8,517,732 B2 * 8/2013 Segal A61C 5/85
433/155
2011/0189629 A1 * 8/2011 Kilcher A61C 5/85
433/39
2014/0038130 A1 * 2/2014 Pun A61C 5/85
433/139
2014/0199652 A1 * 7/2014 McDonald A61C 5/85
433/39

(21) Appl. No.: **29/564,034**
(22) Filed: **May 10, 2016**
(51) **LOC (10) Cl.** **24-02**
(52) **U.S. Cl.**
USPC **D24/176; D24/181**
(58) **Field of Classification Search**
USPC D24/176-182, 152, 156
CPC .. A61C 5/85; A61C 5/12; A61C 5/125; A61C
5/157; A61C 5/122; A61C 5/88; A61C
5/82; A61C 3/16; A61C 13/12
See application file for complete search history.

OTHER PUBLICATIONS

ReelMatrix. [On line]. [Retrieved on May 16, 2017]. Retrieved from the Internet: <URL: www.google.com/images>.*

* cited by examiner

Primary Examiner — Wan Laymon

(74) *Attorney, Agent, or Firm* — Leana Levin; Douglas J. Hura; David A. Zdrune

(57) **CLAIM**

The ornamental design for a circumferential matrix system, as shown and described.

(56) **References Cited**

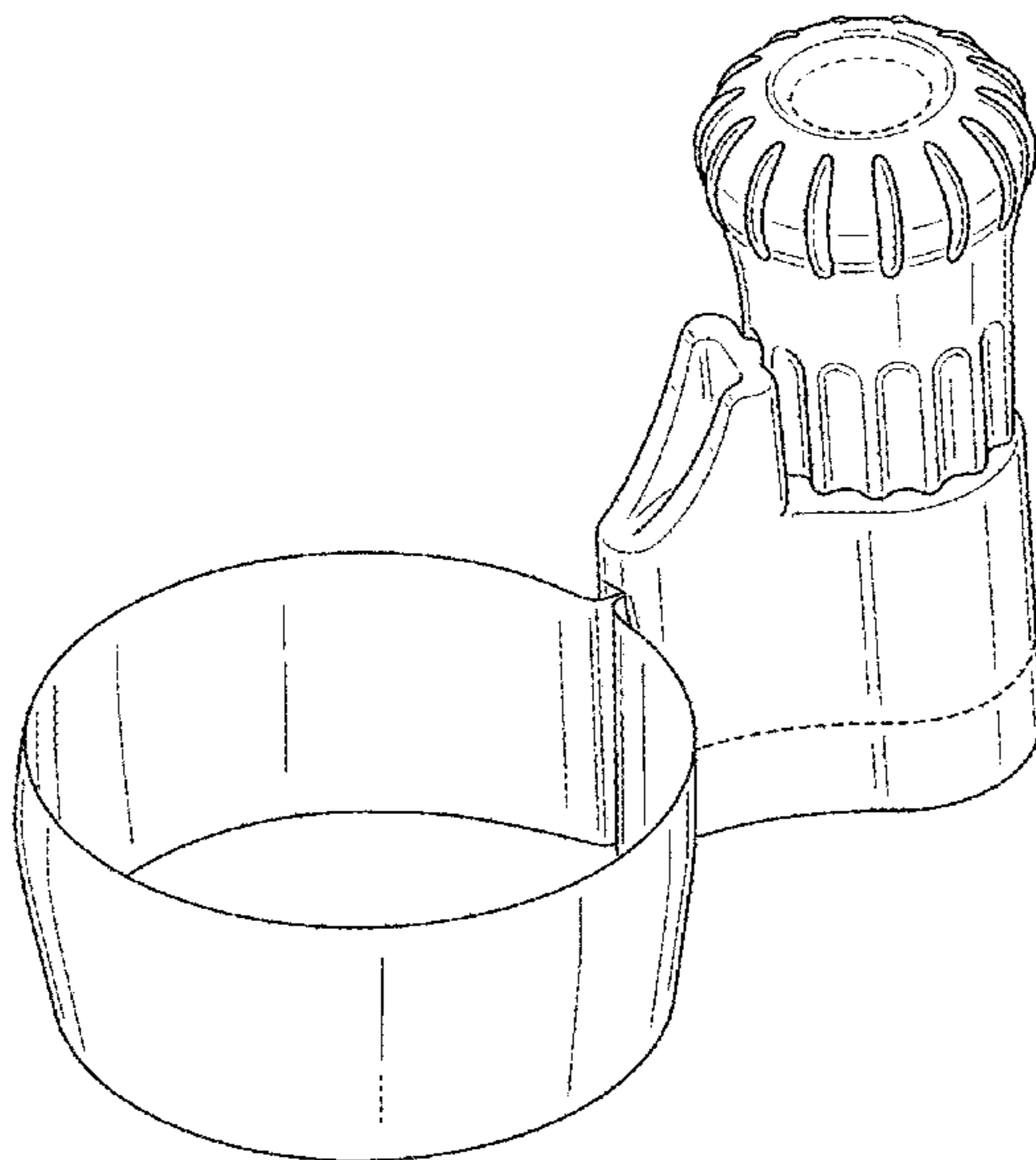
U.S. PATENT DOCUMENTS

3,795,981 A * 3/1974 Franklin A61C 5/85
433/39
3,829,975 A * 8/1974 Balson A61C 5/85
433/39
3,854,210 A * 12/1974 Franklin A61C 5/85
433/39
5,055,045 A * 10/1991 Dickie A61C 5/85
433/155
5,342,197 A * 8/1994 Stein A61C 5/85
433/155
D370,732 S * 6/1996 Smith D24/176
5,584,692 A * 12/1996 Weissenfluh A61C 5/85
433/155

DESCRIPTION

FIG. 1 is an isometric view of a circumferential matrix system showing our new design; FIG. 2 is a first side view thereof; FIG. 3 is a second side view thereof; FIG. 4 is a rear side view thereof; FIG. 5 is a front side view thereof; FIG. 6 is a top view thereof; and, FIG. 7 is a bottom view thereof. The broken lines shown in the figures are included for the purpose of illustrating portions of the circumferential matrix system and form no part of the claimed design.

1 Claim, 6 Drawing Sheets



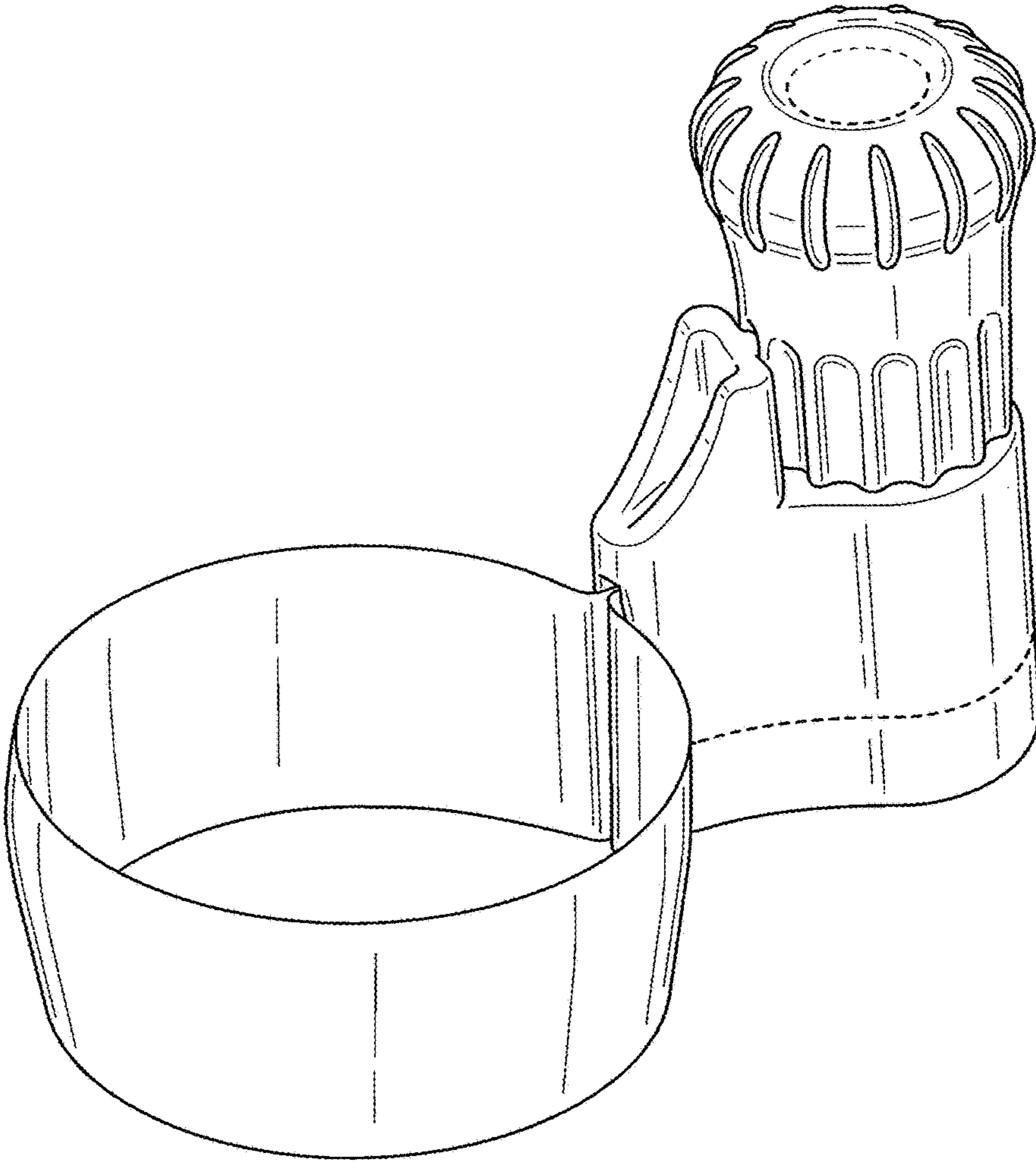


FIG. 1

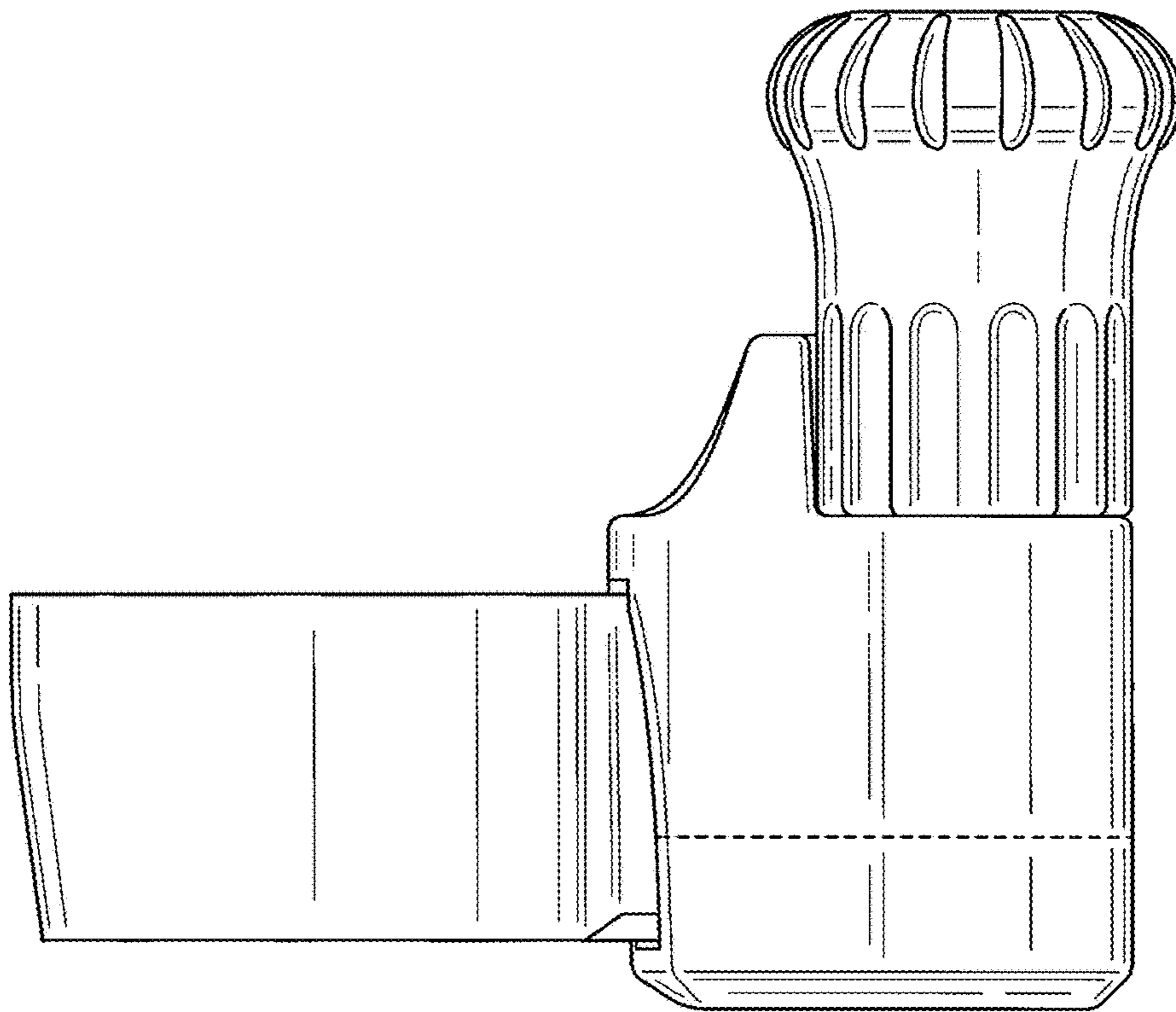


FIG. 2

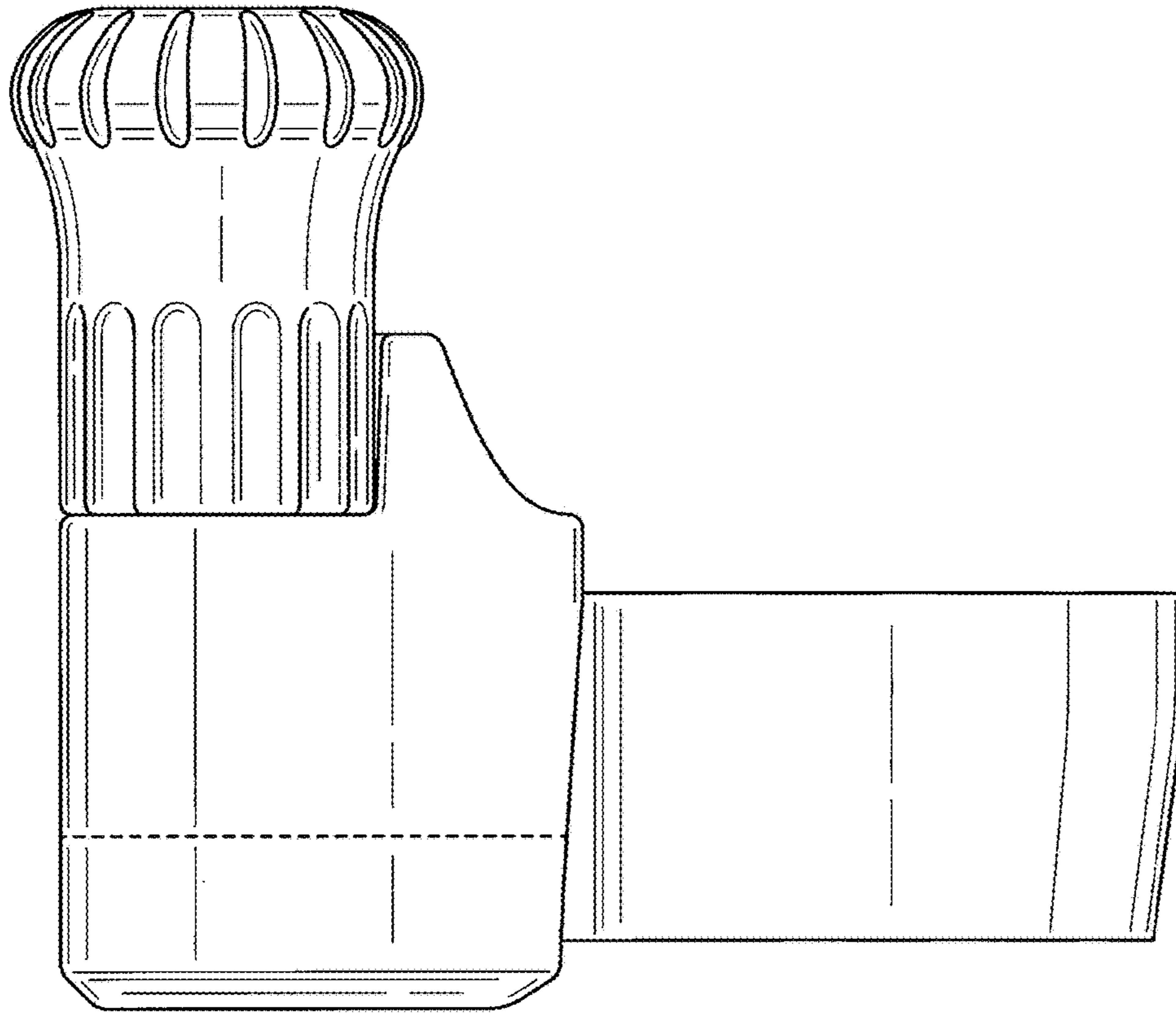


FIG. 3

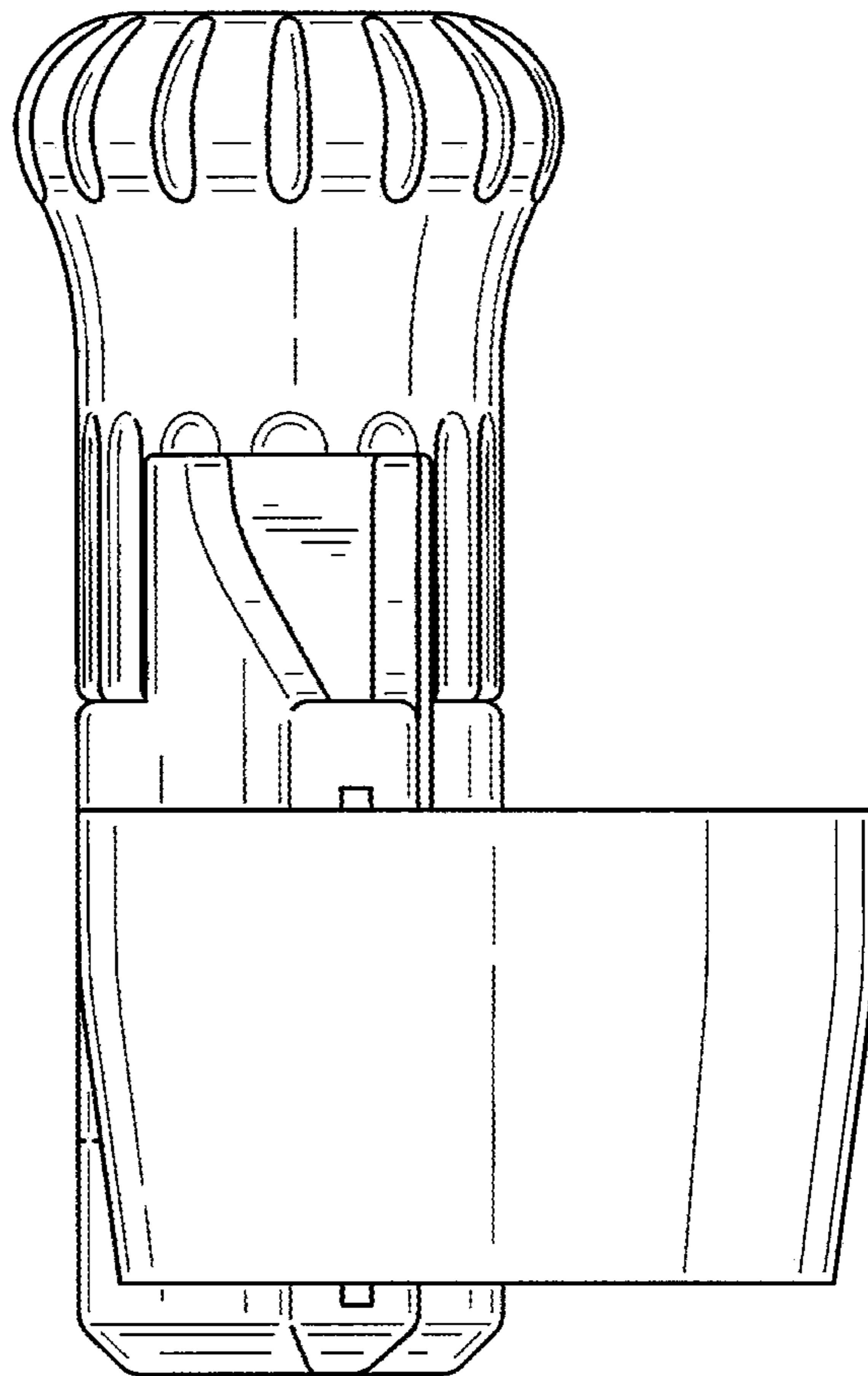


FIG. 4

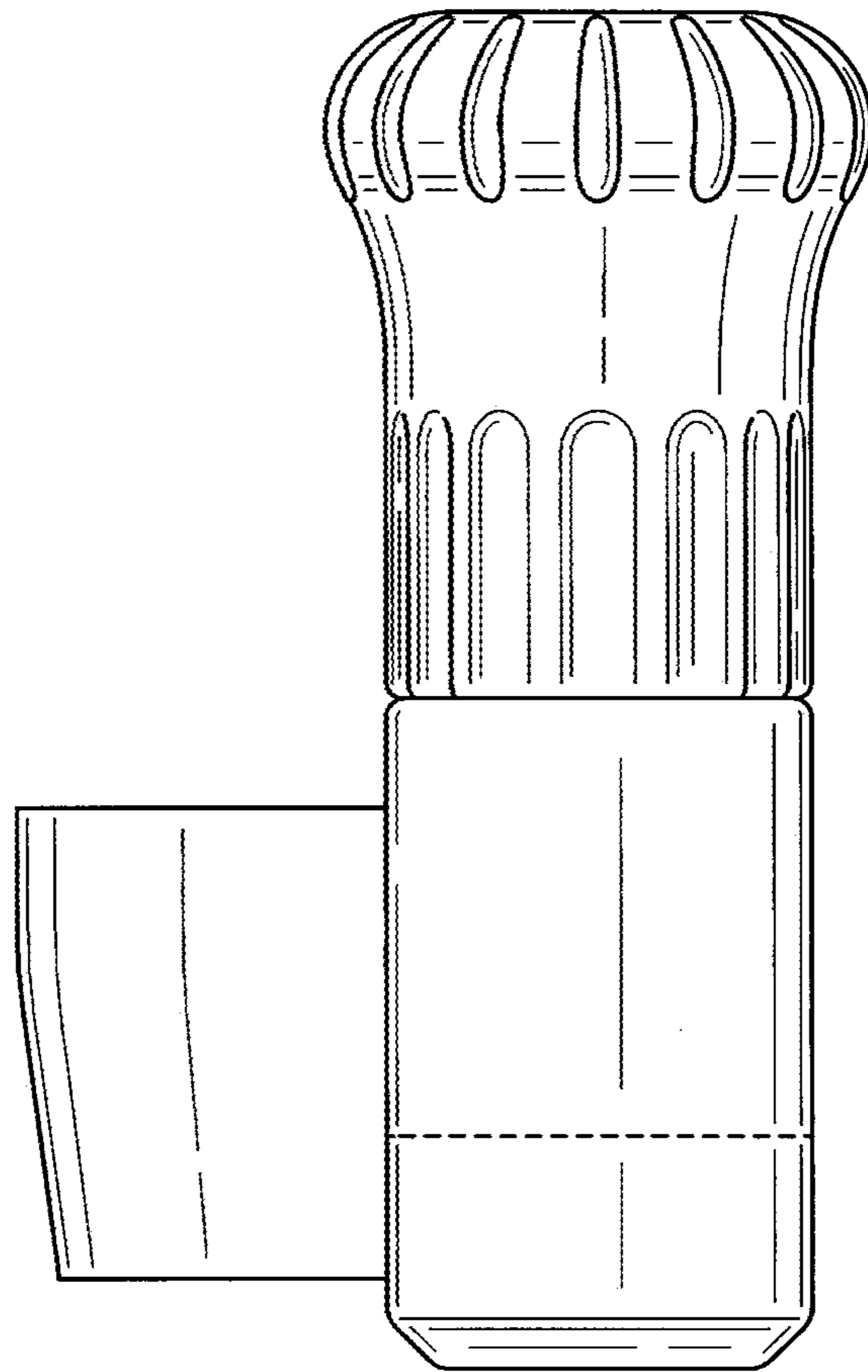


FIG. 5

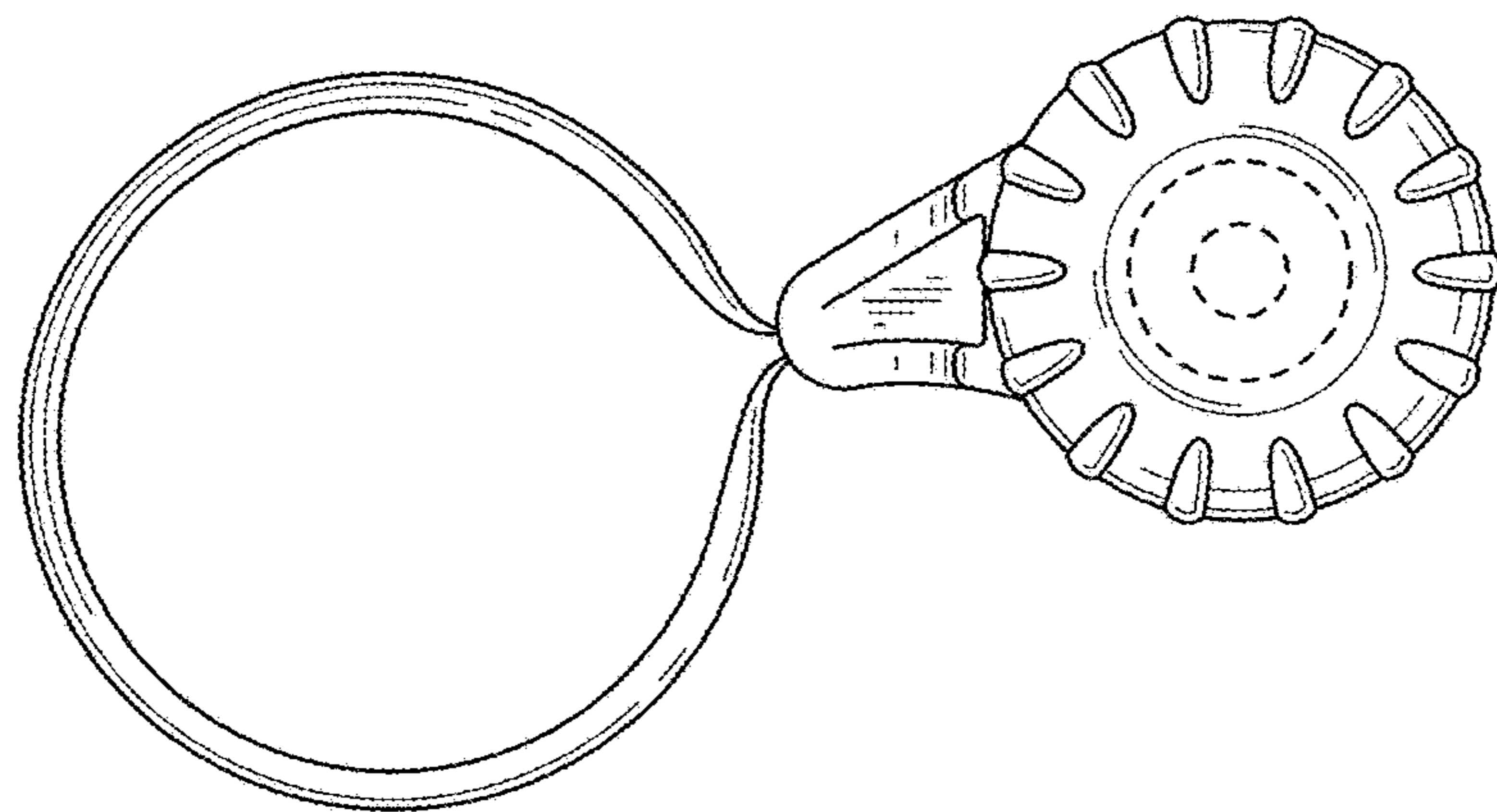


FIG. 6

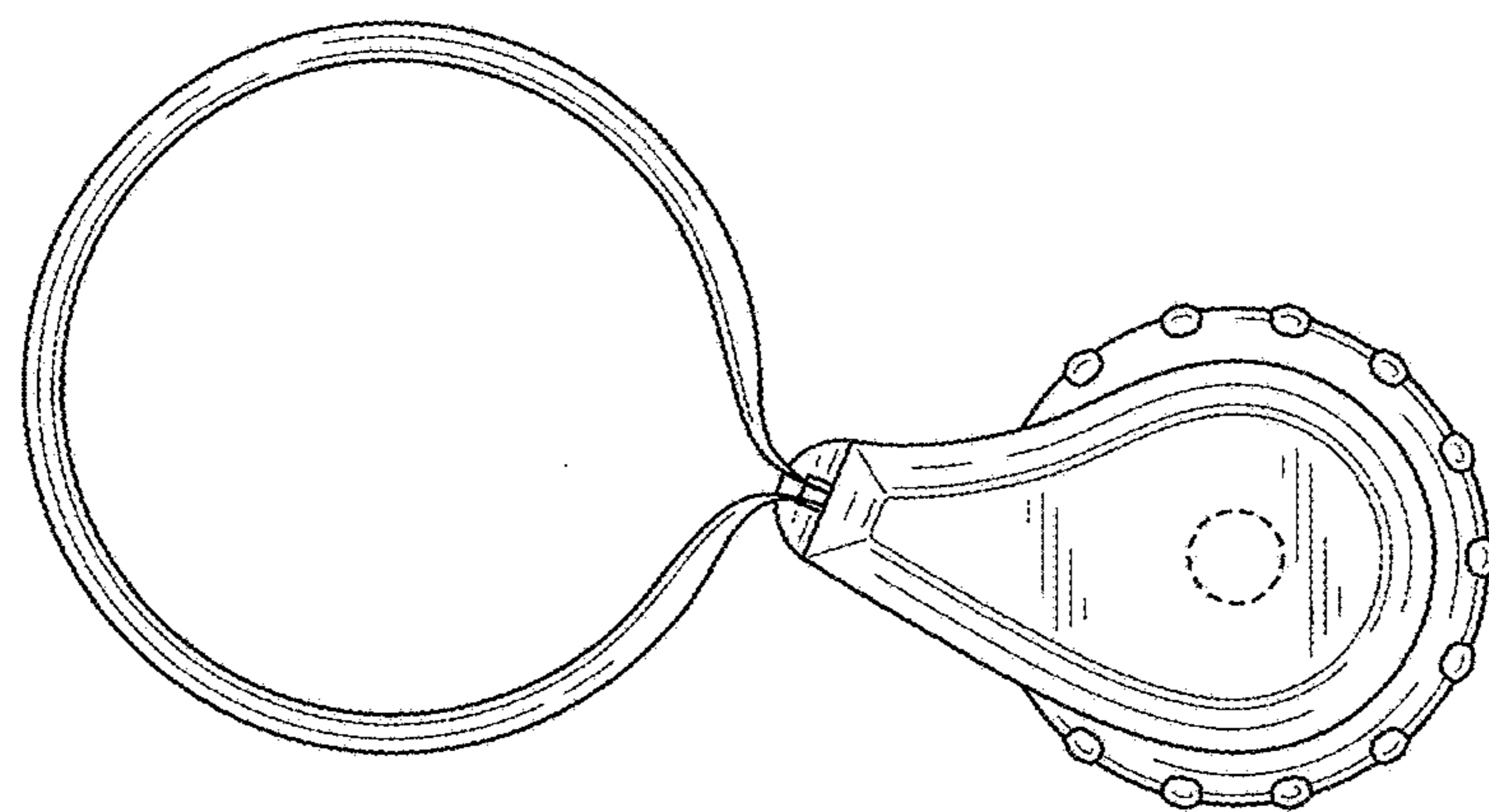


FIG. 7