



US00D792591S

(12) **United States Design Patent** (10) **Patent No.:** **US D792,591 S**  
**De Soto-Burt et al.** (45) **Date of Patent:** **\*\* Jul. 18, 2017**

(54) **APPLICATOR**

(71) Applicant: **The Procter & Gamble Company**,  
Cincinnati, OH (US)

(72) Inventors: **Widalys Luz De Soto-Burt**, Loveland,  
OH (US); **Nanda Christine Almond**,  
Walton, KY (US)

(73) Assignee: **The Procter & Gamble Company**,  
Cincinnati, OH (US)

(\*\*) Term: **15 Years**

(21) Appl. No.: **29/558,660**

(22) Filed: **Mar. 21, 2016**

**Related U.S. Application Data**

(62) Division of application No. 29/486,325, filed on Mar.  
28, 2014, now Pat. No. Des. 755,380.

(51) **LOC (10) Cl.** ..... **24-02**

(52) **U.S. Cl.**  
USPC ..... **D24/141**

(58) **Field of Classification Search**  
USPC ..... D24/141  
CPC ..... A61F 13/26; A61F 13/20; A61F 13/34;  
A61F 13/2077; A61F 13/2085; A61F  
13/266; A61F 13/2051; Y10S 604/904  
See application file for complete search history.

(56) **References Cited**

**U.S. PATENT DOCUMENTS**

4,921,474 A 5/1990 Suzuki et al.  
D415,565 S 10/1999 Hayes et al.  
D620,592 S 7/2010 VanDenBogart et al.  
D755,380 S 5/2016 De Soto-Burt et al.

D756,518 S \* 5/2016 Bischoff ..... D24/141  
2012/0101424 A1 \* 4/2012 Watanabe ..... A61F 13/266  
604/18  
2015/0223993 A1 \* 8/2015 Ito ..... A61F 13/266  
604/15

**FOREIGN PATENT DOCUMENTS**

WO WO2014041807 A1 3/2014

**OTHER PUBLICATIONS**

U.S. Appl. No. 29/486,323, filed Mar. 28, 2014, Thompson, et al.  
U.S. Appl. No. 29/486,322, filed Mar. 28, 2014, Stephens.

\* cited by examiner

*Primary Examiner* — Wan Laymon

(74) *Attorney, Agent, or Firm* — George H. Leal

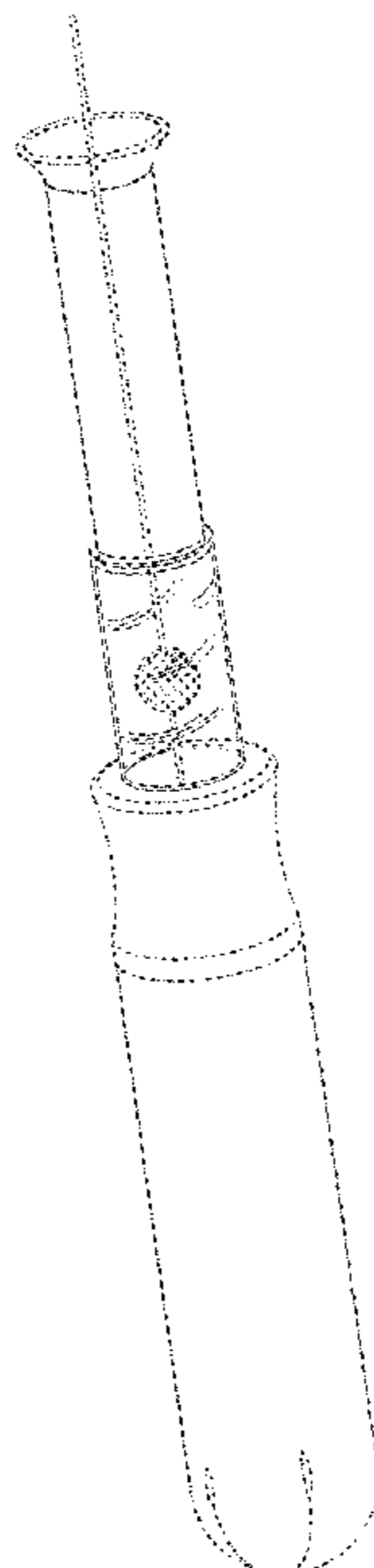
(57) **CLAIM**

The ornamental design for an applicator, as shown and  
described.

**DESCRIPTION**

FIG. 1 is an enlarged perspective view of an embodiment of  
an applicator embodying the new design.  
FIG. 2 is a front view of the design shown in FIG. 1;  
FIG. 3 is a right side view of the design shown in FIG. 1;  
FIG. 4 is a back view of the design shown in FIG. 1;  
FIG. 5 is a left side view of the design shown in FIG. 1;  
FIG. 6 is a top view of the design shown in FIG. 1; and,  
FIG. 7 is a bottom view of the design shown in FIG. 1.  
These figures are lined for transparency and comprise stip-  
pling to claim a feature inside a transparent housing.  
Broken lines shown in the figures described above form the  
bounds of the claimed design but do not form part of the  
claimed design.

**1 Claim, 2 Drawing Sheets**



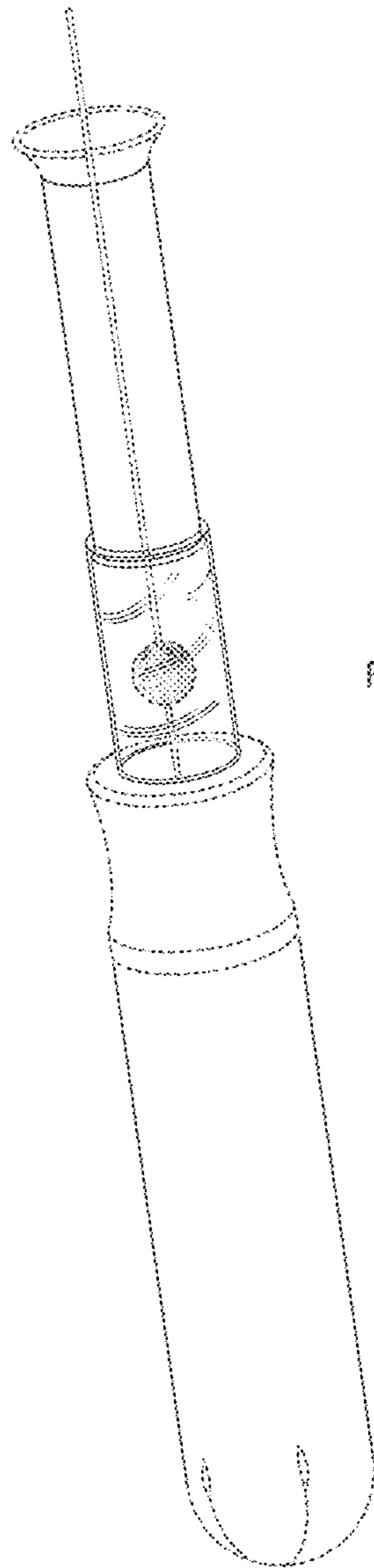


Figure 1

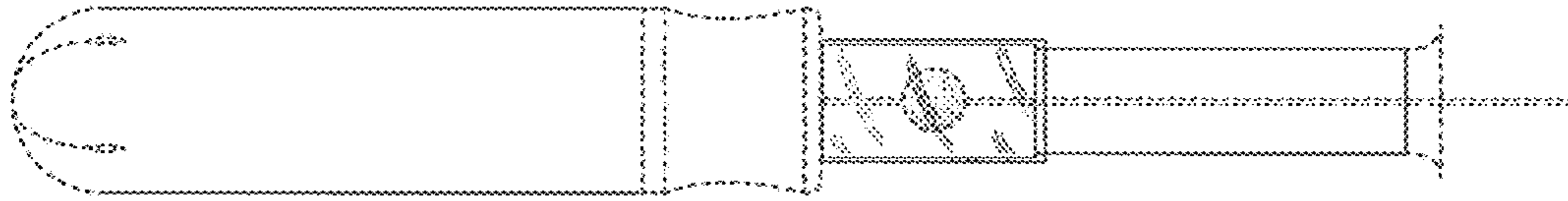


Figure 2

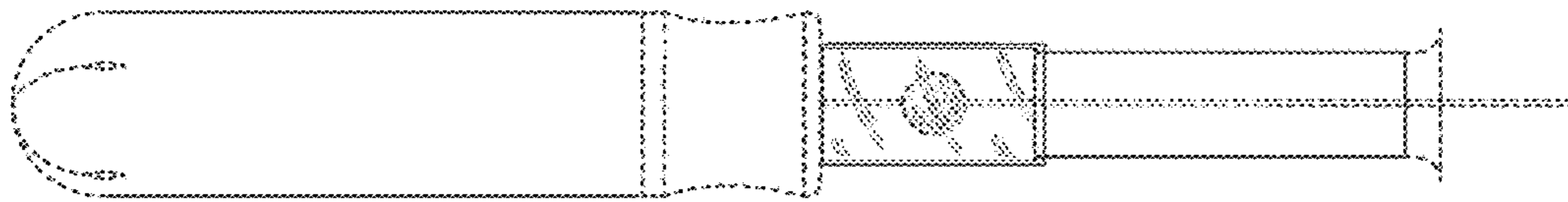


Figure 3

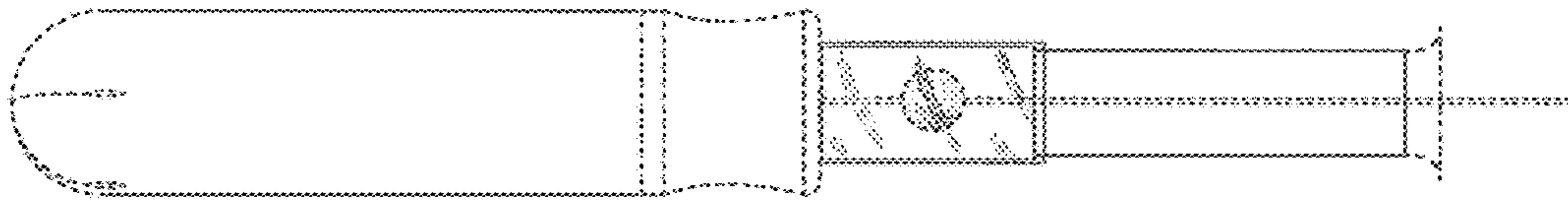


Figure 4

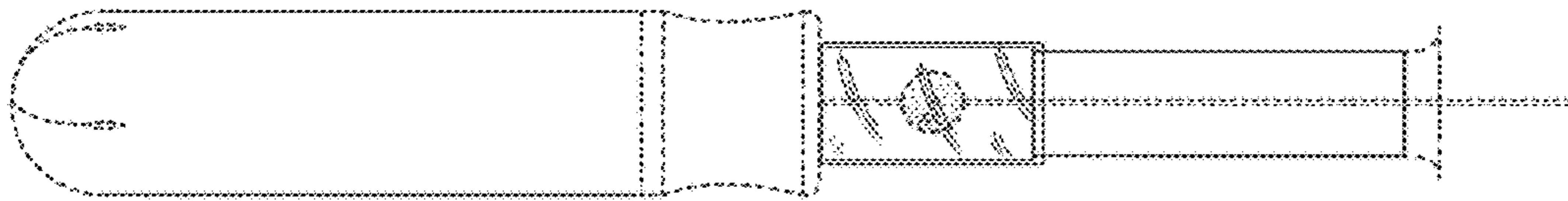


Figure 5

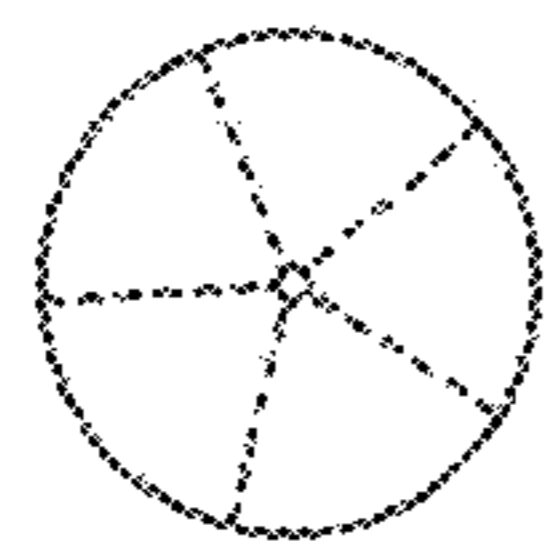


Figure 6

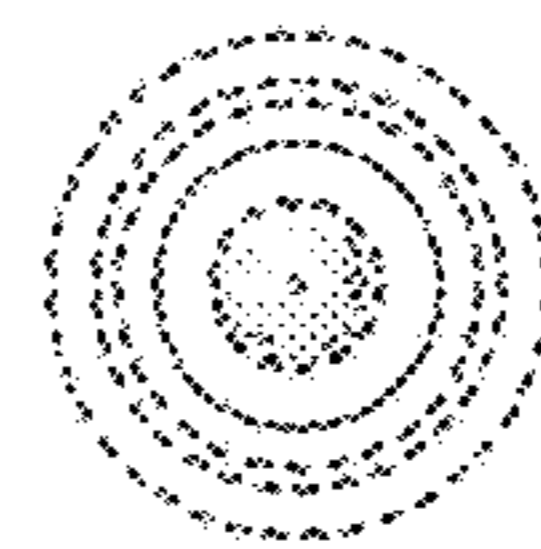


Figure 7