



US00D792589S

(12) **United States Design Patent** (10) **Patent No.:** **US D792,589 S**  
**Alexander et al.** (45) **Date of Patent:** **\*\* Jul. 18, 2017**

(54) **NASAL DILATOR**

(71) Applicants: **Ian J. Alexander**, Los Alamos, NM (US); **Brian D Owens**, Plano, TX (US)

(72) Inventors: **Ian J. Alexander**, Los Alamos, NM (US); **Brian D Owens**, Plano, TX (US)

(73) Assignee: **SIMPLICITY, LLC**, Springville, UT (US)

(\*\*) Term: **15 Years**

(21) Appl. No.: **29/554,047**

(22) Filed: **Feb. 8, 2016**

**Related U.S. Application Data**

(62) Division of application No. 29/496,118, filed on Jul. 9, 2014, now Pat. No. Des. 772,408.

(51) **LOC (10) Cl.** ..... **24-02**

(52) **U.S. Cl.**  
USPC ..... **D24/135**

(58) **Field of Classification Search**  
USPC ..... D24/135, 112, 130, 133, 140, 147, 149  
(Continued)

(56) **References Cited**

**U.S. PATENT DOCUMENTS**

D238,173 S \* 12/1975 Felt ..... D24/149  
D379,227 S 5/1997 Rosen  
(Continued)

**FOREIGN PATENT DOCUMENTS**

CN 202179770 U 4/2012  
CN 102526868 B 12/2013  
(Continued)

**OTHER PUBLICATIONS**

CN 102526868, Xiuxang Song—English Translation Jul. 4, 2012.  
CN202179770, Yongsheng Tian—English Translation Apr. 4, 2012.

*Primary Examiner* — Wan Laymon

*Assistant Examiner* — Mark Booker

(74) *Attorney, Agent, or Firm* — Goodhue, Coleman & Owens, P.C.

(57) **CLAIM**

The ornamental design for a nasal dilator, as shown and described.

**DESCRIPTION**

FIG. 1 is a perspective view of a nasal dilator showing another one of our new designs;

FIG. 2 is an enlarged view of the left side of the nasal dilator shown in FIG. 1 taken along line 2;

FIG. 3 is an enlarged view of the right side of the nasal dilator shown in FIG. 1 taken along line 3;

FIG. 4 is a front view of the nasal dilator shown in FIG. 1;

FIG. 5 is an enlarged view of the left side of the nasal dilator shown in FIG. 4 taken along line 5;

FIG. 6 is an enlarged view of the right side of the nasal dilator shown in FIG. 4 taken along line 6;

FIG. 7 is an enlarged end view of the right side of the nasal dilator shown in FIG. 1;

FIG. 8 is an enlarged end view of the left side of the nasal dilator shown in FIG. 1;

FIG. 9 is a perspective view of a nasal dilator showing another one of our new designs;

FIG. 10 is an enlarged view of the left side of the nasal dilator shown in FIG. 9 taken along line 10;

FIG. 11 is an enlarged view of the right side of the nasal dilator shown in FIG. 9 taken along line 11;

FIG. 12 is a front view of the nasal dilator shown in FIG. 9;

FIG. 13 is an enlarged view of the left side of the nasal dilator shown in FIG. 12 taken along line 13;

FIG. 14 is an enlarged view of the right side of the nasal dilator shown in FIG. 12 taken along line 14;

FIG. 15 is an enlarged end view of the right side of the nasal dilator shown in FIG. 9;

FIG. 16 is an enlarged end view of the left side of the nasal dilator shown in FIG. 9;

FIG. 17 is a perspective view of a nasal dilator showing another one of our new designs;

(Continued)

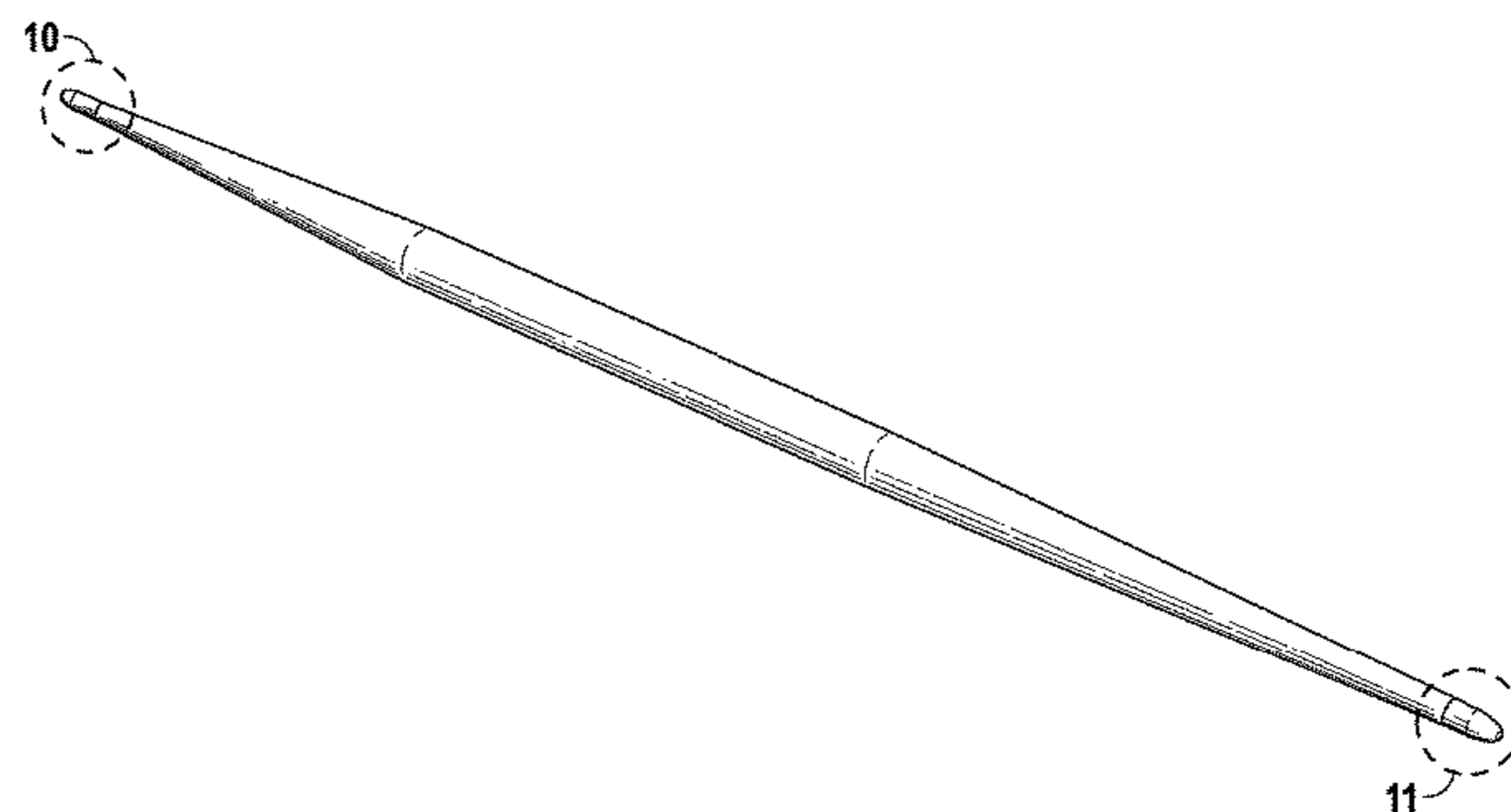
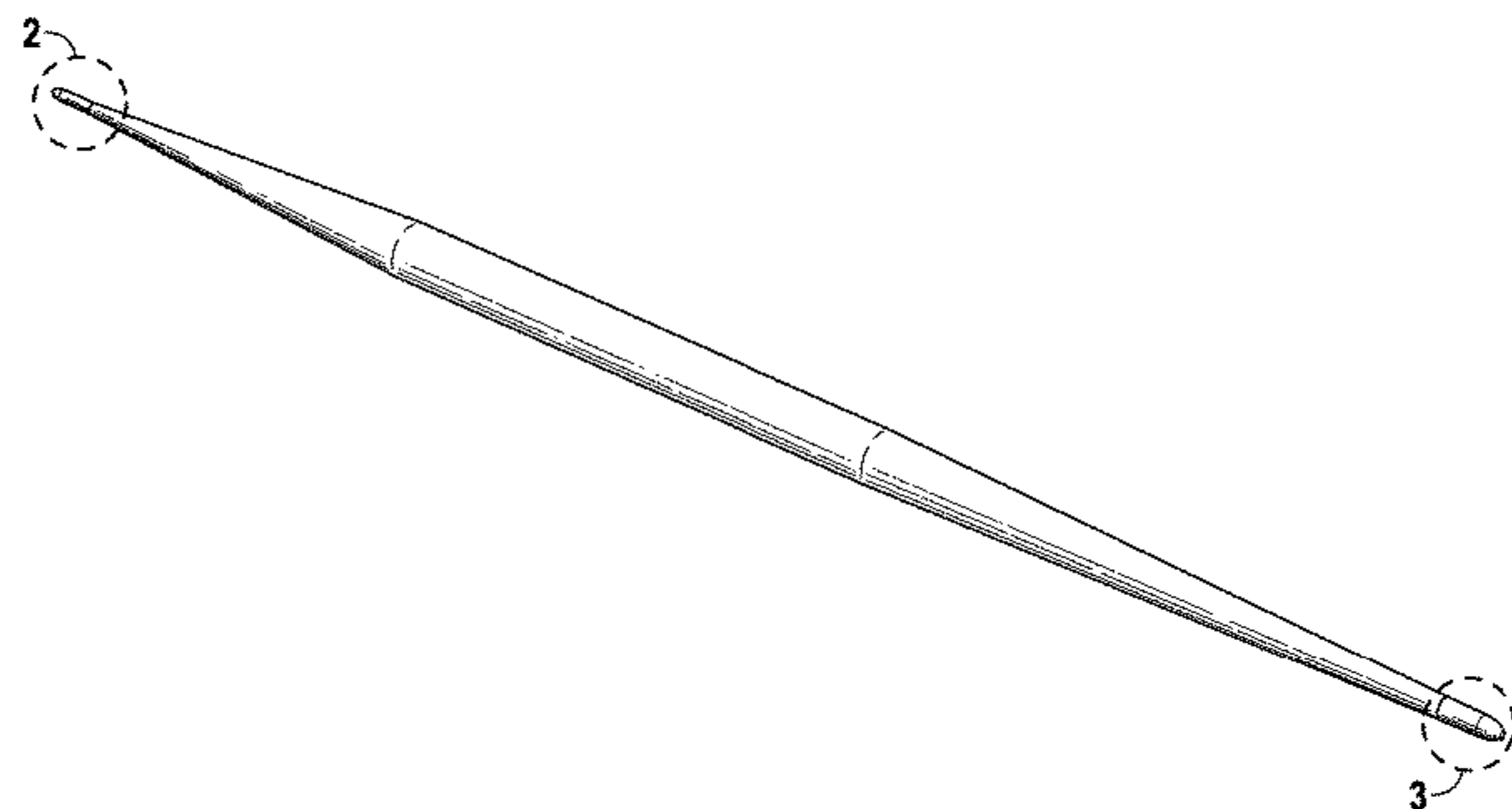


FIG. 18 is an enlarged view of the left side of the nasal dilator shown in FIG. 17 taken along line 18;  
 FIG. 19 is an enlarged view of the right side of the nasal dilator shown in FIG. 17 taken along line 19;  
 FIG. 20 is a front view of the nasal dilator shown in FIG. 17;  
 FIG. 21 is an enlarged view of the left side of the nasal dilator shown in FIG. 20 taken along line 21;  
 FIG. 22 is an enlarged view of the right side of the nasal dilator shown in FIG. 20 taken along line 22;  
 FIG. 23 is an enlarged end view of the right side of the nasal dilator shown in FIG. 17;  
 FIG. 24 is an enlarged end view of the left side of the nasal dilator shown in FIG. 17;  
 FIG. 25 is a cross-sectional view of the left side of the nasal dilator shown in FIG. 18 taken along line 25; and,  
 FIG. 26 is a cross-sectional view of the right side of the nasal dilator shown in FIG. 19 taken along line 26.

**1 Claim, 7 Drawing Sheets**

(58) **Field of Classification Search**

CPC ..... A61F 5/08; A61M 29/00; A61M 29/02;  
 A61B 17/24; A61B 1/233; A61B  
 2018/00327; A61B 5/6819

See application file for complete search history.

(56) **References Cited**

U.S. PATENT DOCUMENTS

D382,342 S 8/1997 Rosen  
 D436,174 S 1/2001 Komamura  
 D438,954 S 3/2001 Orsing  
 D439,979 S 4/2001 Strobel et al.  
 D442,687 S 5/2001 Schulz  
 D453,378 S 2/2002 Mangione

D458,682 S \* 6/2002 Szymaitis ..... D24/152  
 D460,555 S 7/2002 Holbrook  
 D485,358 S 1/2004 Woo  
 D516,722 S 3/2006 Mak  
 D523,142 S \* 6/2006 Stalcup ..... D24/135  
 D531,727 S 11/2006 Mak  
 D586,914 S \* 2/2009 DaSilva ..... D24/135  
 7,771,409 B2 8/2010 Chang et al.  
 D623,741 S 9/2010 Kupferschmid et al.  
 7,803,150 B2 9/2010 Chang et al.  
 D629,896 S 12/2010 Horton  
 D631,962 S 2/2011 Dorman  
 D648,021 S 11/2011 Dorman  
 8,172,828 B2 5/2012 Chang et al.  
 8,182,432 B2 5/2012 Kim et al.  
 D685,466 S \* 7/2013 Moshinsky ..... D24/130  
 8,679,103 B2 3/2014 Krespi  
 8,721,591 B2 5/2014 Chang et al.  
 D772,408 S \* 11/2016 Alexander ..... D24/135  
 2004/0073141 A1 4/2004 Hartley et al.  
 2008/0021283 A1\* 1/2008 Kuranda ..... A61B 17/02  
 600/201  
 2010/0071857 A1 3/2010 Hung  
 2010/0198247 A1 8/2010 Chang et al.  
 2010/0203474 A1 8/2010 Chen  
 2011/0021975 A1 1/2011 Covello  
 2011/0022172 A1 1/2011 Gonzales et al.  
 2012/0053404 A1 3/2012 Schreck et al.  
 2012/0071857 A1 3/2012 Goldfarb et al.  
 2012/0330345 A1 12/2012 Tasca  
 2013/0253567 A1 9/2013 Edgren et al.  
 2013/0274600 A1 10/2013 Jenkins et al.  
 2015/0066071 A1 3/2015 Alexander et al.

FOREIGN PATENT DOCUMENTS

WO 2008036149 A2 3/2008  
 WO 2008134288 A2 11/2008  
 WO 2013130464 A1 9/2013  
 WO 2013155409 A1 10/2013  
 WO 2015035048 A2 3/2015

\* cited by examiner

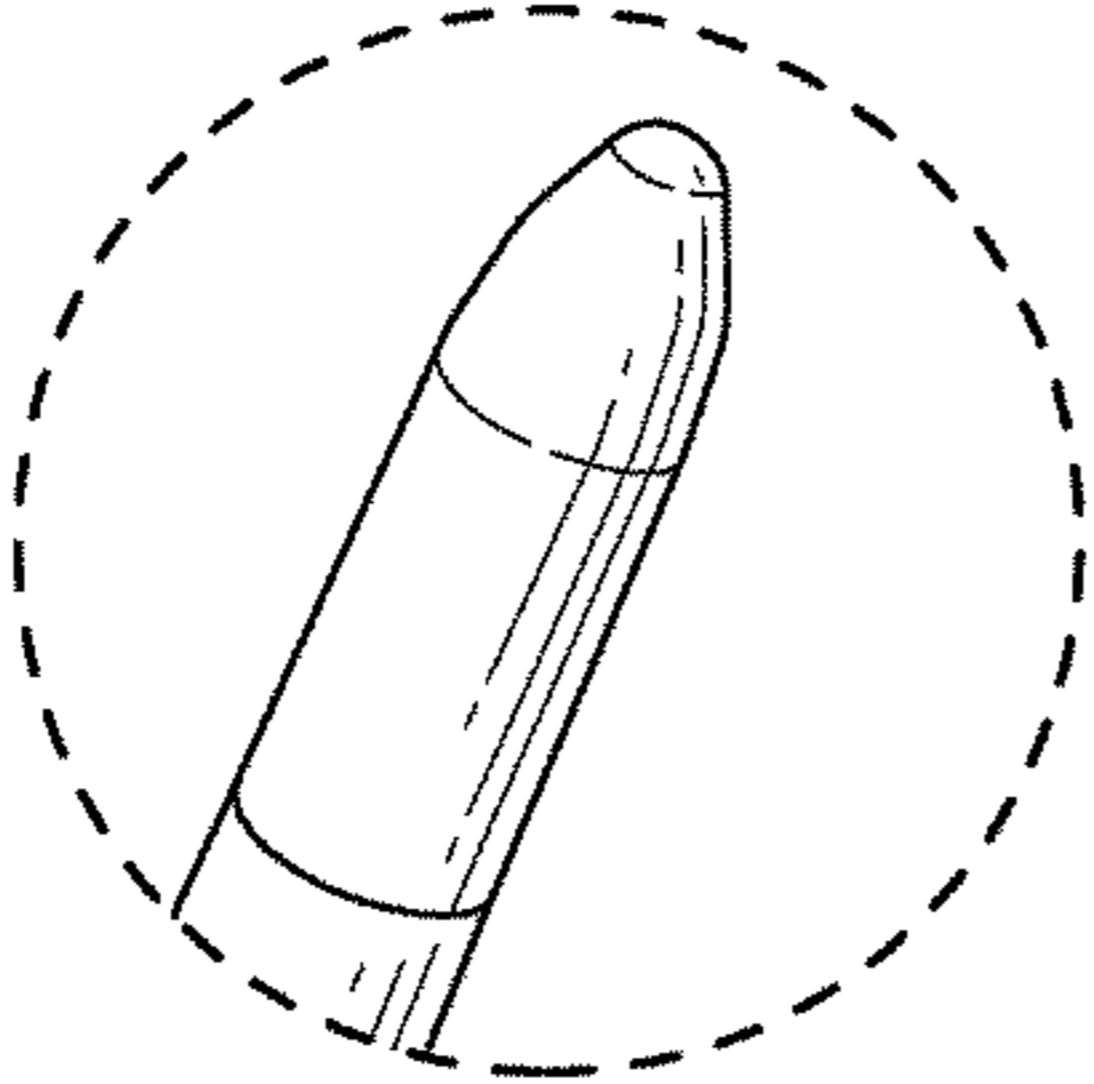


FIG. 3

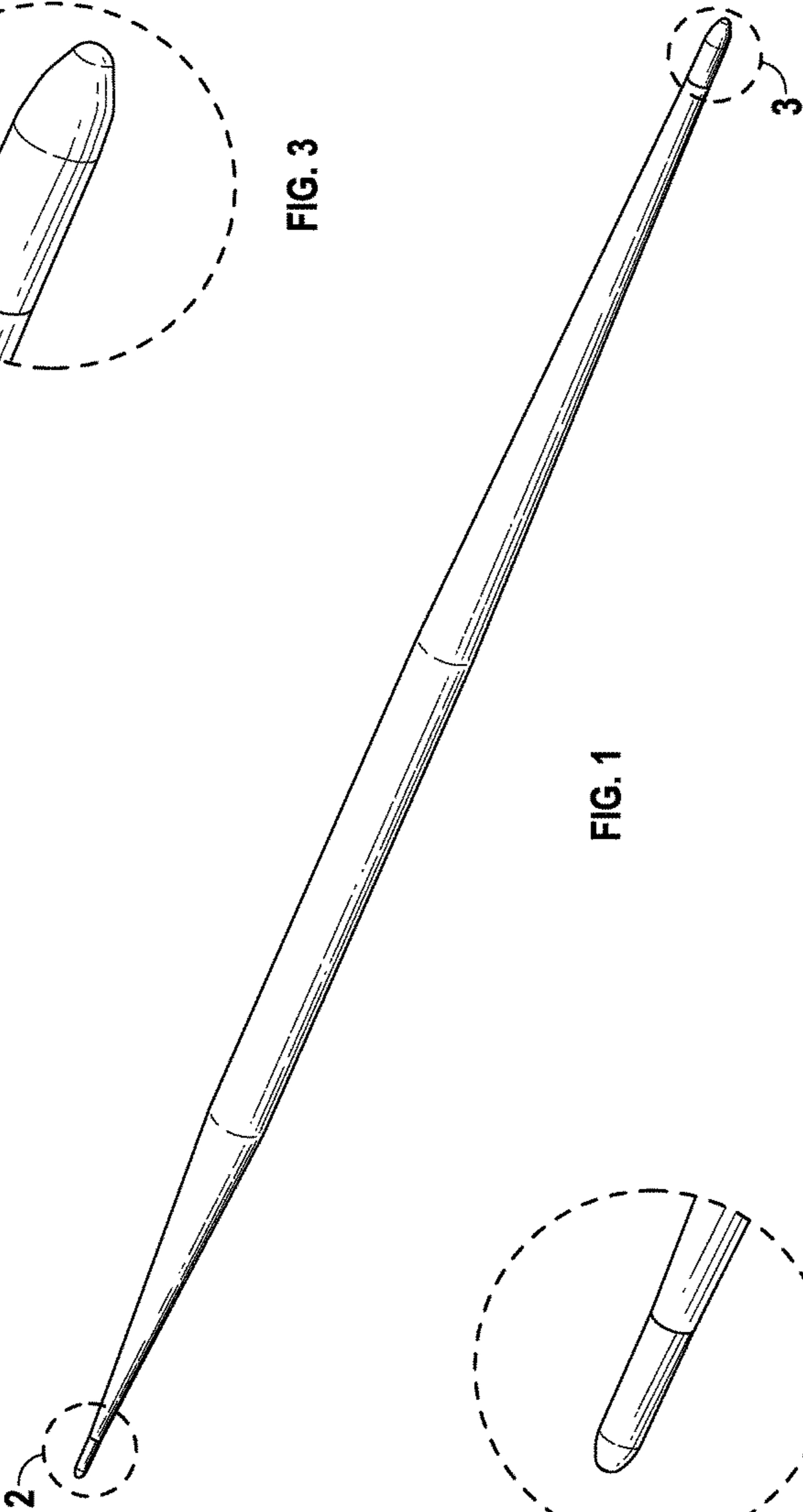


FIG. 1

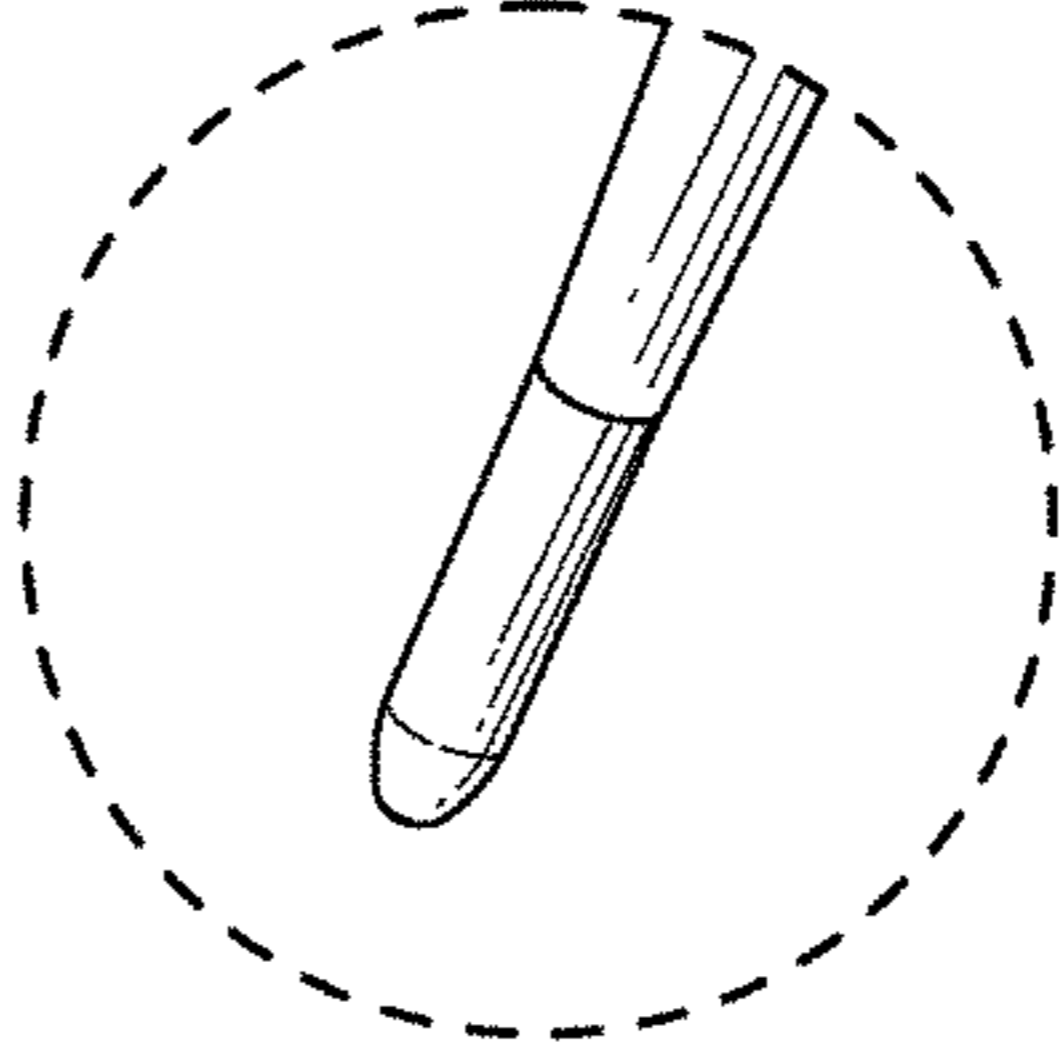


FIG. 2

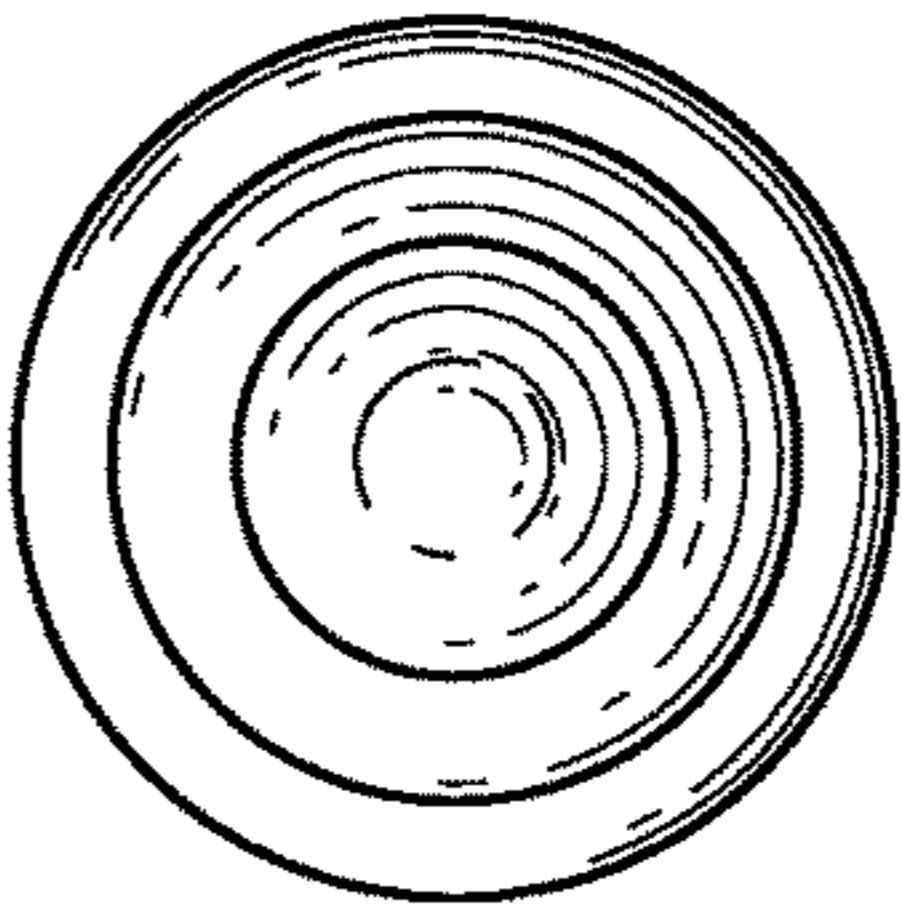
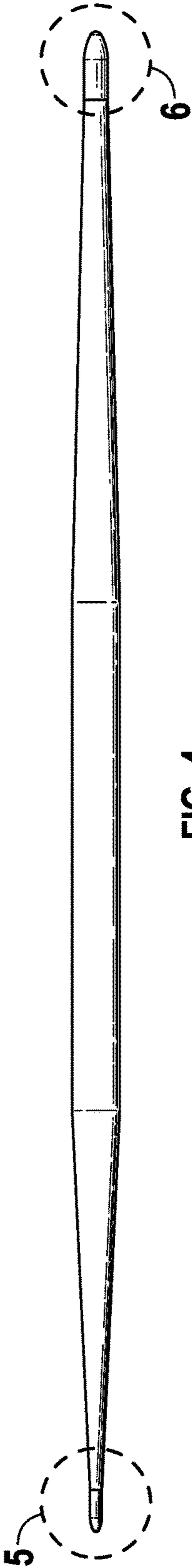


FIG. 7

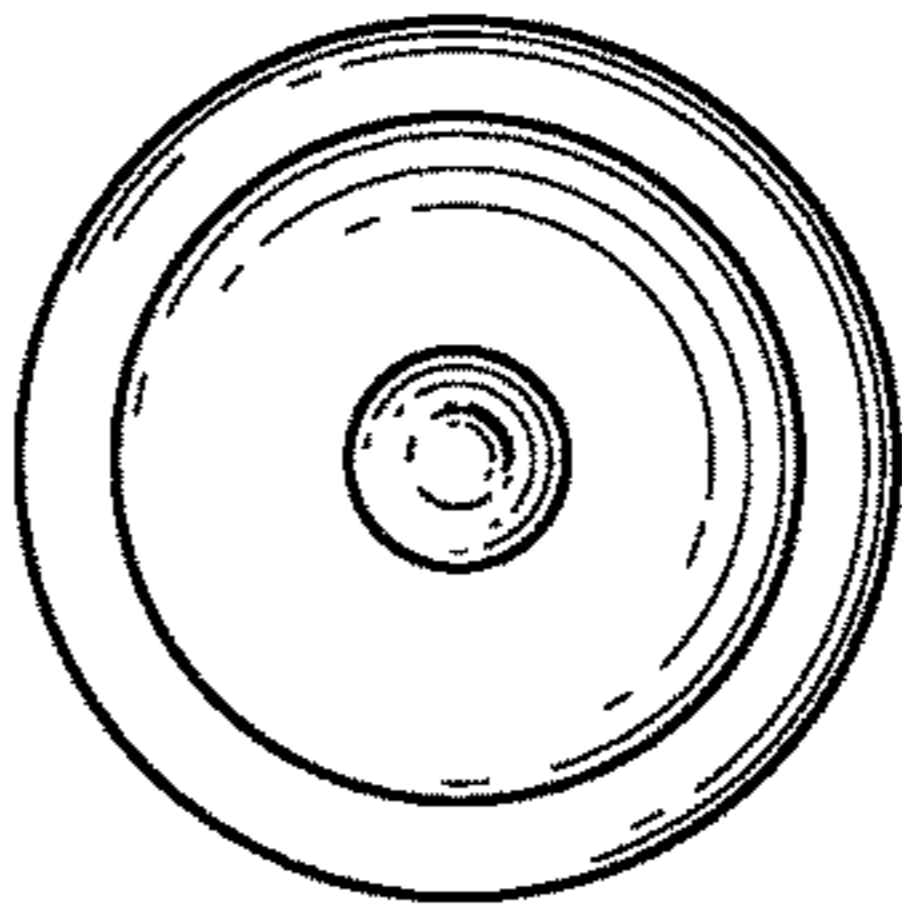


FIG. 8

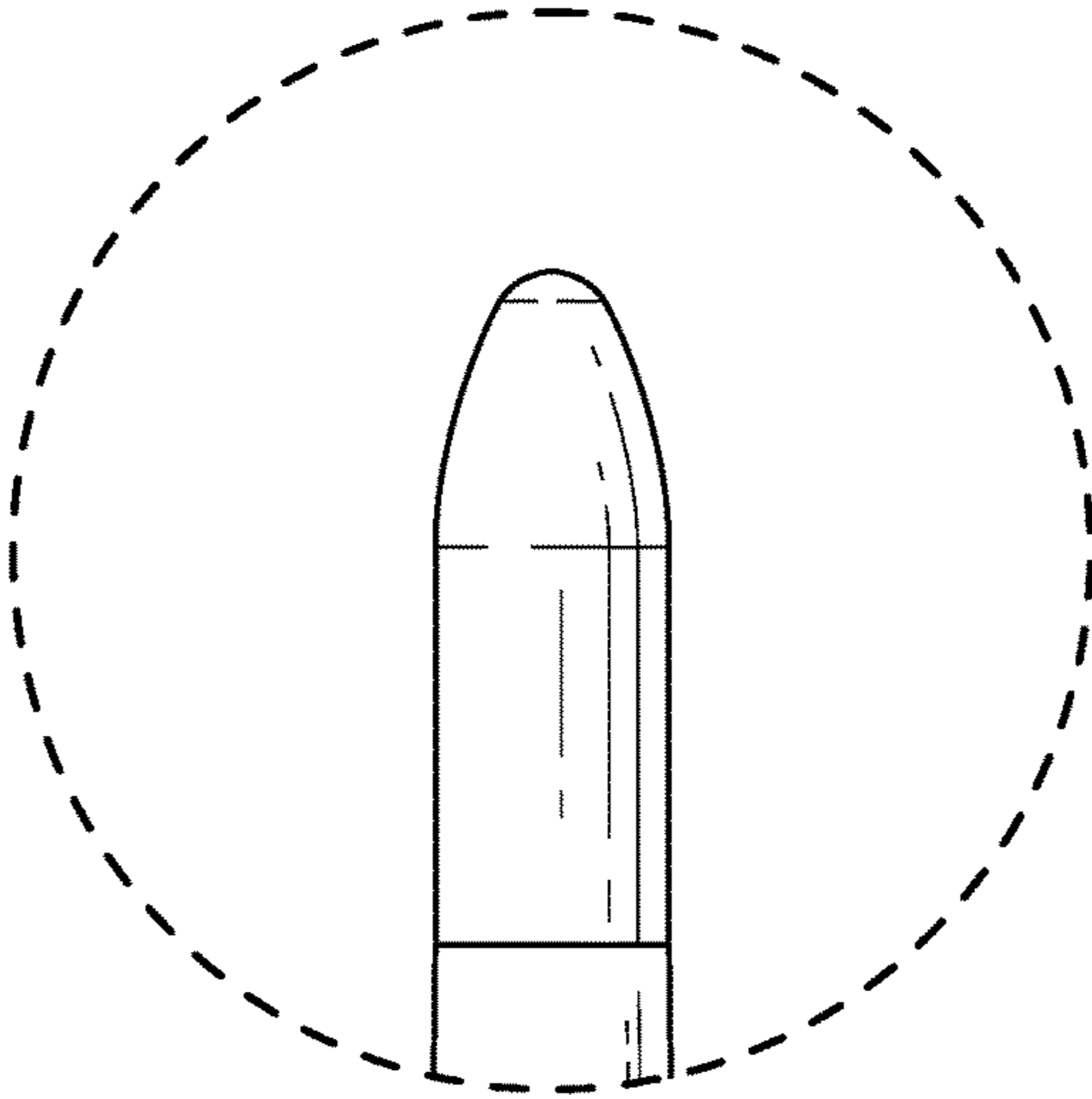


FIG. 6

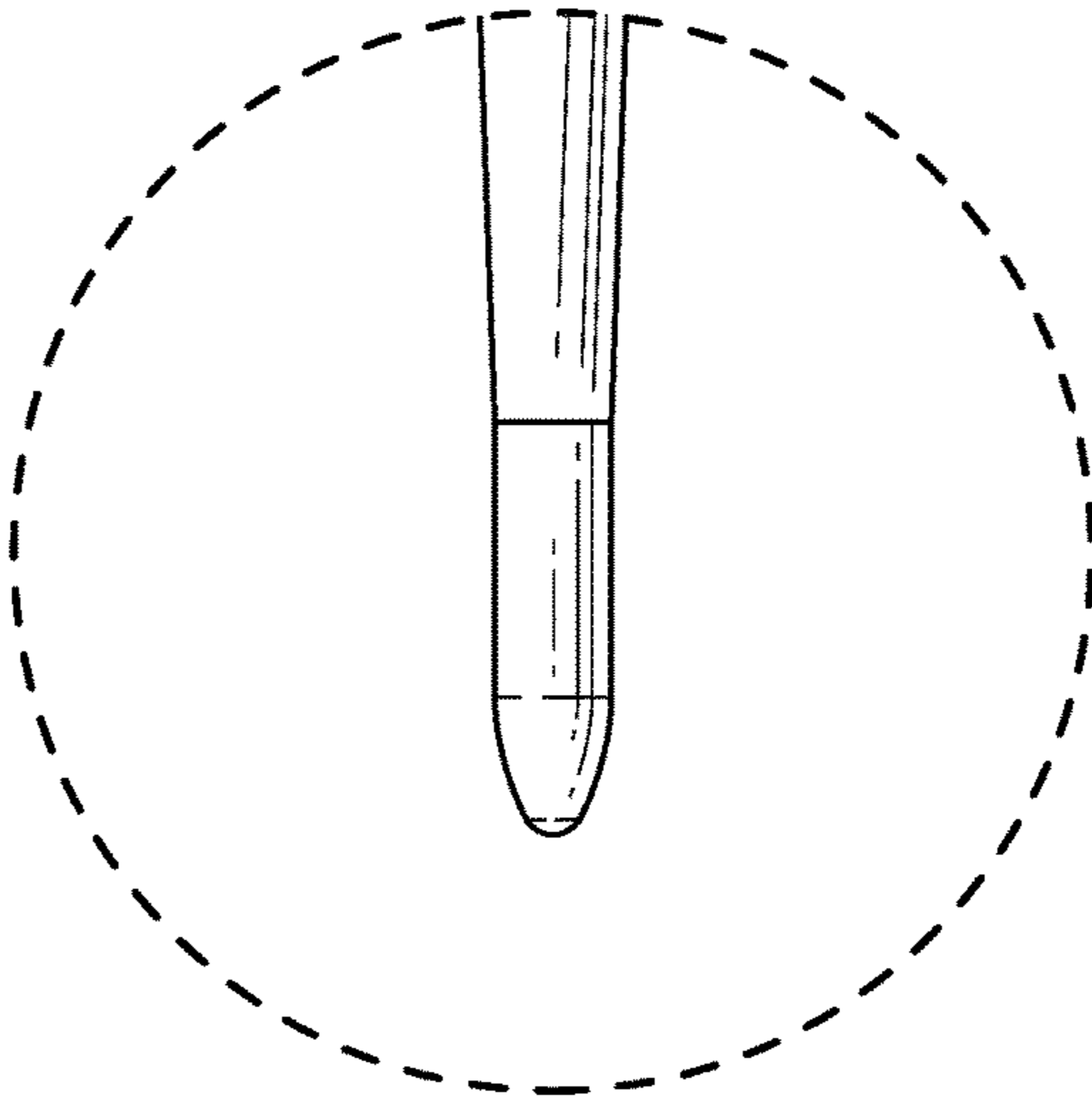


FIG. 5

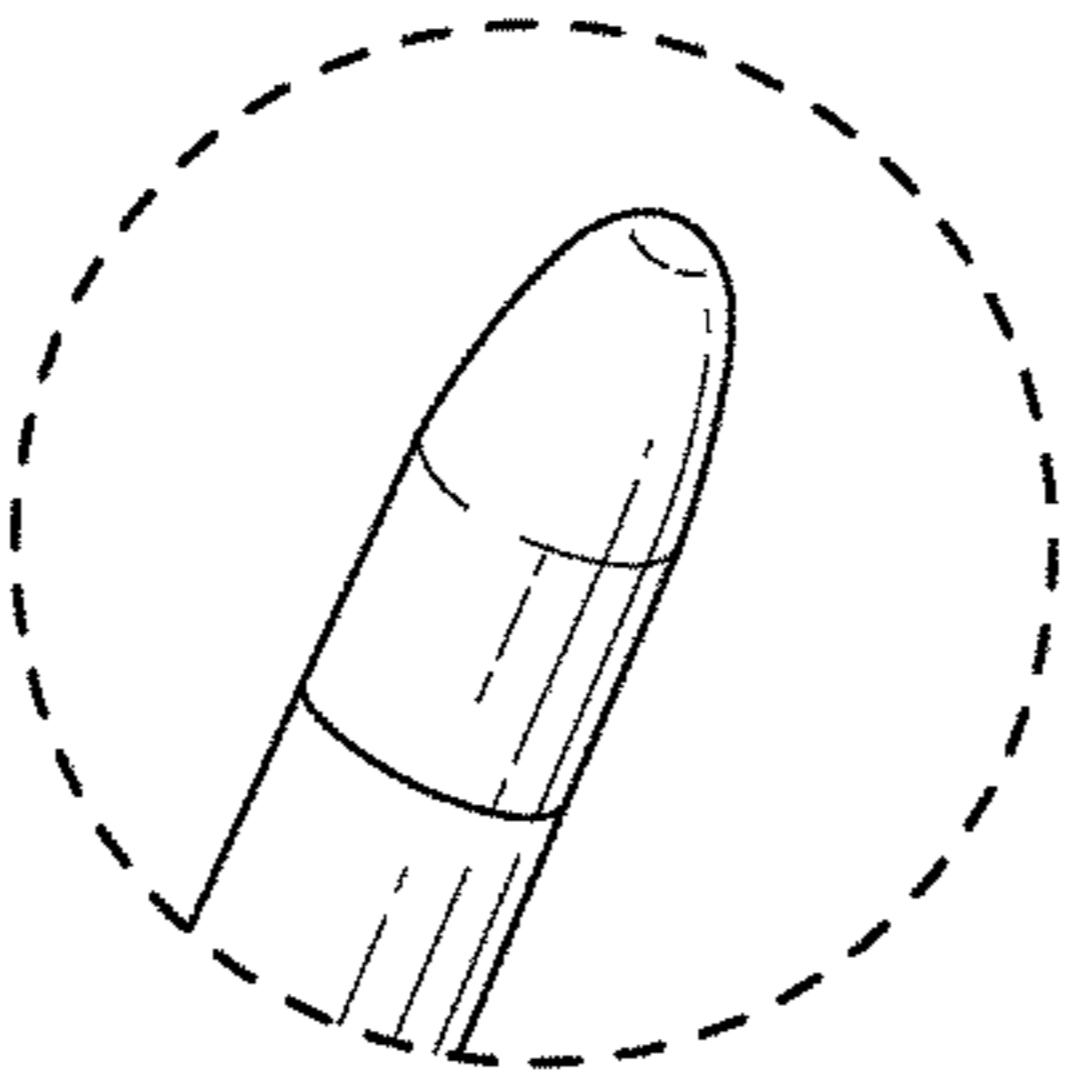


FIG. 11

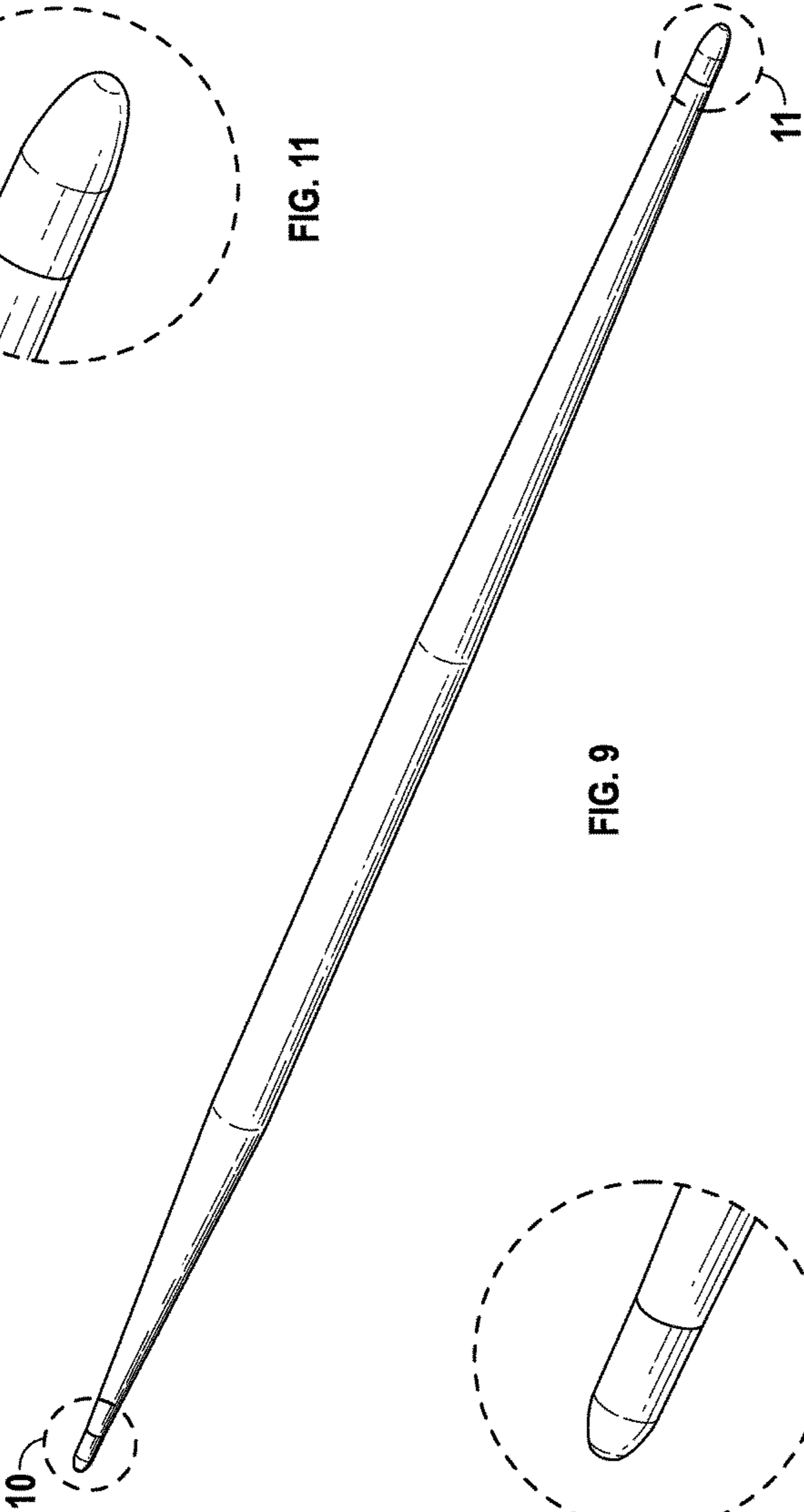


FIG. 9

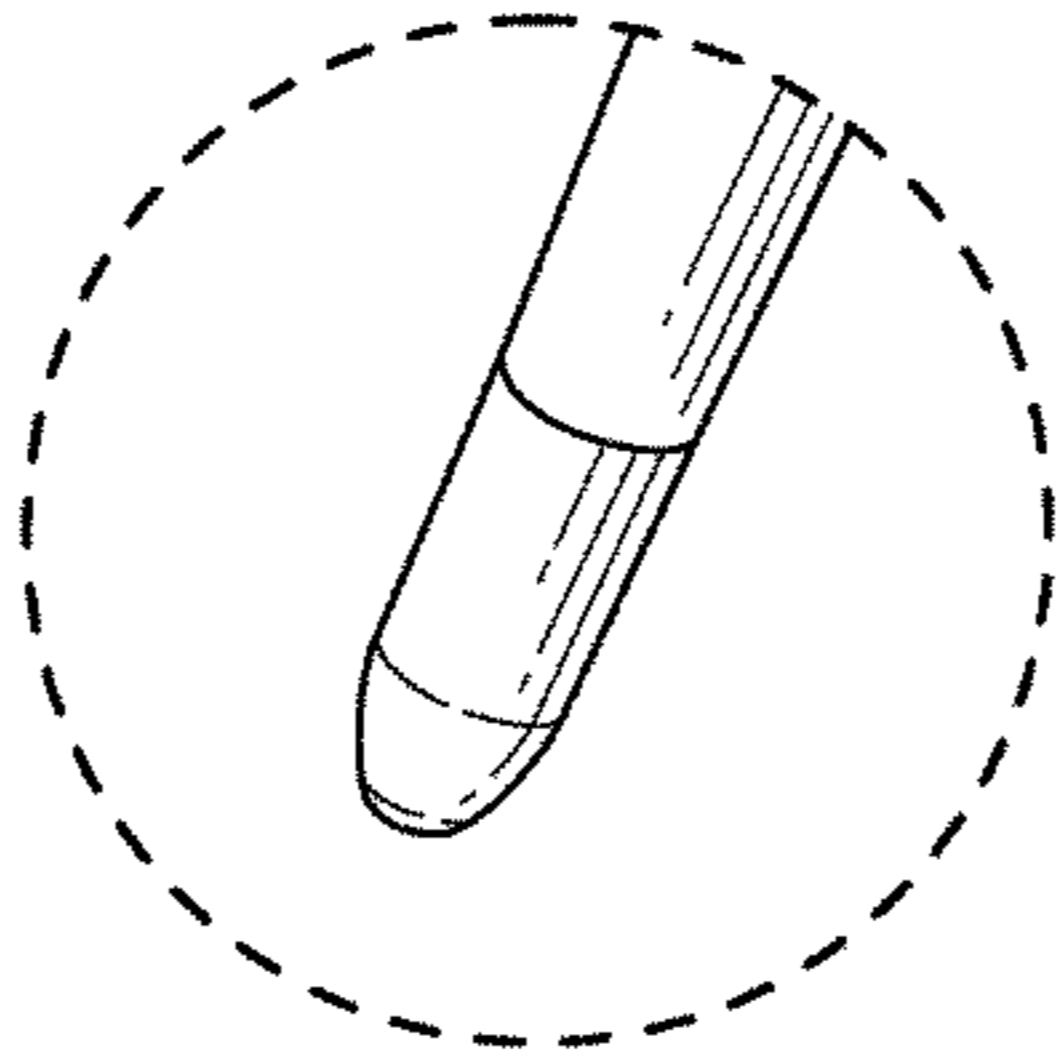


FIG. 10

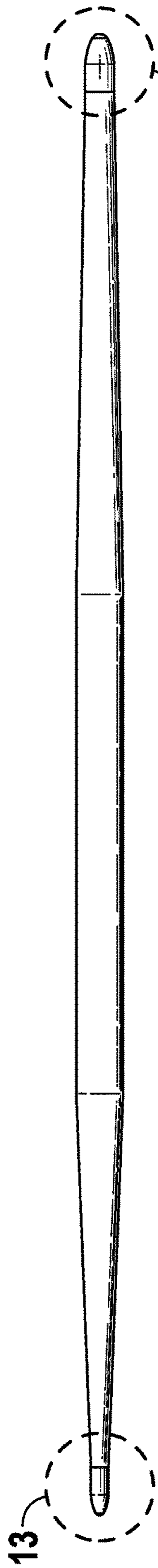


FIG. 12

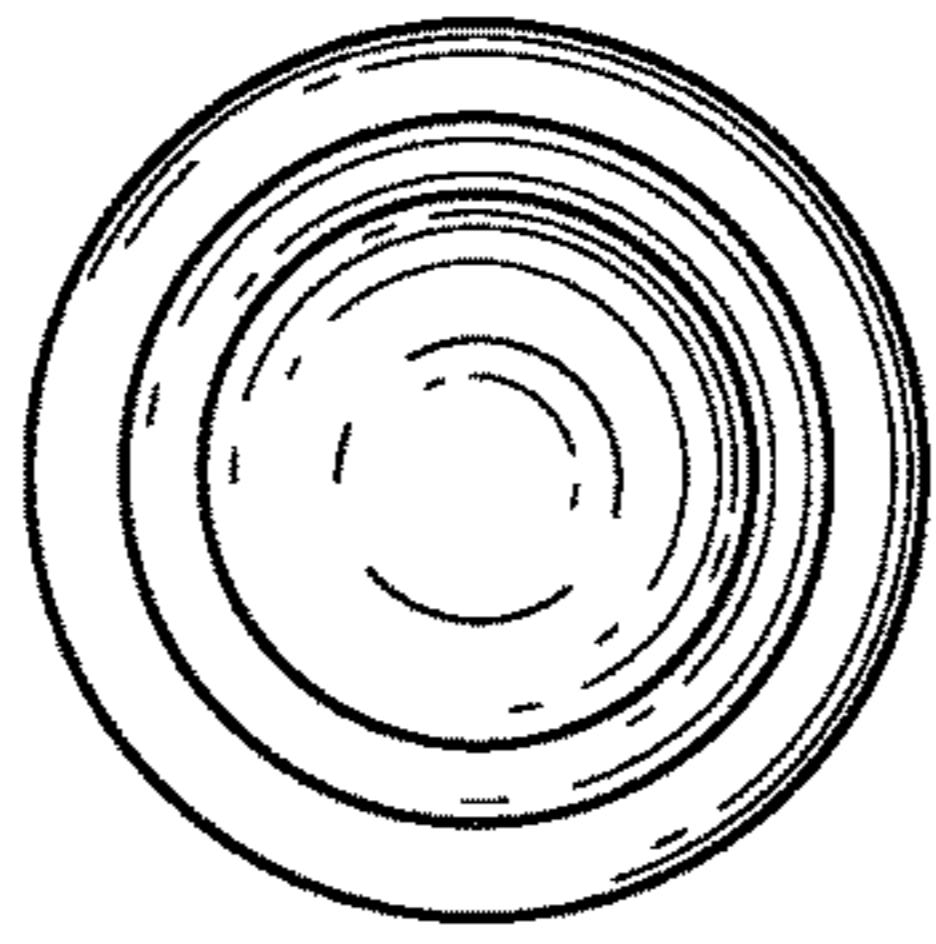


FIG. 15

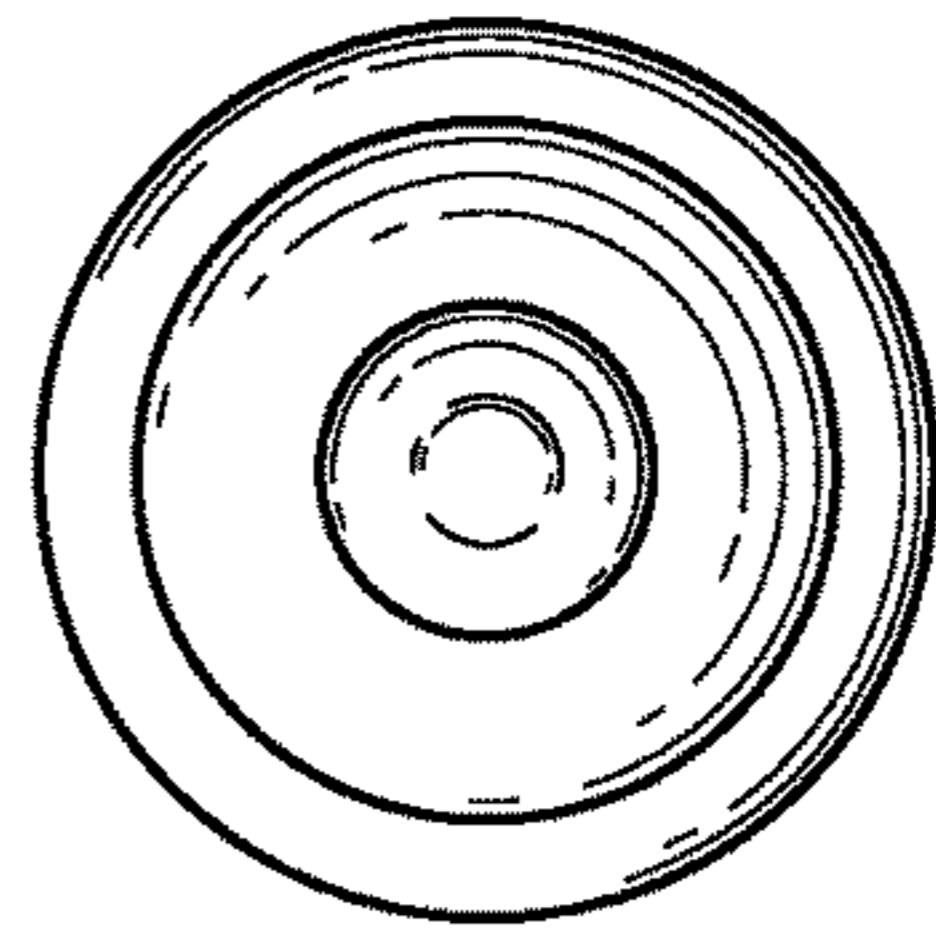


FIG. 16

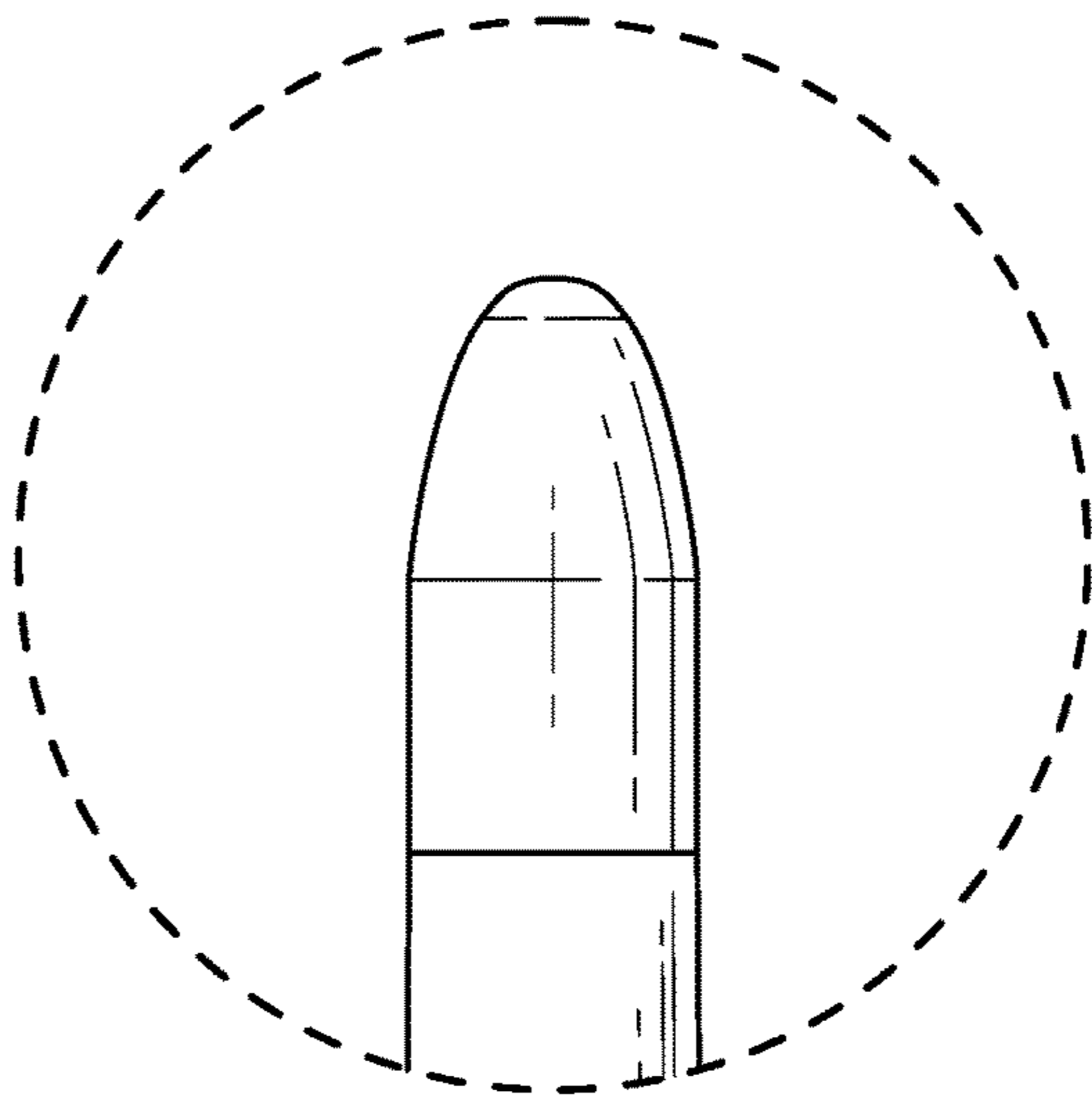


FIG. 14

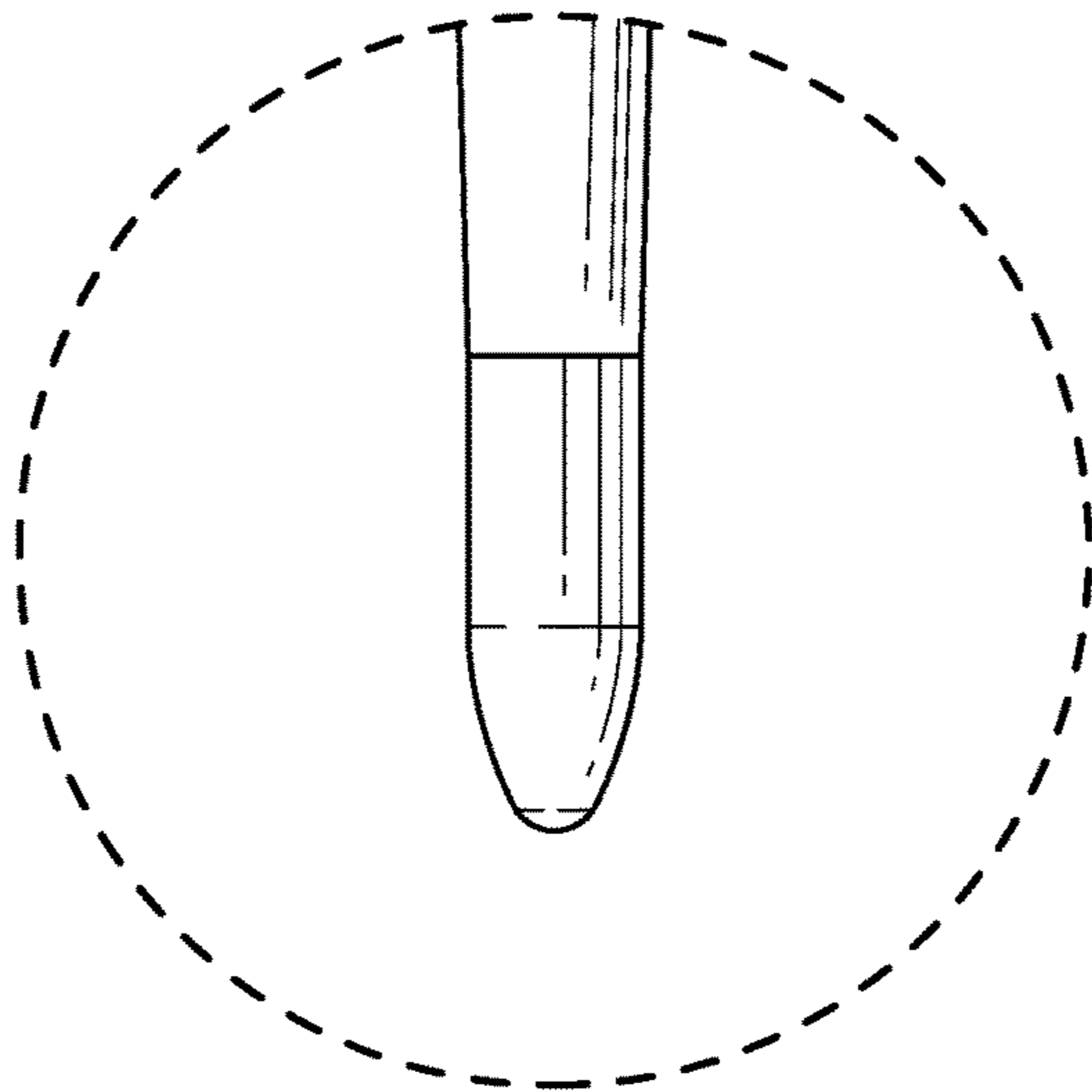
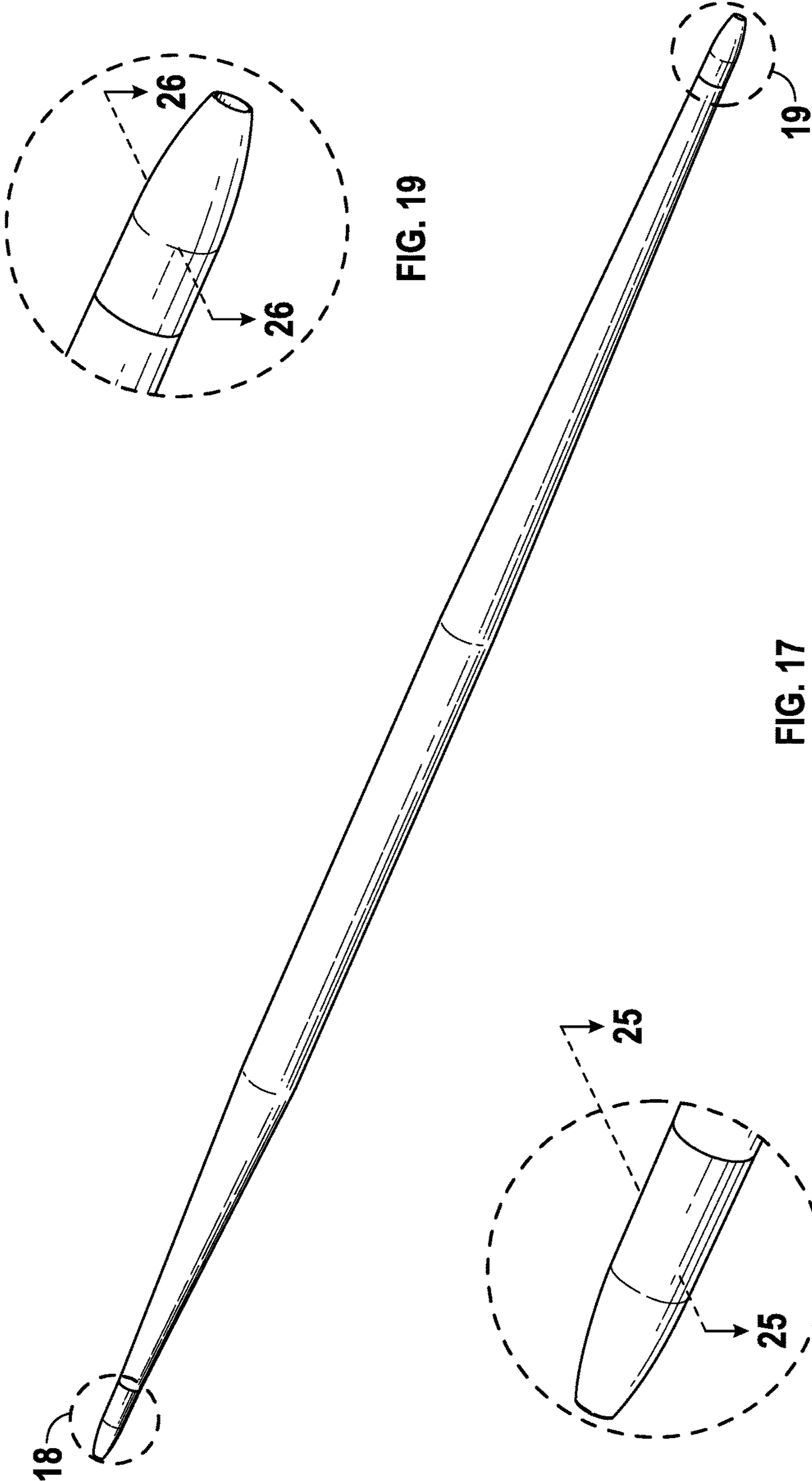


FIG. 13



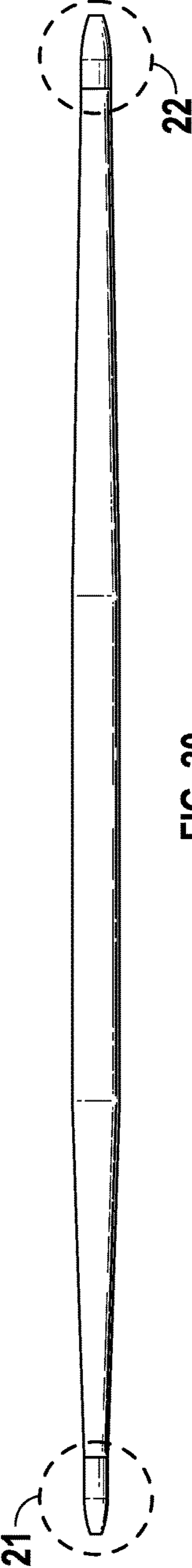


FIG. 20

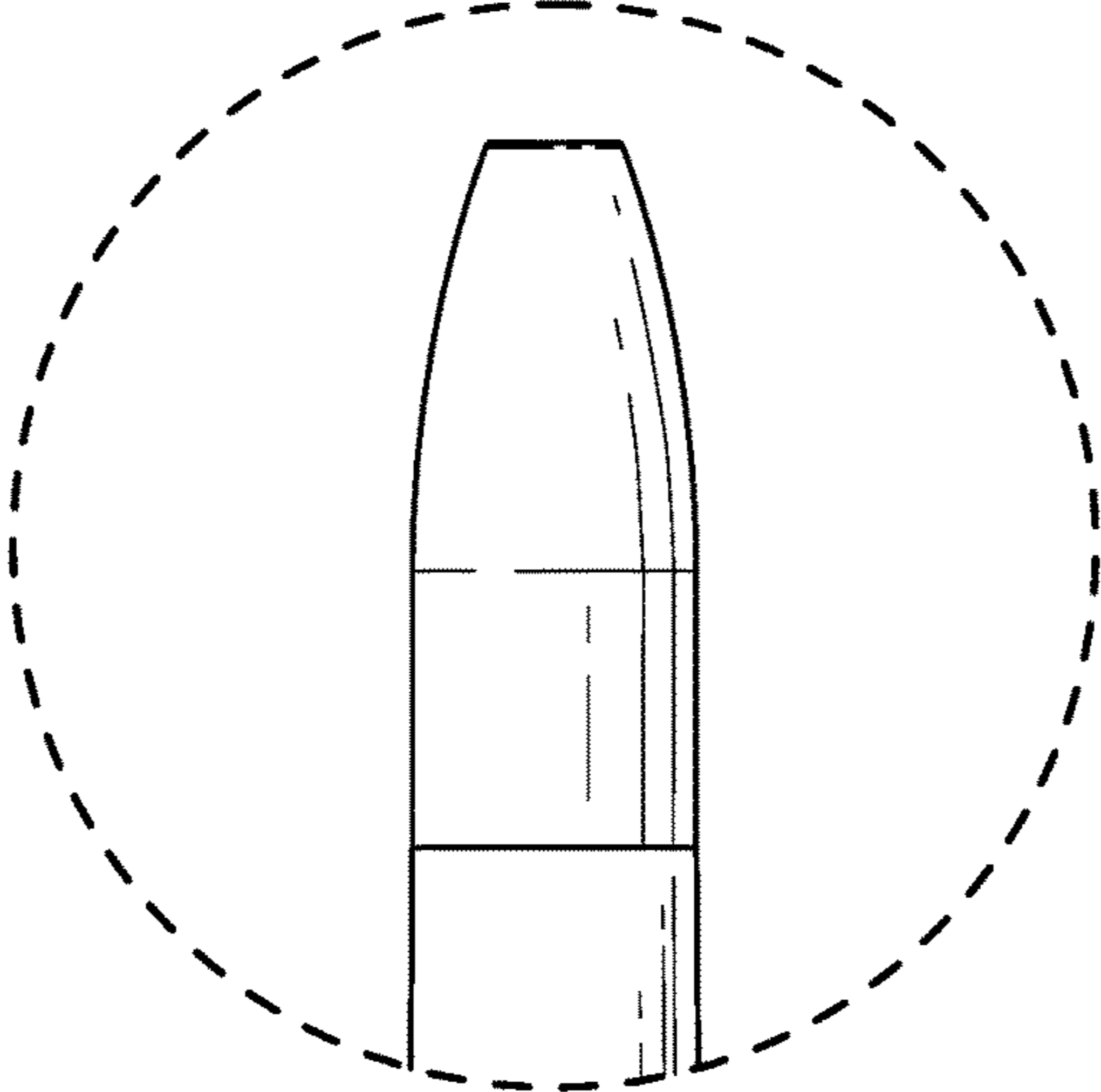


FIG. 22

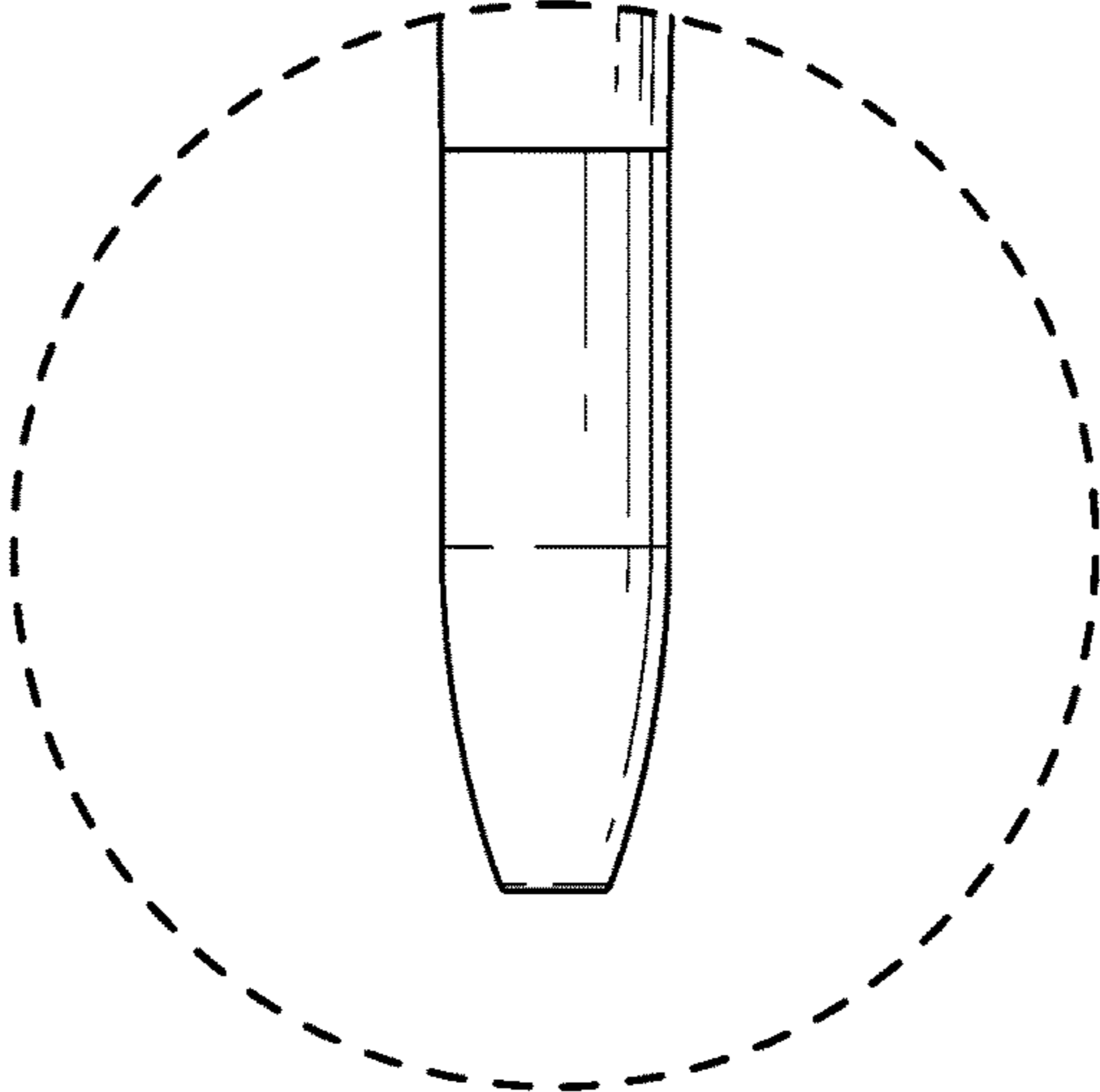


FIG. 21



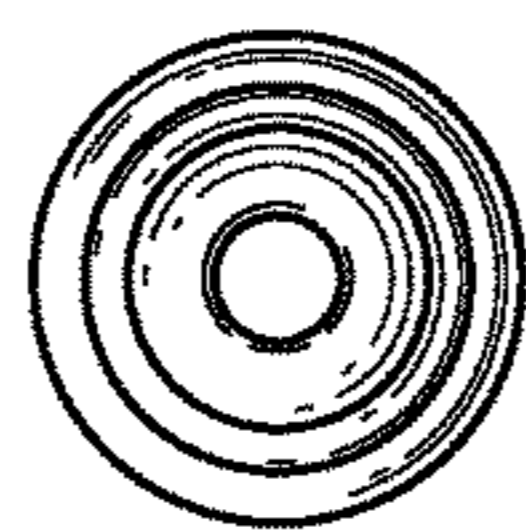


FIG. 23

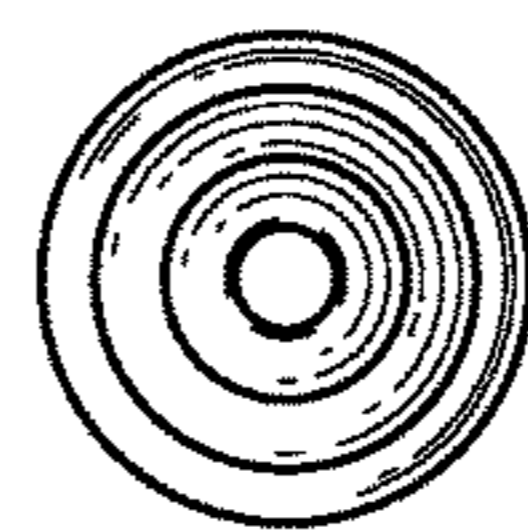


FIG. 24

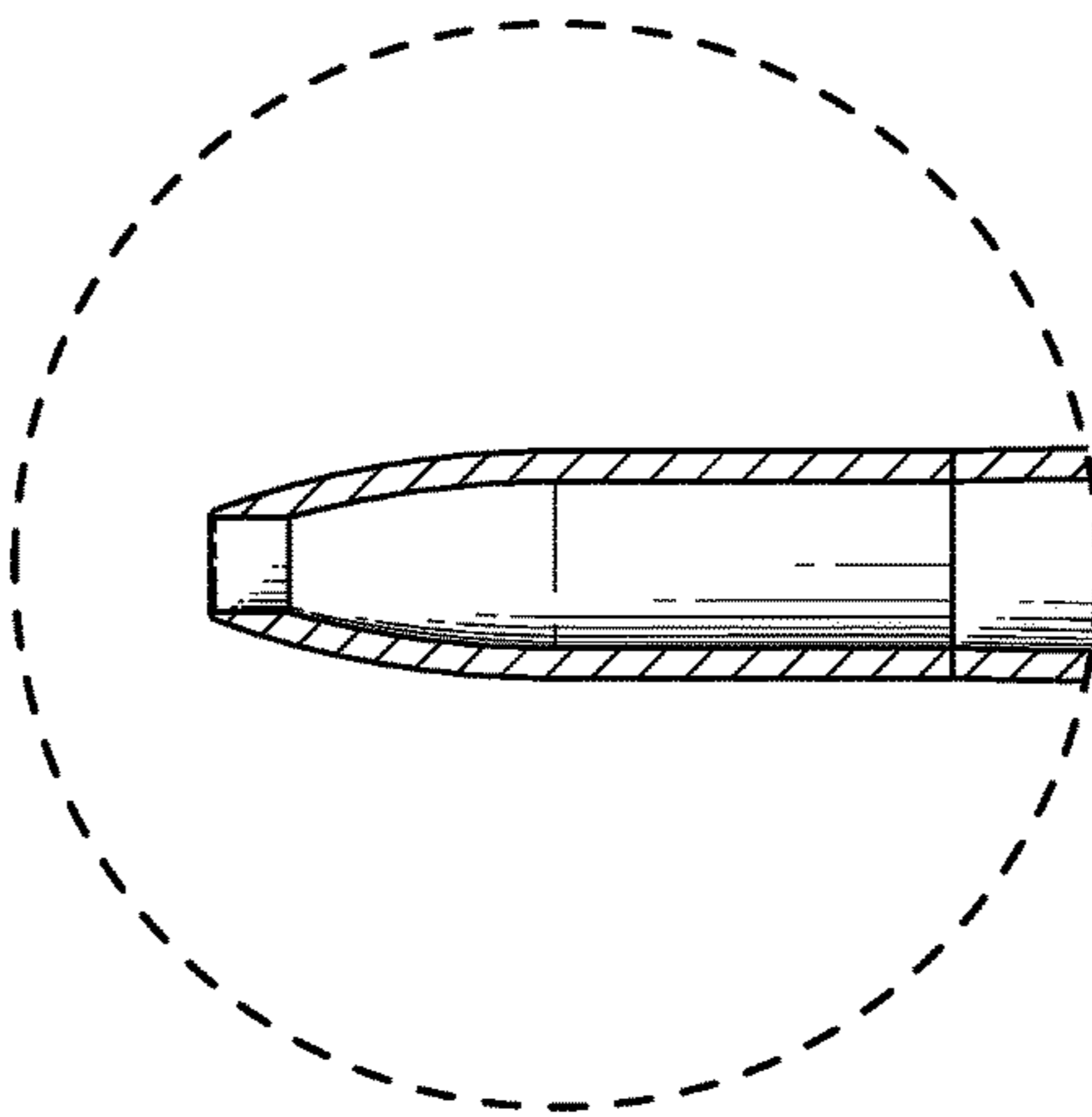


FIG. 25

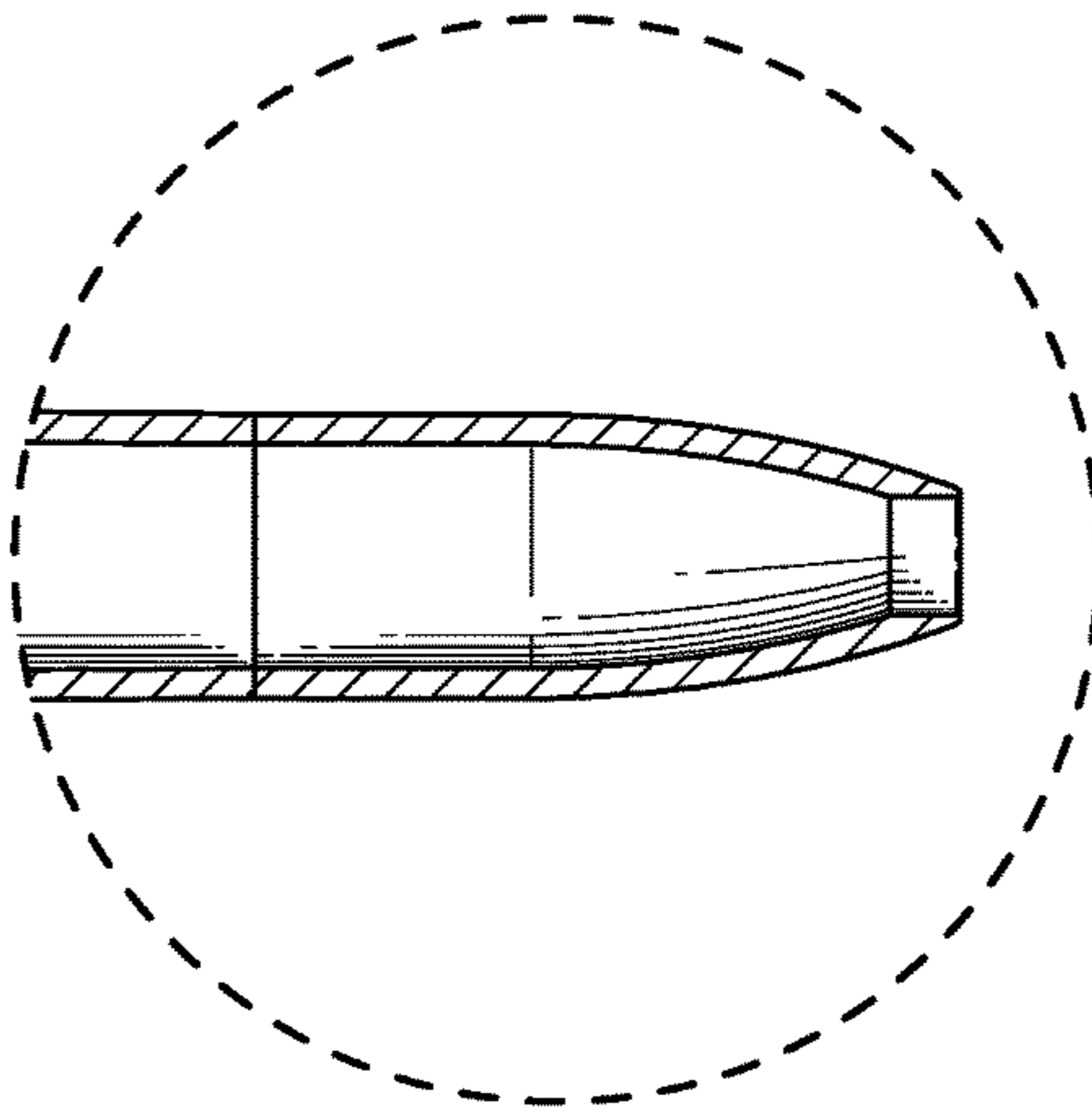


FIG. 26