



US00D792587S

(12) **United States Design Patent**
Owens et al.

(10) **Patent No.:** **US D792,587 S**
(45) **Date of Patent:** **** Jul. 18, 2017**

- (54) **PERSONAL HYGIENE AID PART**
- (71) Applicant: **Juvo Products, LLC**, Barrington, IL (US)
- (72) Inventors: **G. Parkinson Owens**, North Barrington, IL (US); **Patrick Nally**, Chicago, IL (US); **Trevis Kurz**, Chicago, IL (US); **Bryson Stewart**, Chicago, IL (US)
- (73) Assignee: **Juvo Products, LLC**, Barrington, IL (US)

5,029,357 A	7/1991	Gootoff	
5,044,040 A	9/1991	Tetrault	
5,067,194 A	11/1991	Rosenfeld	
5,630,243 A	5/1997	Federico	
5,875,512 A	3/1999	Lathan	
D428,147 S	7/2000	Wenger	
6,145,154 A	11/2000	Blair	
6,158,077 A	12/2000	Wenger	
D439,977 S *	4/2001	Wenger	D24/133
6,269,516 B1	8/2001	Saatjian	
6,272,716 B1	8/2001	Thornton	
6,507,972 B2	1/2003	Hart	
6,745,427 B1	6/2004	Trenz	
D496,138 S	9/2004	Treacy	
D496,512 S	9/2004	Treacy	
D501,971 S	2/2005	Treacy	
D502,002 S	2/2005	Conway	
6,854,152 B2	2/2005	Loder	
6,875,271 B2	4/2005	Glenn	

(**) Term: **14 Years**

(21) Appl. No.: **29/516,101**

(22) Filed: **Jan. 29, 2015**

(51) **LOC (10) Cl.** **24-02**

(52) **U.S. Cl.**
USPC **D24/133**

(58) **Field of Classification Search**
USPC D24/133, 119; D4/100, 104, 109-111, D4/114, 132, 137, 138; D28/7; D32/45, D32/51; 15/143.1, 144.1, 146, 209.1, 15/210.1, 211, 212, 231, 232, 244.1; 401/6; 294/119.3, 196; 601/137, 138, 601/154, 159, 160; 604/1
CPC . A47K 7/08; A47K 7/04; A47K 11/10; B08B 1/006; A61B 10/007; A61B 10/0048; A61B 2010/0074
See application file for complete search history.

(56) **References Cited**

U.S. PATENT DOCUMENTS

2,456,782 A	12/1948	Hartman
2,666,224 A	1/1954	Adams
4,075,033 A	2/1978	Knox
4,260,186 A	4/1981	Sky-Eagle, Jr.

(Continued)

Primary Examiner — Wan Laymon
Assistant Examiner — Mark Booker
(74) *Attorney, Agent, or Firm* — Fitch, Even, Tabin & Flannery LLP

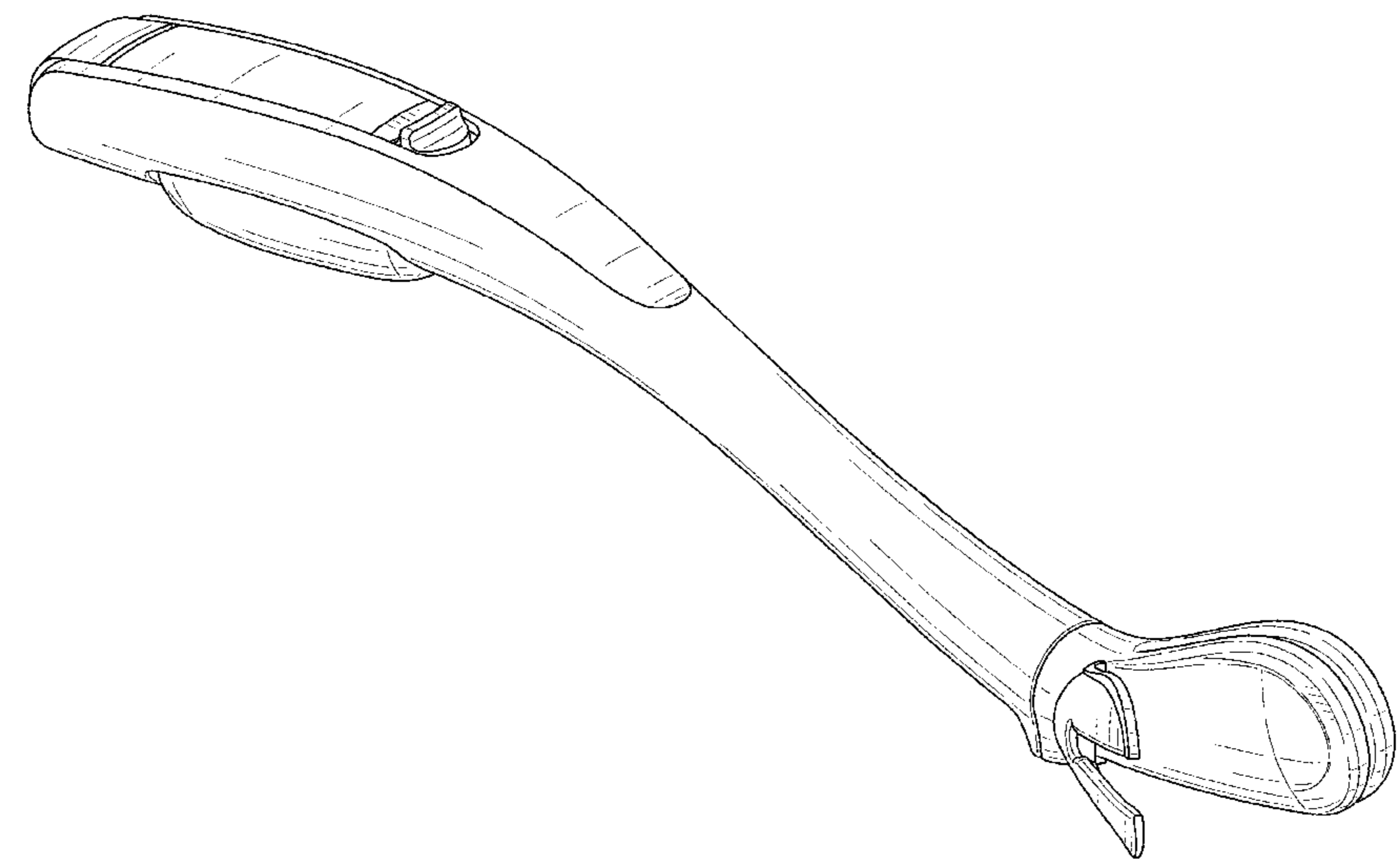
(57) **CLAIM**

We claim the ornamental design for a personal hygiene aid part, as shown and described.

DESCRIPTION

FIG. 1 is a perspective view of a personal hygiene aid part showing our design;
FIG. 2 is a left side elevation view thereof;
FIG. 3 is a right side elevation view thereof;
FIG. 4 is a front side elevation view thereof;
FIG. 5 is a rear side elevation view thereof;
FIG. 6 is a top side elevation view thereof; and,
FIG. 7 is a bottom side elevation view thereof.
The broken lines shown in the figures represent portions of the personal hygiene aid part that form no part of the claimed design.

1 Claim, 4 Drawing Sheets



(56)

References Cited

U.S. PATENT DOCUMENTS

7,065,825	B2 *	6/2006	Minkler	A47K 11/10 15/147.1
7,249,392	B1	7/2007	Paille	
7,249,398	B2	7/2007	Roy	
7,287,295	B2	10/2007	Treacy	
7,424,764	B2	9/2008	Trenz	
D578,648	S	10/2008	Wood	
D632,476	S *	2/2011	Owens	D3/17
8,122,558	B1	2/2012	Gary	
8,151,400	B2	4/2012	McCoy	
8,341,796	B1	1/2013	Rhee	
D679,003	S *	3/2013	Jupin	D24/119
8,443,480	B2	5/2013	Zaytoun, Jr.	
8,789,232	B2	7/2014	Sullivan	
8,875,337	B2	11/2014	Tacoma	
2004/0237239	A1	12/2004	Savell	
2005/0066465	A1 *	3/2005	Minkler	A47L 13/16 15/210.1
2005/0160548	A1	7/2005	Girimont	
2008/0028557	A1	2/2008	Klaes	
2011/0258800	A1	10/2011	McCoy	
2012/0204372	A1	8/2012	Kelly et al.	
2014/0037363	A1 *	2/2014	Sullivan	A47K 7/08 401/267
2014/0060576	A1	3/2014	Nelson	

* cited by examiner

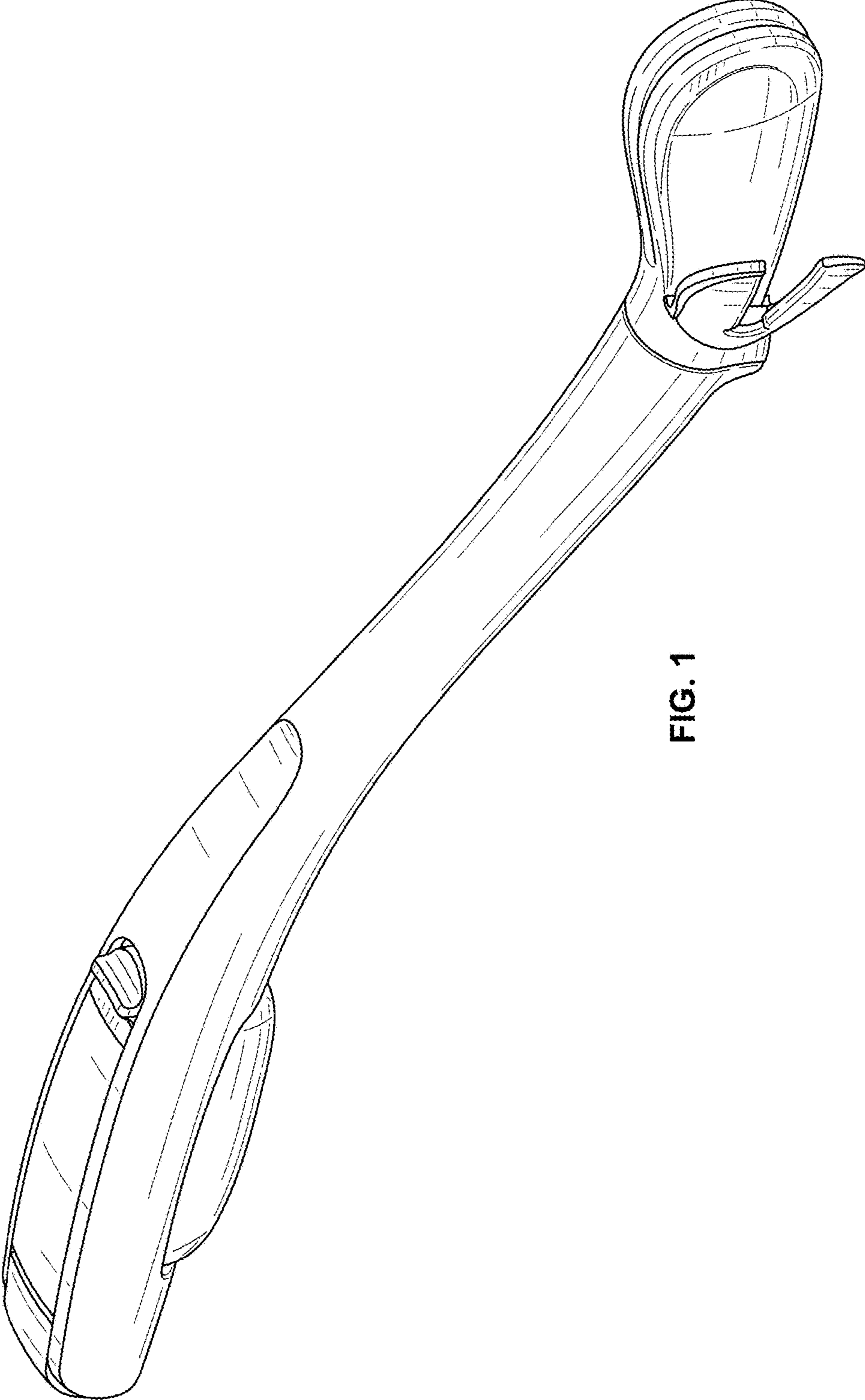


FIG. 1

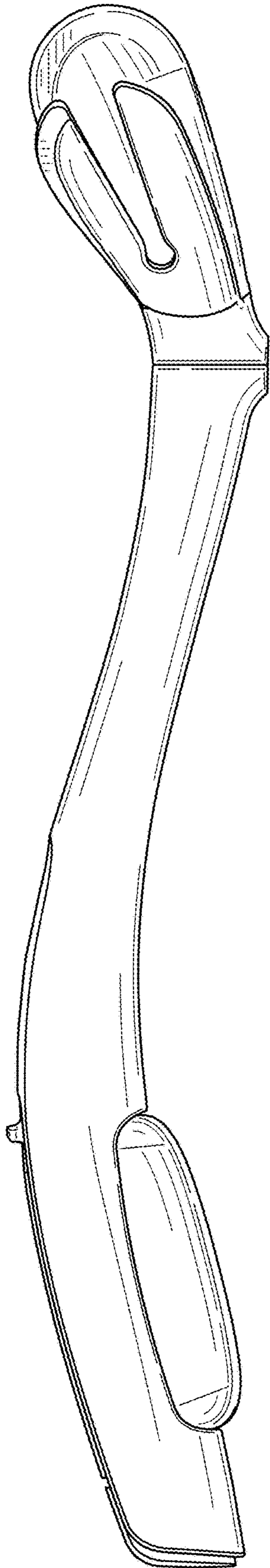


FIG. 2

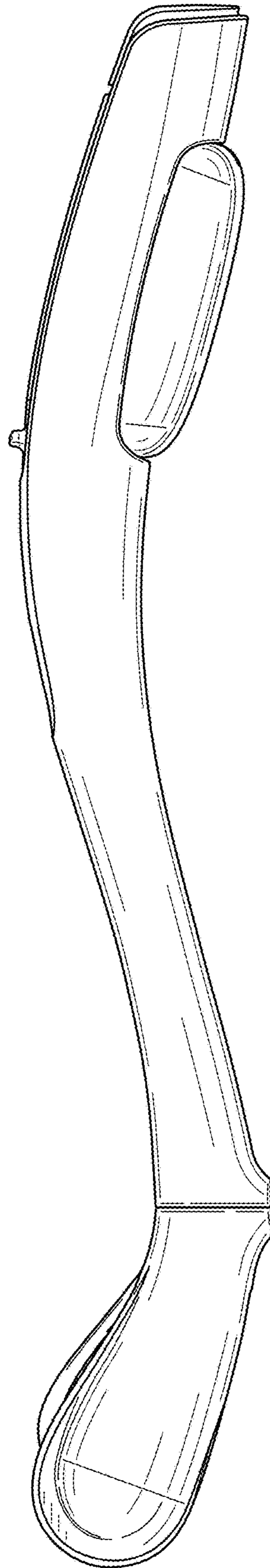


FIG. 3

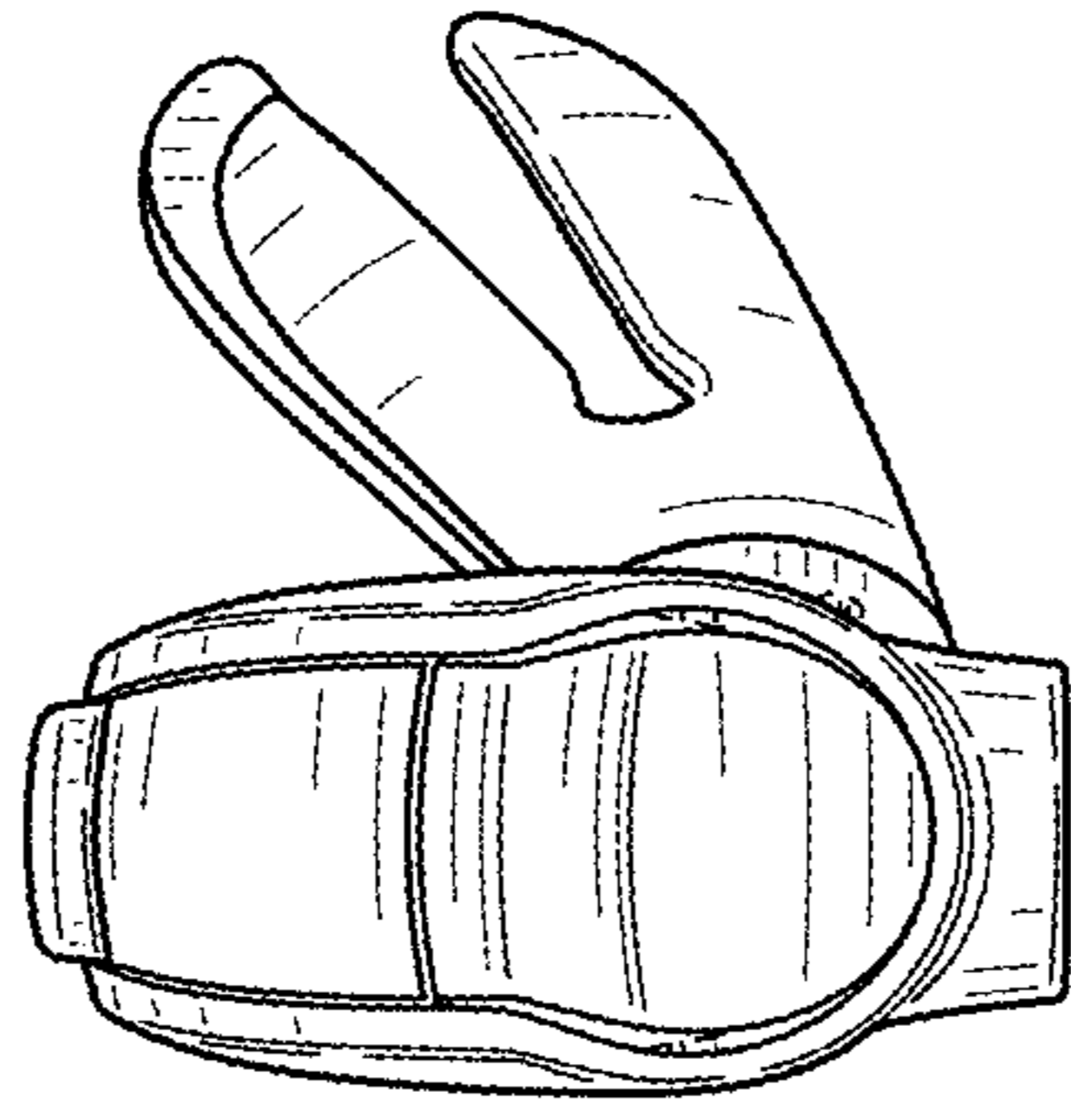


FIG. 5

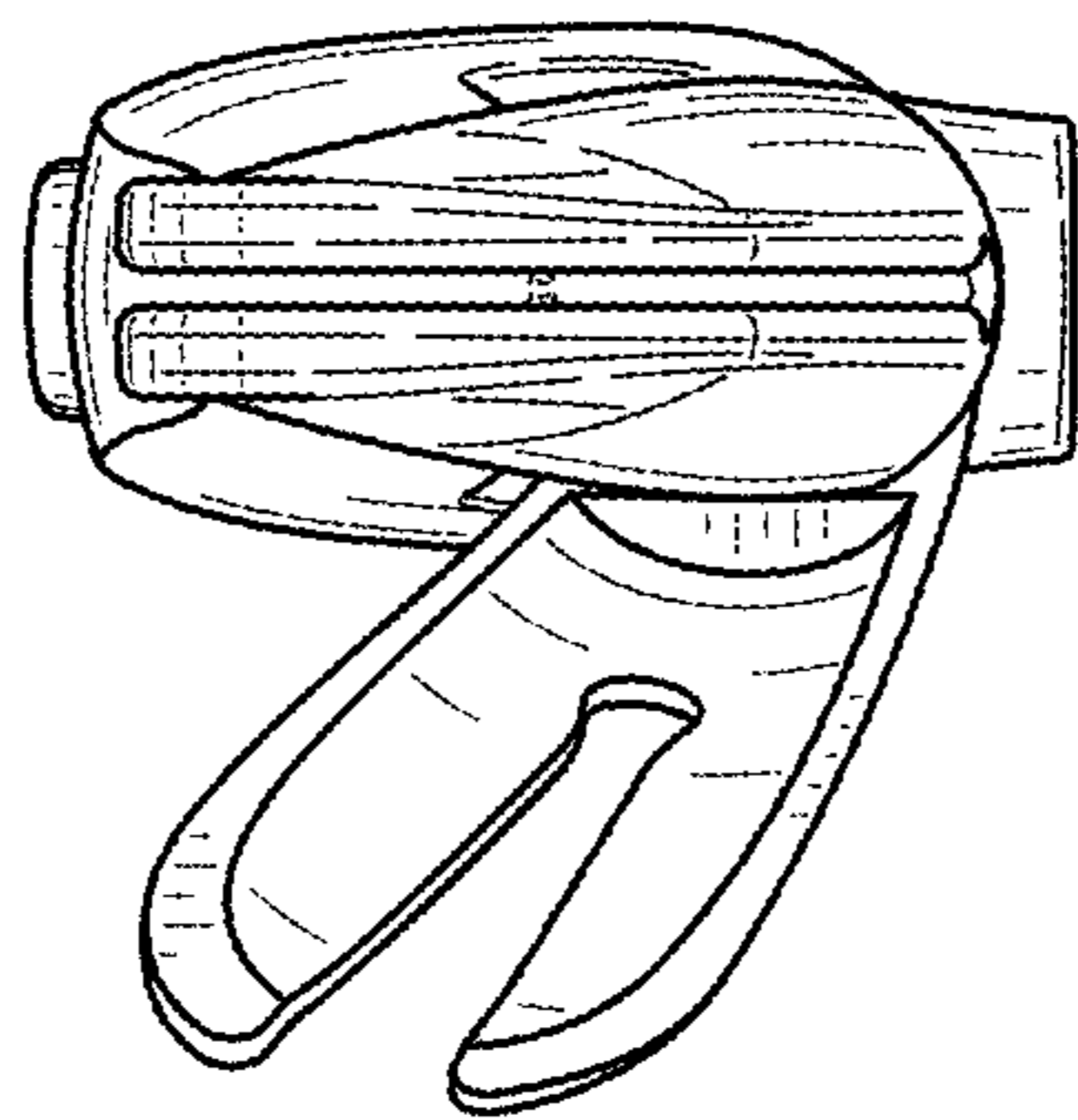


FIG. 4

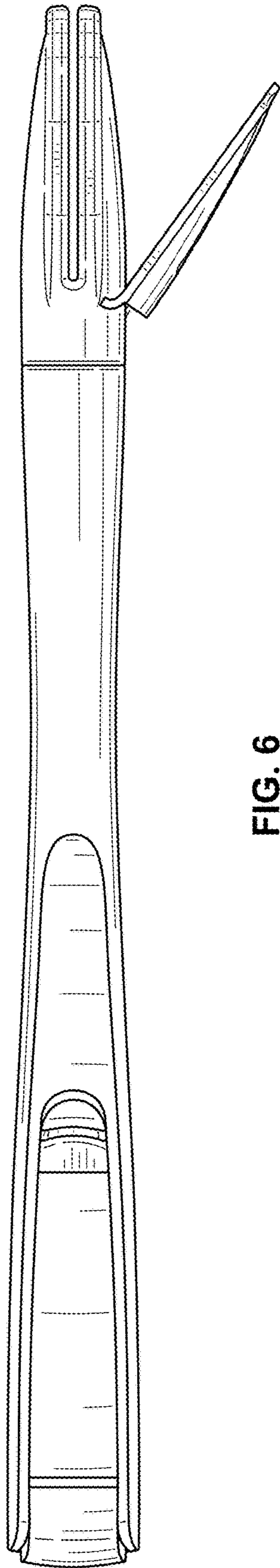


FIG. 6

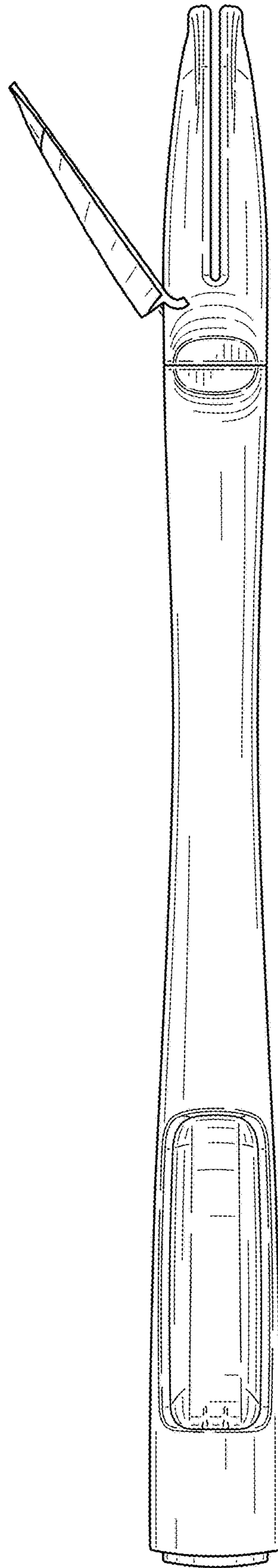


FIG. 7