



US00D792586S

(12) **United States Design Patent** (10) **Patent No.:** **US D792,586 S**
Becker (45) **Date of Patent:** **** Jul. 18, 2017**

(54) **ENTERAL FEEDING CONNECTOR FEMALE COMPONENT**

(71) Applicant: **Fresenius Kabl Deutschland GmbH**,
Bad Homburg (DE)

(72) Inventor: **Michael Becker**, Knittlingen (DE)

(73) Assignee: **Fresenius Kabi Deutschland GmbH**,
Bad Homburg (DE)

(**) Term: **15 Years**

(21) Appl. No.: **29/545,146**

(22) Filed: **Nov. 10, 2015**

(30) **Foreign Application Priority Data**

May 18, 2015 (EP) 002702597

(51) **LOC (10) Cl.** **14-04**

(52) **U.S. Cl.**
USPC **D24/129**

(58) **Field of Classification Search**
USPC D24/107, 108, 112, 127, 129; D23/262
CPC A61M 39/10; A61M 39/1011
See application file for complete search history.

(56) **References Cited**

U.S. PATENT DOCUMENTS

- 4,894,056 A * 1/1990 Bommarito A61M 25/0017
604/159
- D314,050 S * 1/1991 Sone D24/129
- D679,009 S * 3/2013 Amborn D24/129
- D757,259 S * 5/2016 Duck D24/129
- 2012/0022457 A1 * 1/2012 Silver A61M 39/1011
604/187

- 2015/0119855 A1* 4/2015 Khalaj A61M 39/10
604/513
- 2016/0030293 A1* 2/2016 Dorsey A61J 15/0096
604/506
- 2016/0089528 A1* 3/2016 Schuessler A61M 39/10
604/535

* cited by examiner

Primary Examiner — Richelle G Shelton

(74) *Attorney, Agent, or Firm* — Cook Alex Ltd.

(57) **CLAIM**

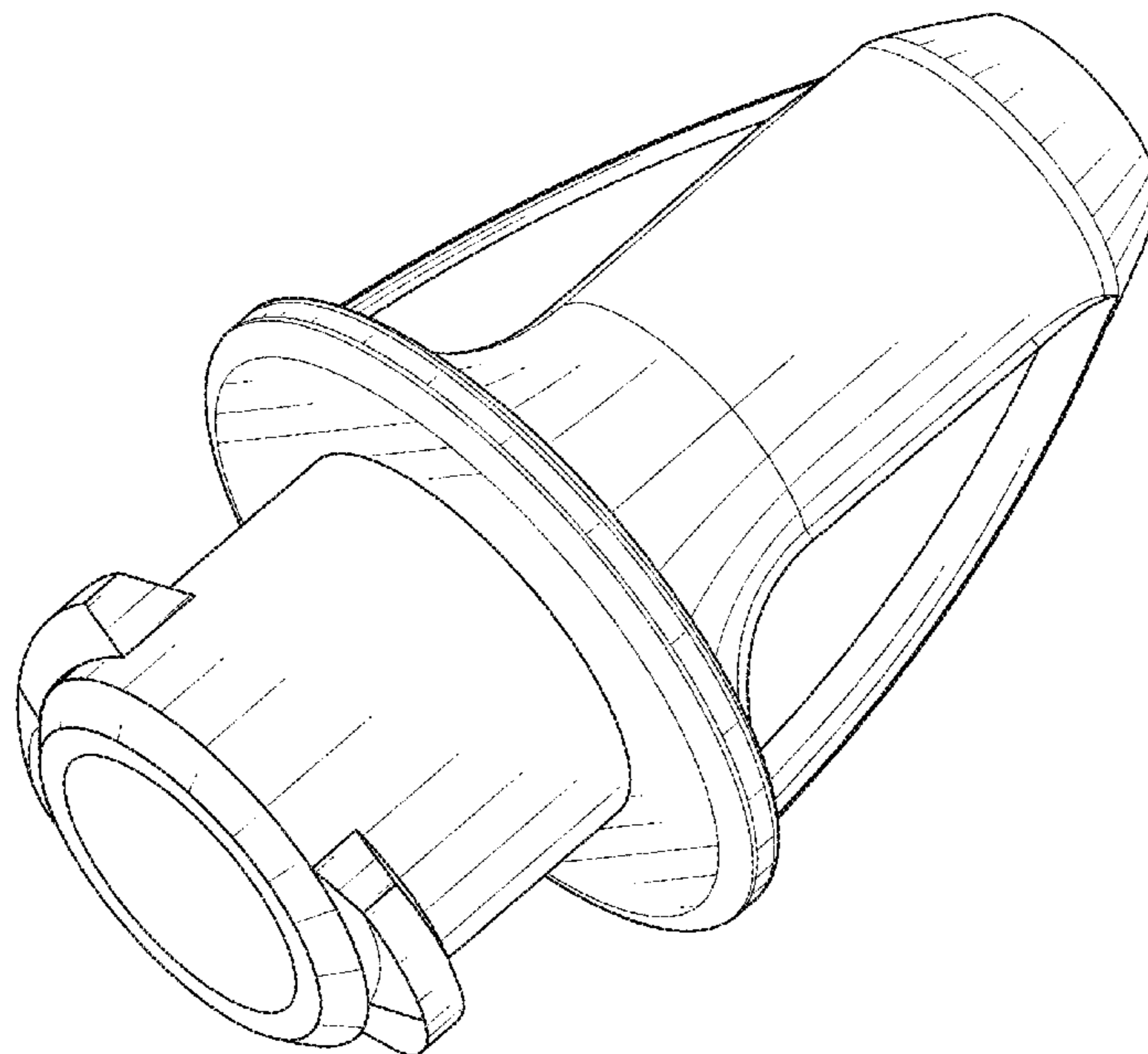
The ornamental design for an enteral feeding connector female component, as shown and described.

DESCRIPTION

FIG. 1 is a perspective view of an enteral feeding connector female component showing my new design;
 FIG. 2 is a front view of the enteral feeding connector female component of FIG. 1;
 FIG. 3 a back view of the enteral feeding connector female component of FIG. 1;
 FIG. 4 is an elevational end view of the enteral feeding connector female component taken from the right-hand side of FIG. 2;
 FIG. 5 is an elevational end view of the enteral feeding connector female component taken from the left-hand side of FIG. 2;
 FIG. 6 is a top view of the enteral feeding connector female component of FIG. 2; and,
 FIG. 7 is a bottom view of the enteral feeding connector female component of FIG. 2.

The outermost broken line represents the bounds of the claimed design while all other broken lines are directed to portions of the article excluded from the claim. The broken line disclosure forms no part of the claimed design.

1 Claim, 7 Drawing Sheets



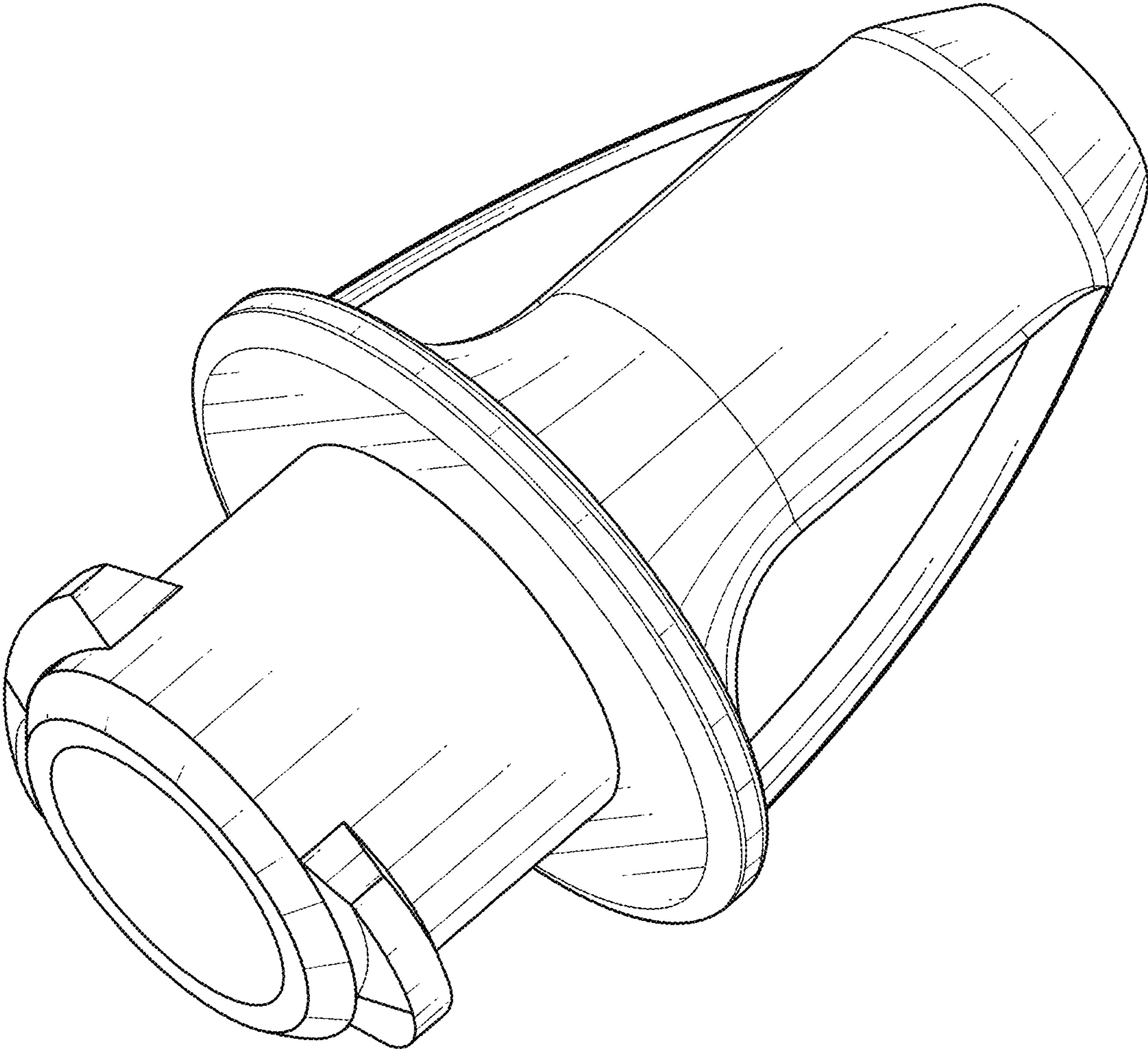


FIG. 1

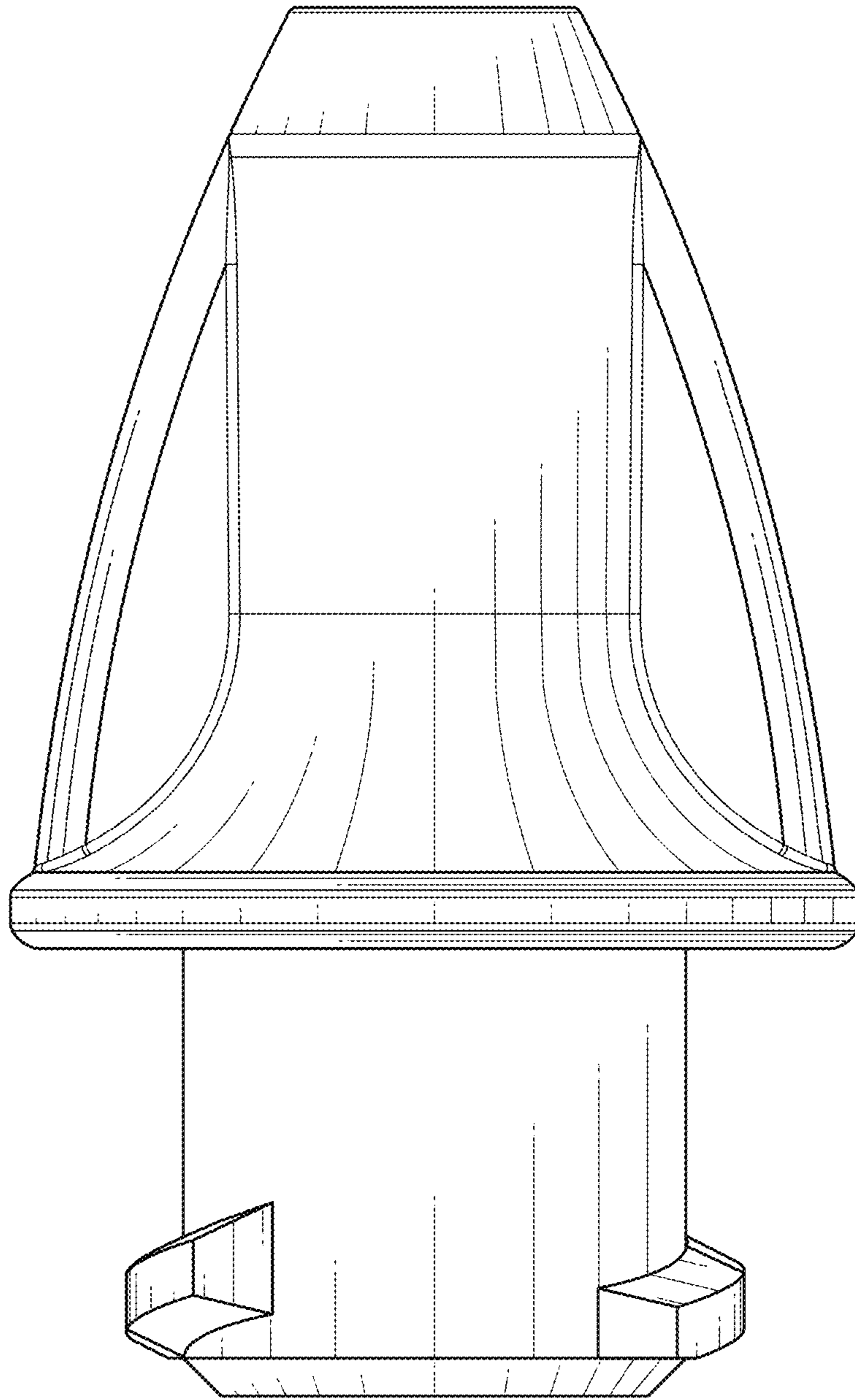


FIG. 2

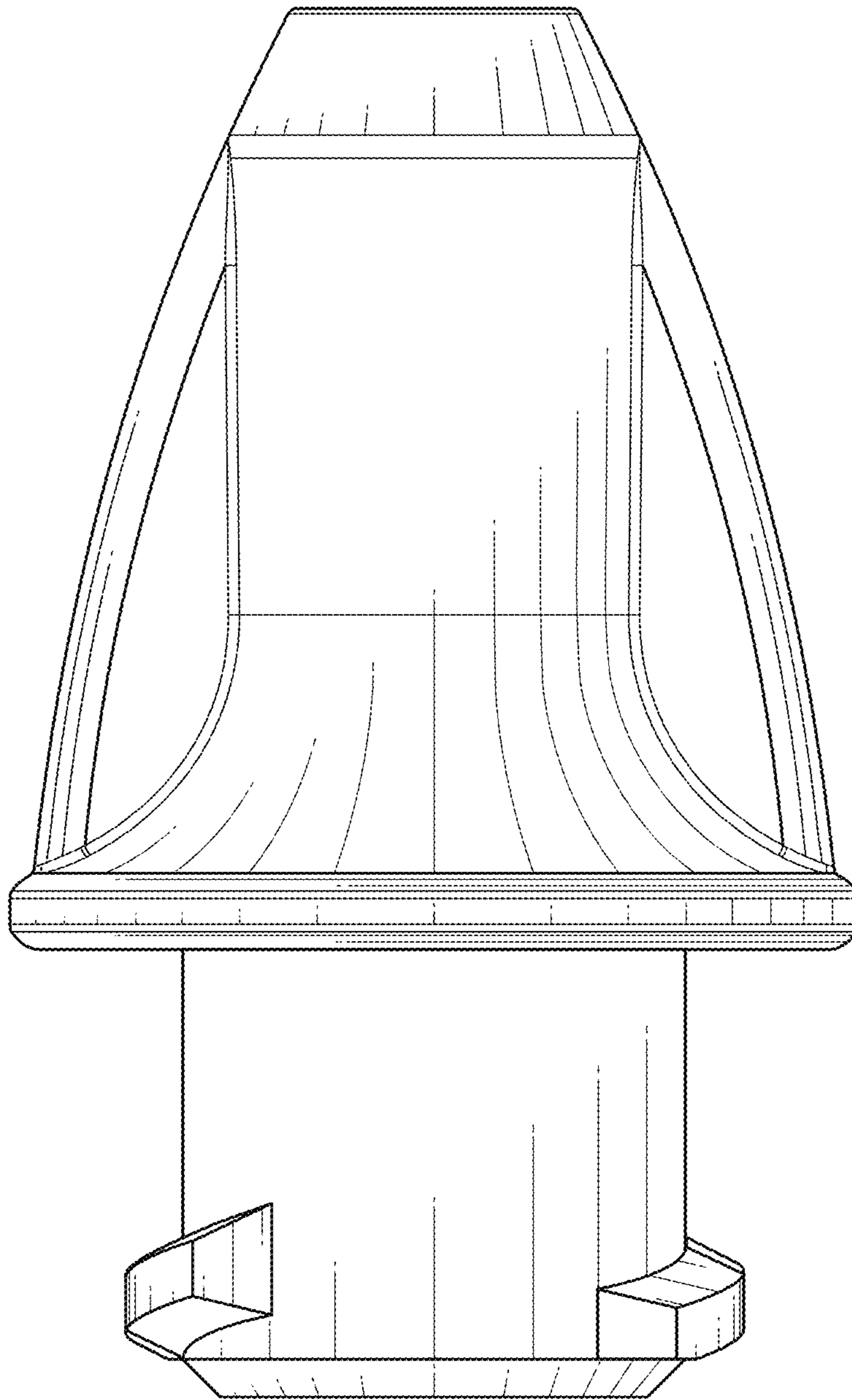


FIG. 3

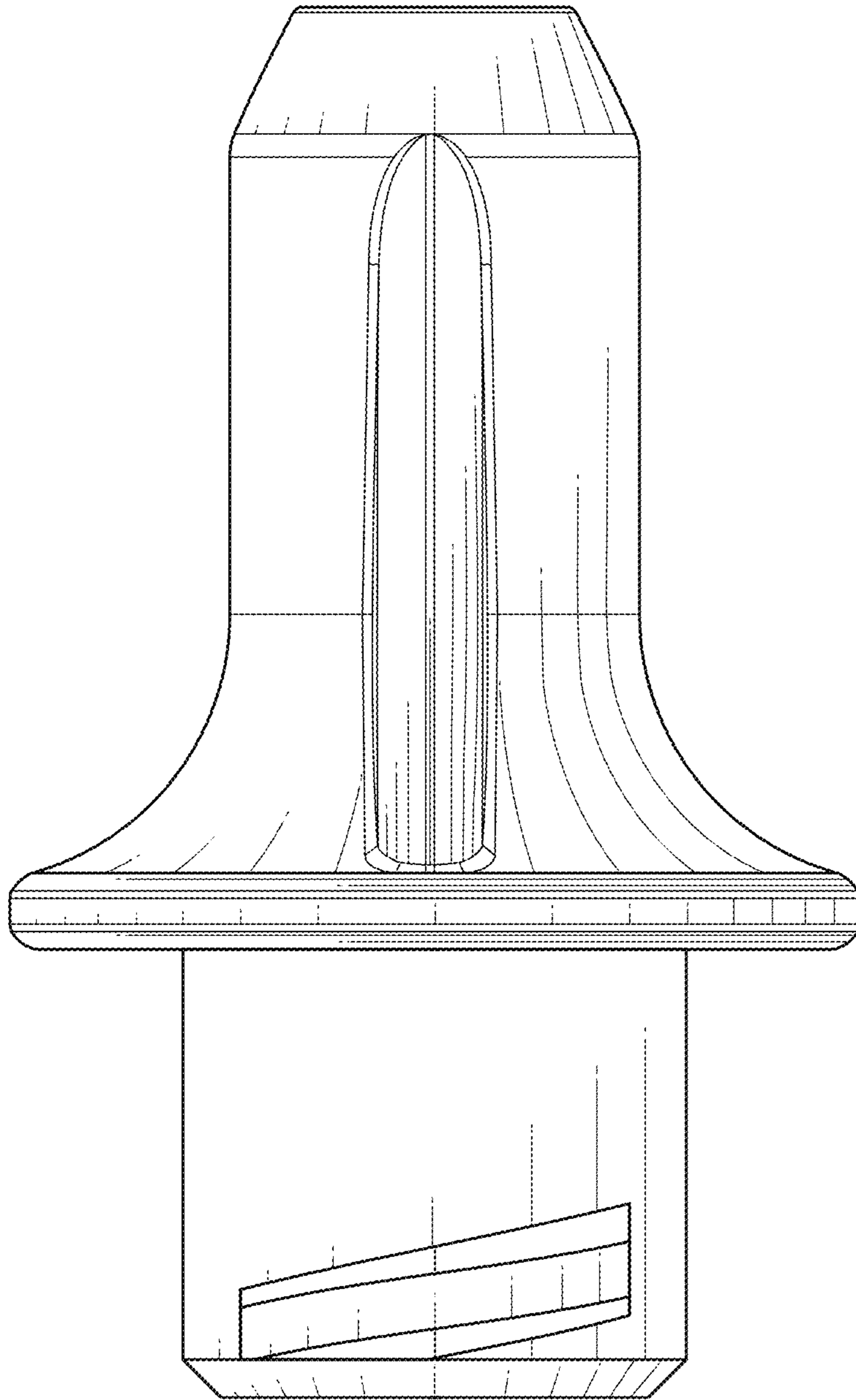


FIG. 4

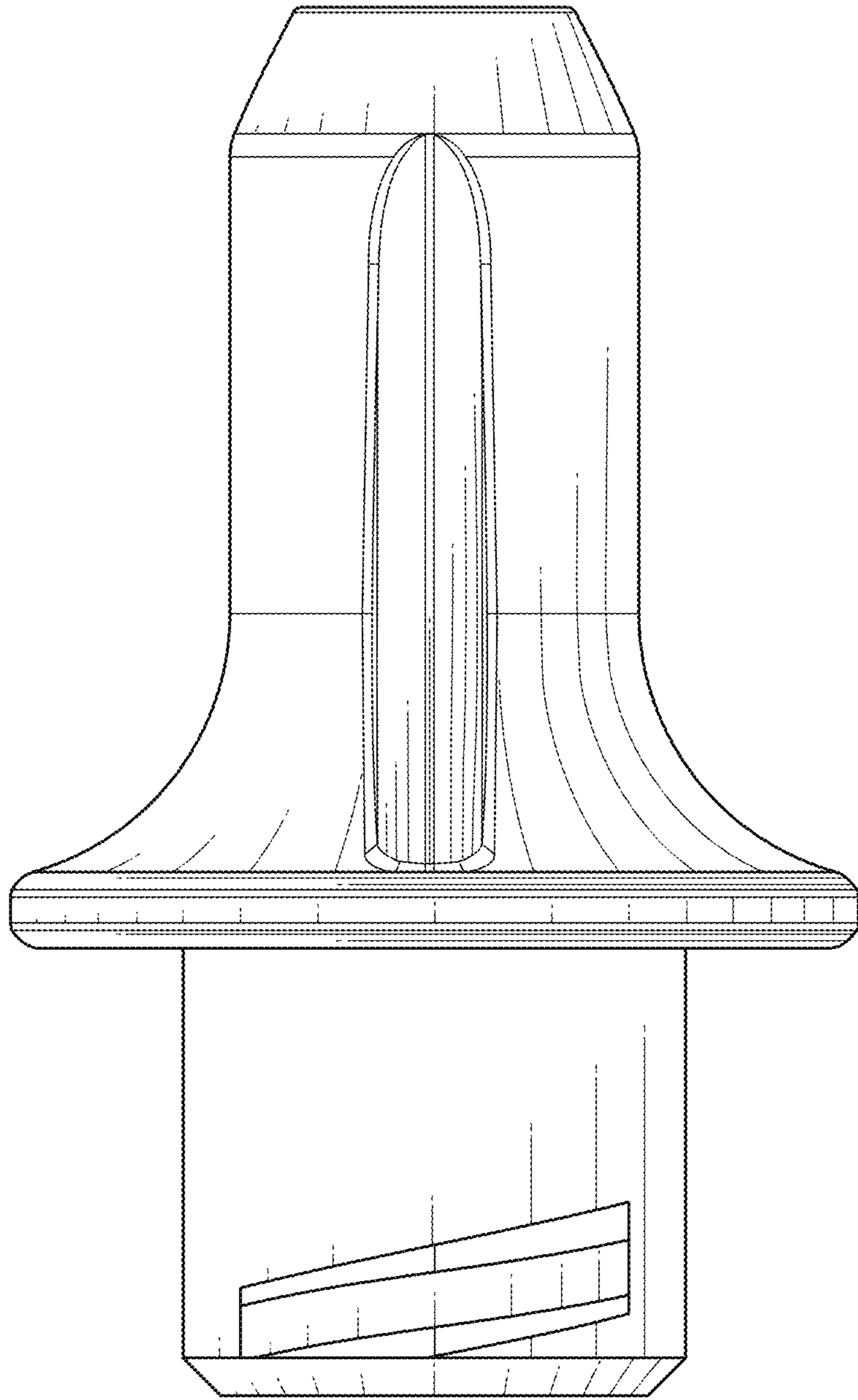


FIG. 5

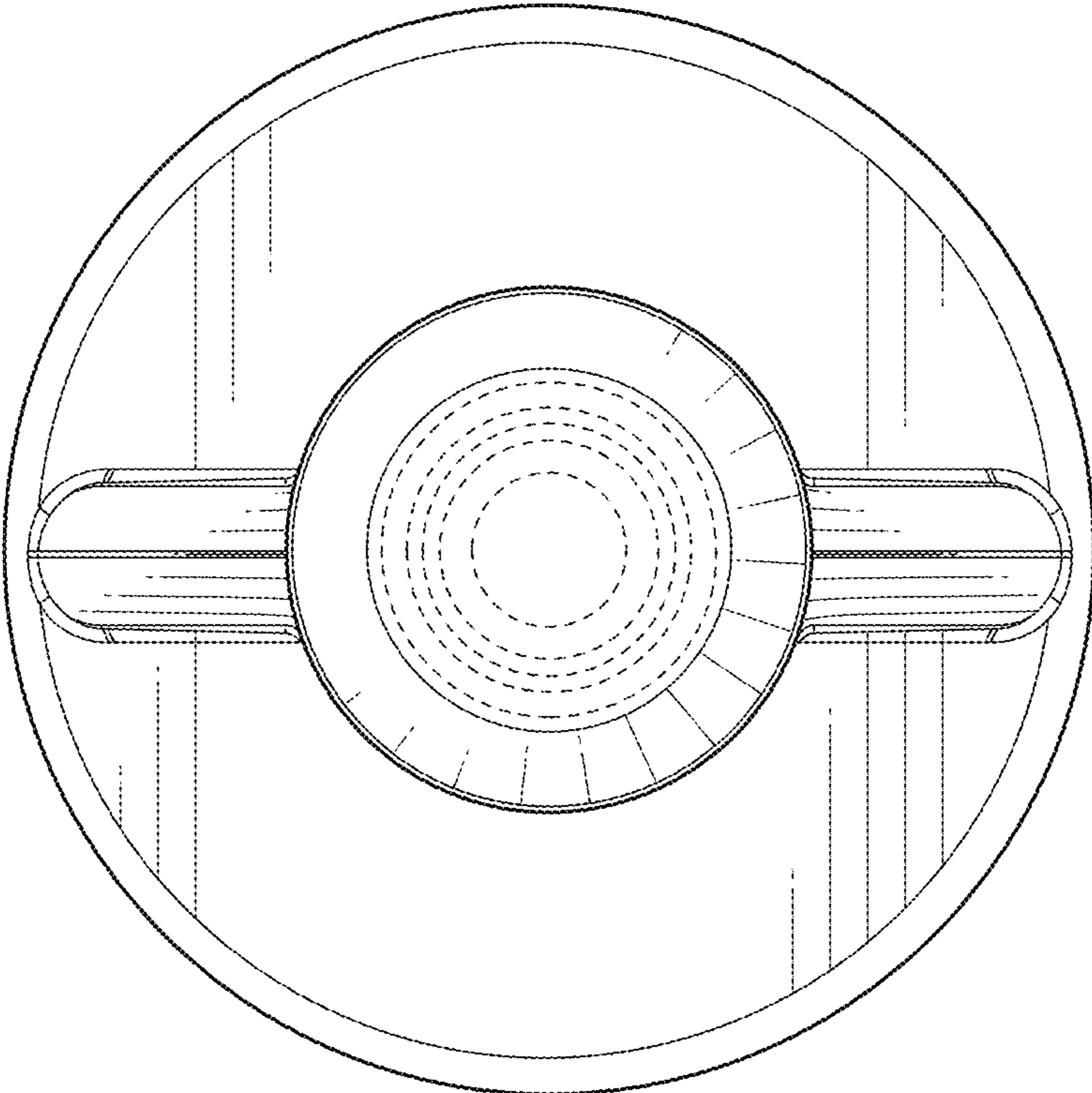


FIG. 6

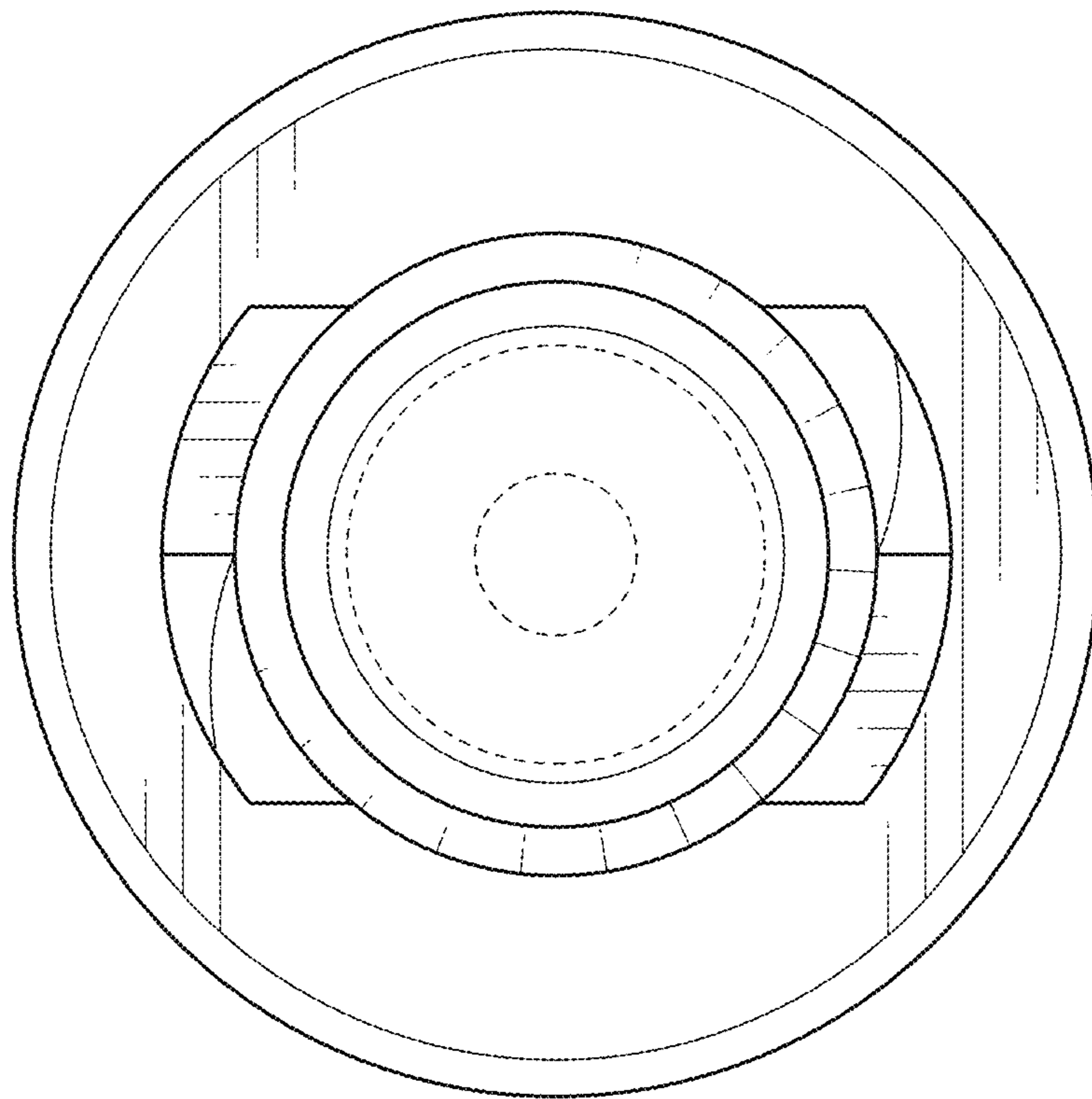


FIG. 7